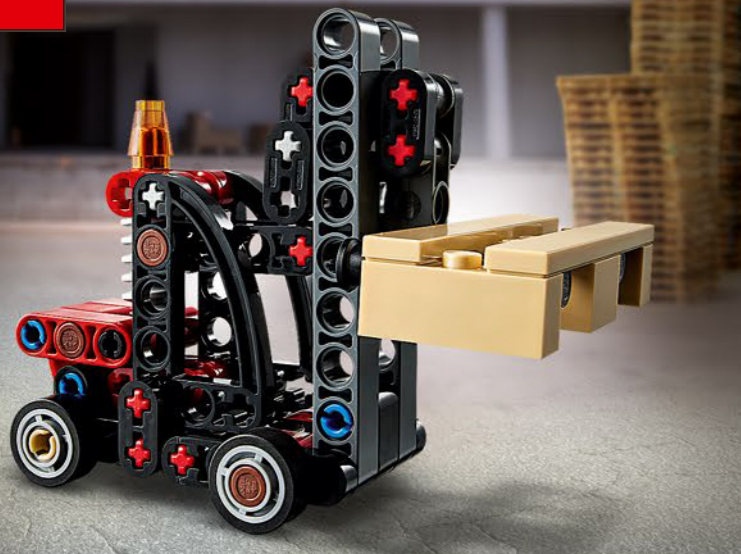




TECHNIC

30655



6443002

LEGO.com/technic

LEGO.com/service

LEGO and the LEGO logo are trademarks of the LEGO Group. ©2023 The LEGO Group. 6443002

1:1

1

2

3

4

5

6

7

1

2

3

8

9

10

11

12

13

14

15

16

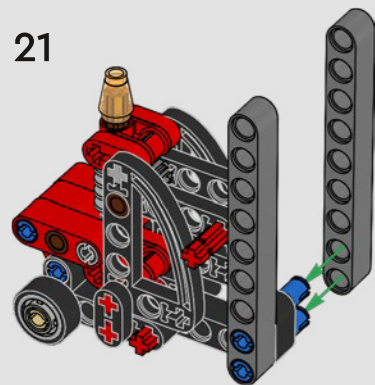
17

18

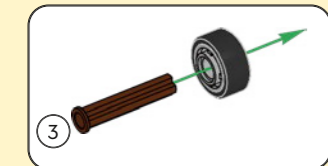
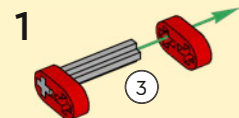
19

20

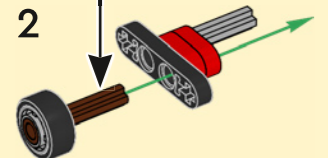
21



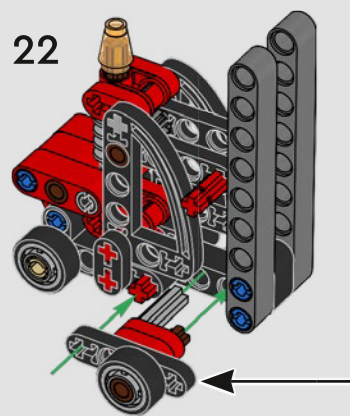
1



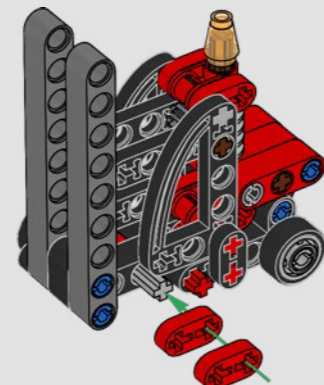
2



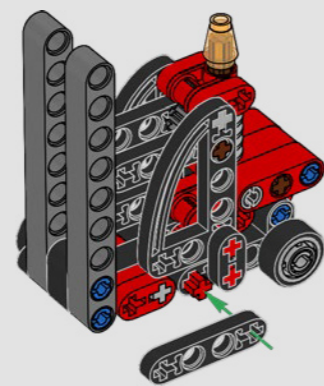
22



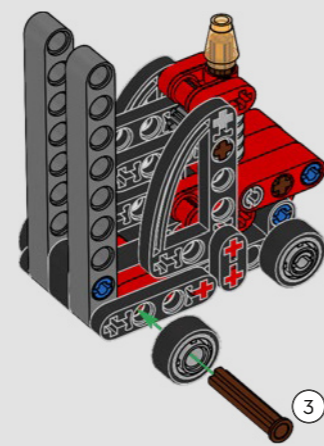
23



24



25



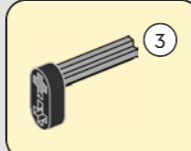
26



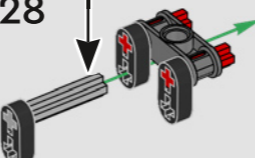
27



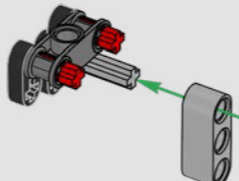
28



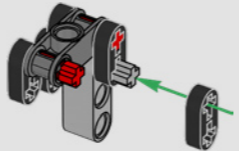
29



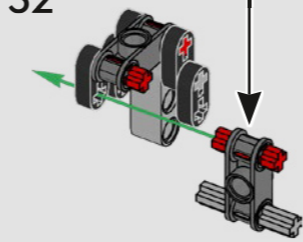
30



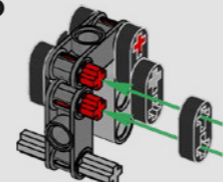
31



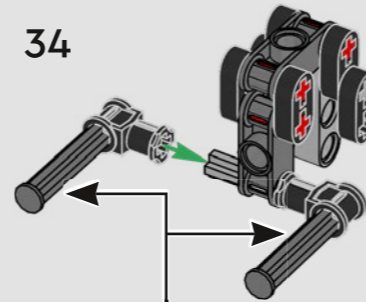
32



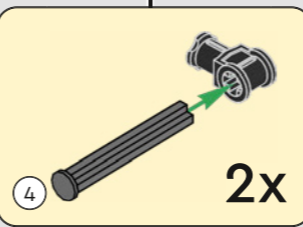
33



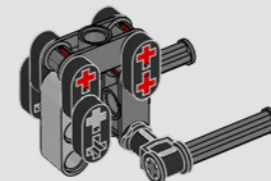
34



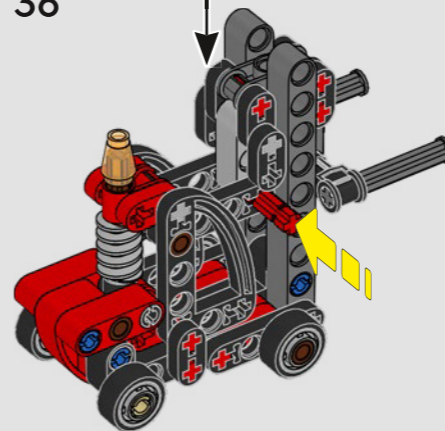
4



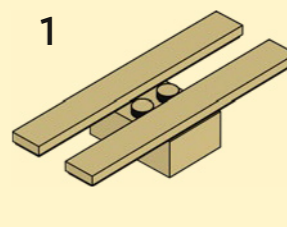
35



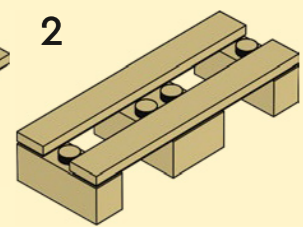
36



1



2



37

