

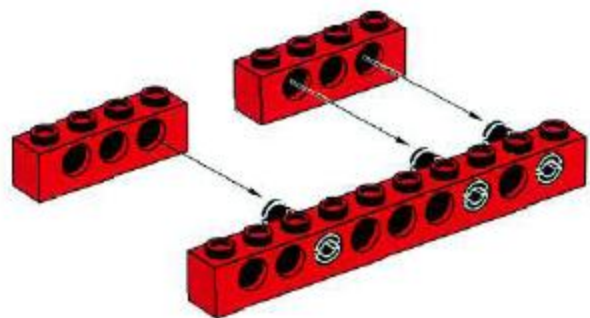
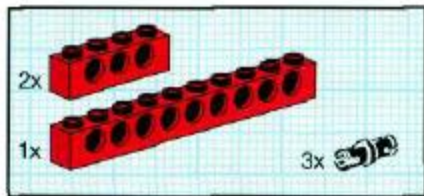
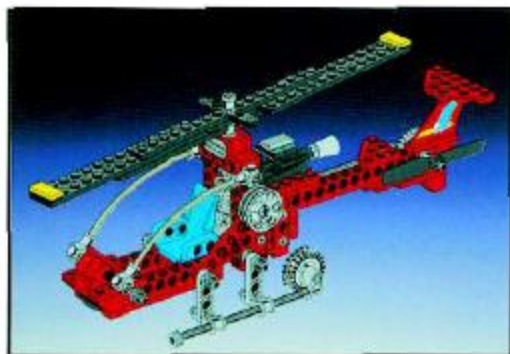
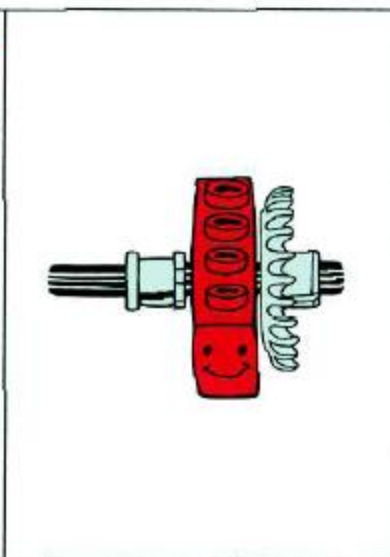
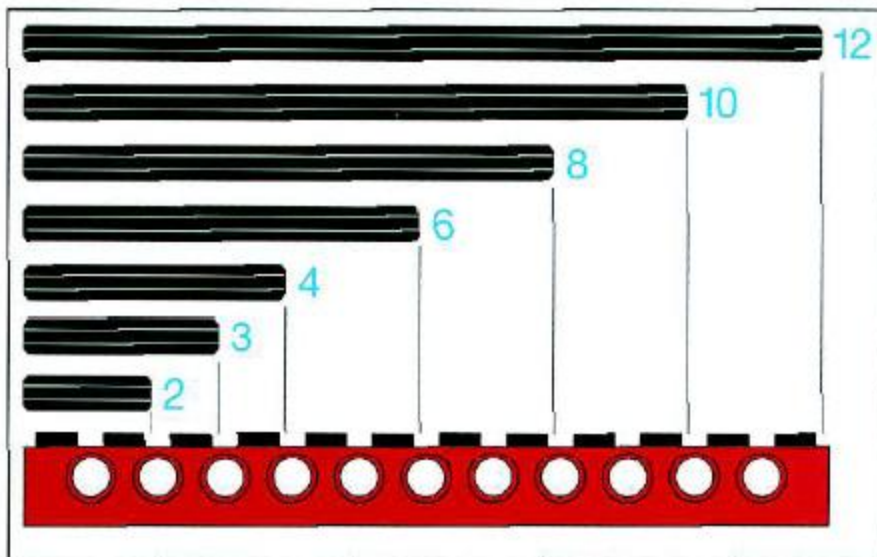


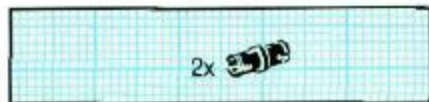
TECHNIC



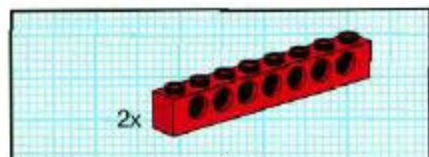
8429

4193716

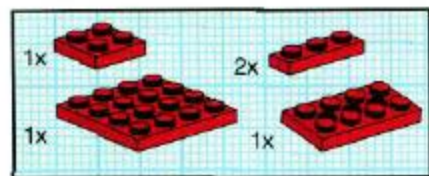




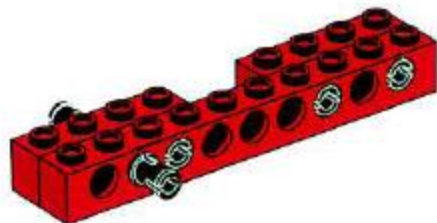
2

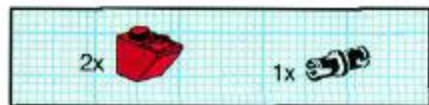


3

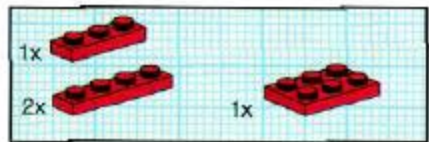
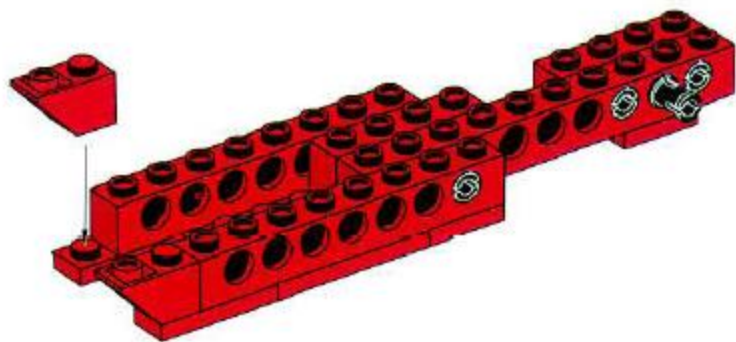


4

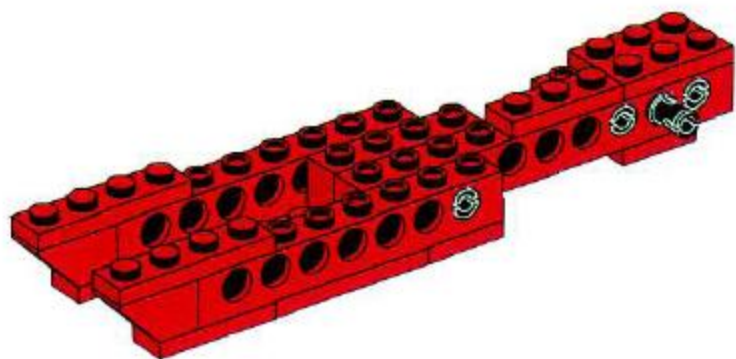


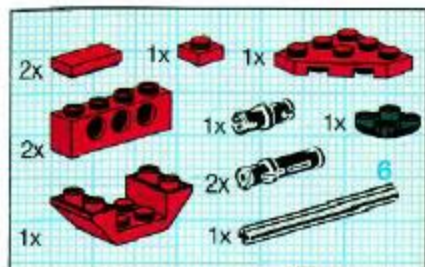


5

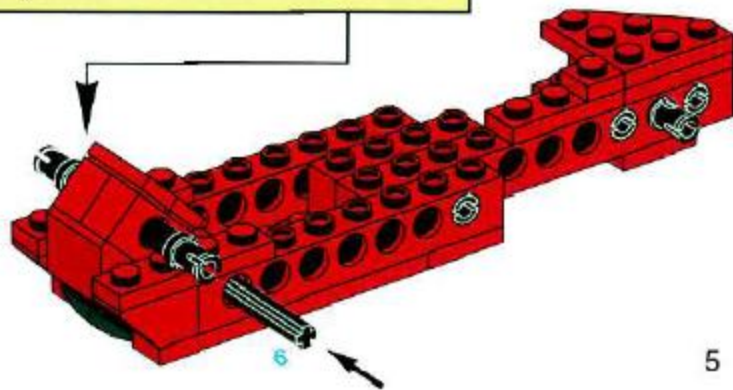
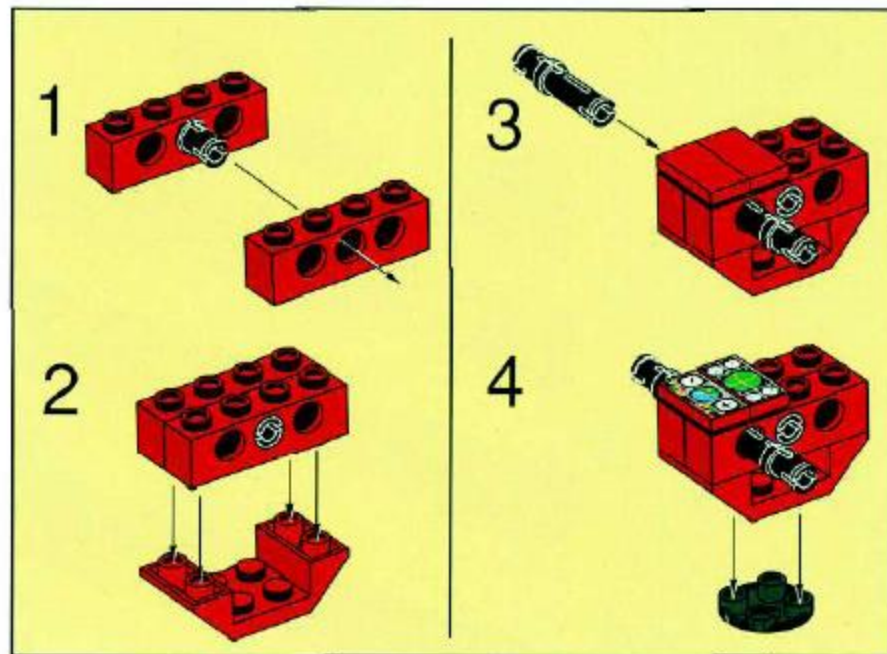


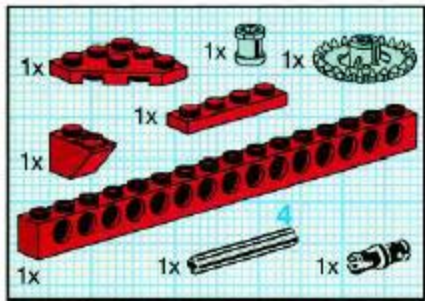
6



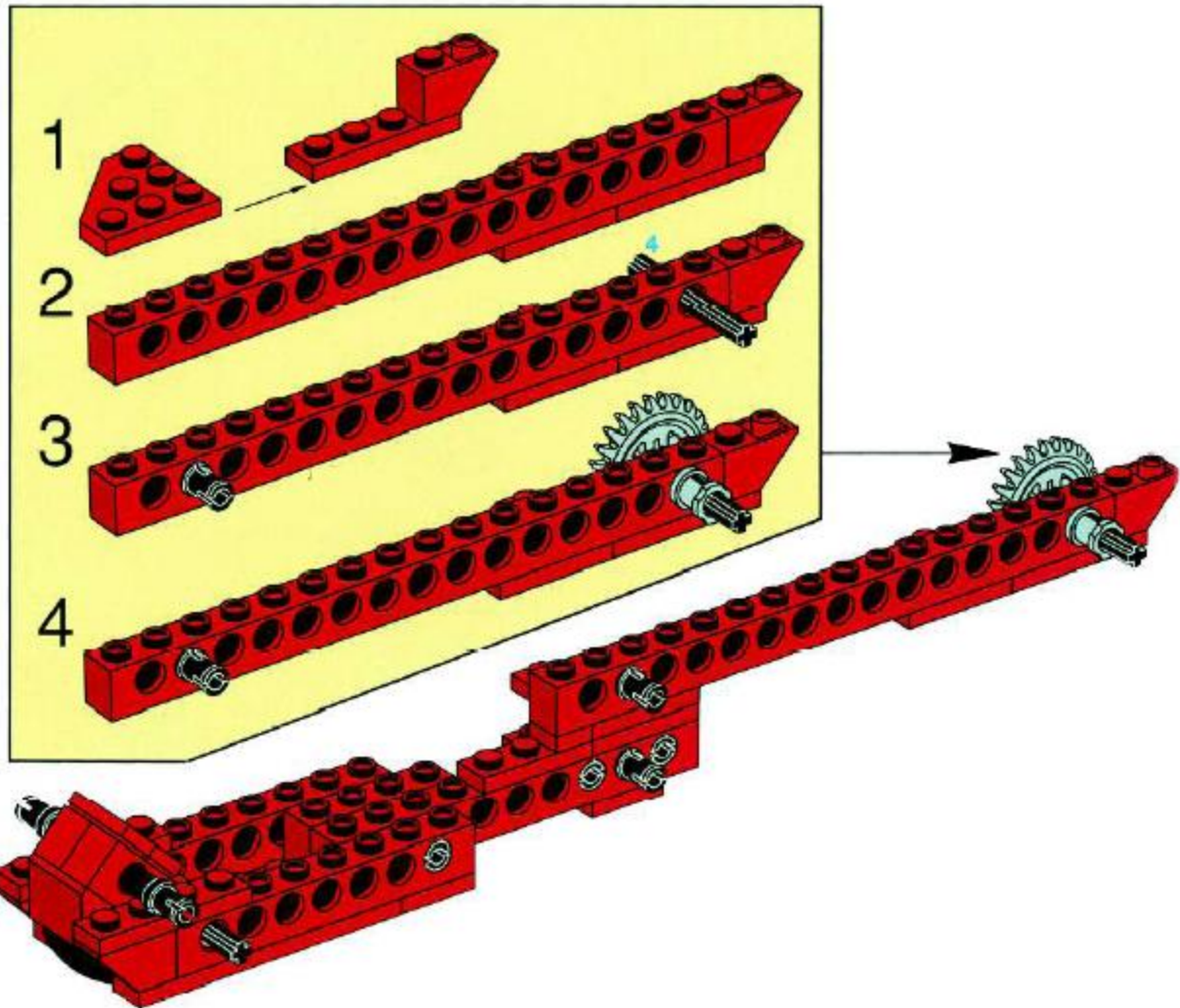


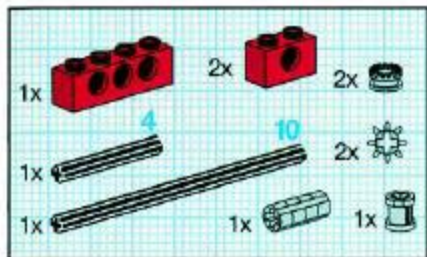
7



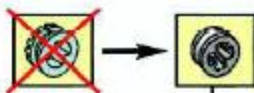
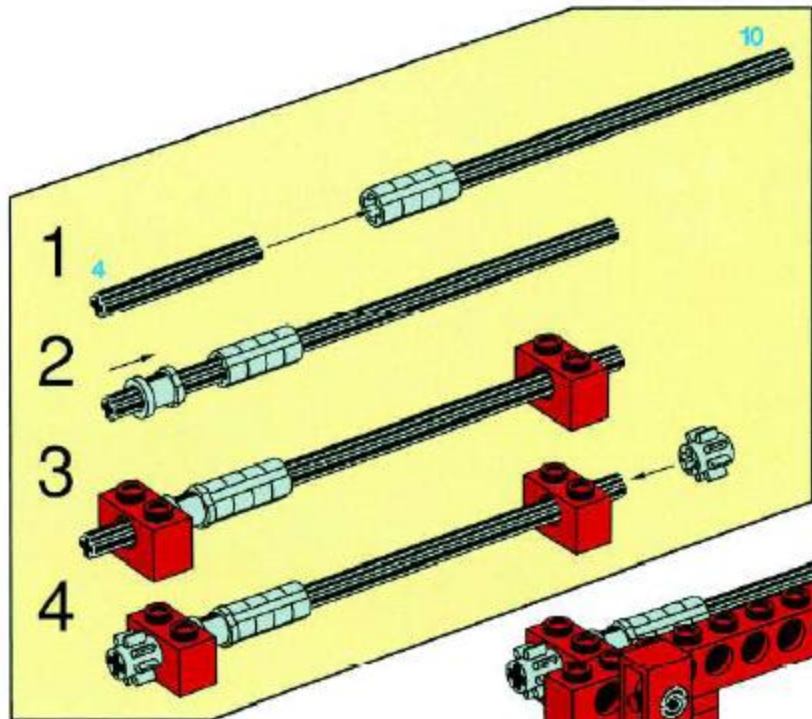


8

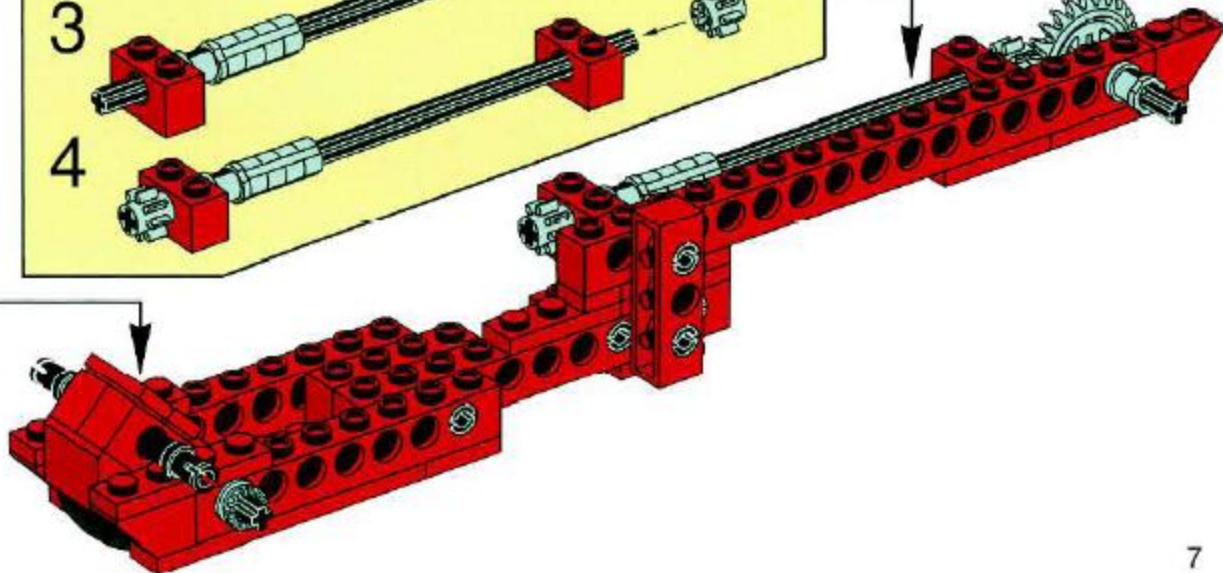


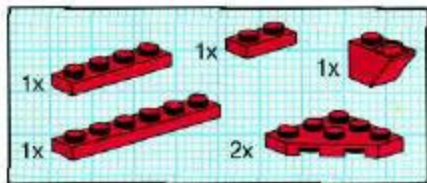


9

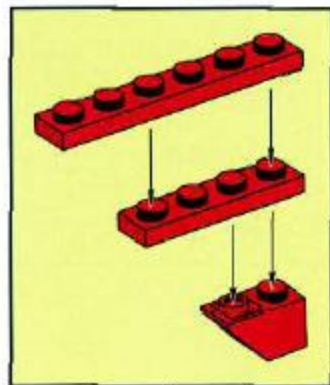
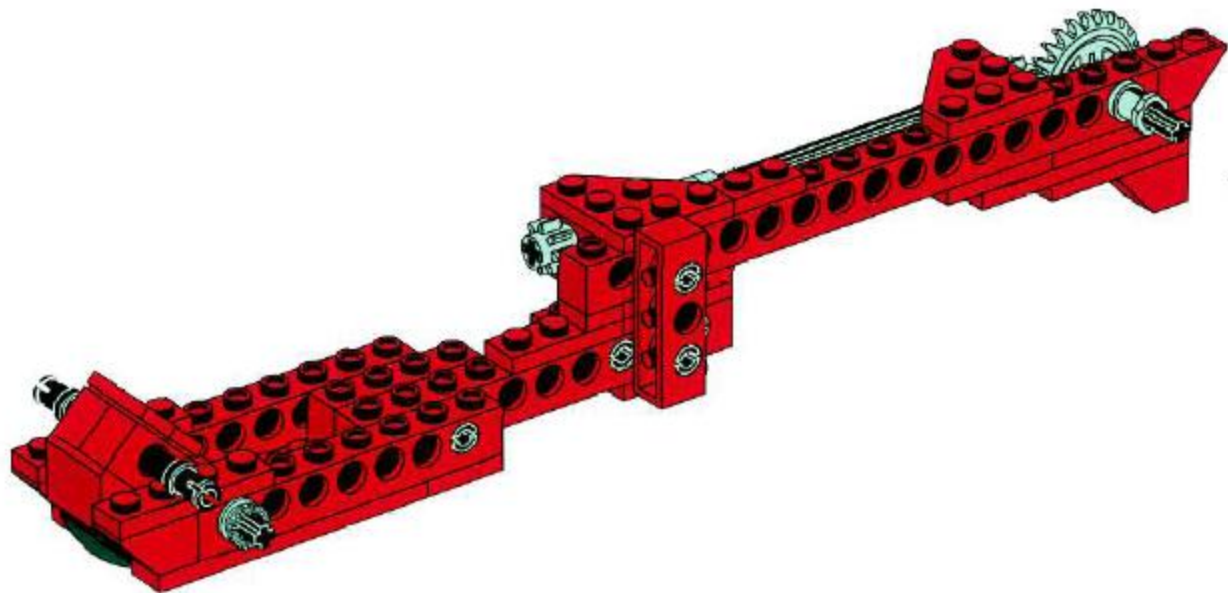


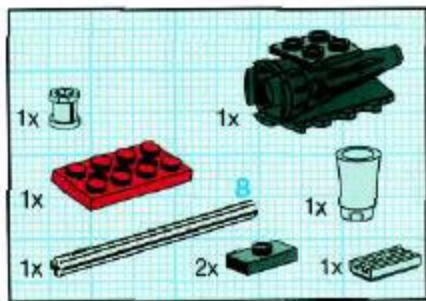
+ no. 15 - 19 - 20 - 21



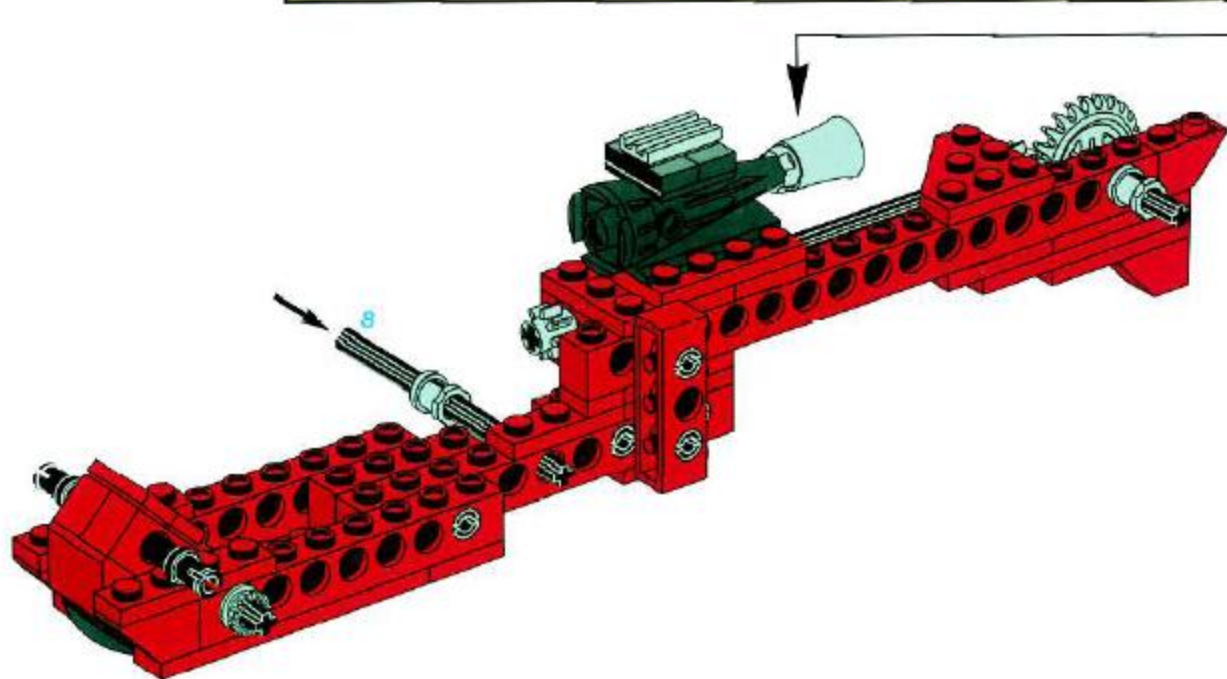
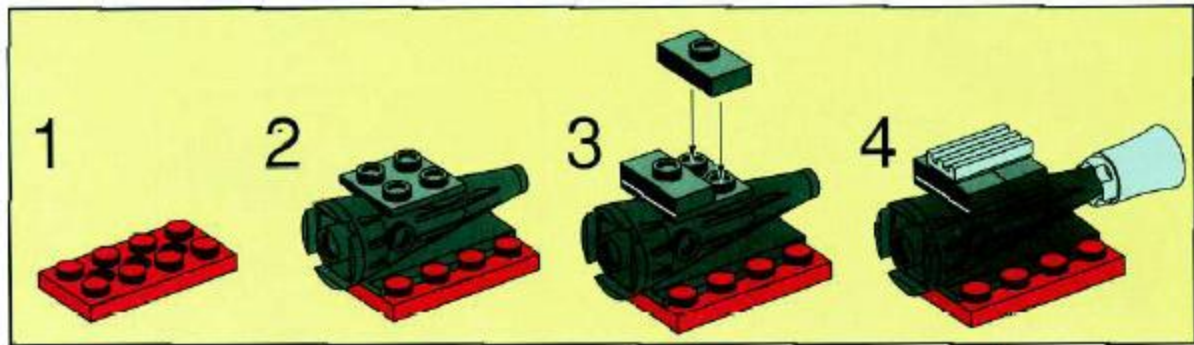


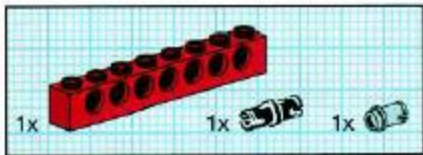
10



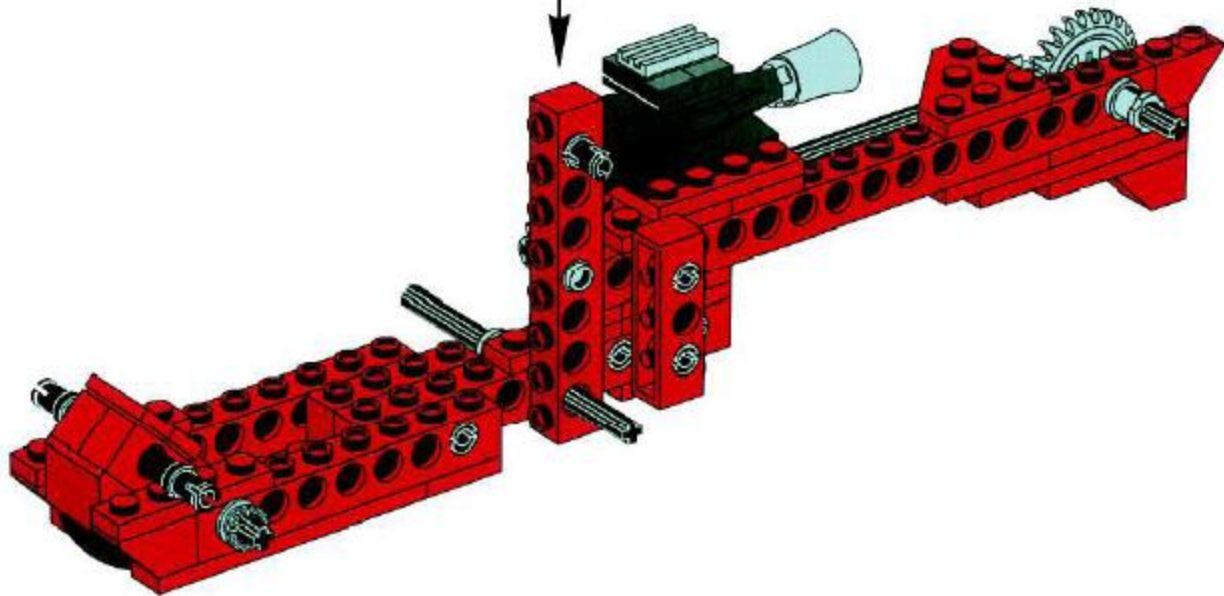
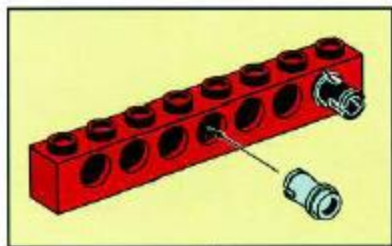


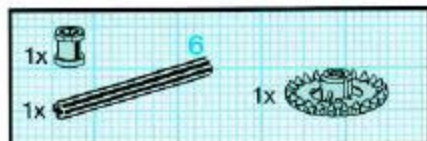
11



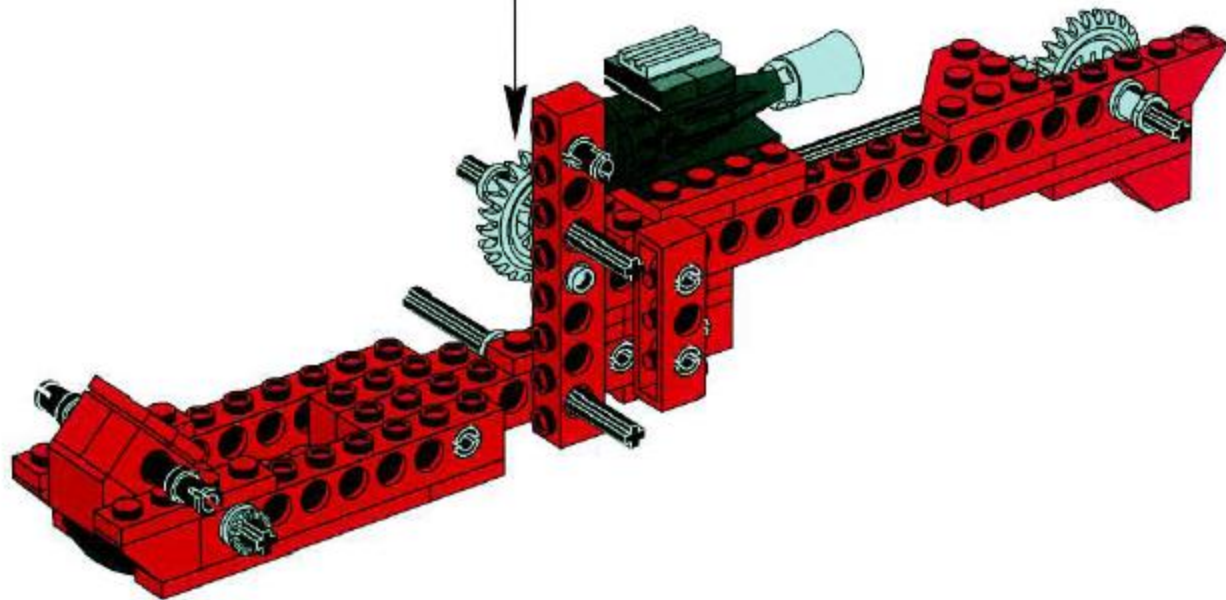
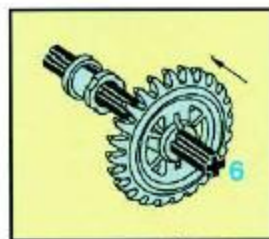


12



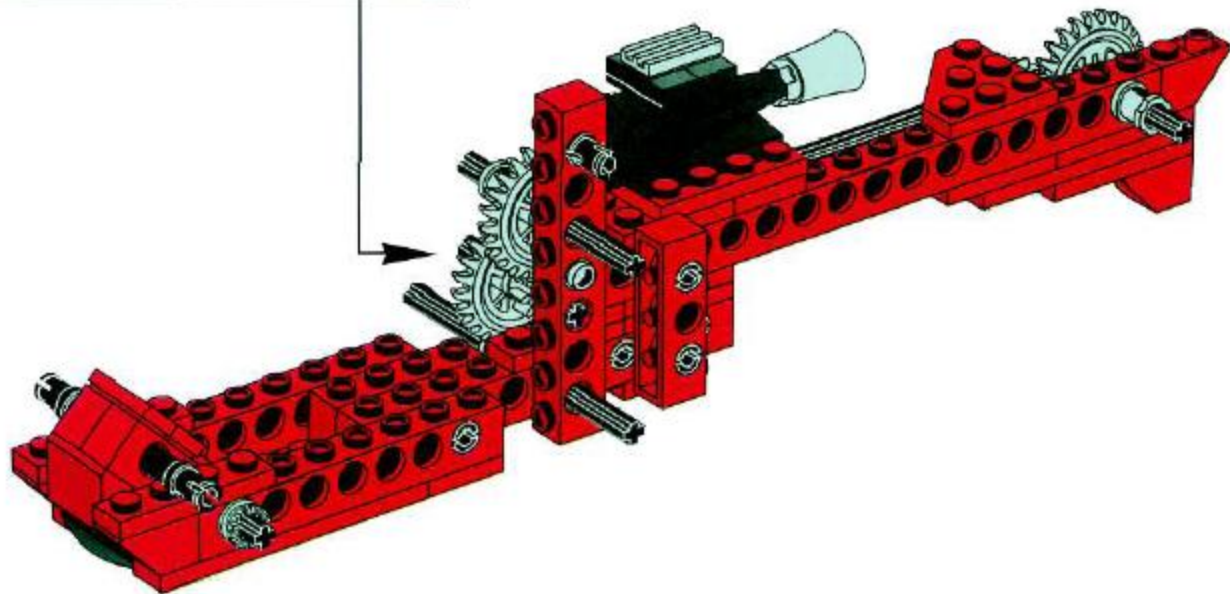
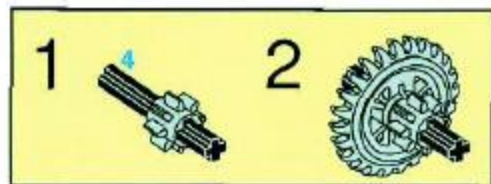


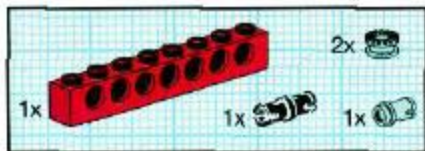
13



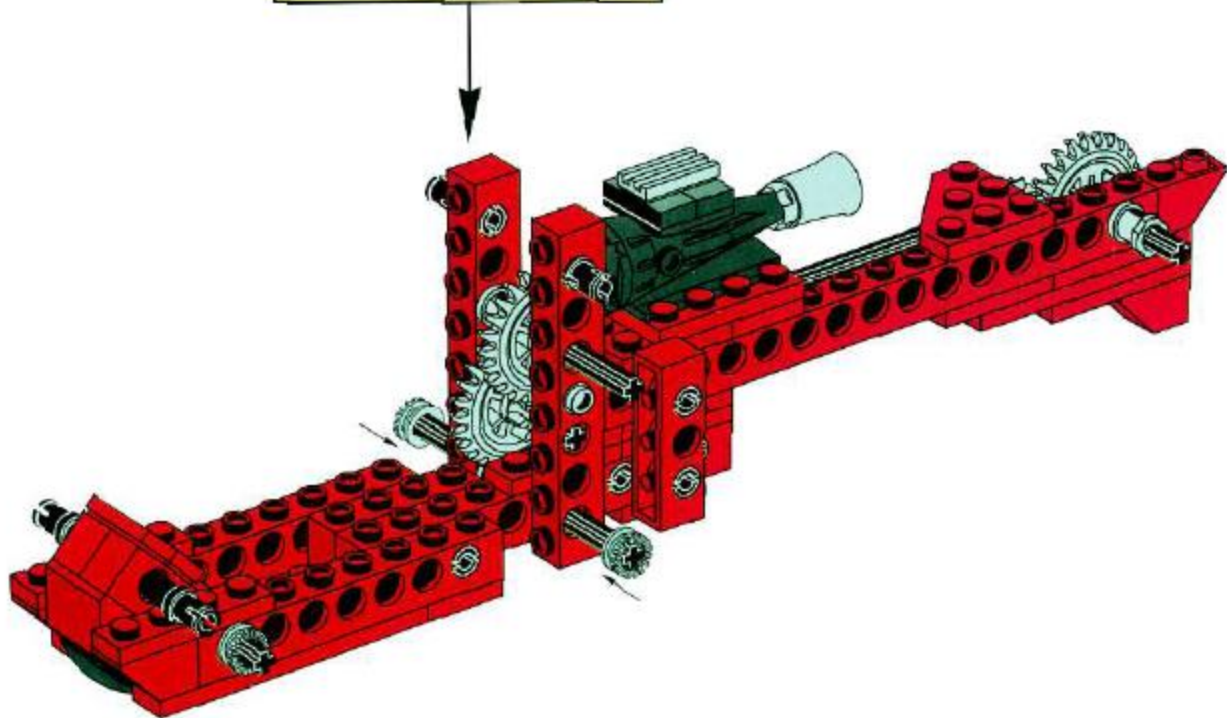
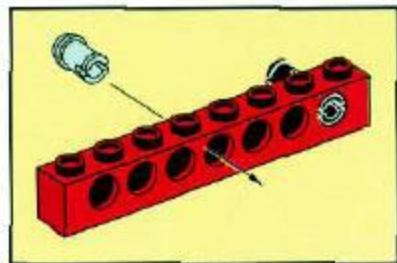


14



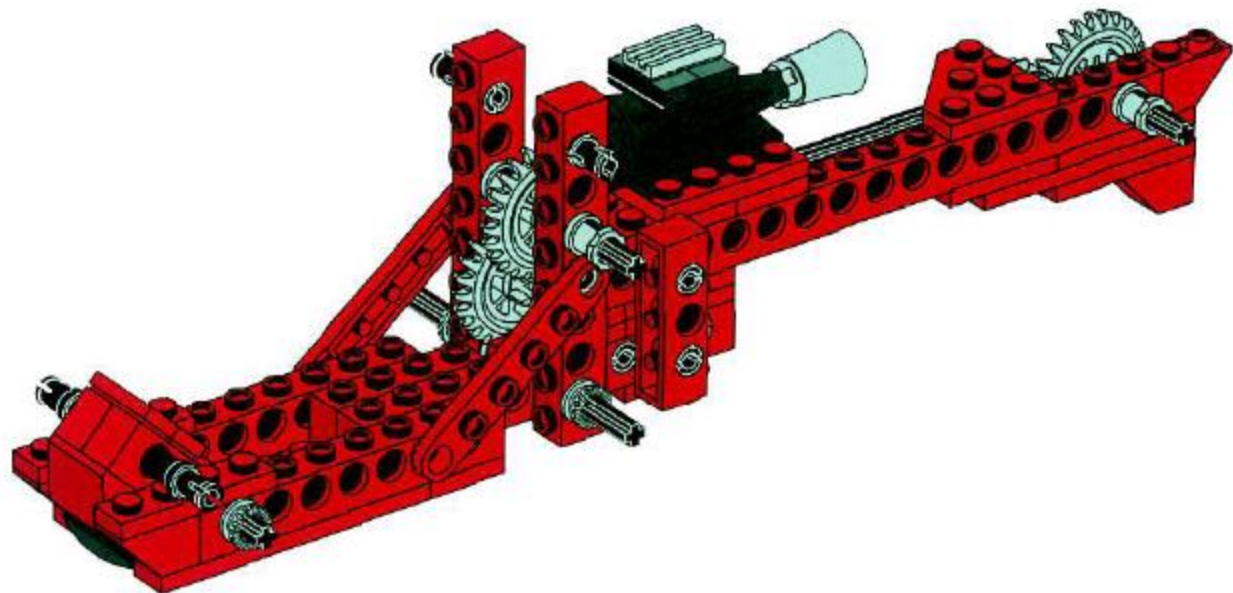


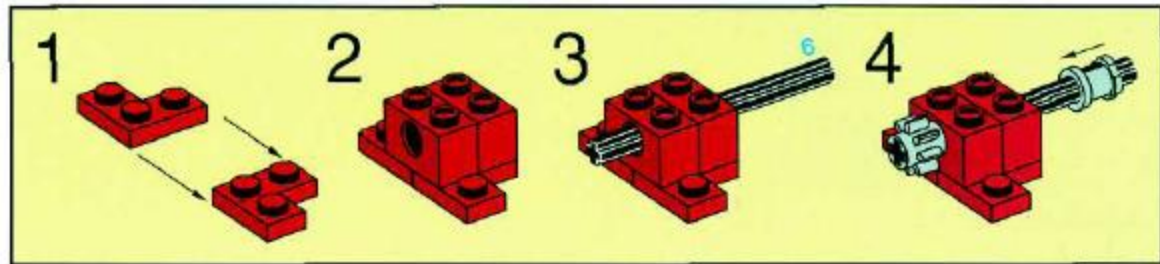
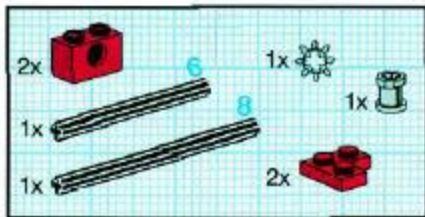
15



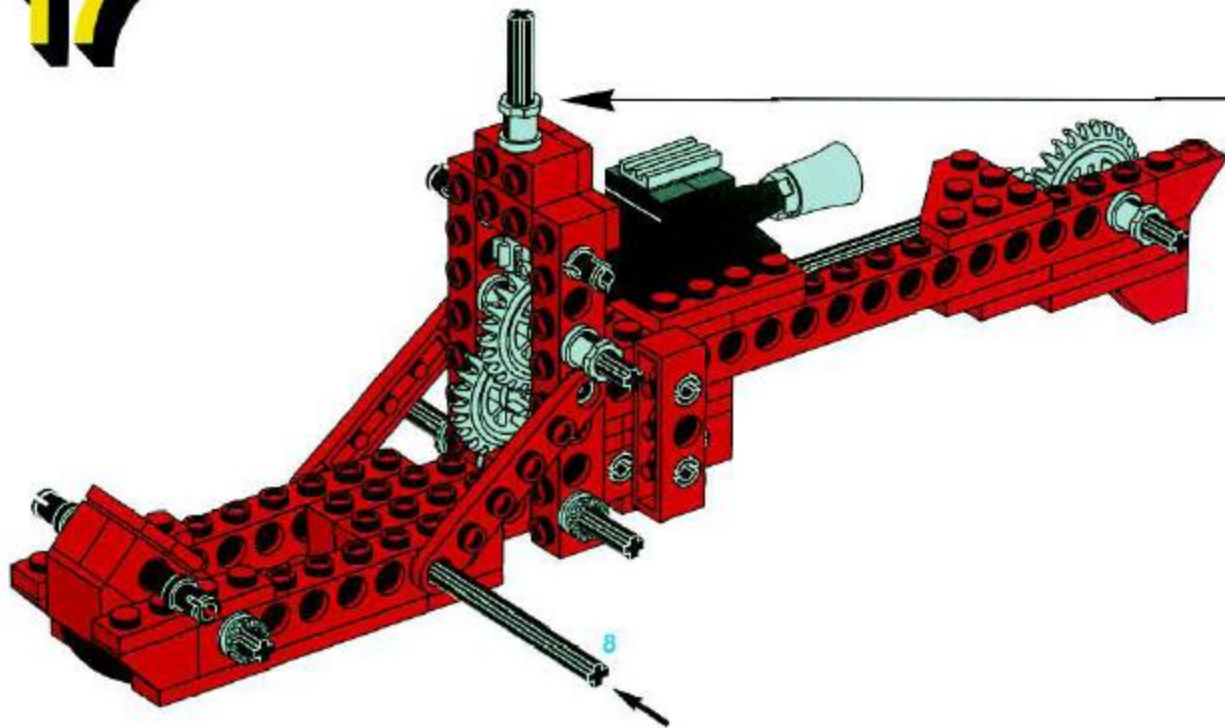


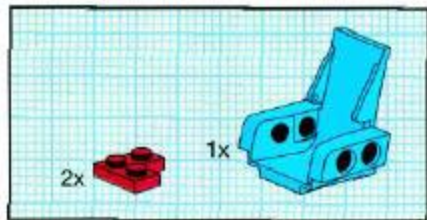
16



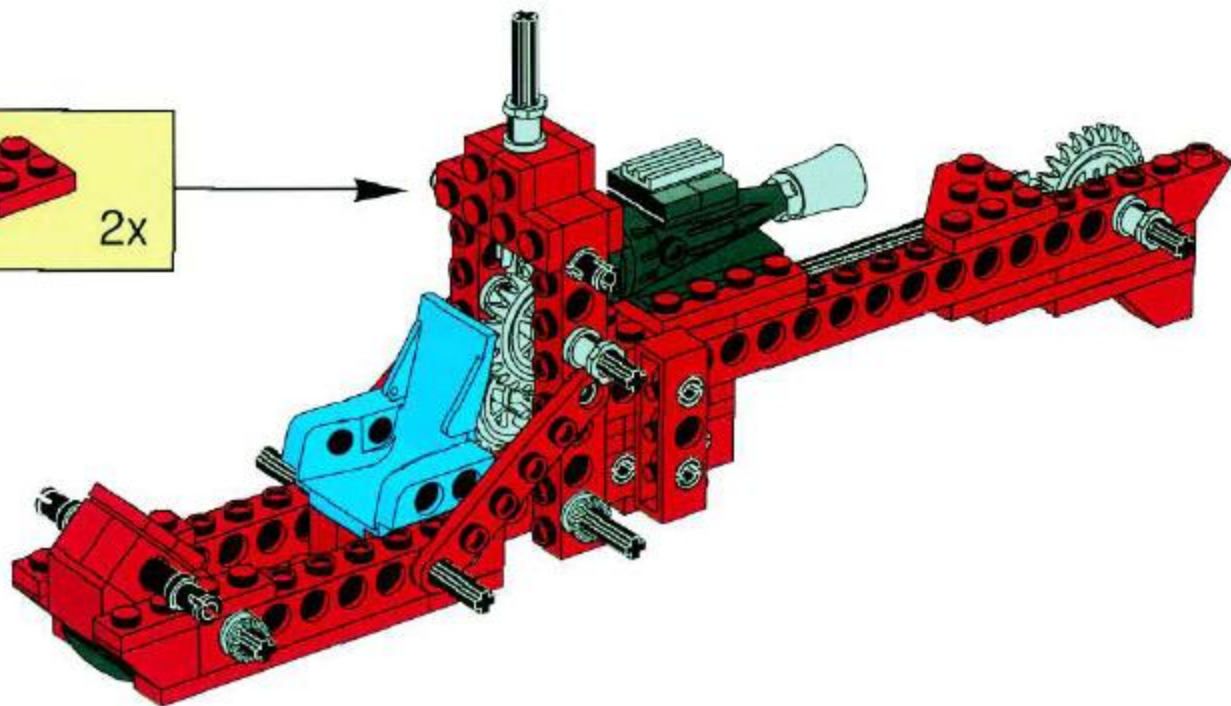
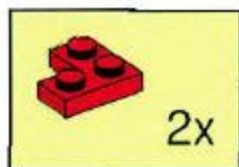


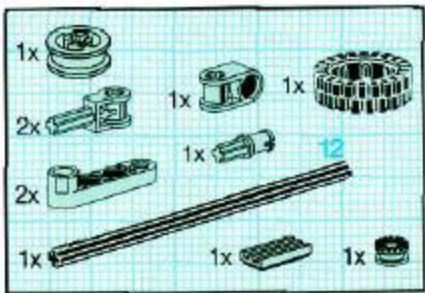
17



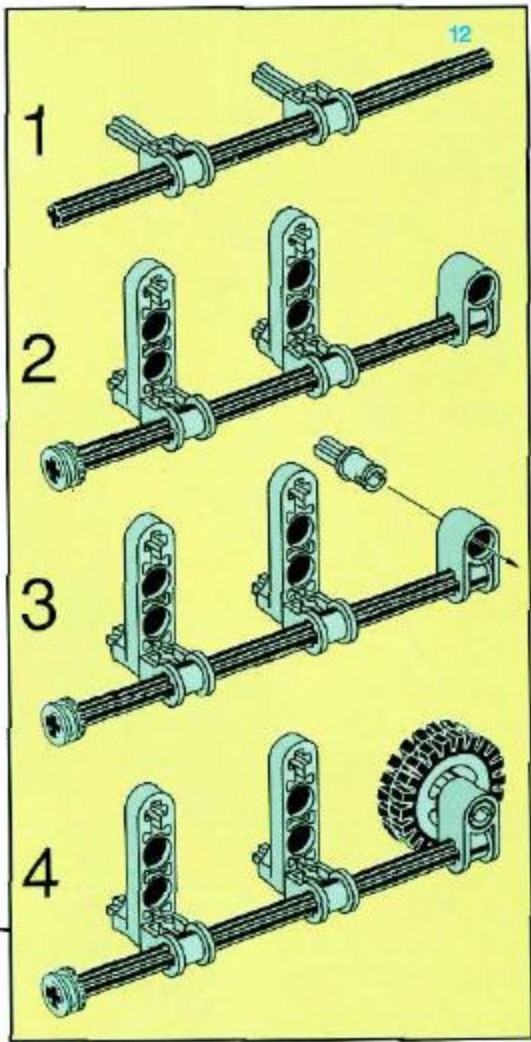
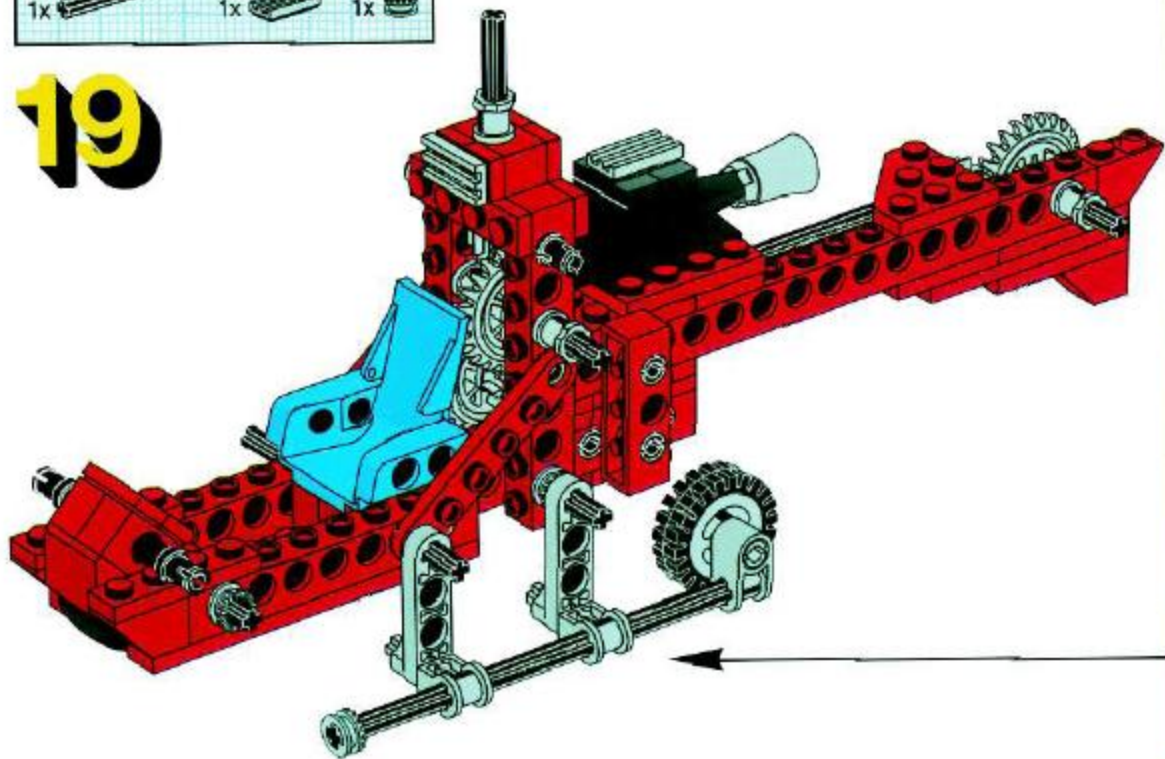


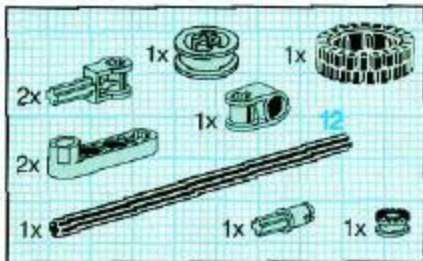
18



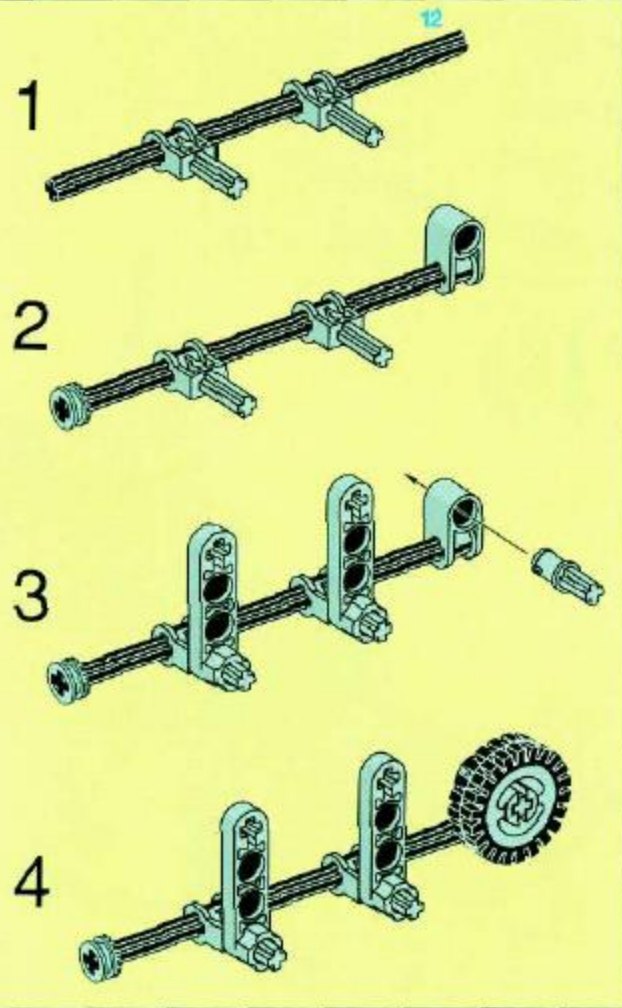
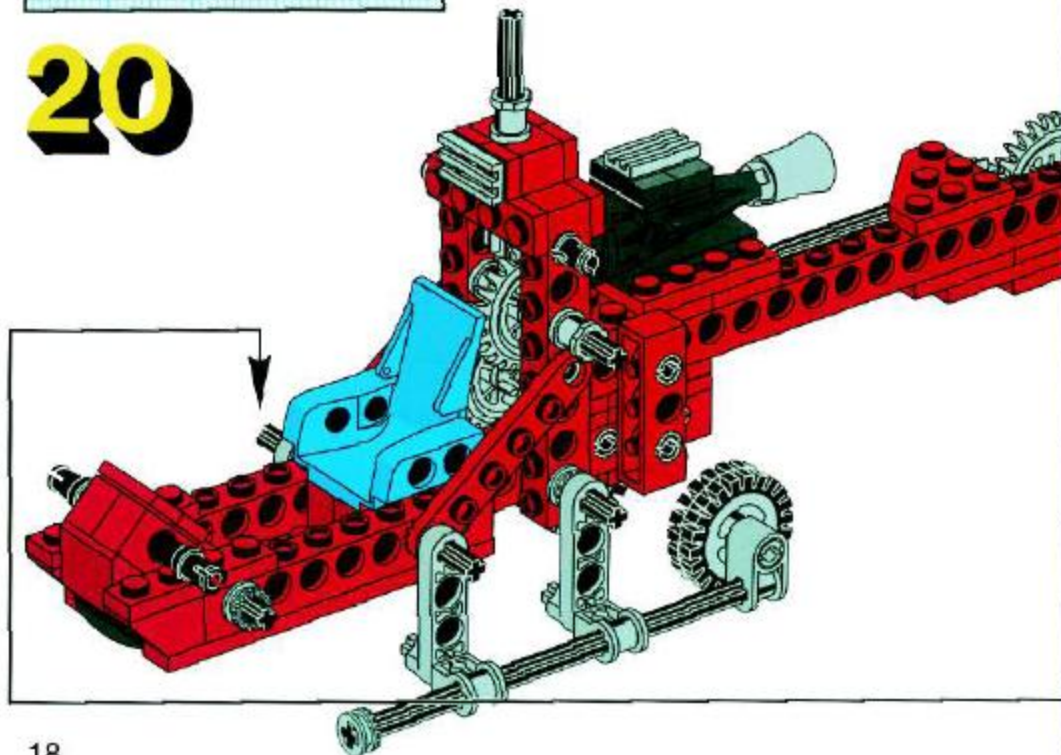


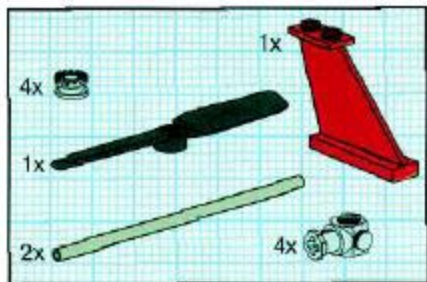
19



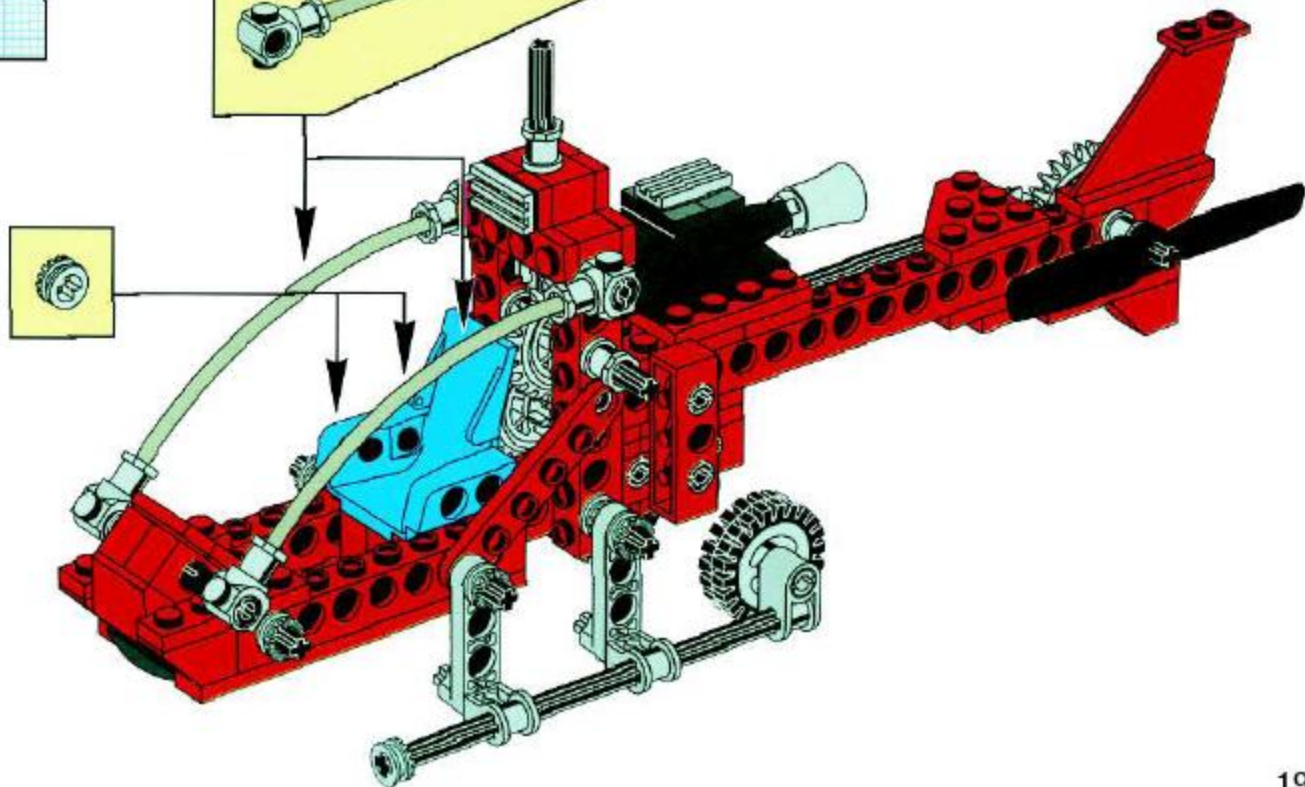
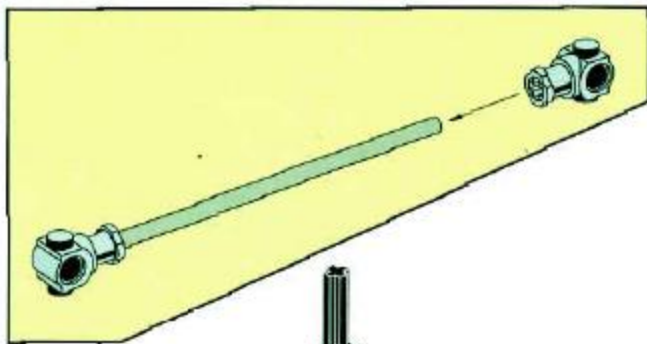


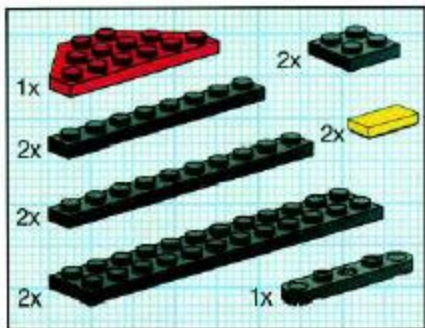
20





21





22

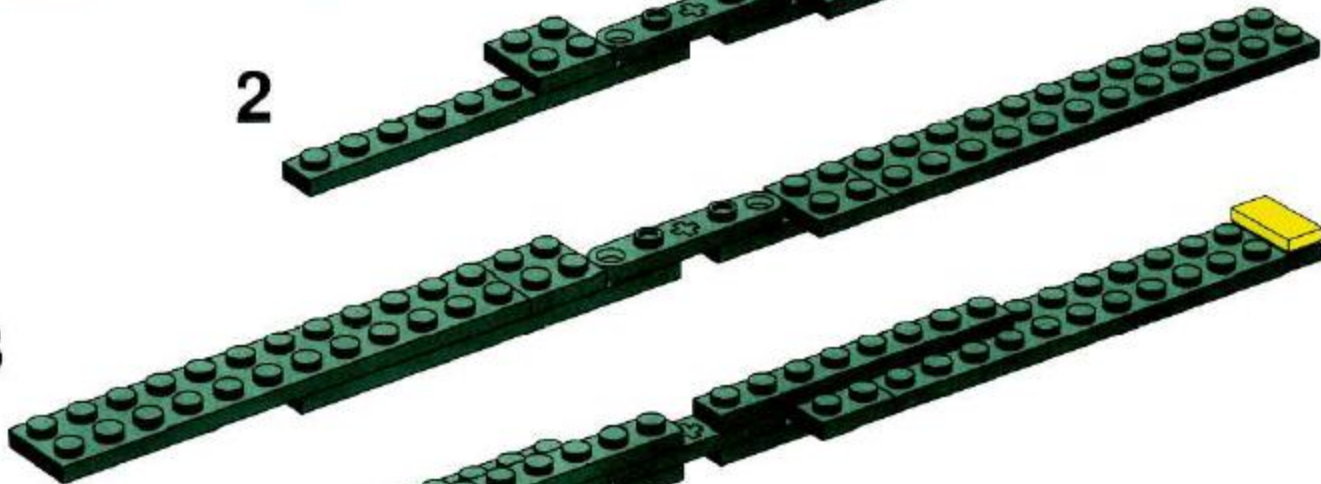
1



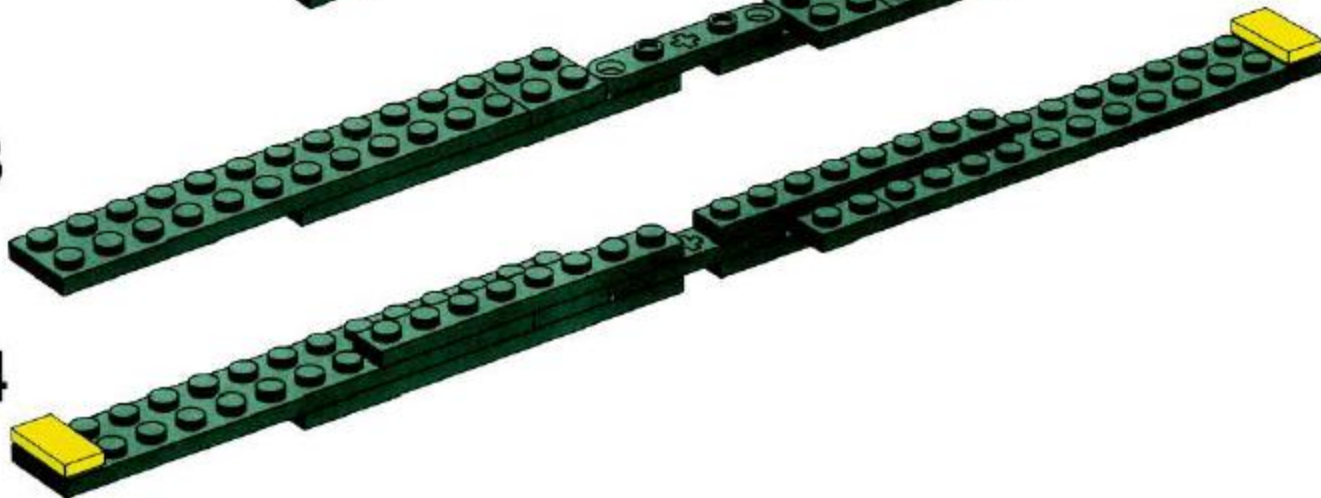
2

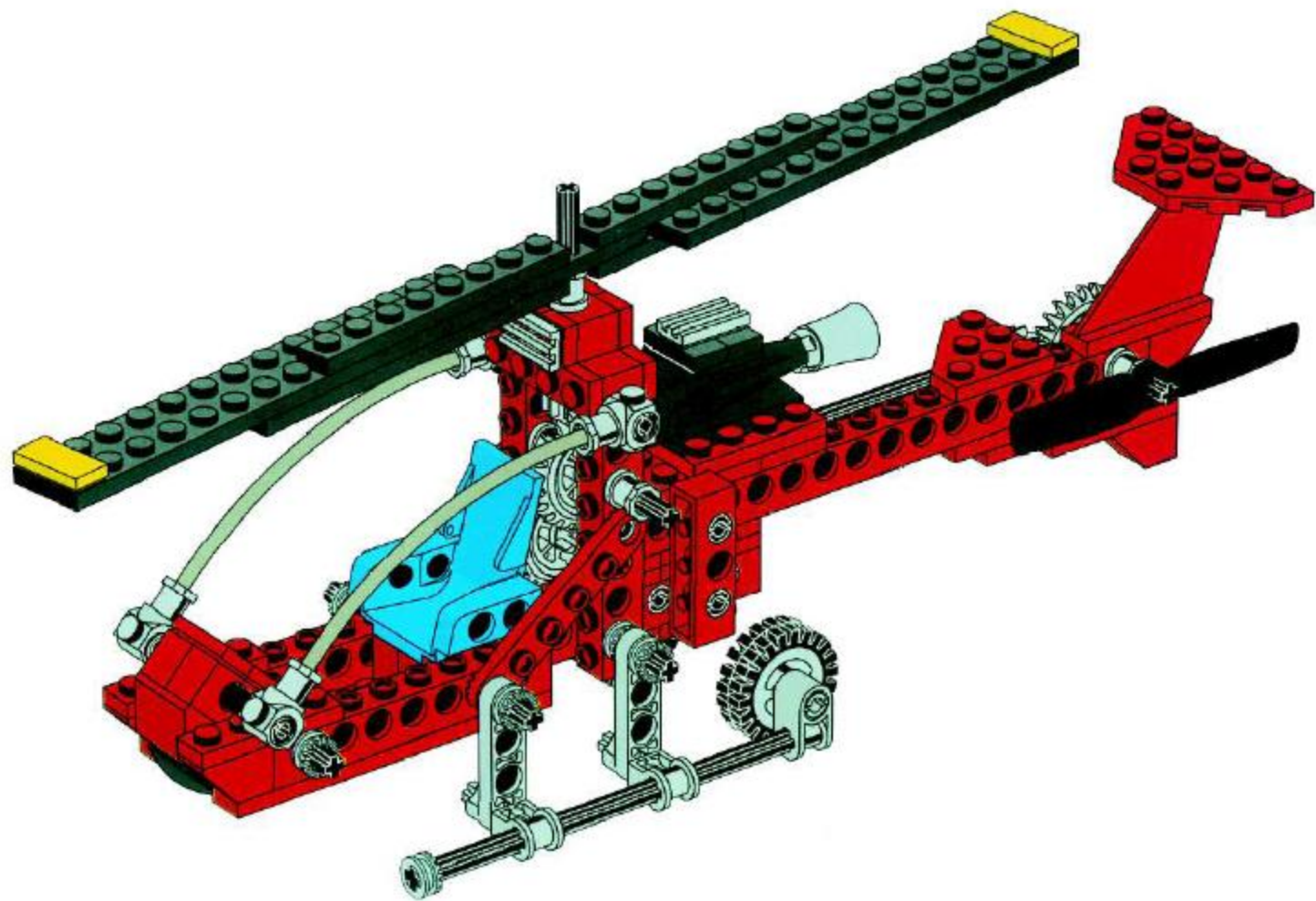


3



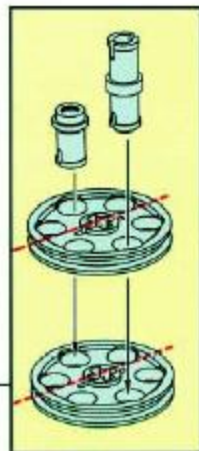
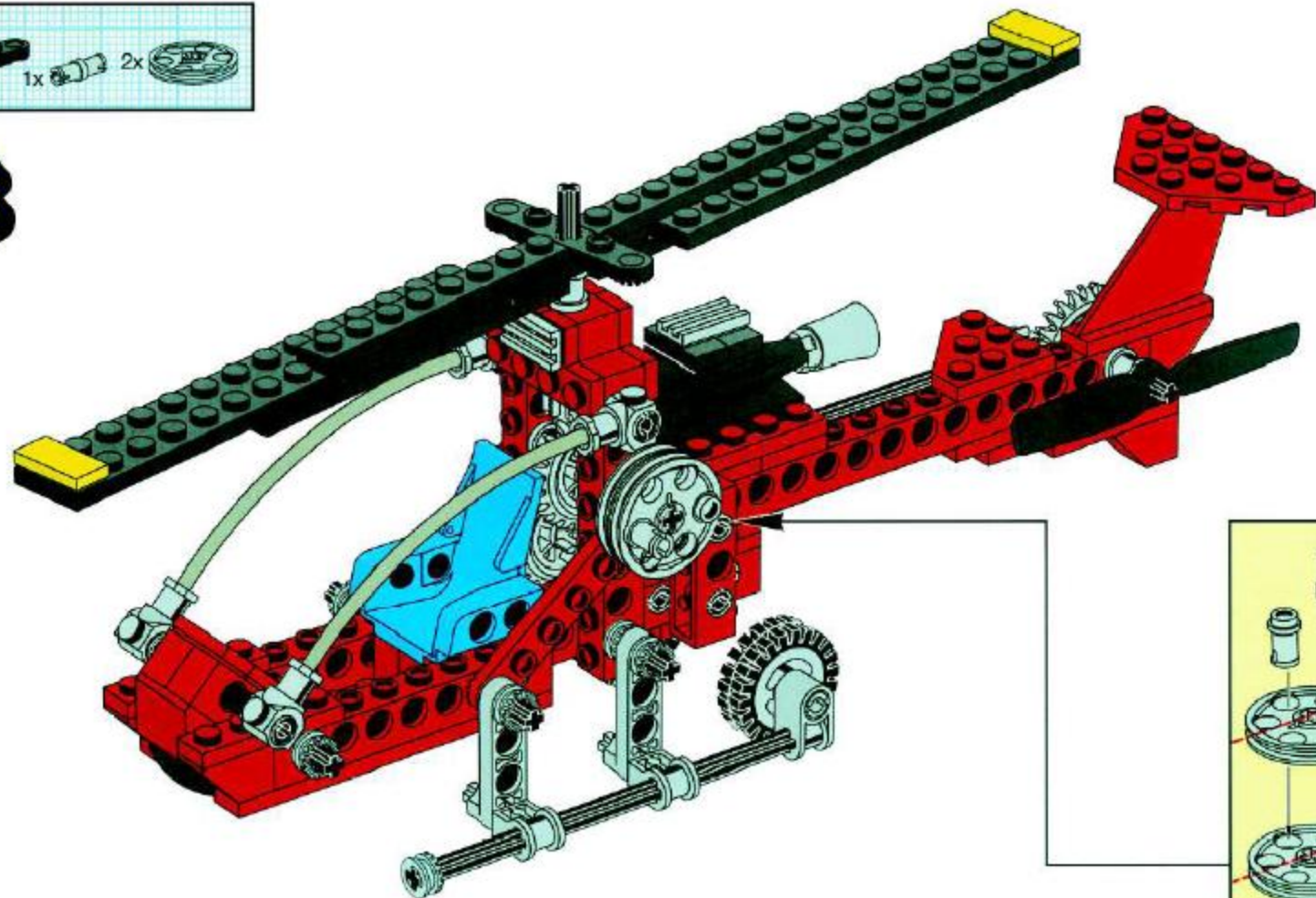
4







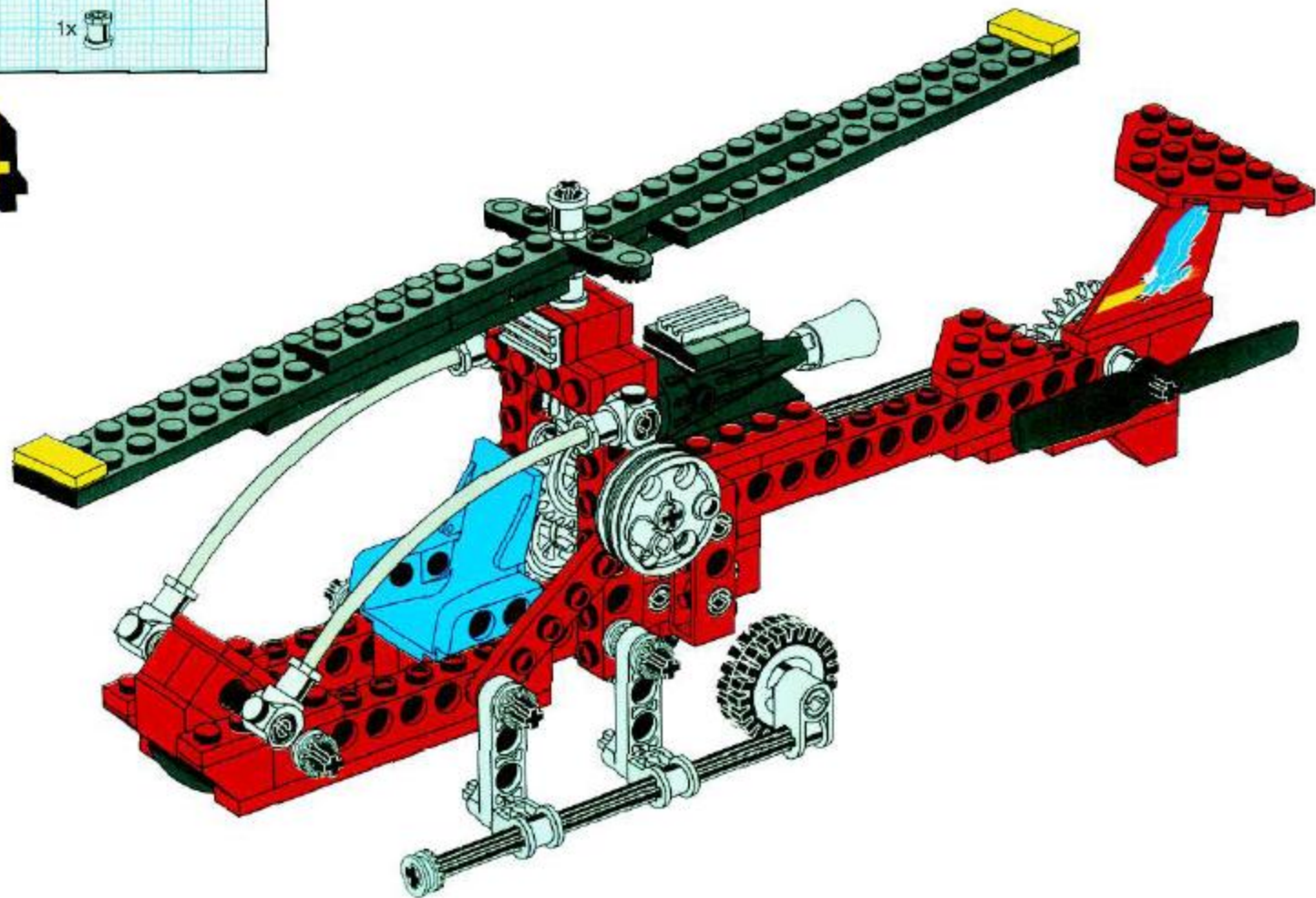
23

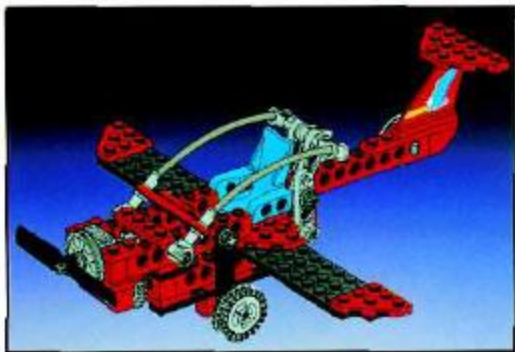


1x

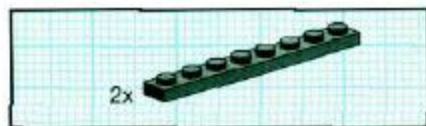


24

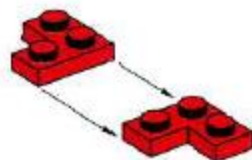




1

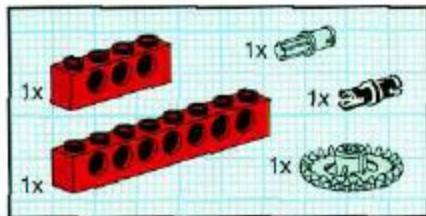
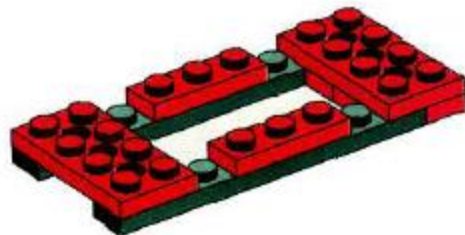


2

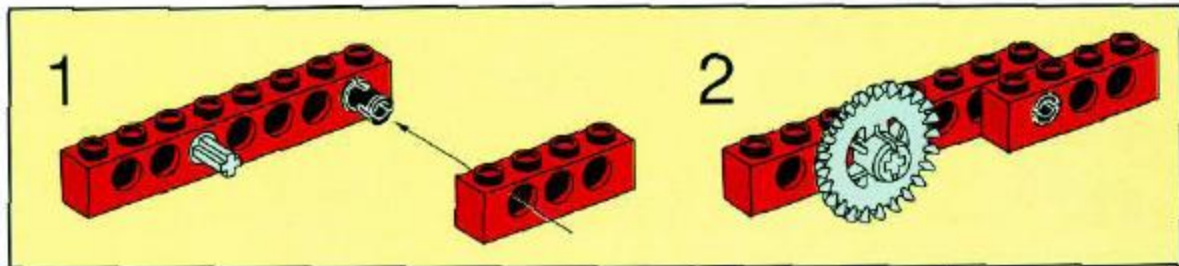




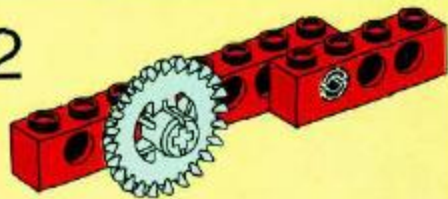
3

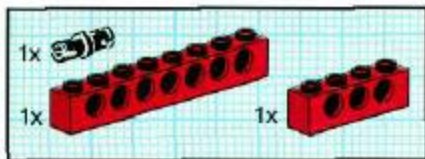


4

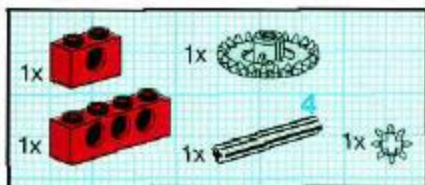
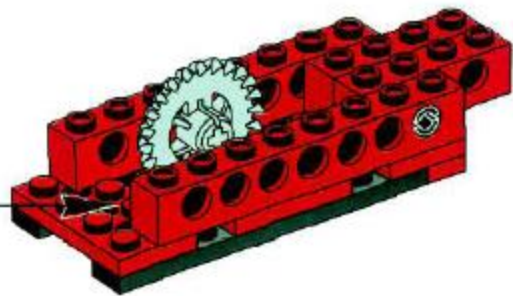
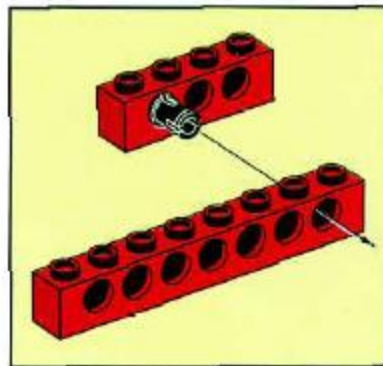


2

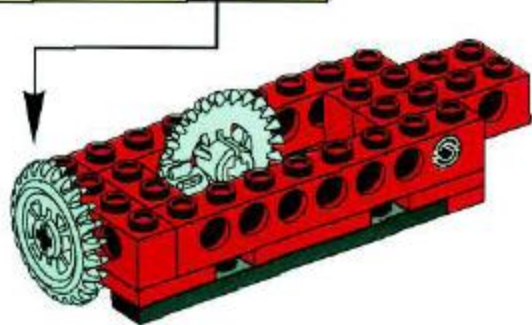
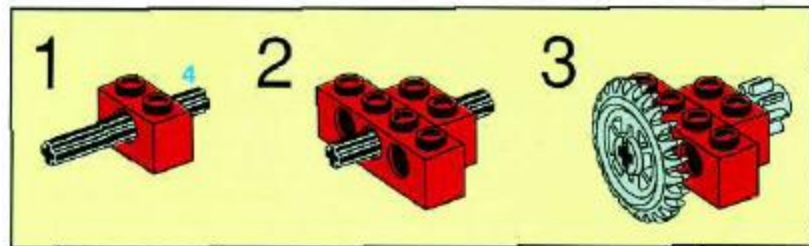




5

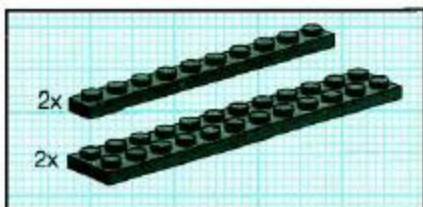
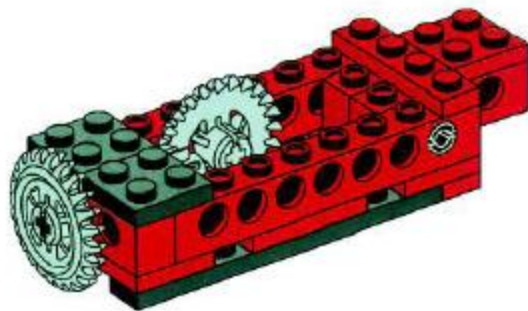


6

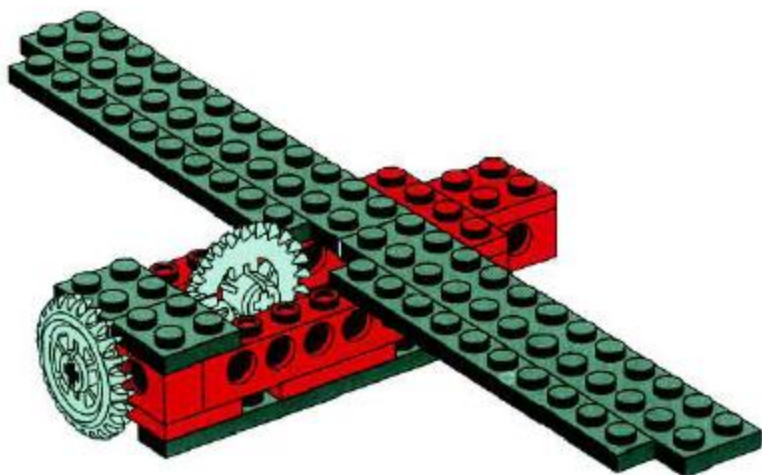


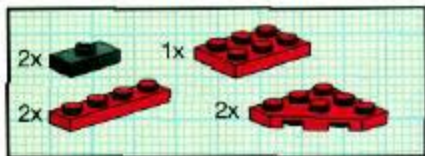


7

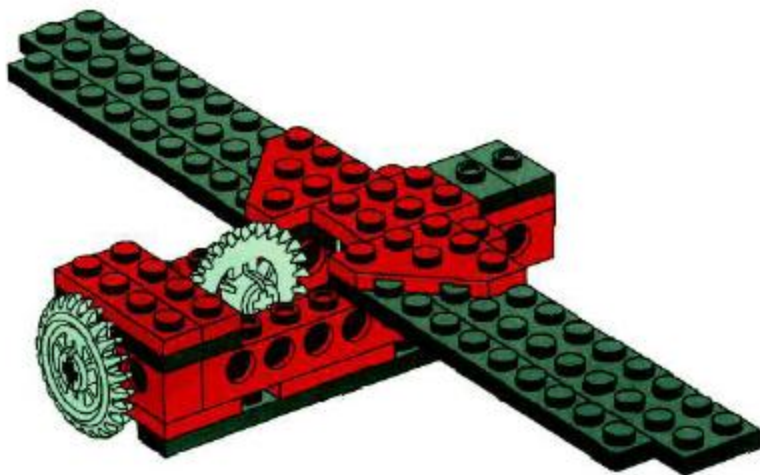


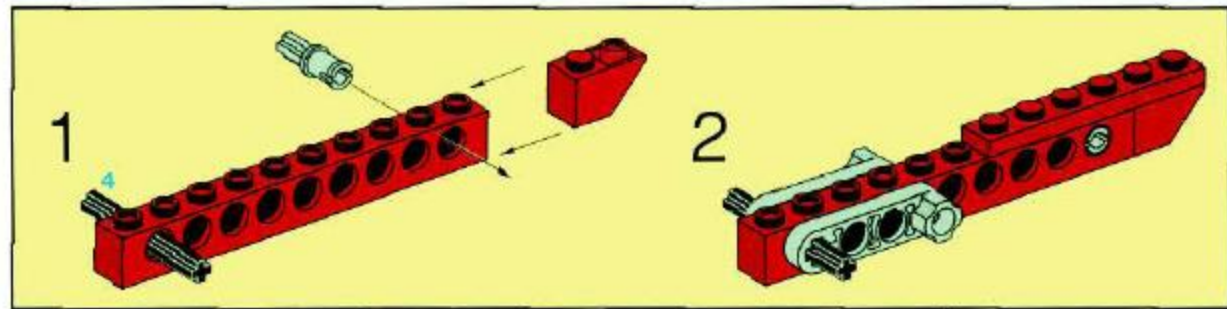
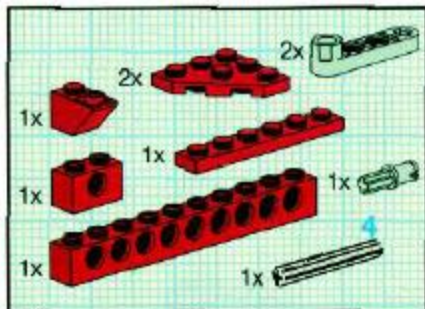
8



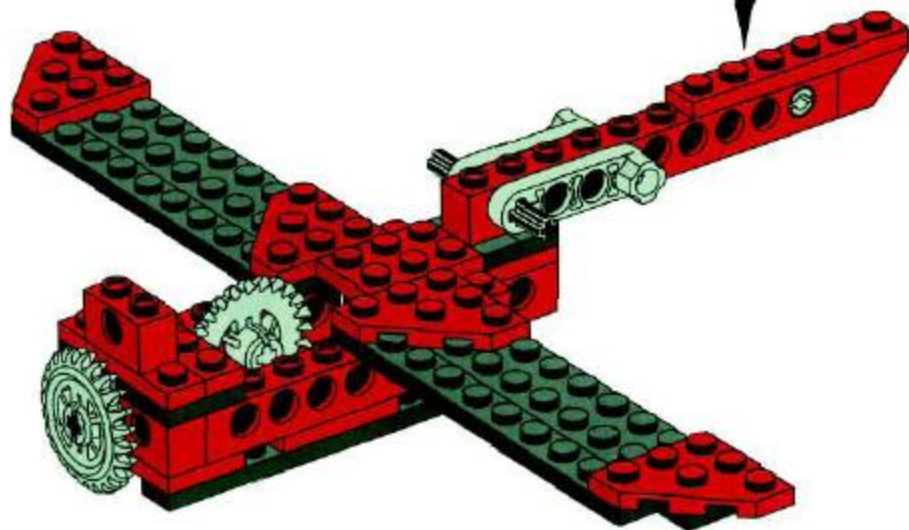


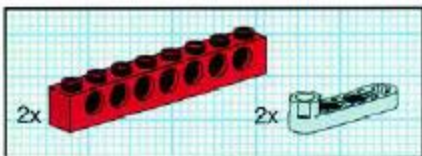
9



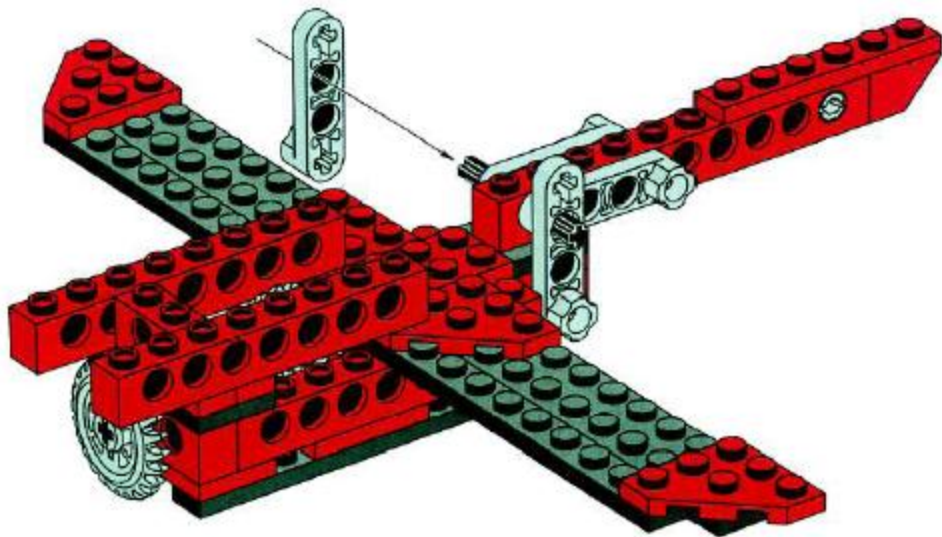


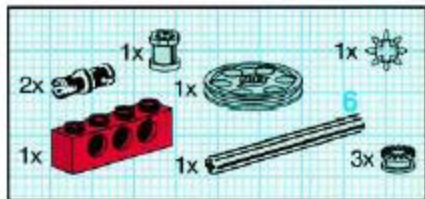
10



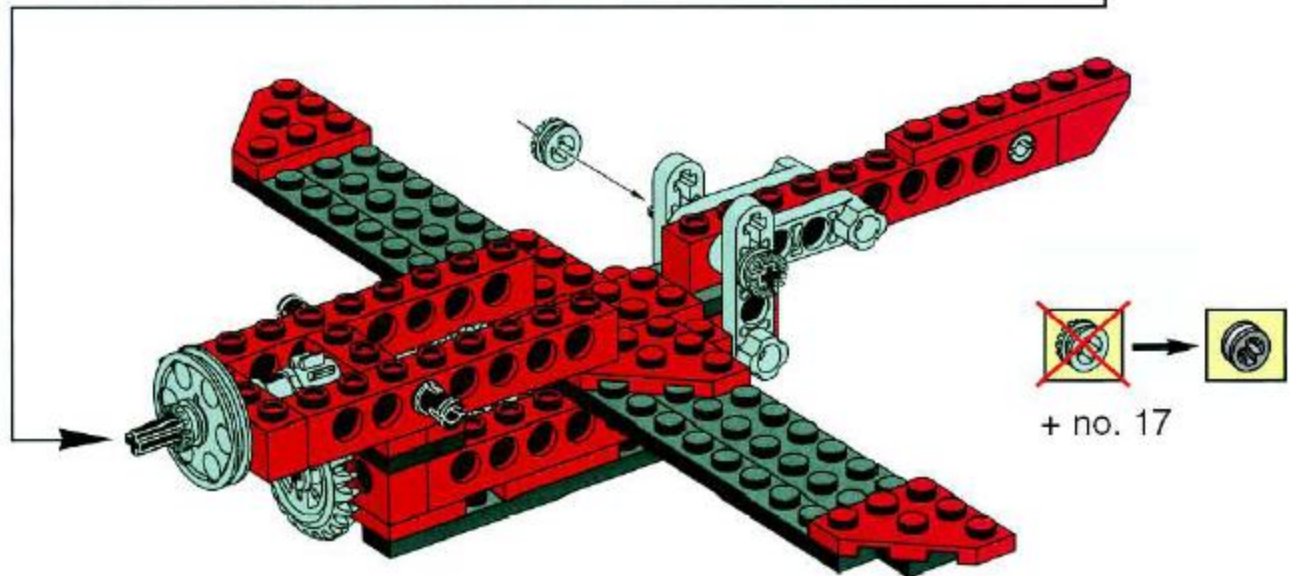
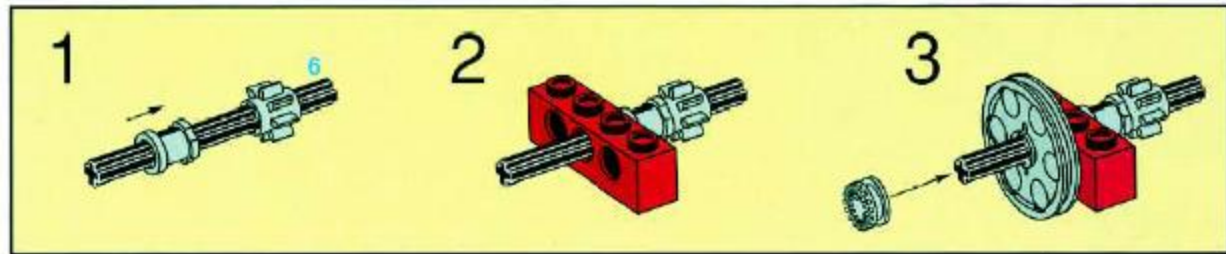


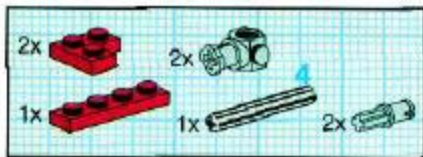
11



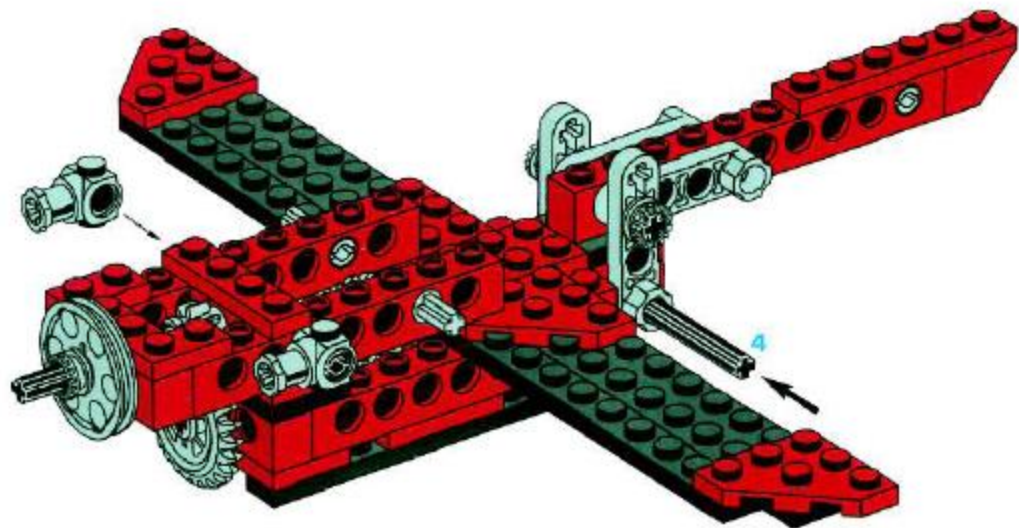


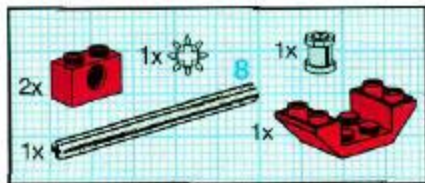
12



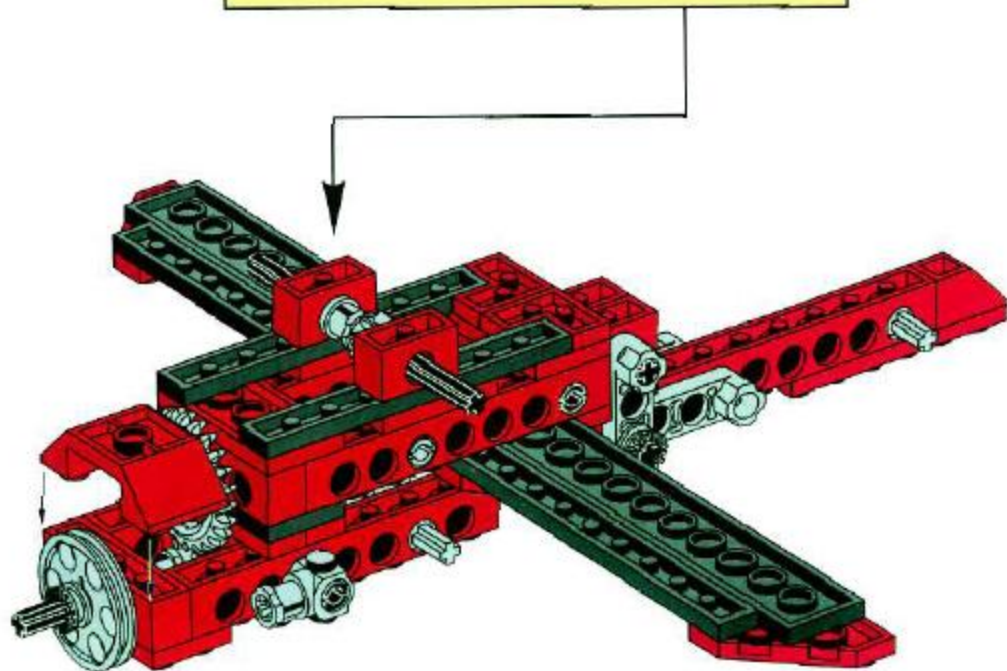
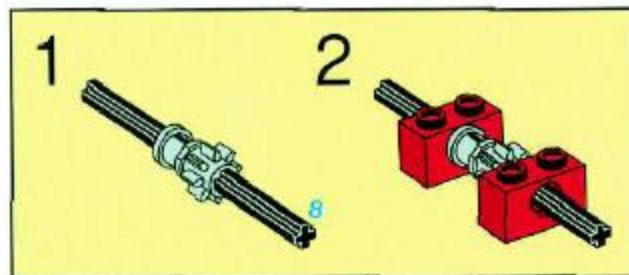


13





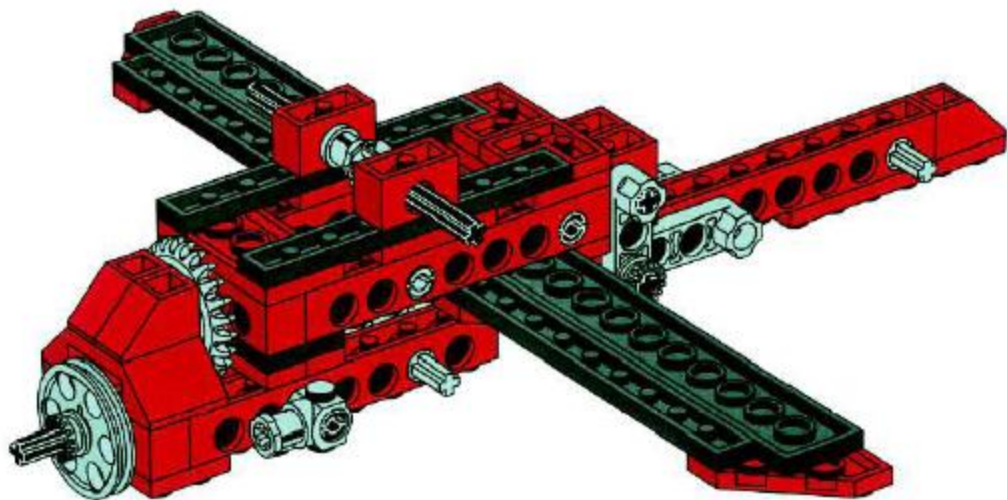
14



2x

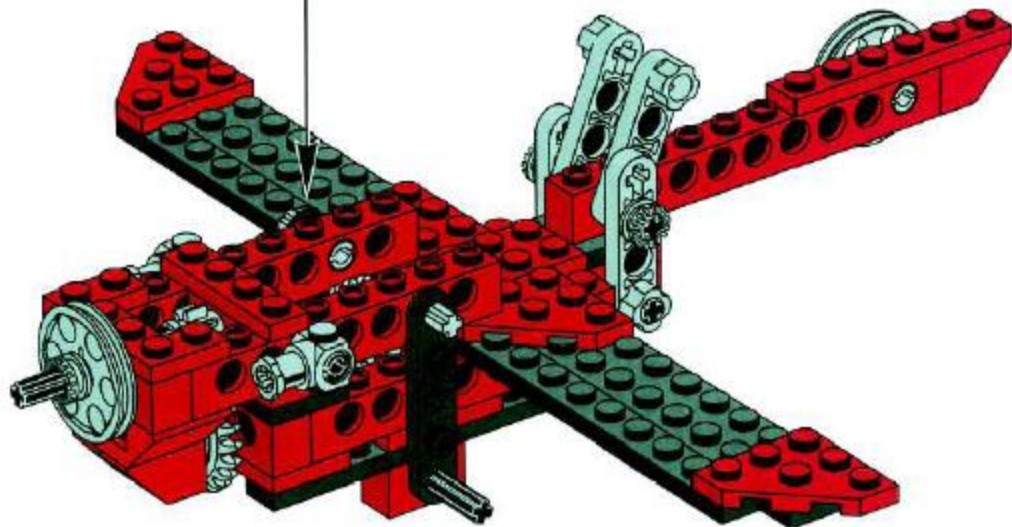


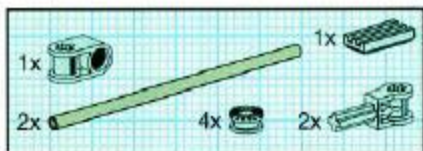
15



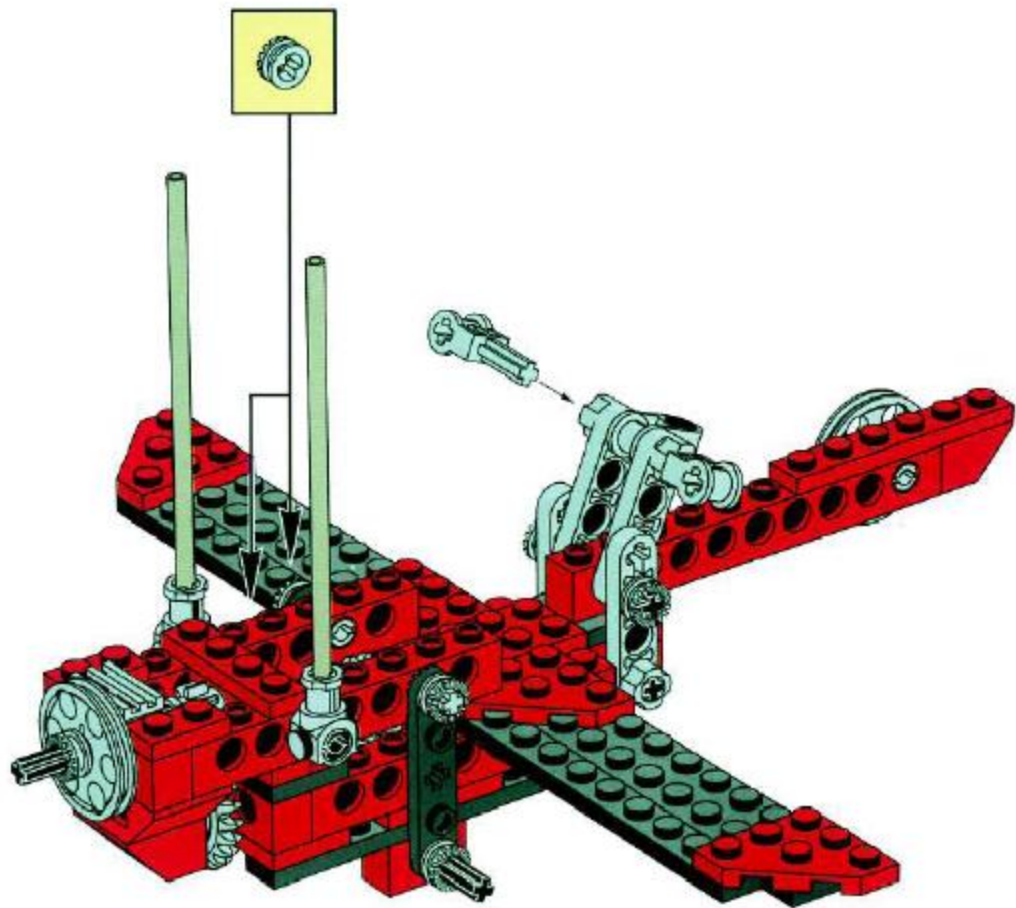


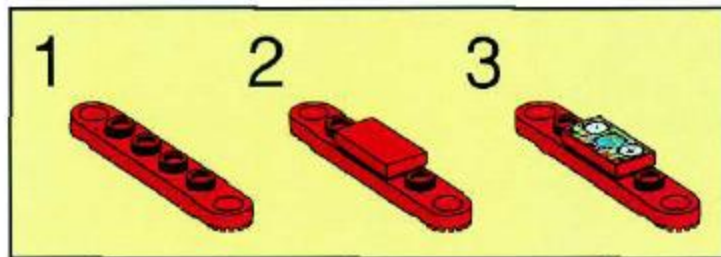
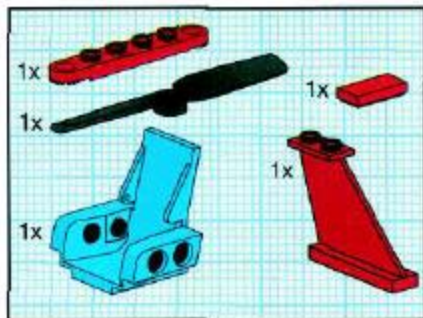
16



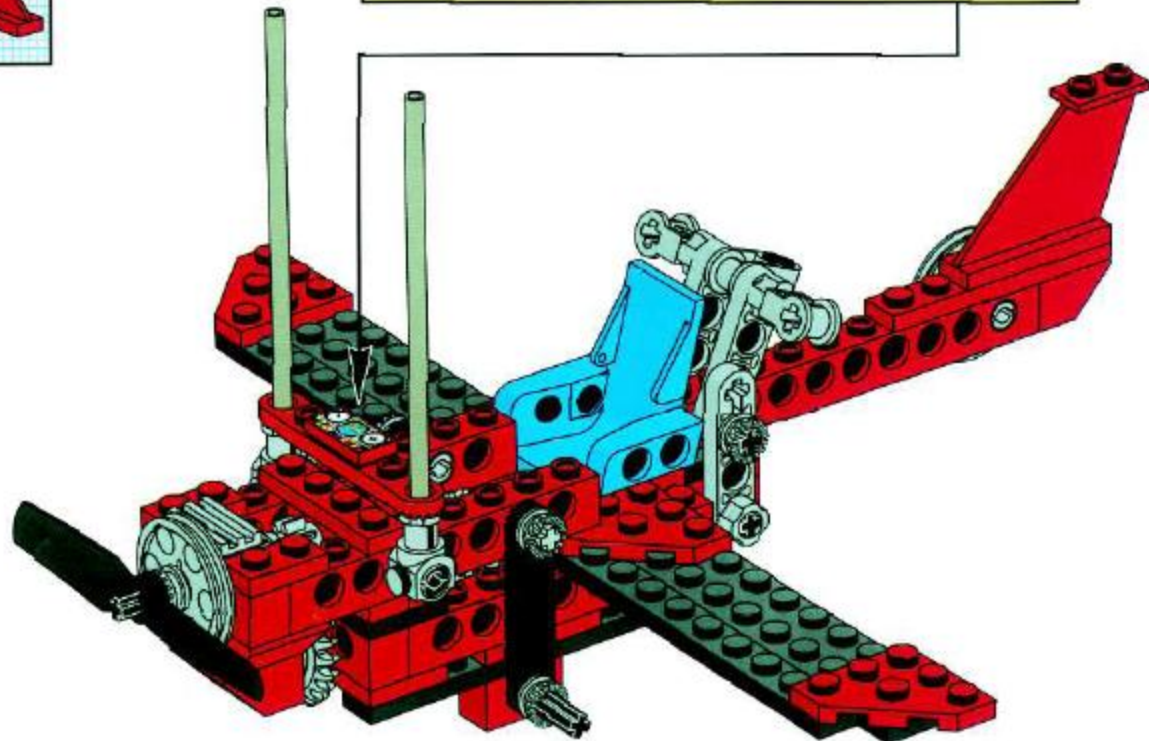


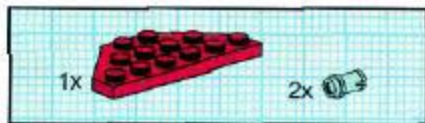
17



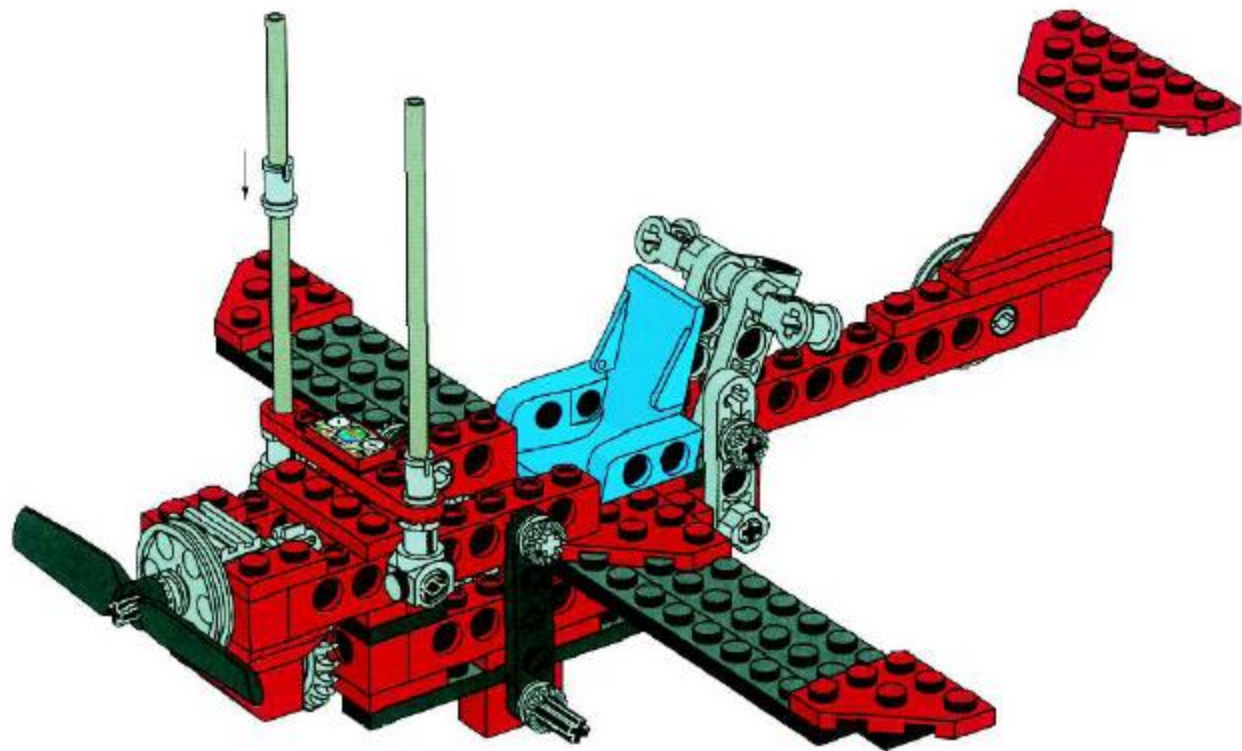


18





19





20

