

1



2



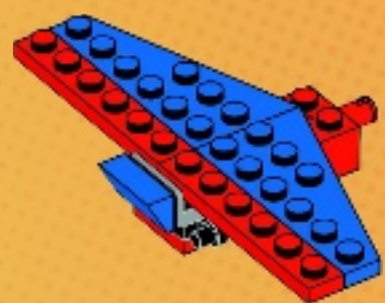
3



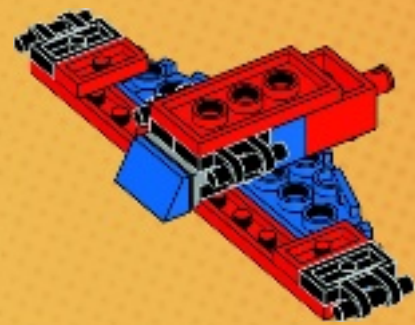
4



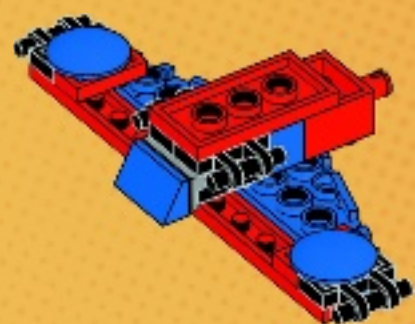
5



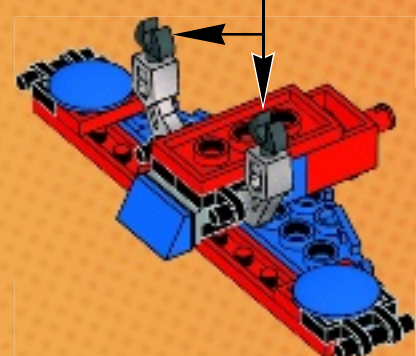
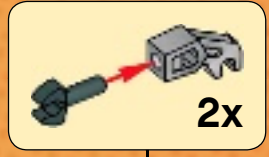
6



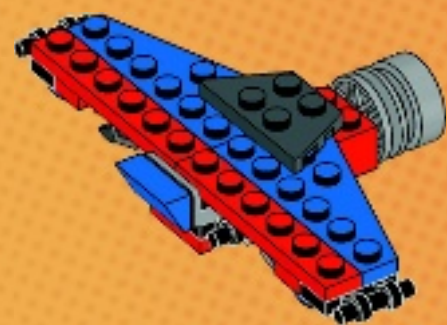
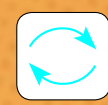
7



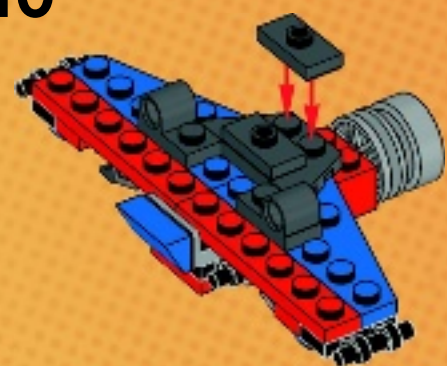
8



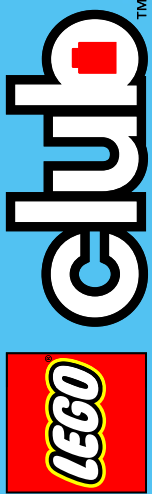
9



10







Free\*! Gratuit!

\* Paid subscription in Australia and New Zealand.  
Abonnement payant en Australie et Nouvelle-Zélande.



1



2

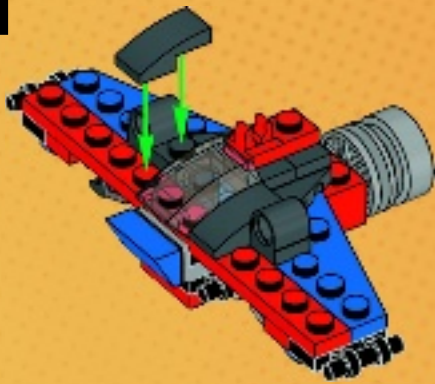


3

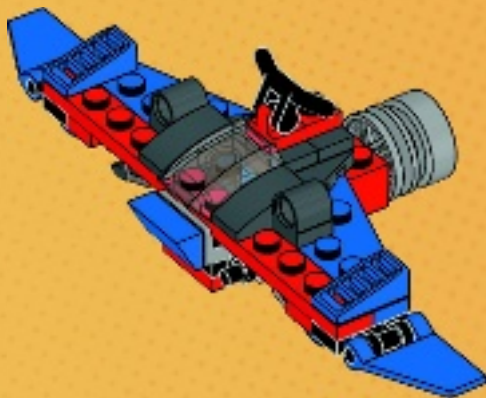
LEGO and the LEGO logo are trademarks of the LEGO Group. ©2014 The LEGO Group. 6075295

LEGO.com/club

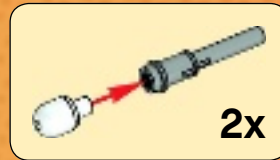
11



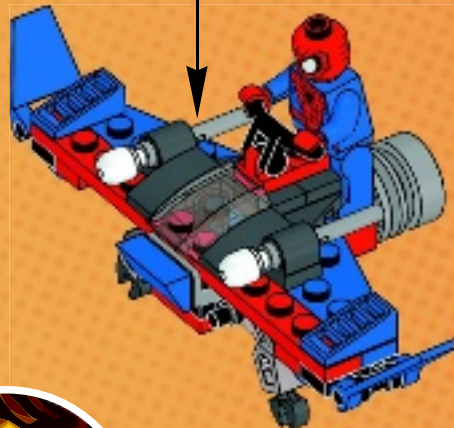
12



13



2x



LEGO.com/club



LEGO.com/service



marvelkids.com

© MARVEL