



Mixels

41521



 LEGO.com

1



2



3



4



5



6



7



8



9





1



2



3



4



5



6



7



10



10

11



1

2

3

2x

The inset diagram shows three steps for building a leg sub-assembly. Step 1 shows a red pin being inserted into a grey Technic beam. Step 2 shows a brown Technic brick being attached to the end of the grey beam. Step 3 shows two clear Technic Technic axles being inserted into the holes of the brown brick. The text '2x' indicates that two of these sub-assemblies are required for the main assembly.



1



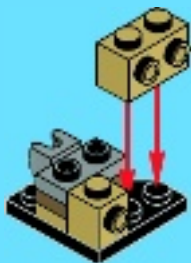
2



3



4



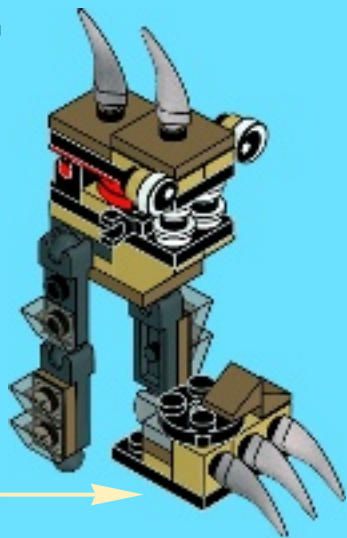
5



6



12





1



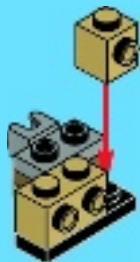
2



3



4



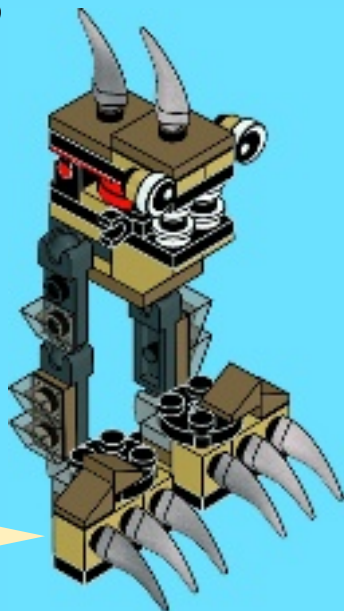
5



6



13



1

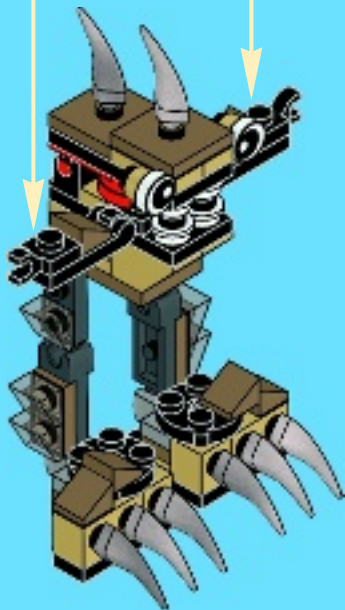


2



2x

14




2x
6029156


4x
4113917


4x
4517925


1x
393726


6x
6040126


1x
6035540


6x
614101


2x
4114084


2x
4515368


6x
4244368


4x
4528604


2x
6043656


2x
4579260


2x
4632573


2x
403226


8x
4617190


2x
4578032


2x
6039479


2x
6024495


1x
6066342


2x
4227684


4x
6039482


2x
4159196


1x
613421


2x
302026



Customer Service

Kundenservice

Service Consommateurs

Servicio Al Consumidor

LEGO.com/service or dial



: 00800 5346 5555

: 1-800-422-5346



LEGO.com/mixels



CALLING ALL Mixels™



**YOU CAN
BUY THE
GAME!**



SP1KEFOO4T

IN GAME CODE!



Apple, the Apple logo, iPad, iPhone and iPod touch are trademarks of Apple Inc., registered in the U.S. and other countries. App Store is a service mark of Apple Inc. Google Play is a trademark of Google Inc.



Mixels



41500
FLAIN



41501
VULK



41502
ZORCH



41503
KRADER



41504
SEISMO



41505
SHUFF



41506
TESLO



41507
ZAPTOR



41508
VOLECTRO



LEGO.com/mixels





41509
SLUMBO



41510
LUNK



41511
FLURR



41518
GLOMP



41519
GLURT



41520
TORTS



41512
CHOMLY



41513
GOBBA



41514
JAWG



41521
FOOTI



41522
SCORPI



41523
HOOGI



41515
KRAW



41516
TENTRO



41517
BALK



41524
MESMO



41525
MAGNIFO



41526
WIZWUZ

WIN

GO TO WWW.LEGO.COM/PRODUCTFEEDBACK AND
GIVE US YOUR SHORT **FEEDBACK** ABOUT THIS
LEGO® SET FOR A CHANCE TO WIN
A COOL LEGO PRIZE.

LEGO.com/productfeedback



GEWINNE



Erzähle uns auf
www.LEGO.com/productfeedback

etwas über die Erfahrungen, die
du mit diesem LEGO® Set gemacht
hast, und sichere dir die Chance auf
einen coolen LEGO Preis!

GAGNE



Rends-toi sur
www.LEGO.com/productfeedback

et donne-nous quelques commen-
taires sur ce produit LEGO® pour
avoir une chance de gagner un
prix LEGO !

GANA



Visita
www.LEGO.com/productfeedback

y envíanos tu opinión acerca de este
set LEGO®. ¡Participarás en el sorteo
de un premio LEGO!

获取奖品



登录
www.LEGO.com/productfeedback

给出关于此乐高®套装的简短反馈，
就有机会获得炫酷乐高奖品

LEGO, the LEGO logo and MIXELS are trademarks and/or copyrights of the LEGO Group.
©2014 The LEGO Group. All rights reserved.
TM & © 2014 Cartoon Network.

6089980