



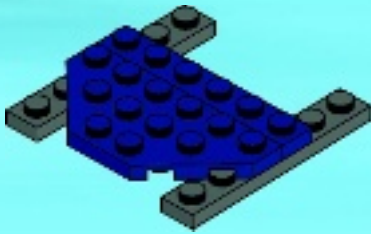
CITY

30222

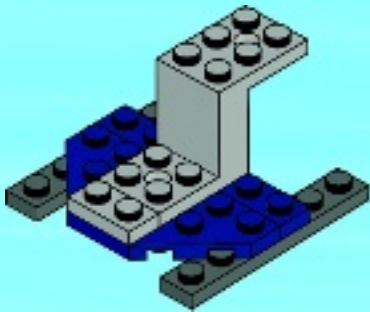
6036461



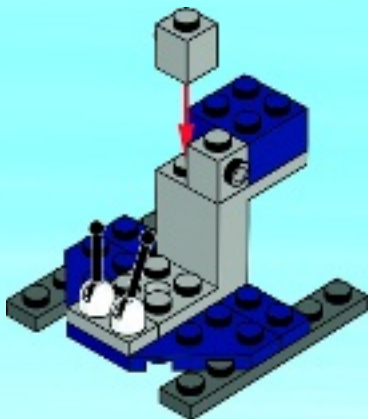
1



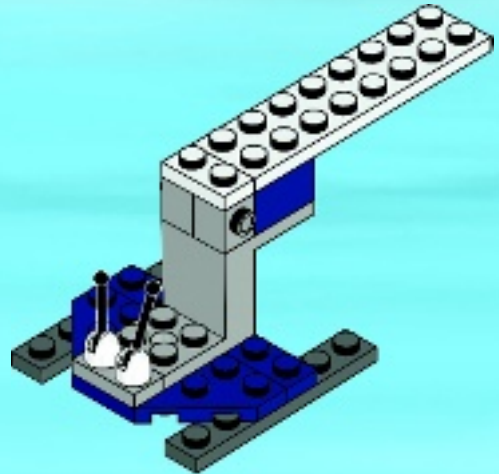
2



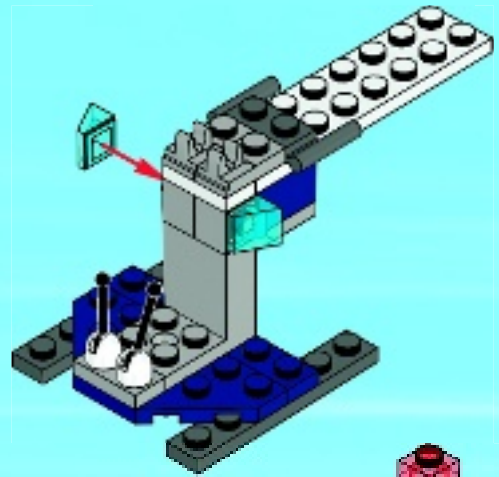
3



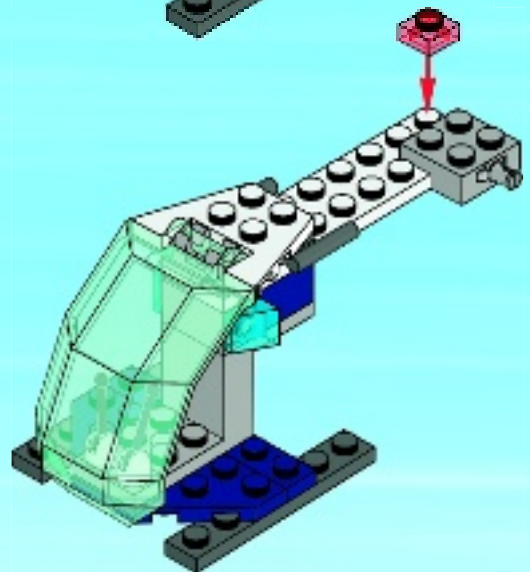
4



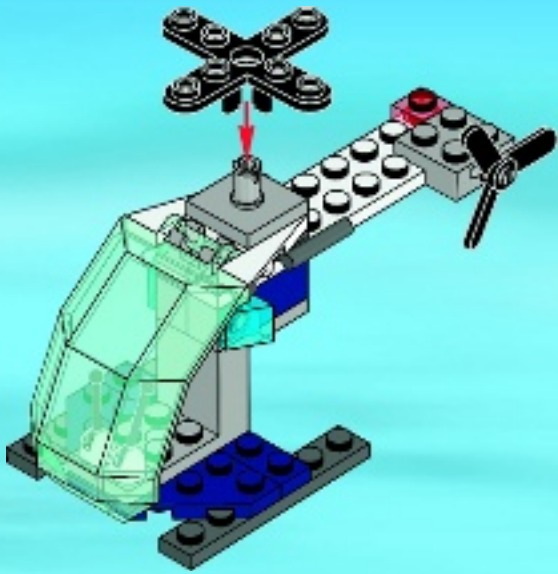
5



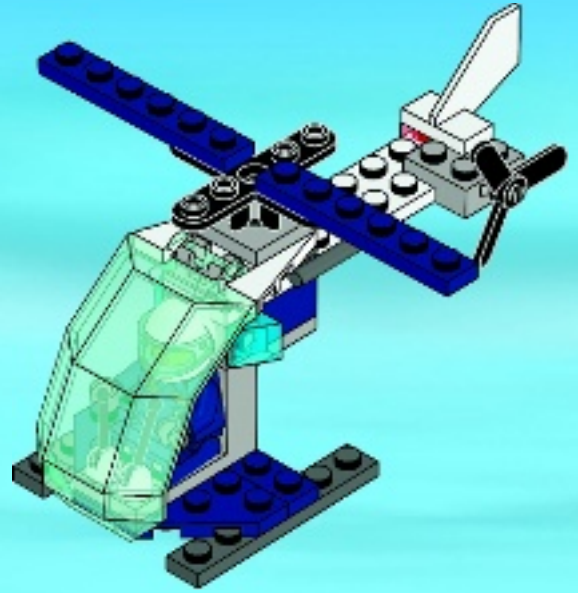
6



7



8



LEGO.com/service

LEGO and the LEGO logo are trademarks of the LEGO Group.  
©2013 The LEGO Group. 6036461



60008



60007



60006