



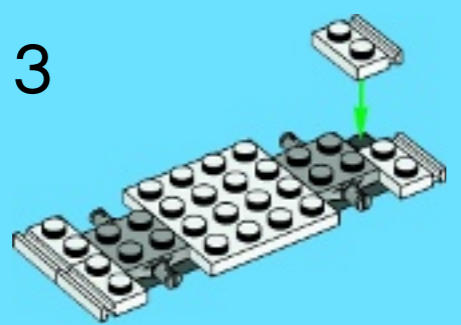
1



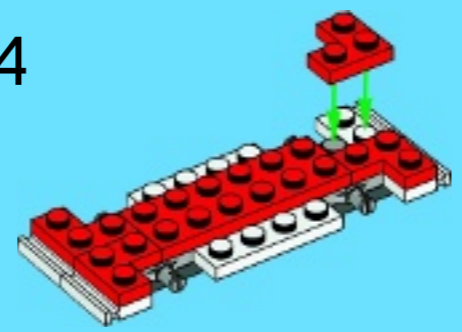
2



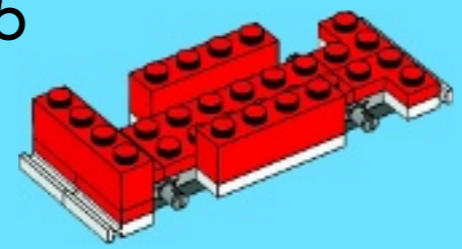
3



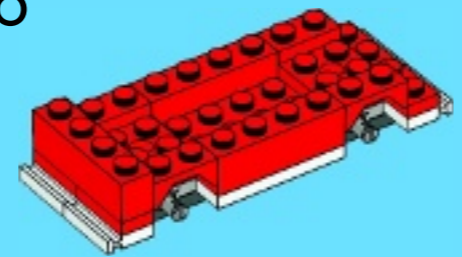
4



5



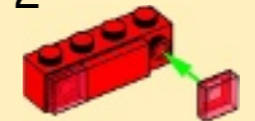
6



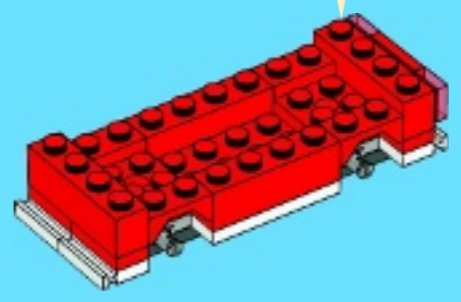
1



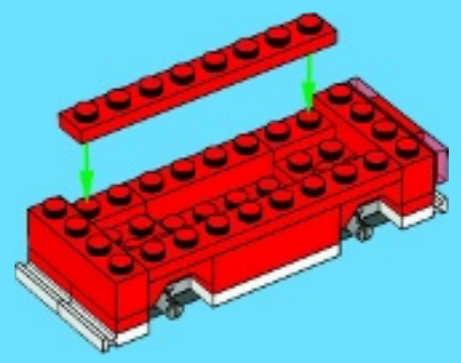
2



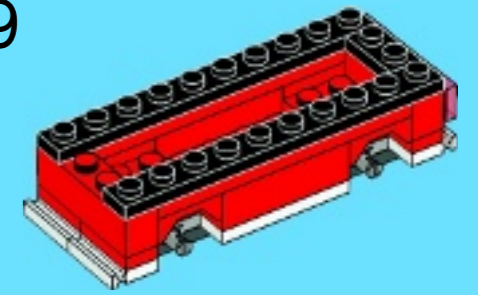
7



8



9



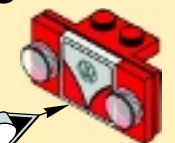
1



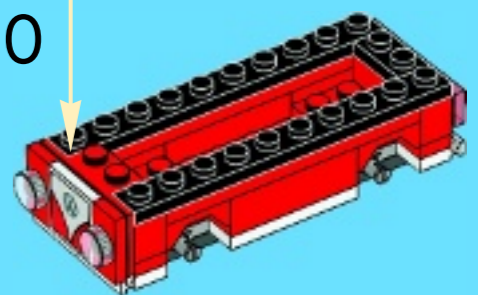
2



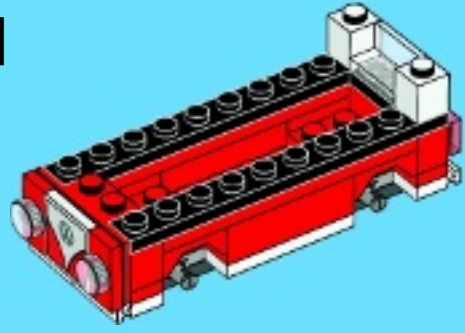
3



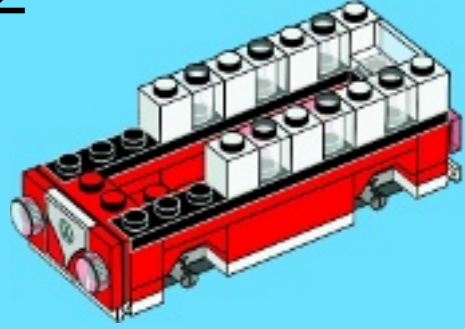
10



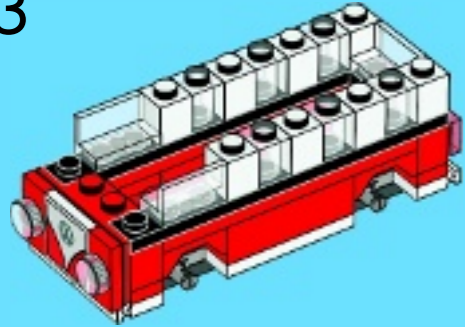
11



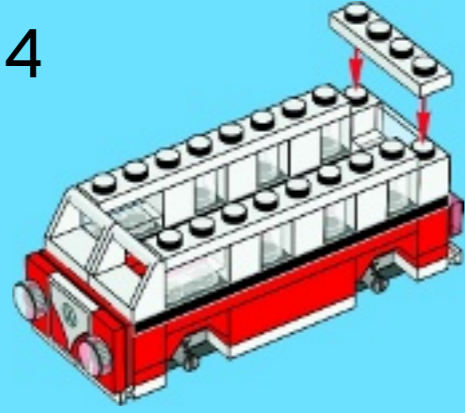
12



13



14



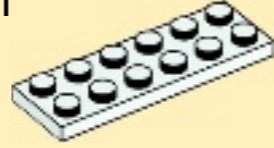
15



16



1



3



2



4



17



18



LEGO.com/service

LEGO and the LEGO logo are trademarks of the/son des marques de commerce de/son marcas registradas de LEGO Group. ©2013 The LEGO Group. 6050584



Officially licensed
by Volkswagen



10220

OFFICIALLY LICENSED BY VOLKSWAGEN/SOUS LICENCE OFFICIELLE DE VOLKSWAGEN/CON LICENCIA OFICIAL DE VOLKSWAGEN.