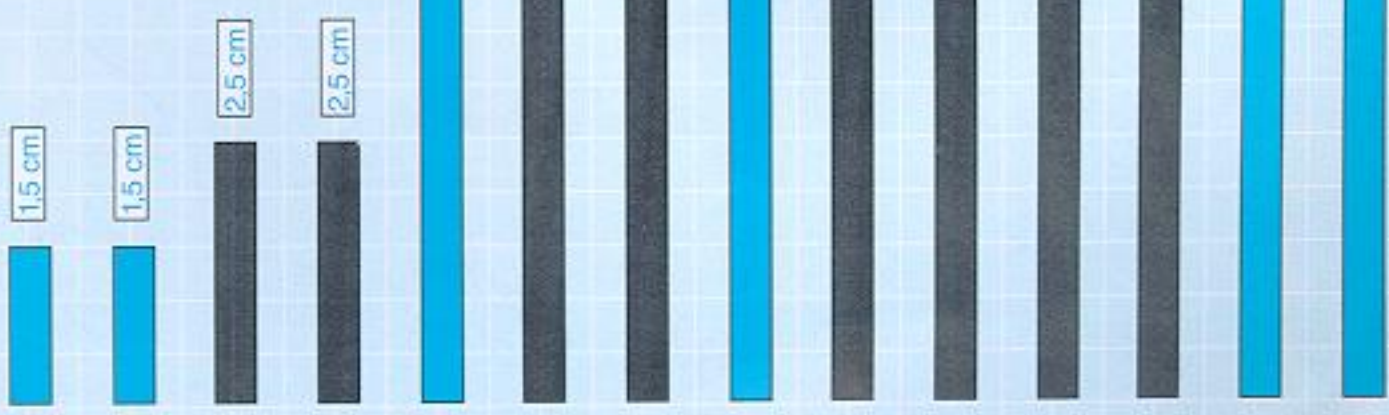
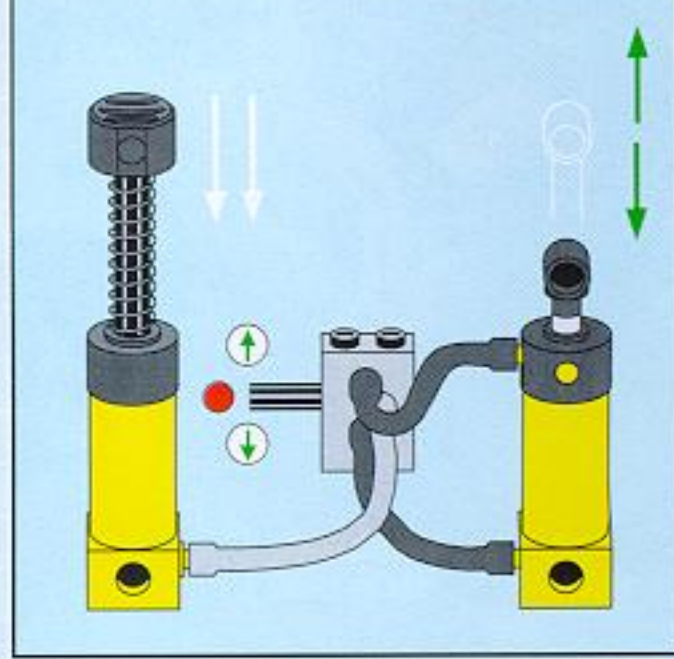
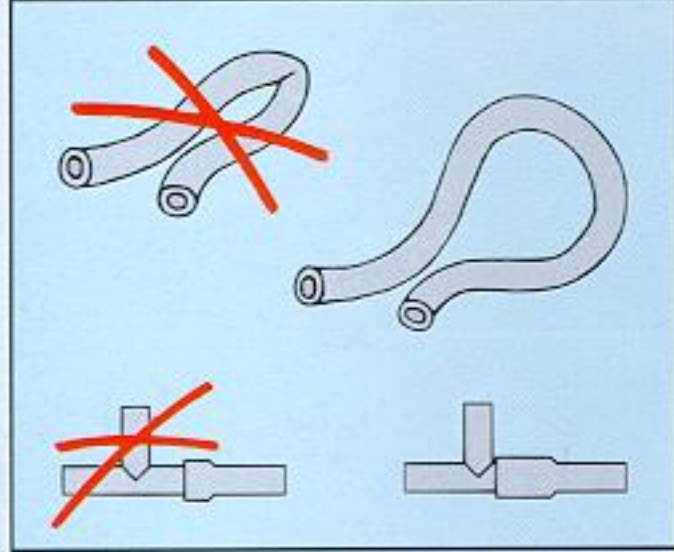
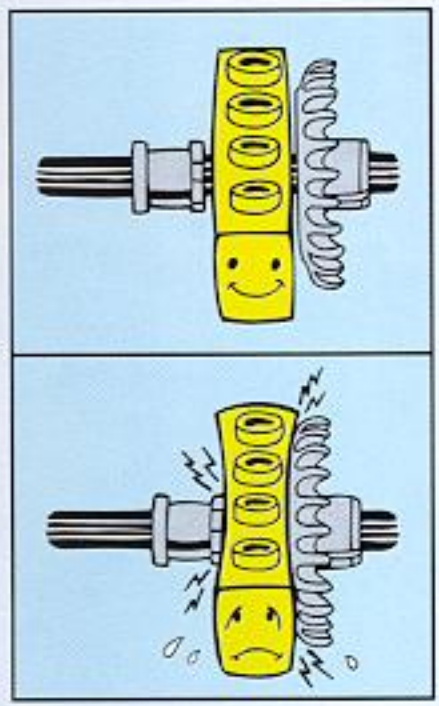
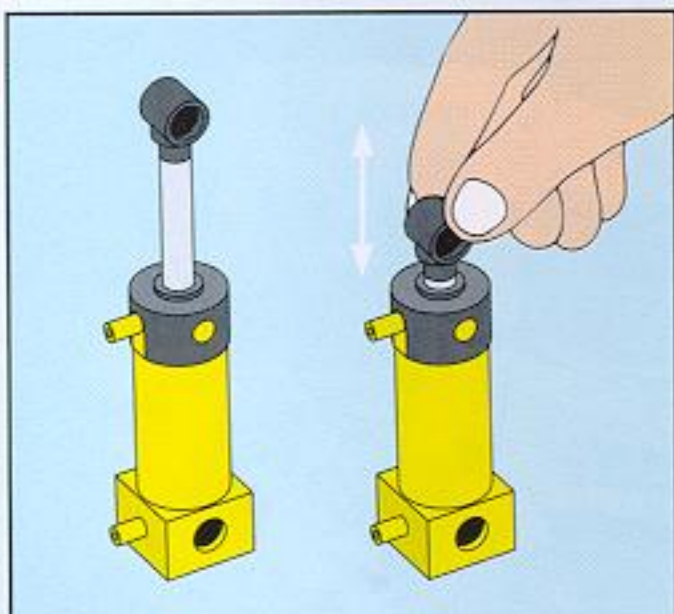
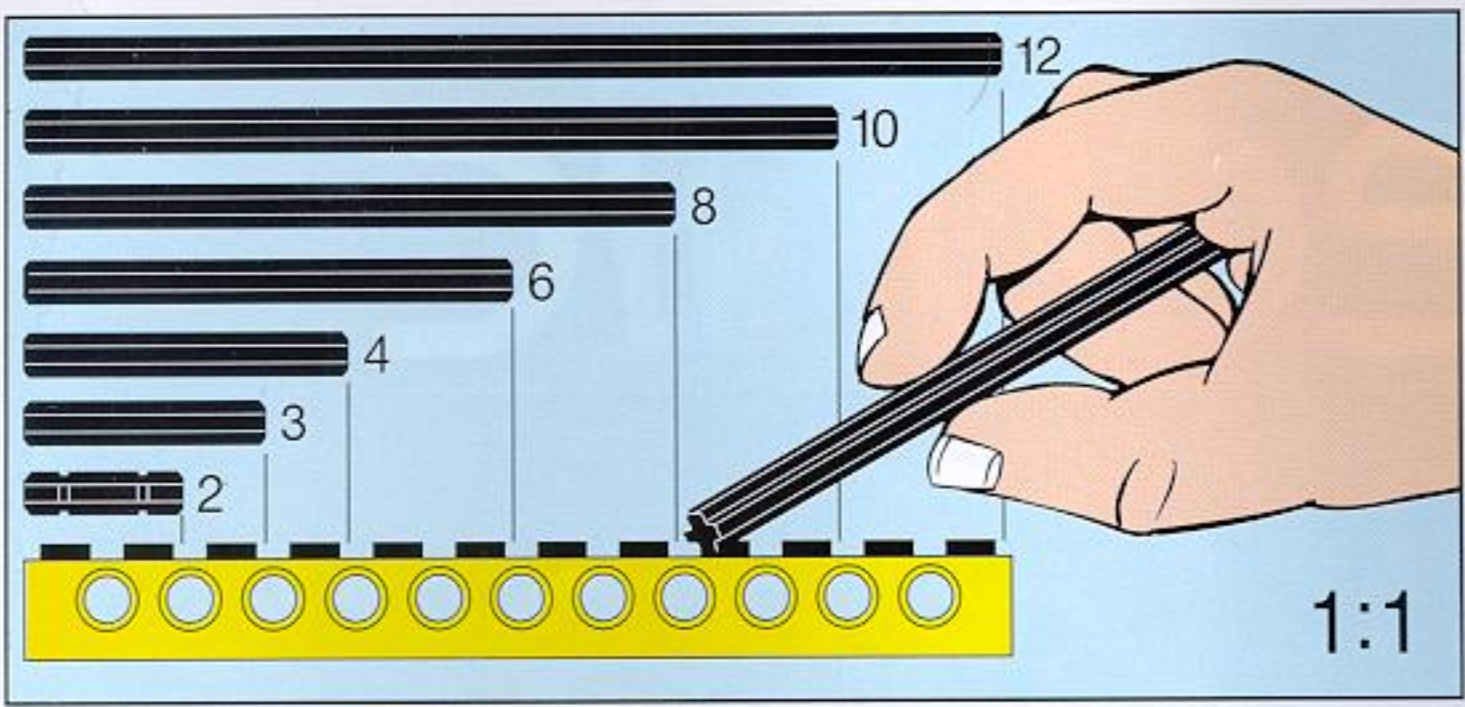


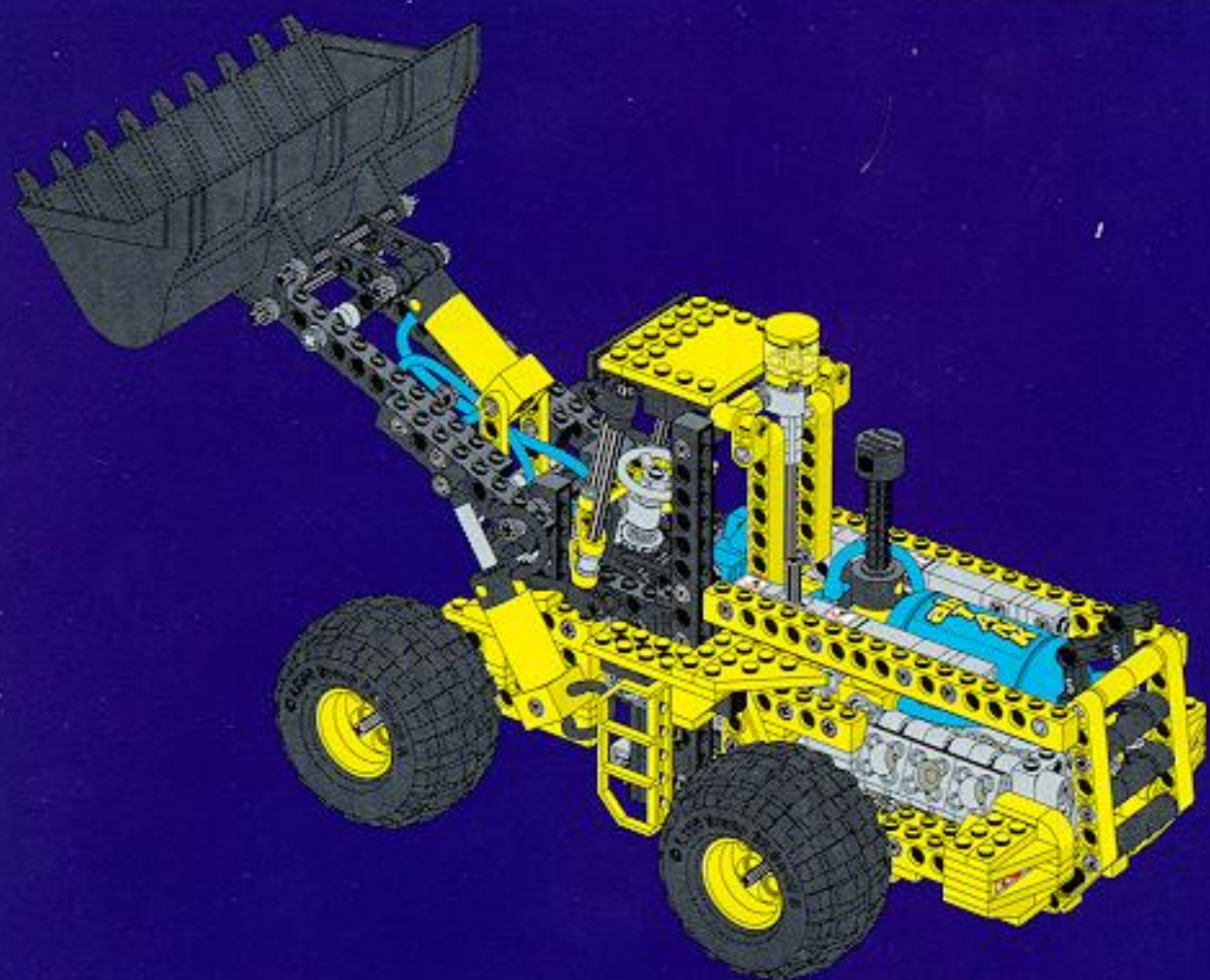


# Technic

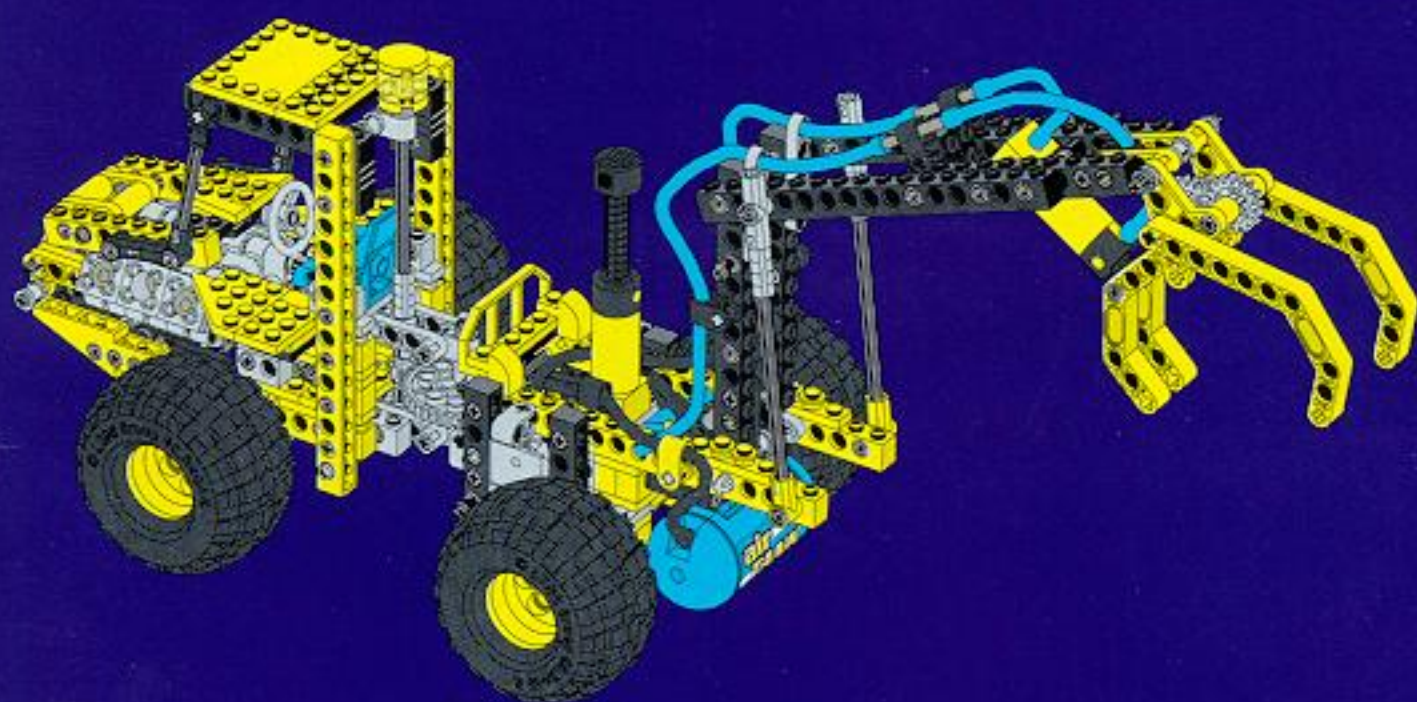


8459

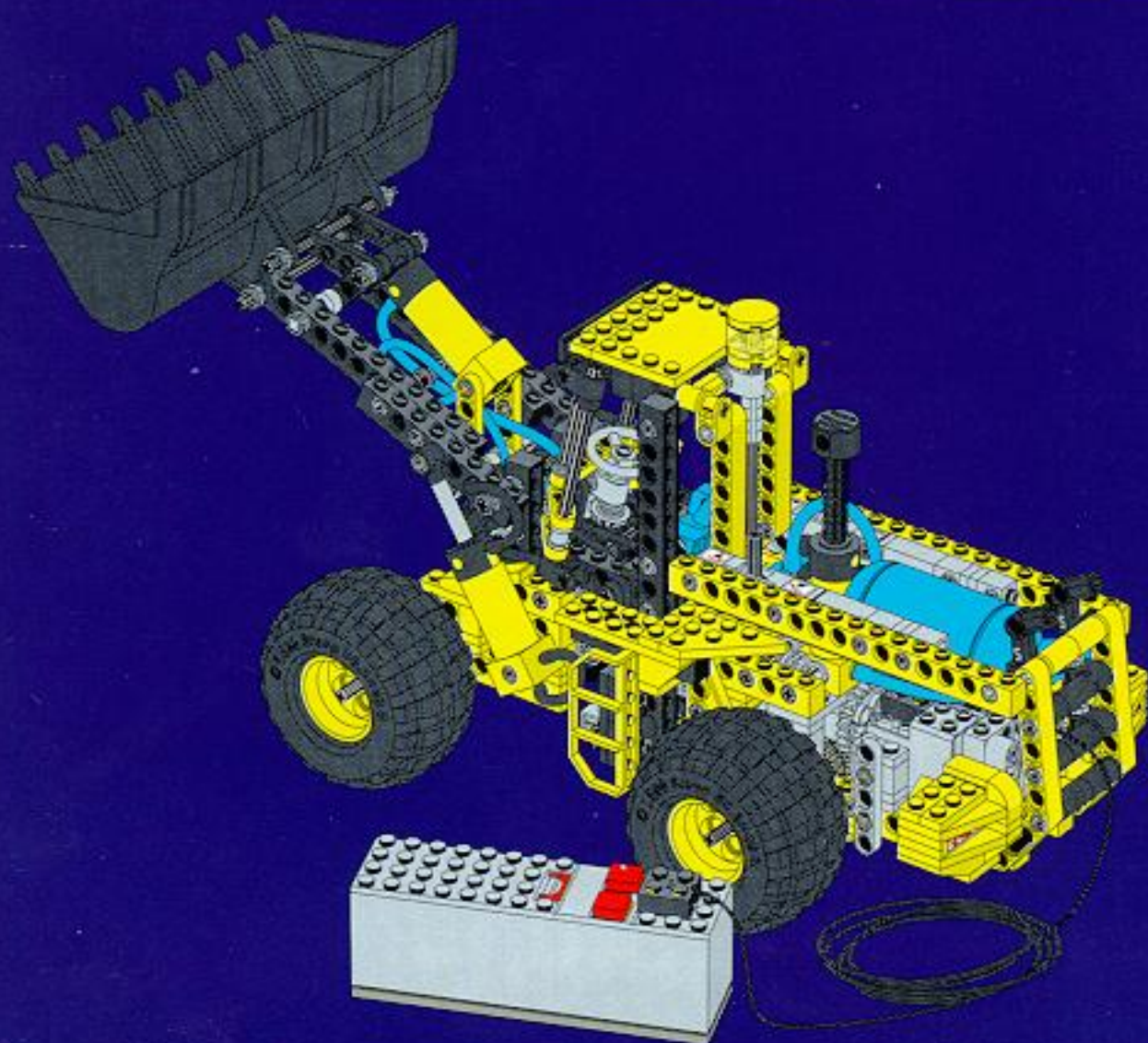




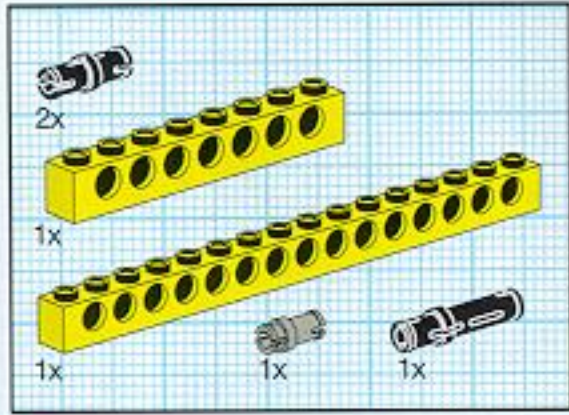
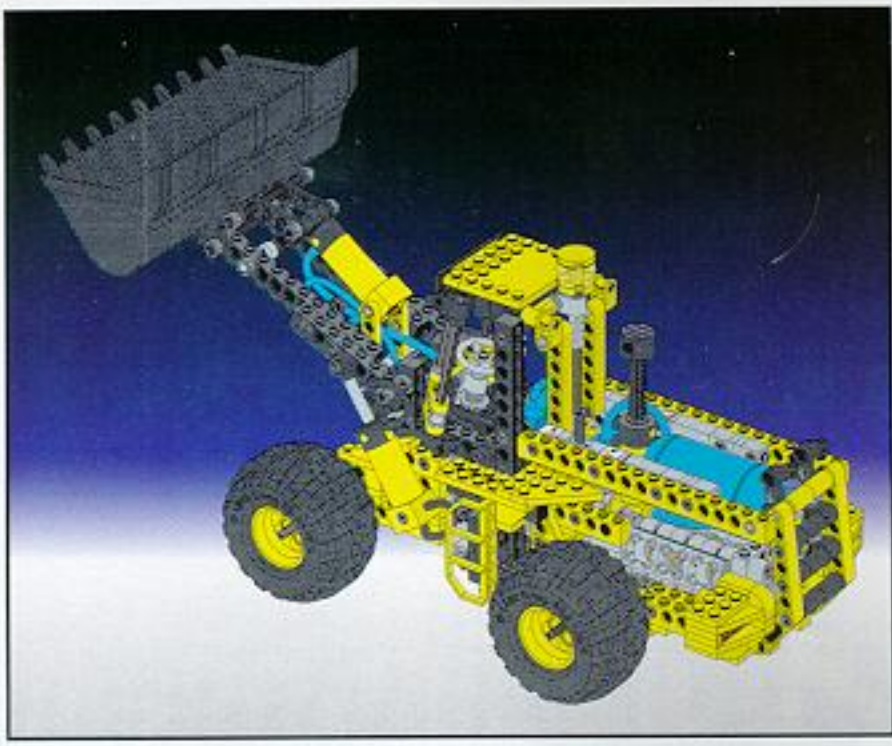
4 - 49



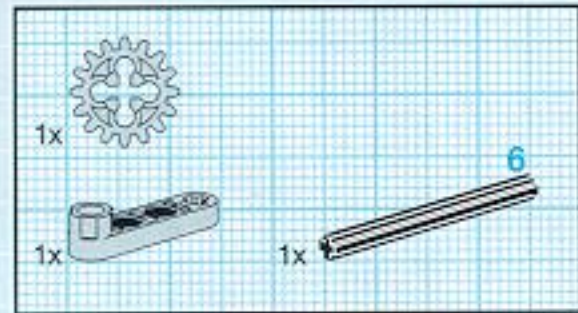
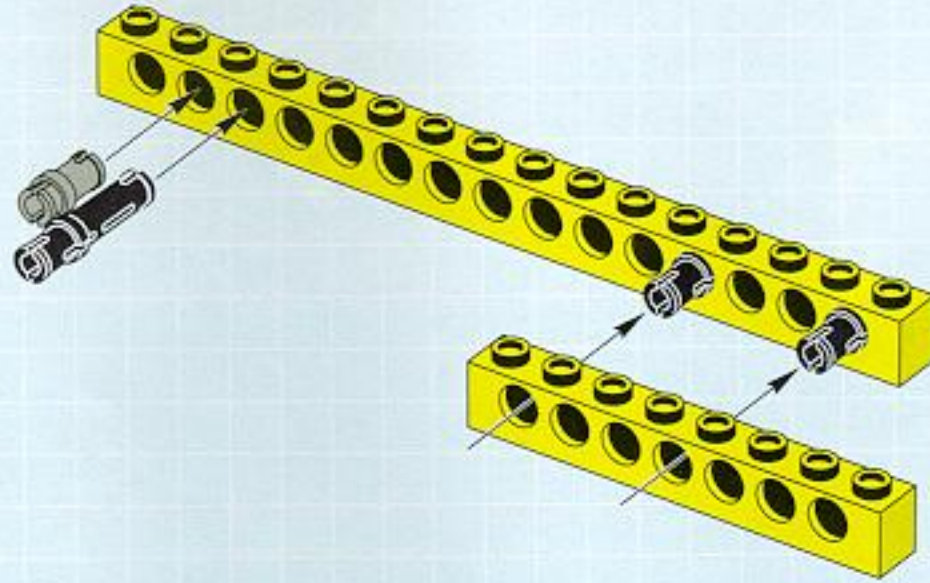
50 - 89



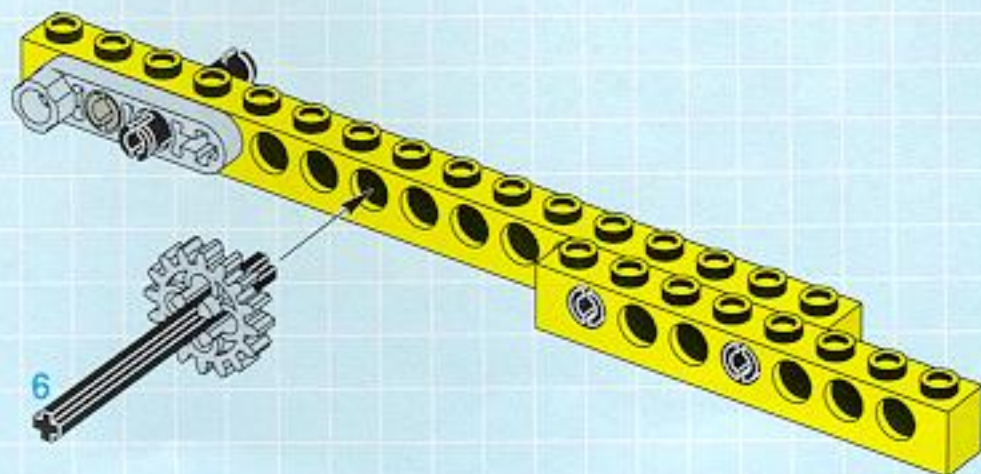
90 - 98

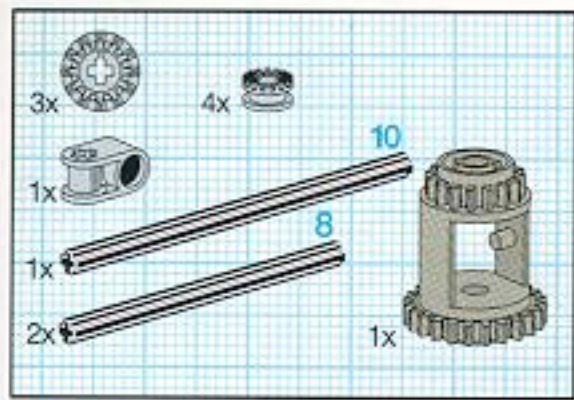


1

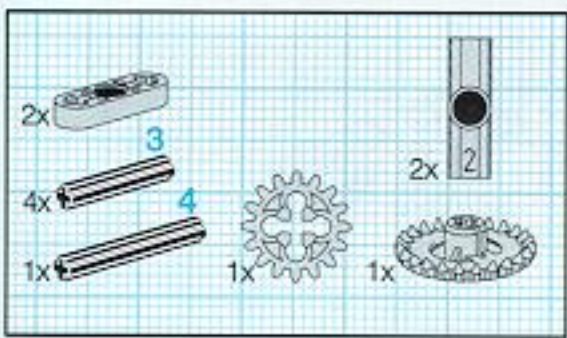
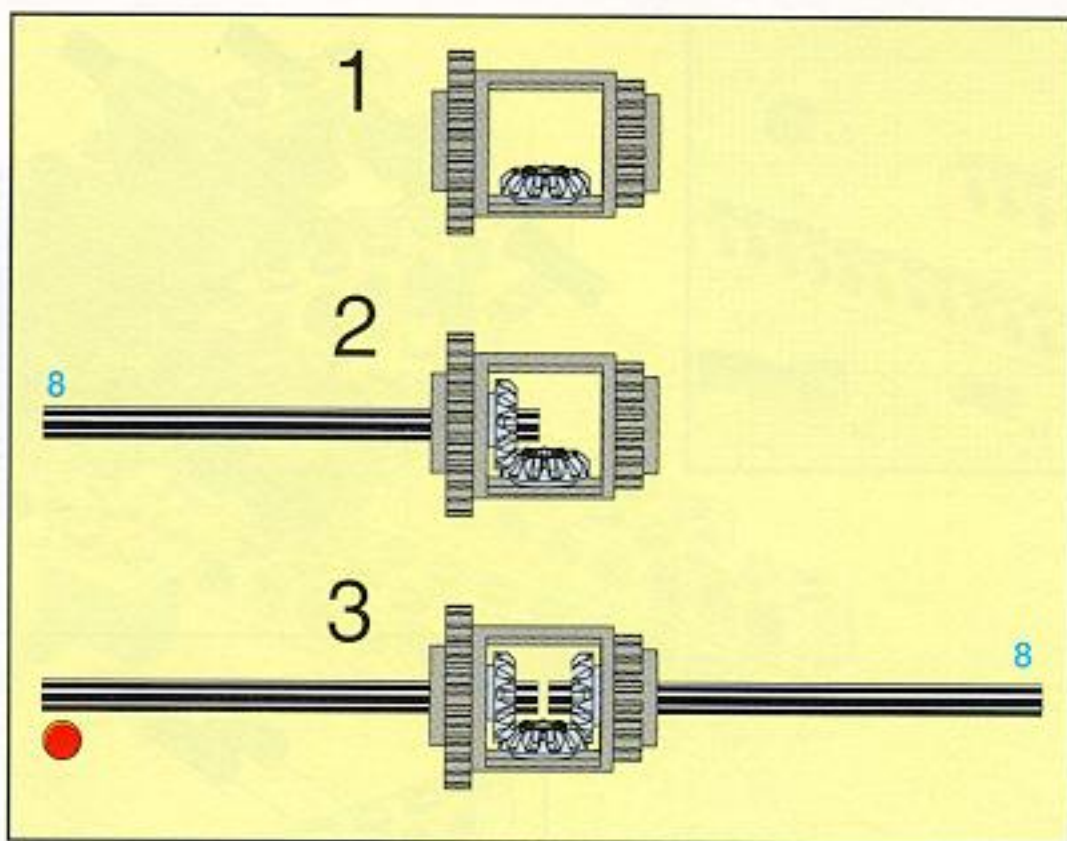
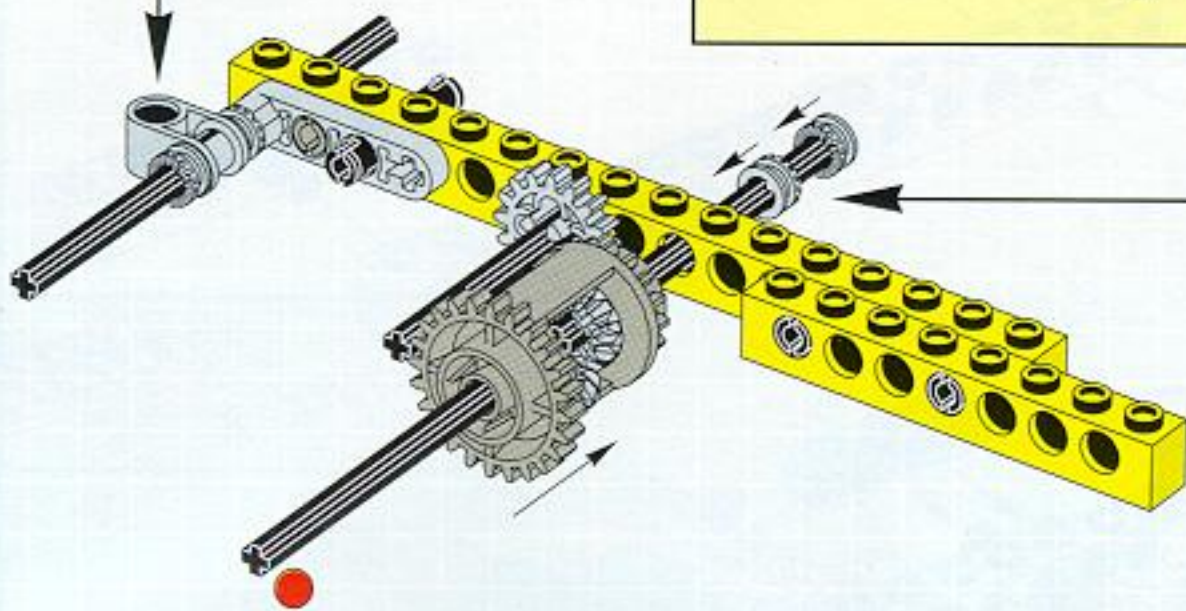
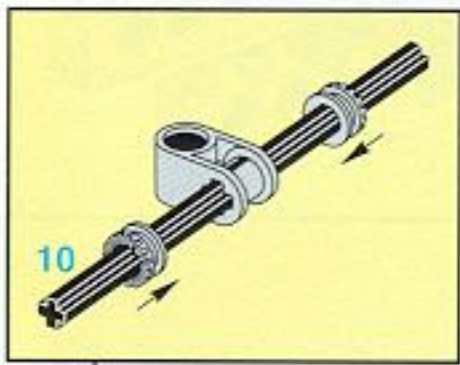


2

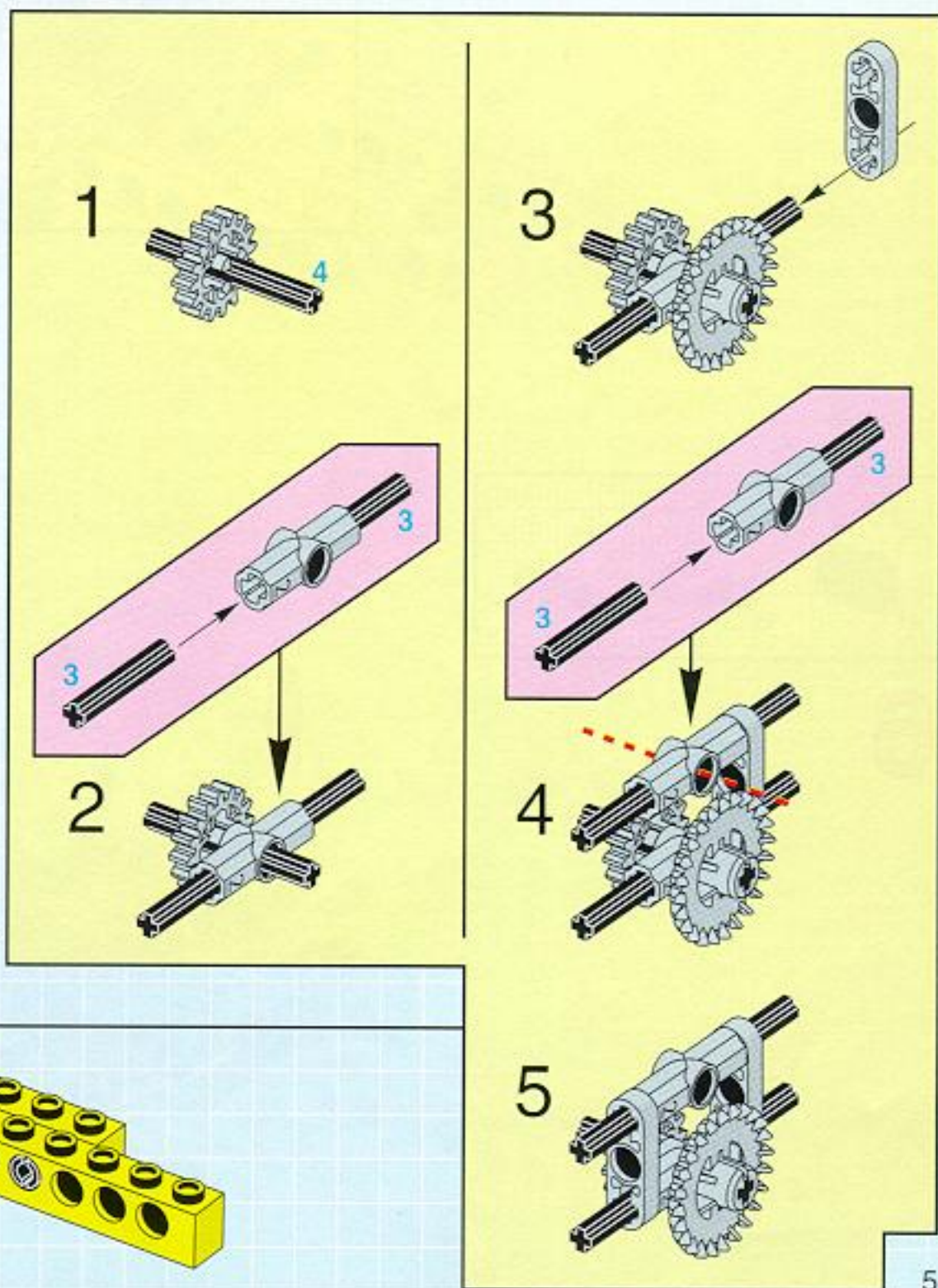
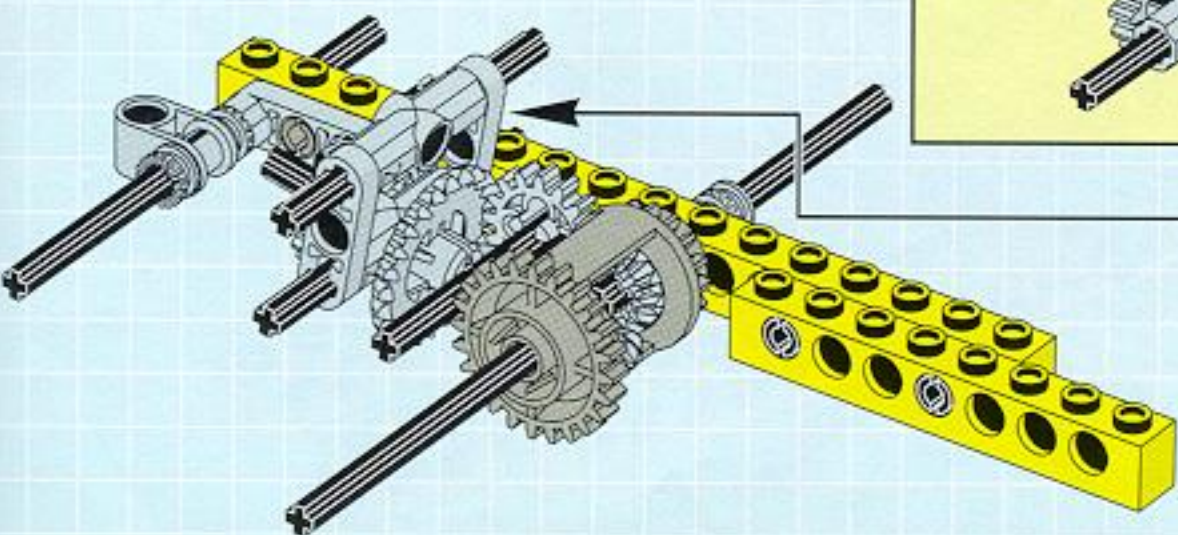


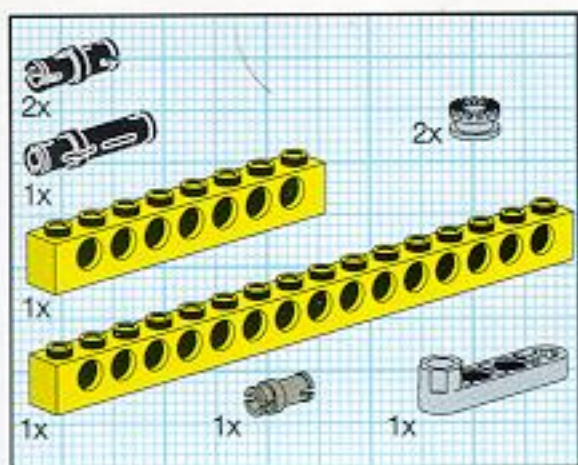


3

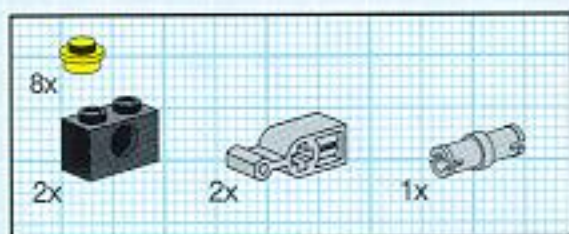
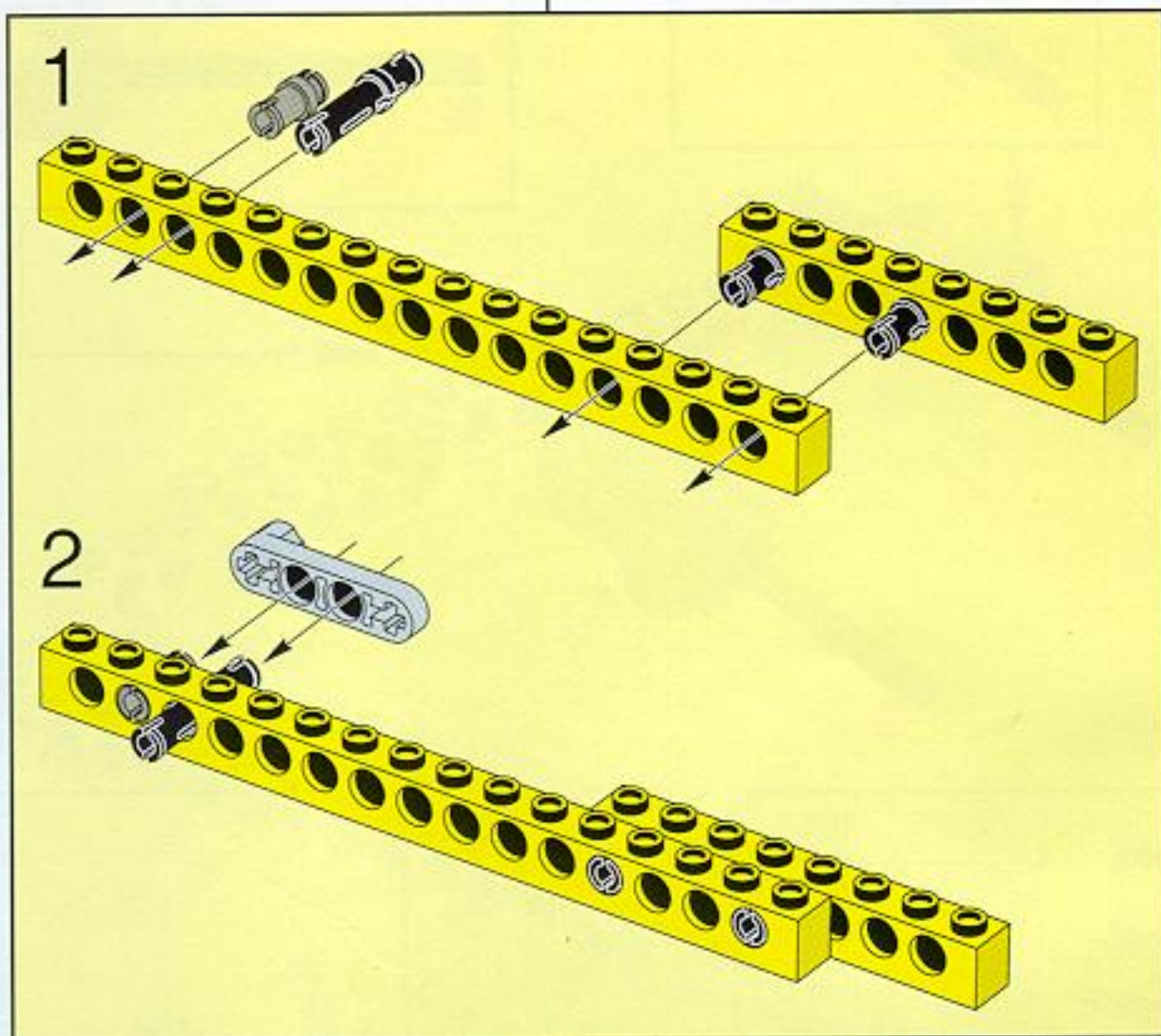
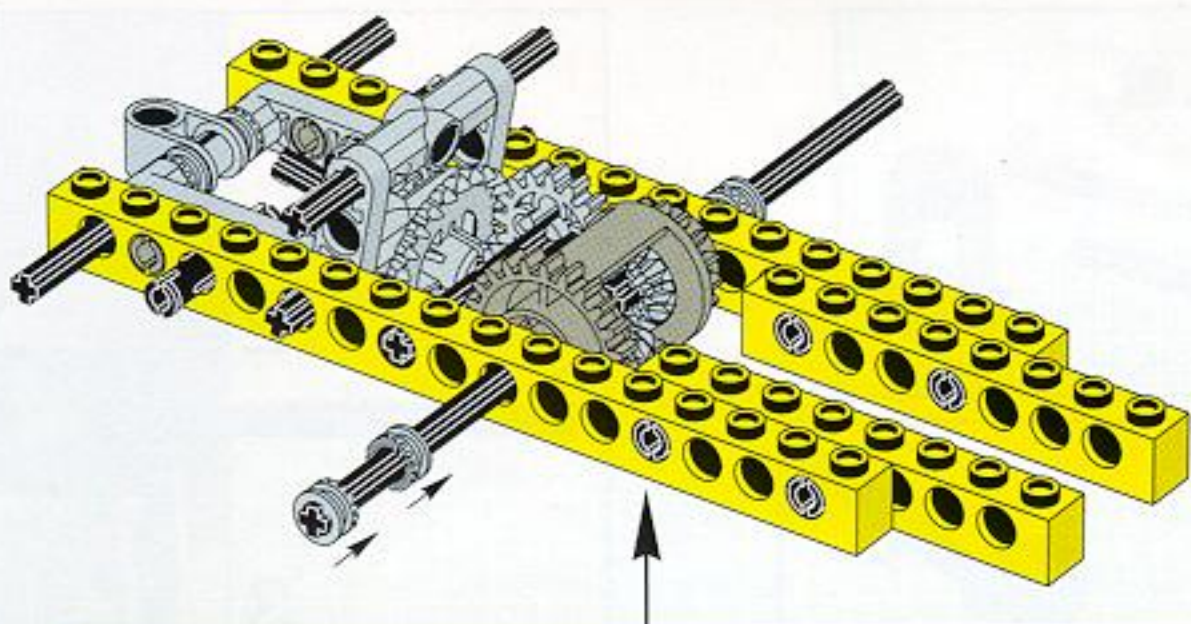


4

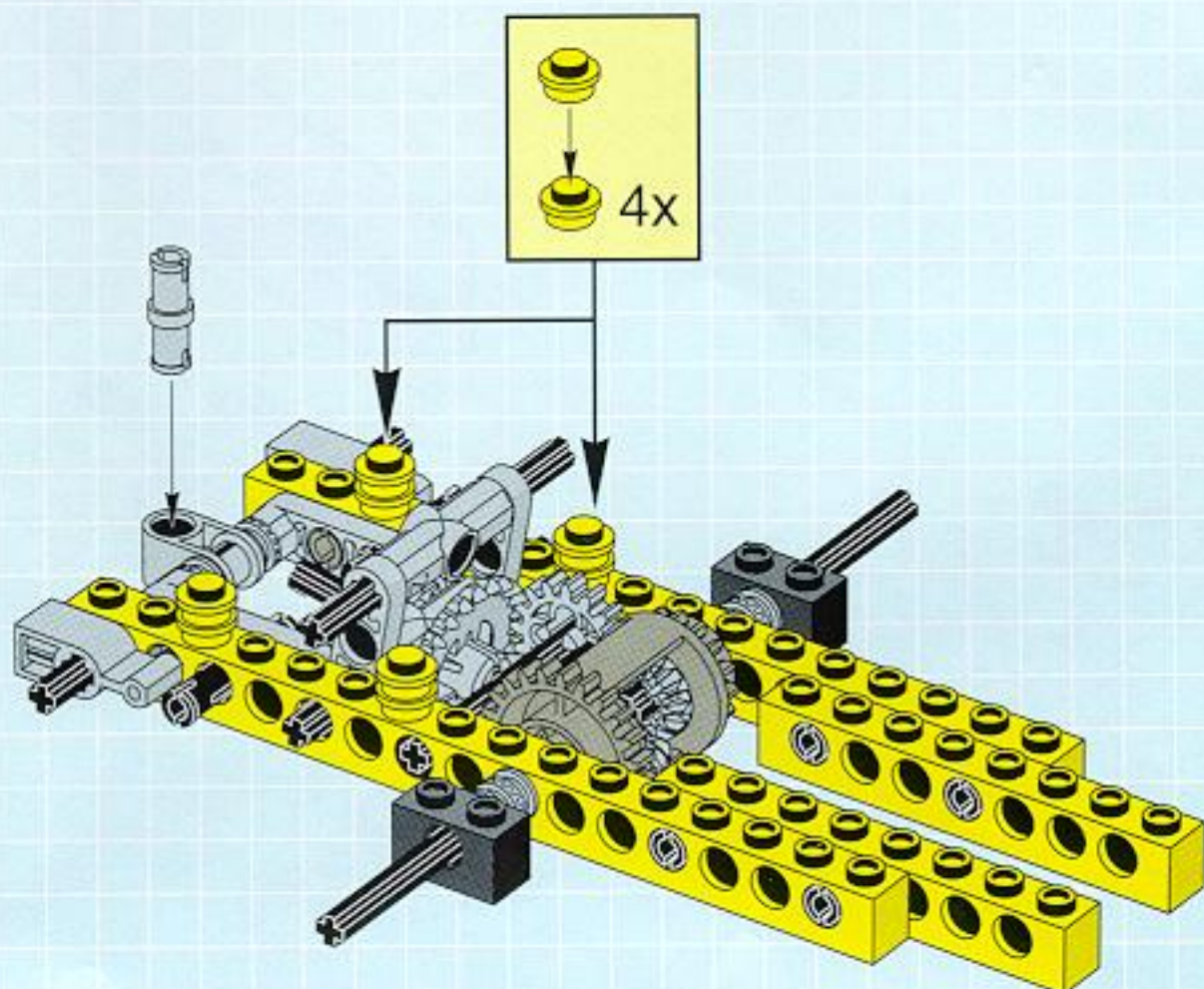




5

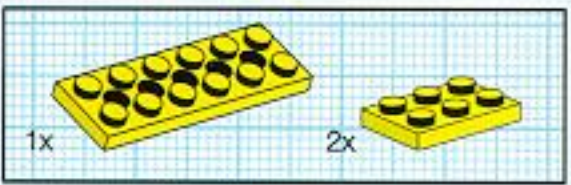
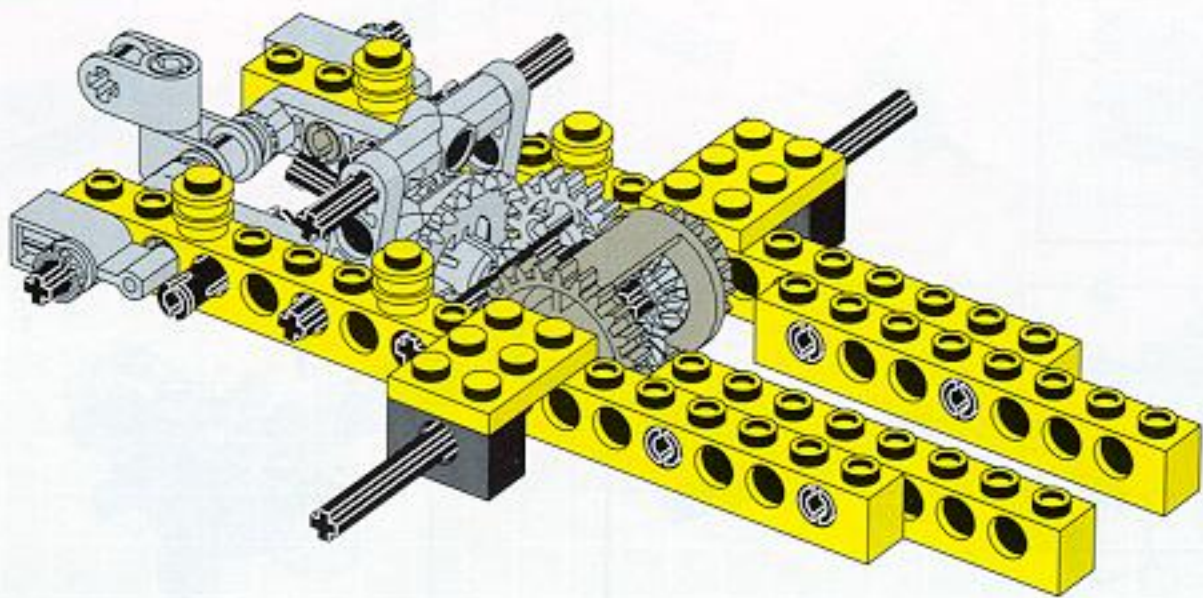


6

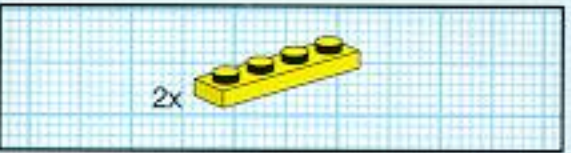
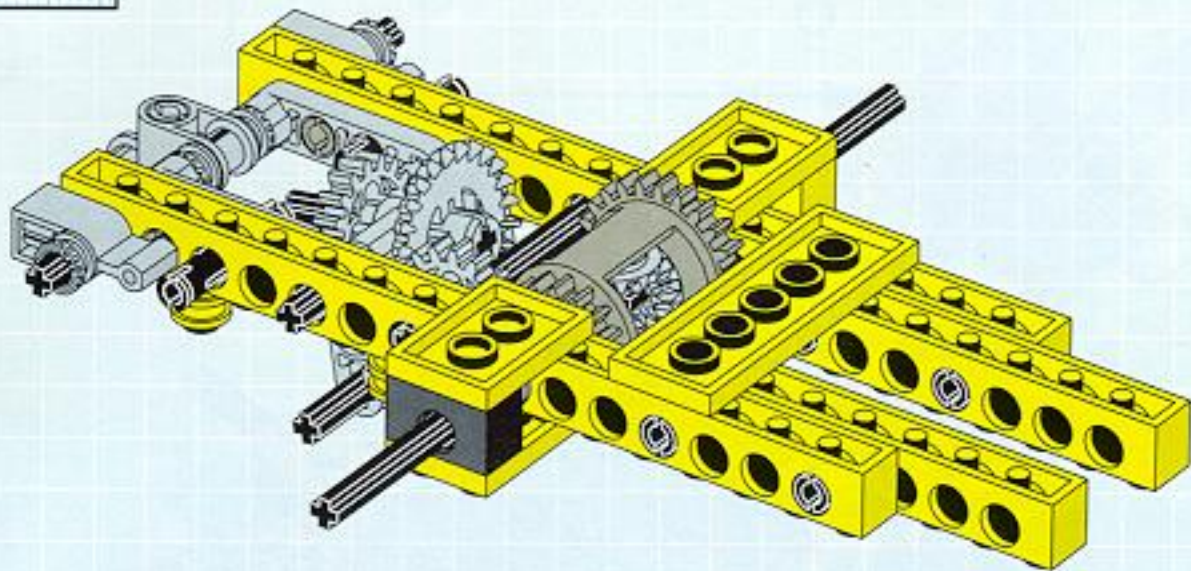




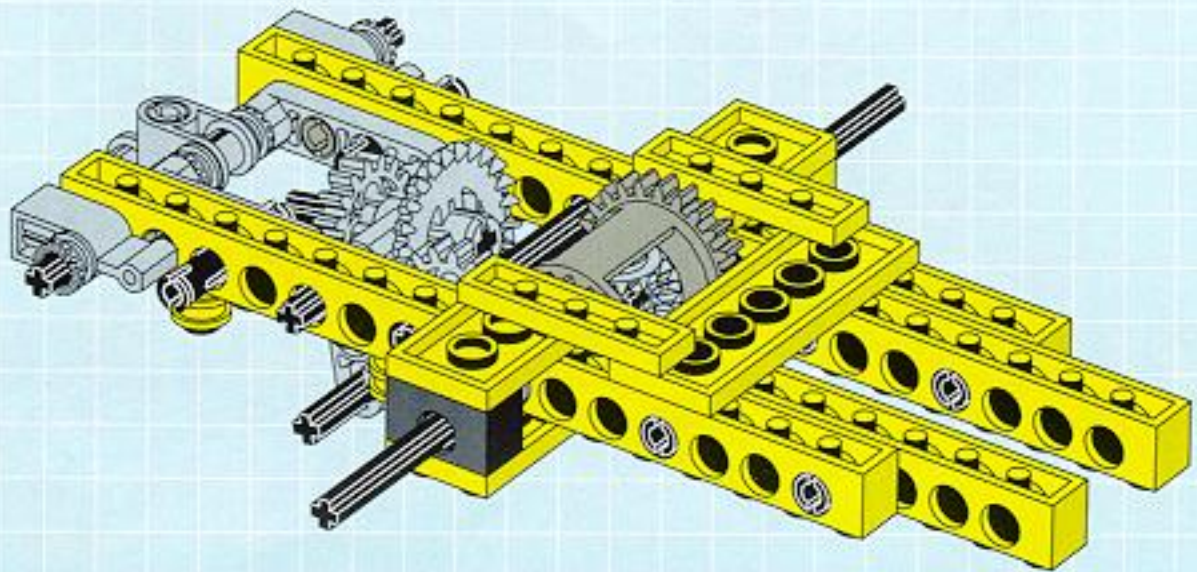
7

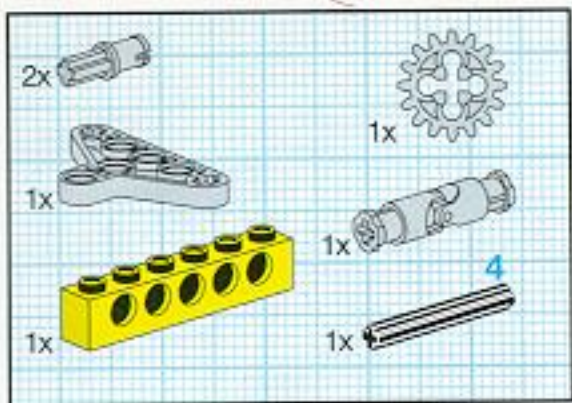


8

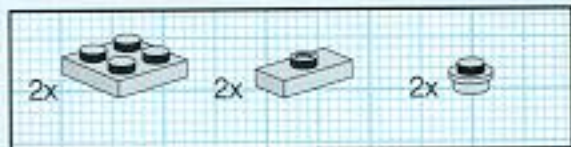
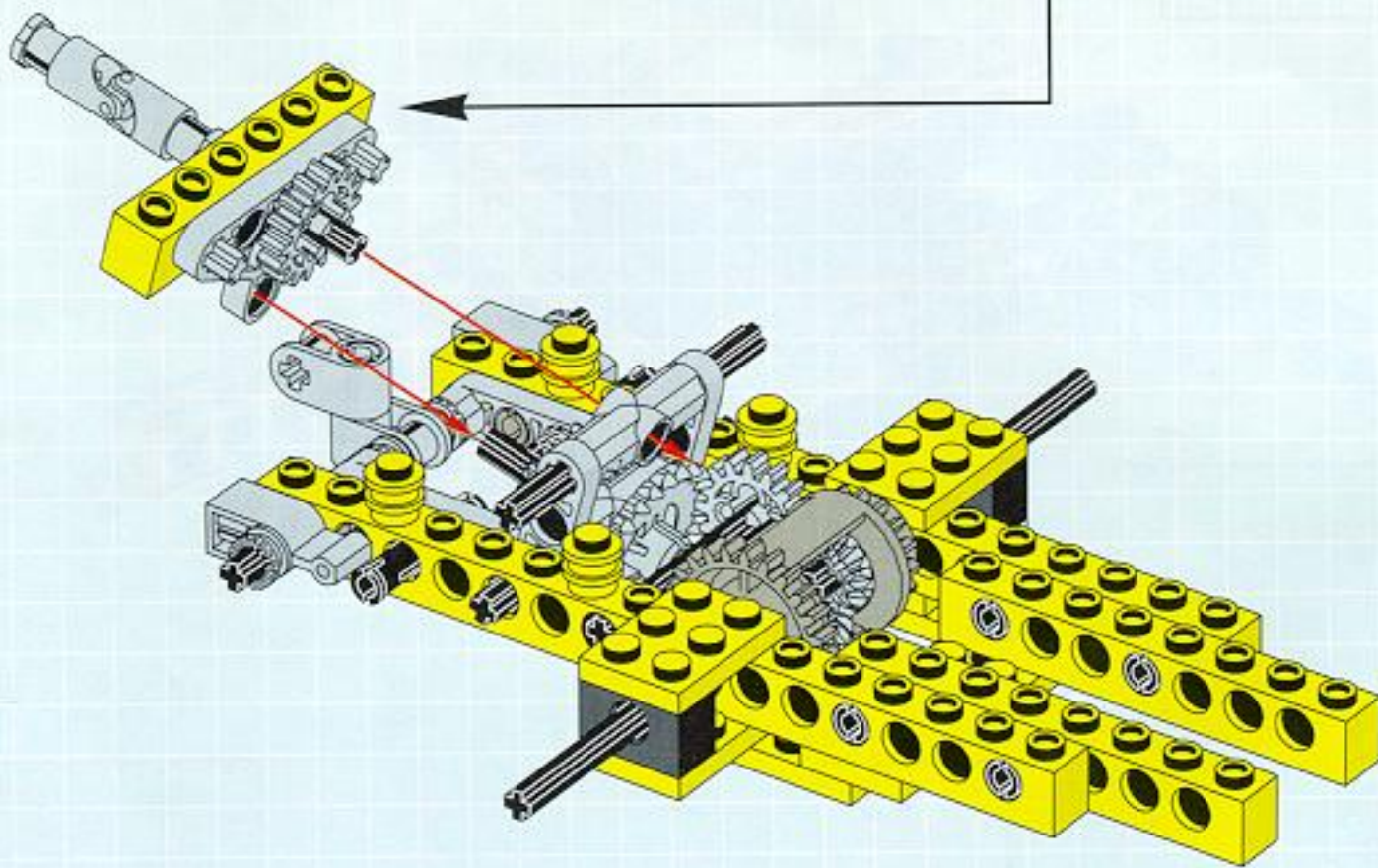
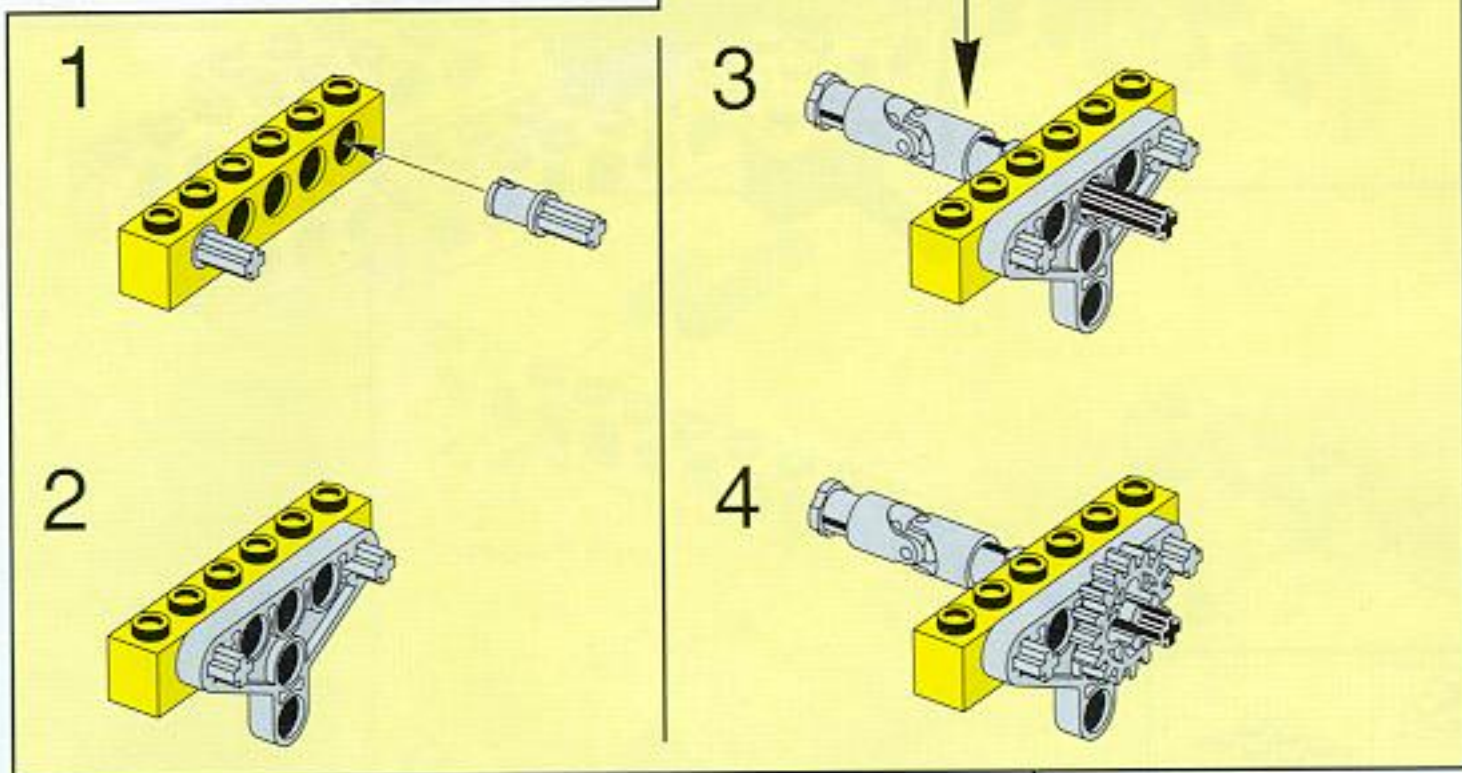


9

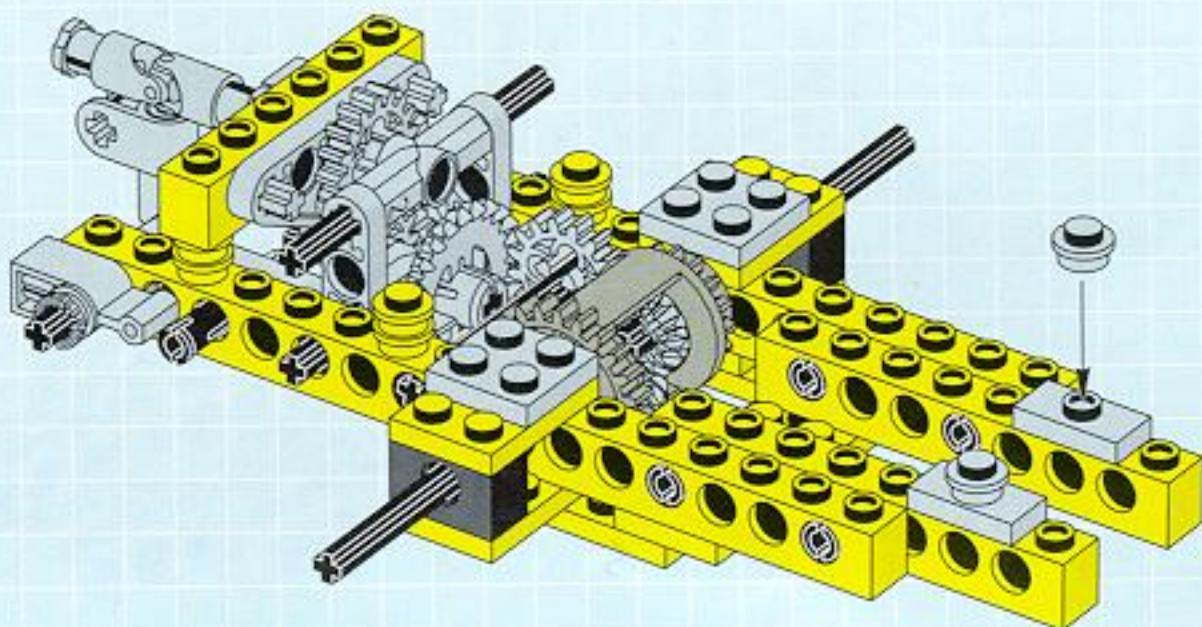




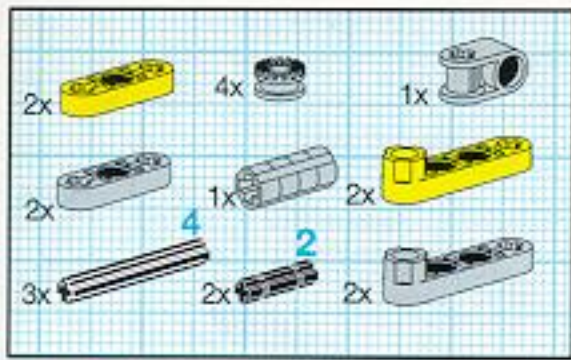
10



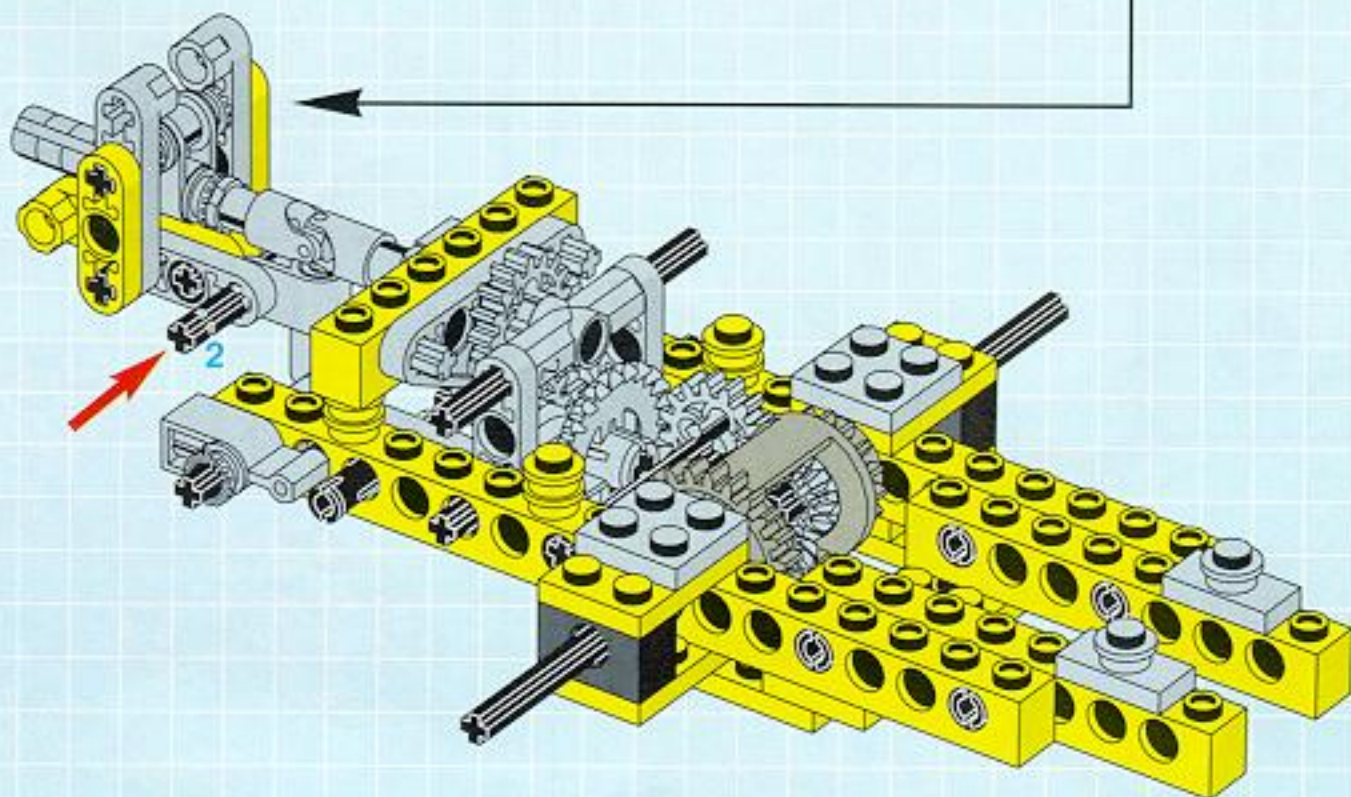
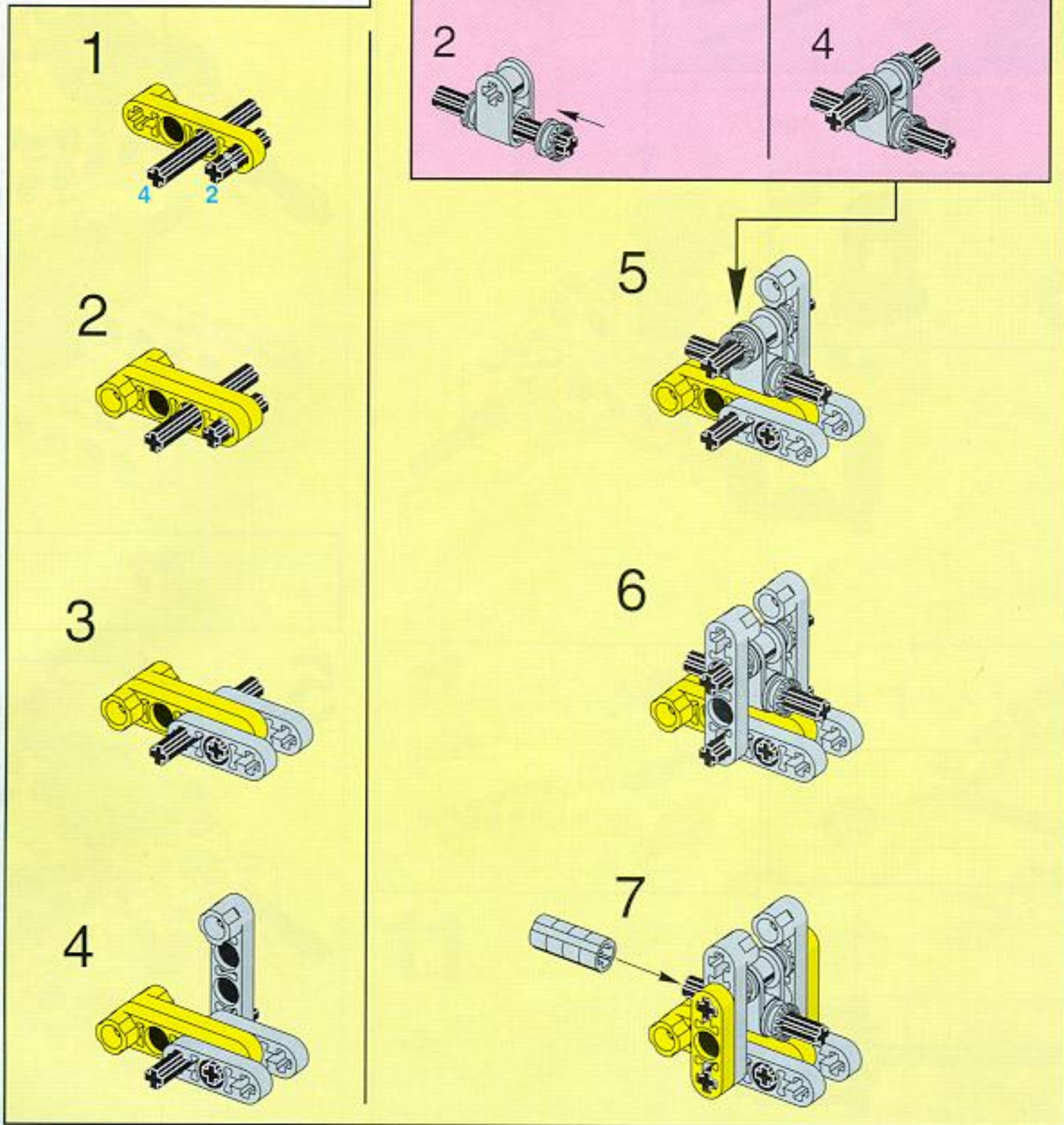
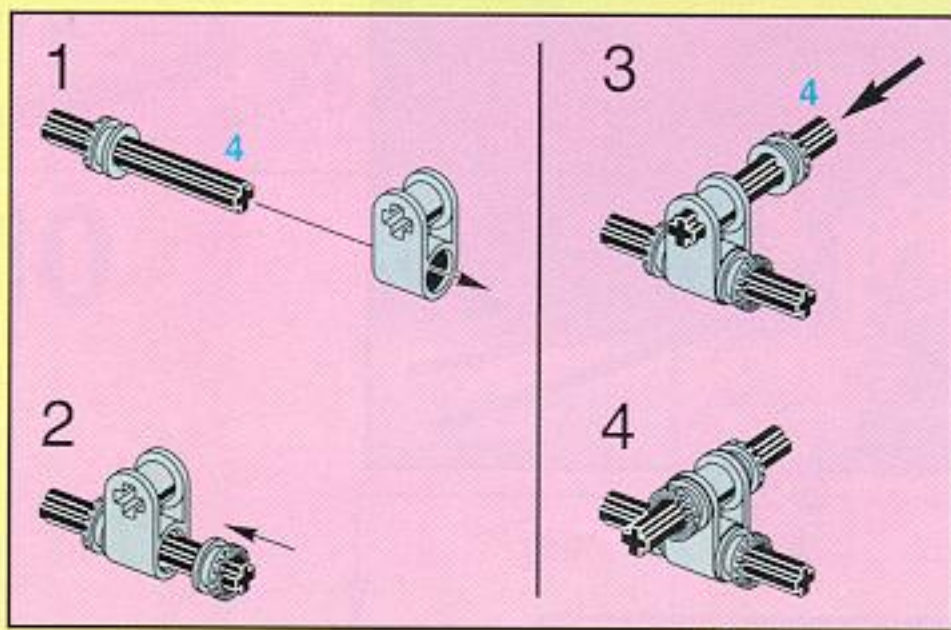
11

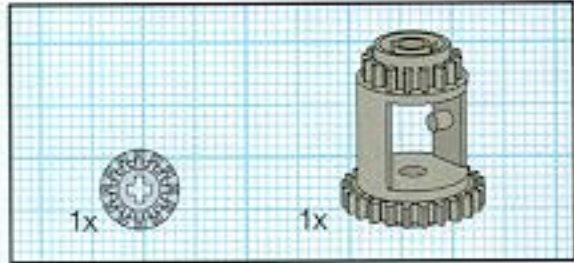
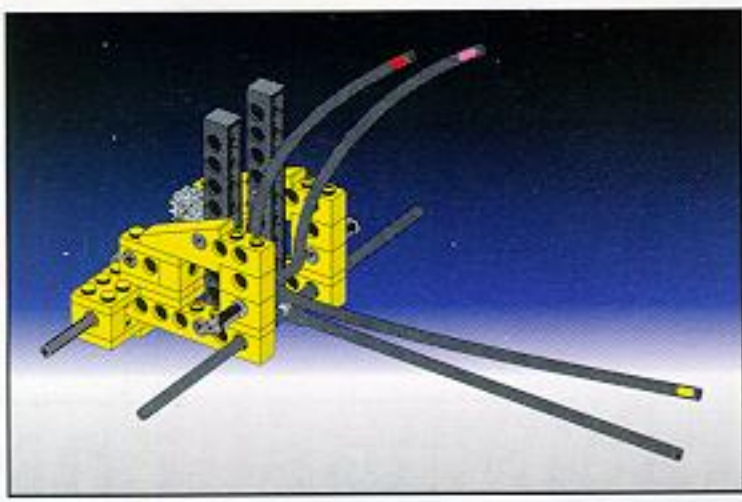




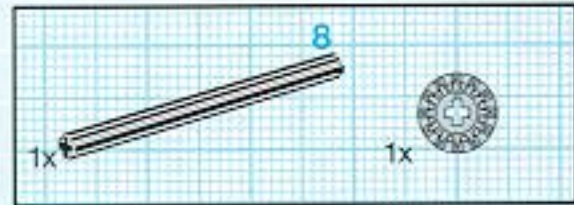


12

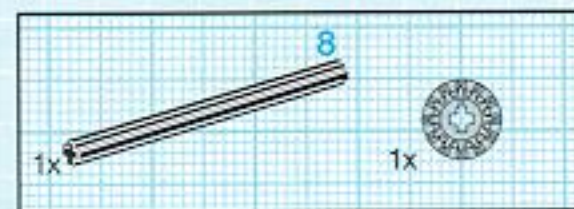
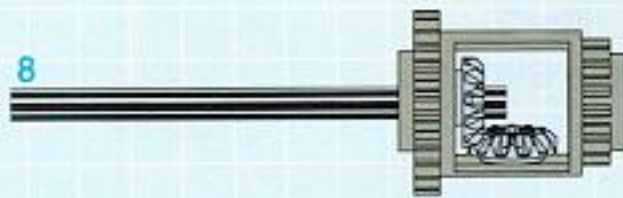




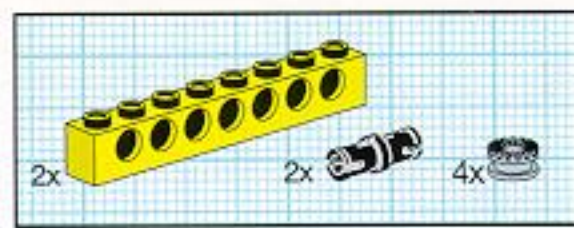
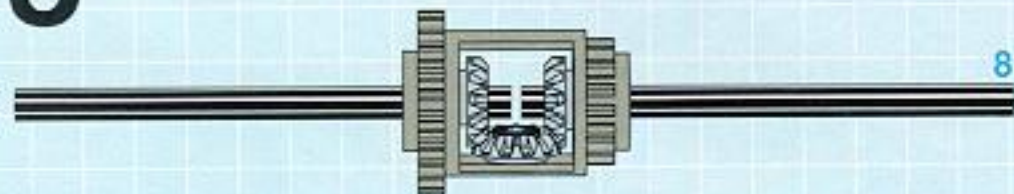
1



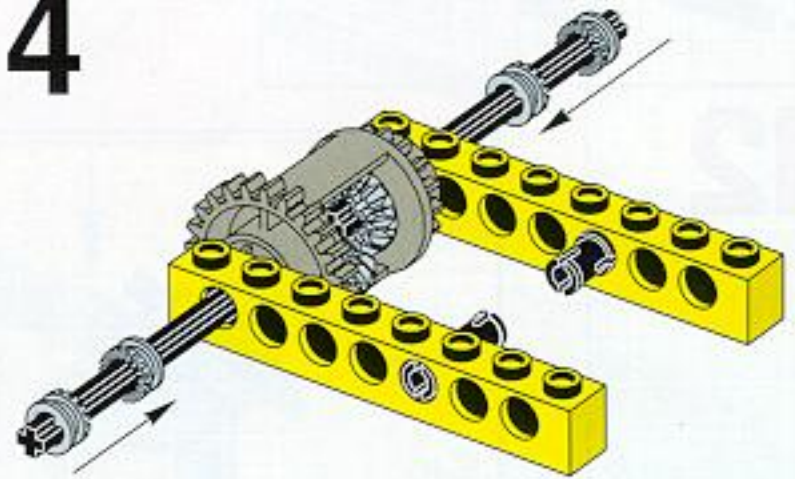
2



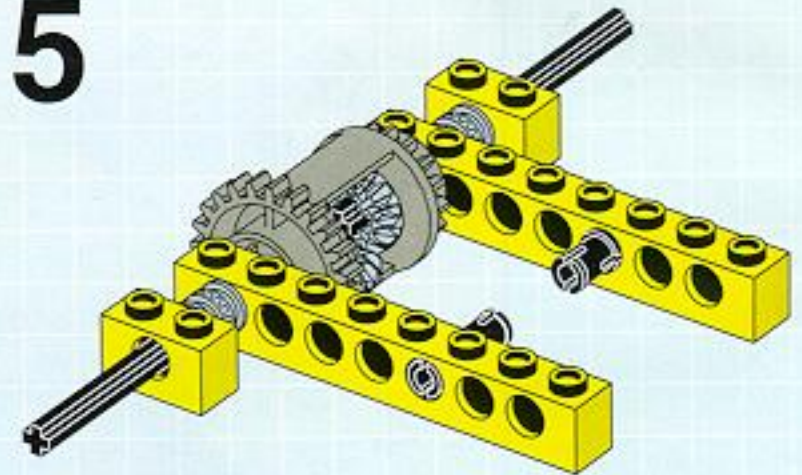
3



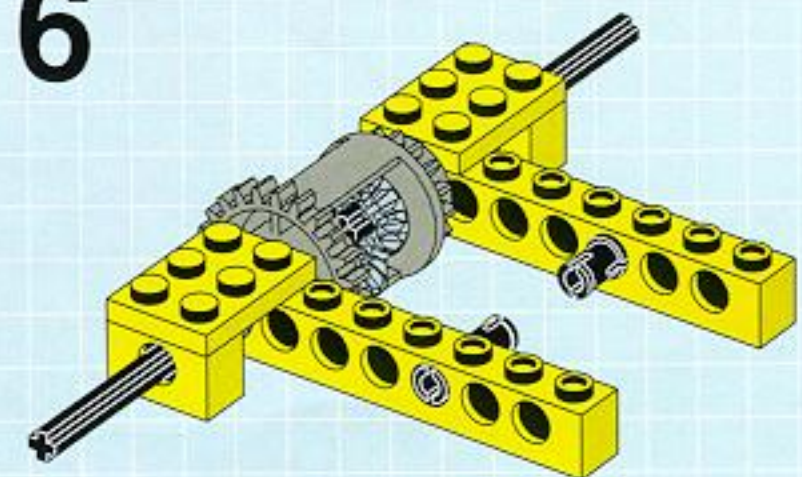
4

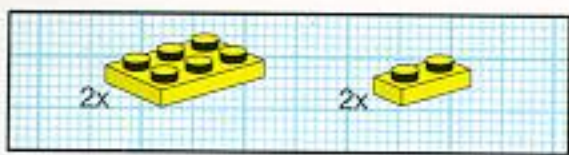


5

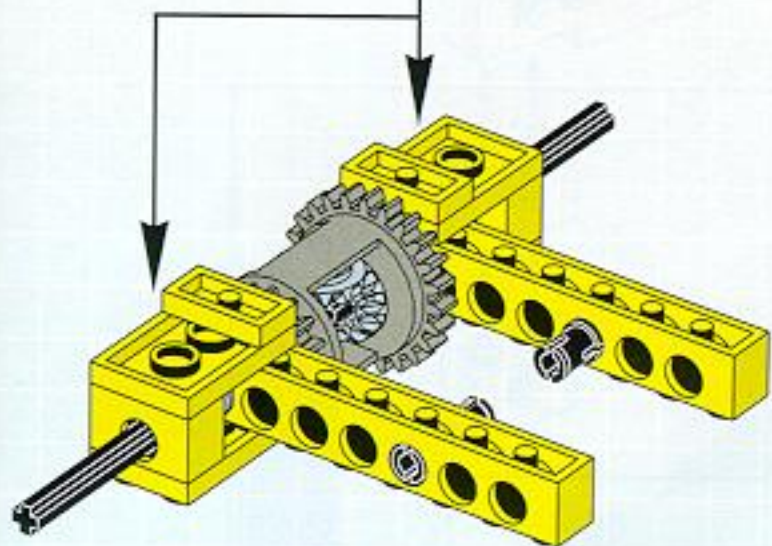
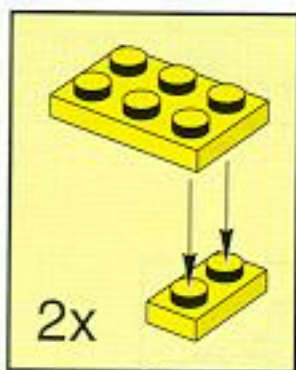


6

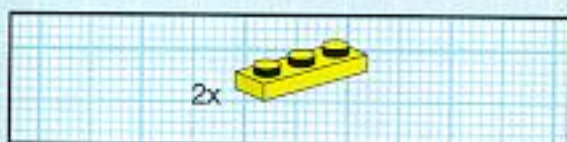
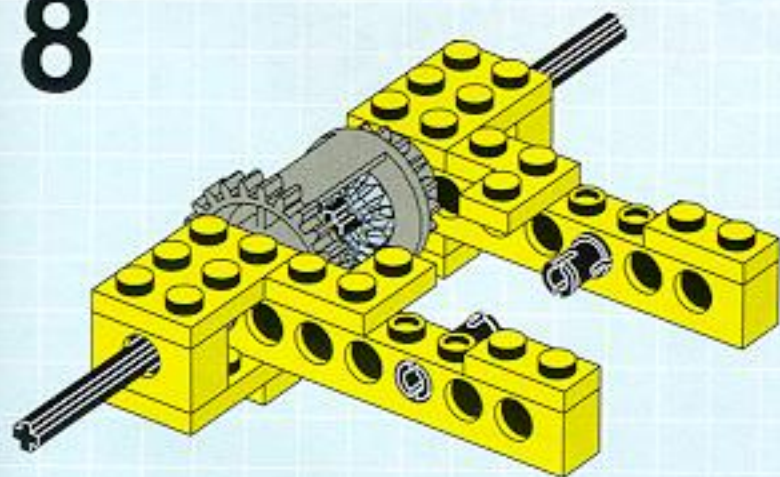




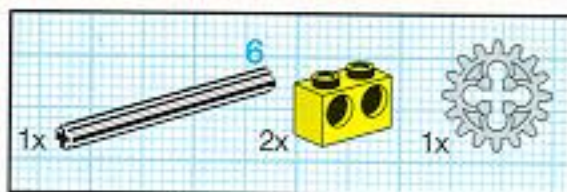
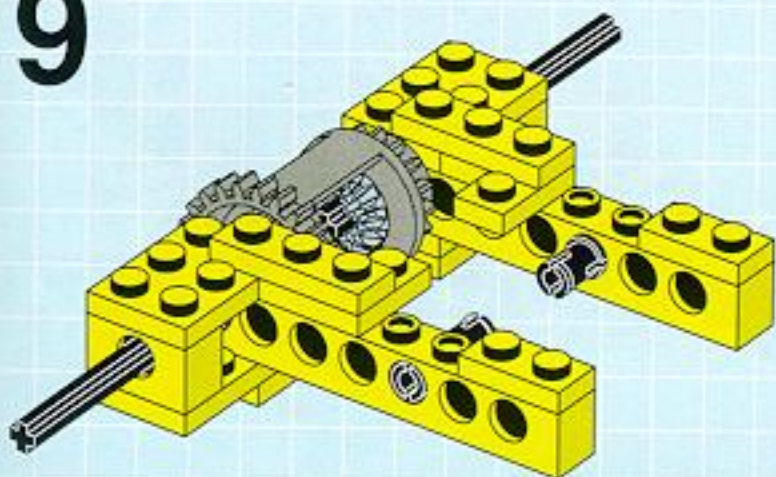
7



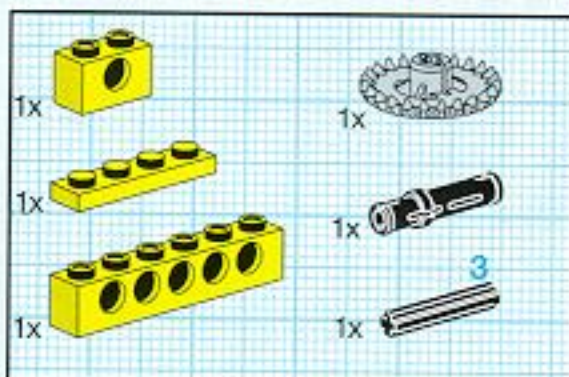
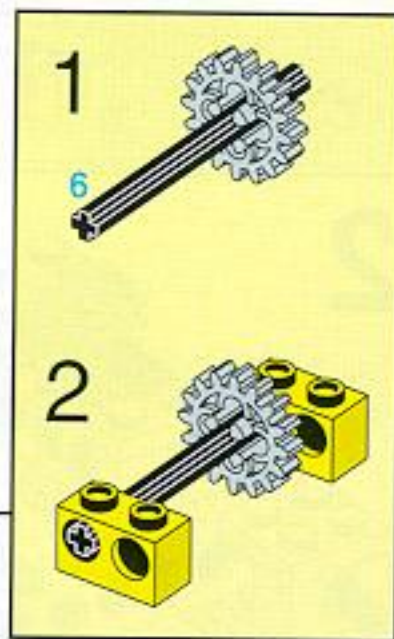
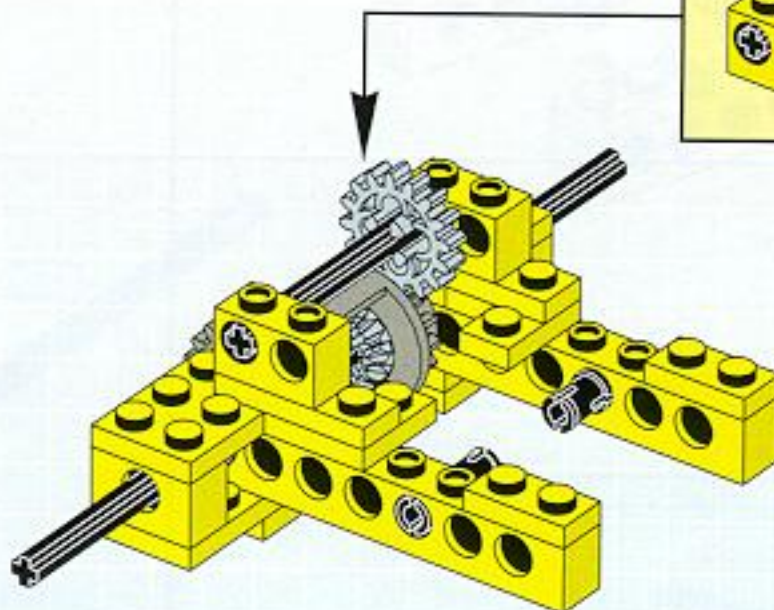
8



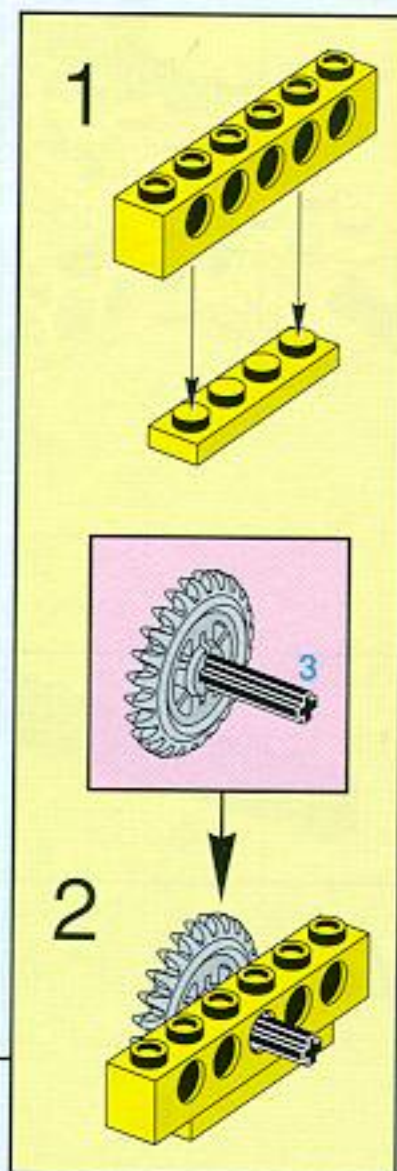
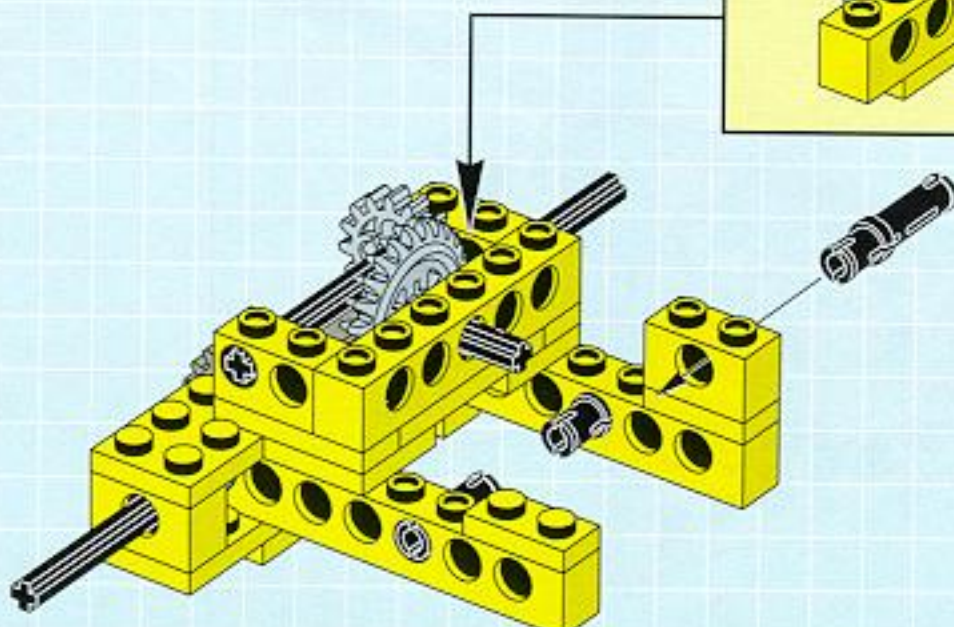
9

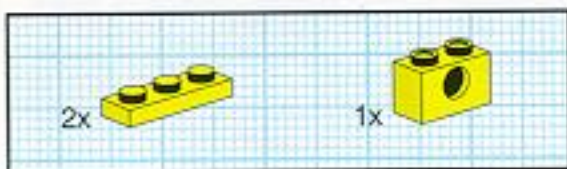


10

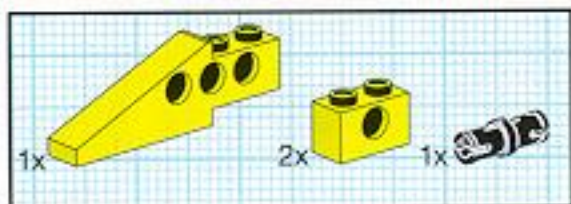
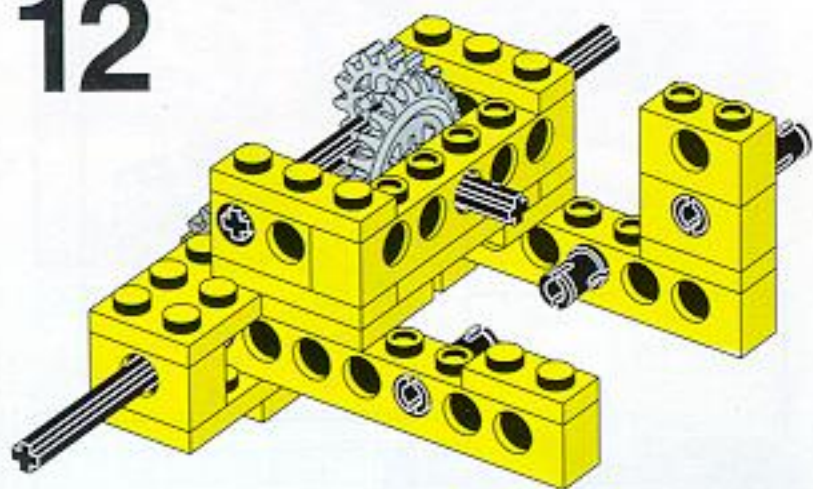


11

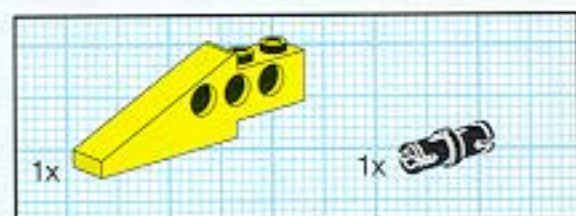
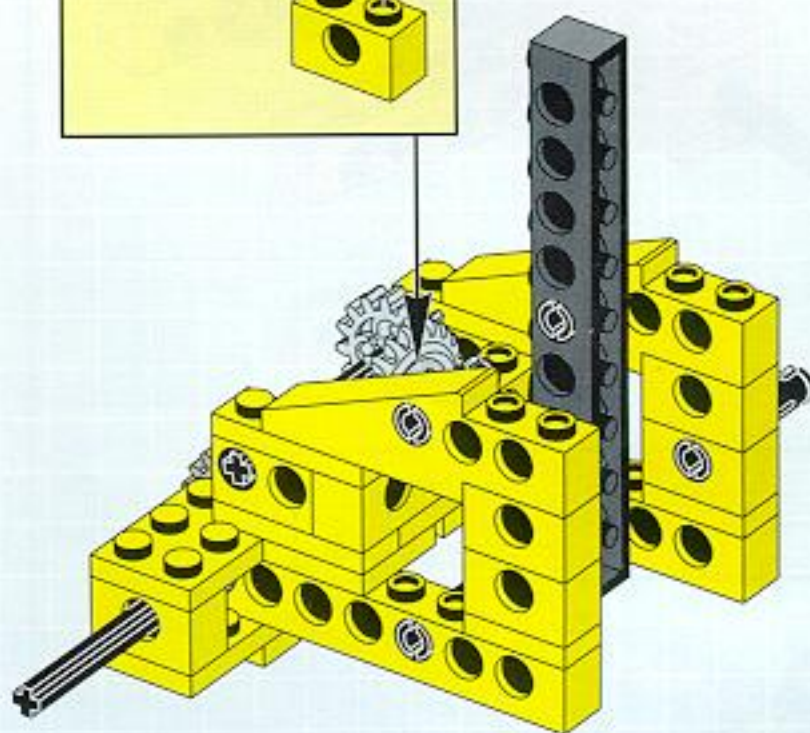
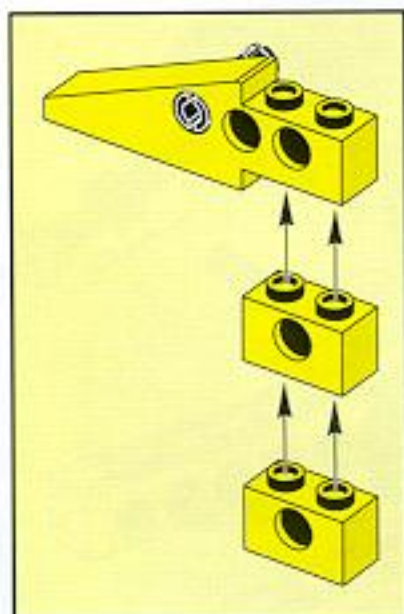




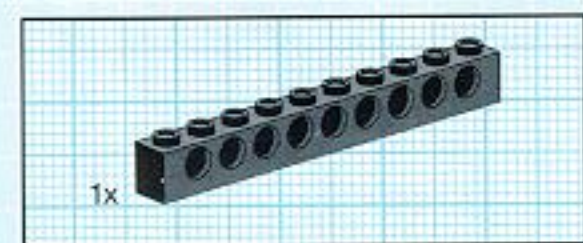
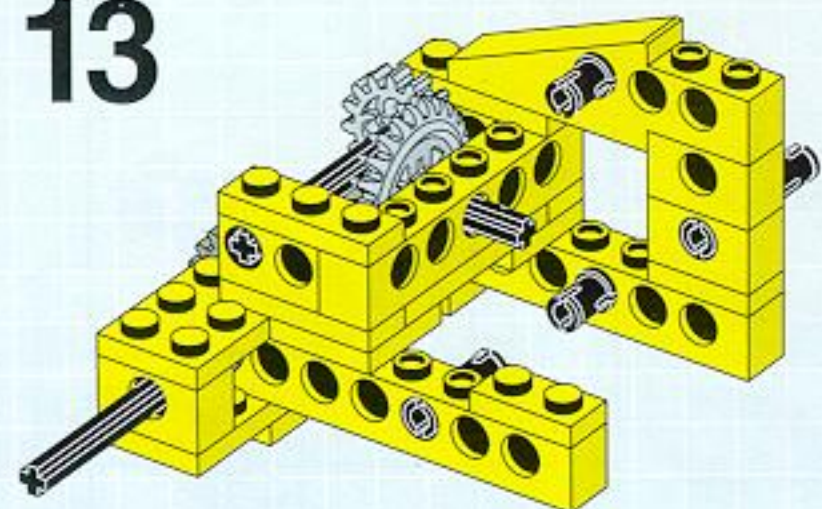
12



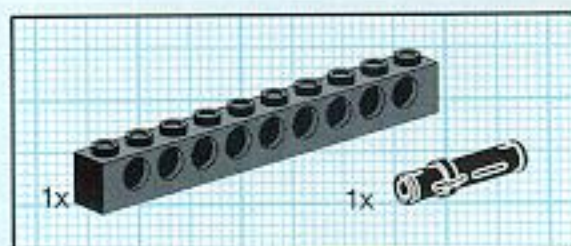
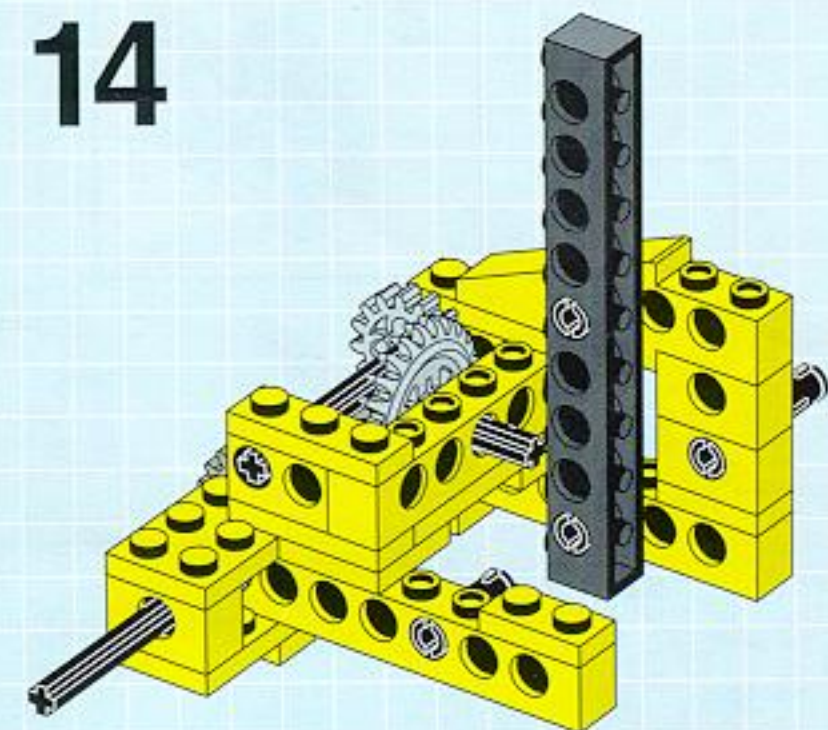
15



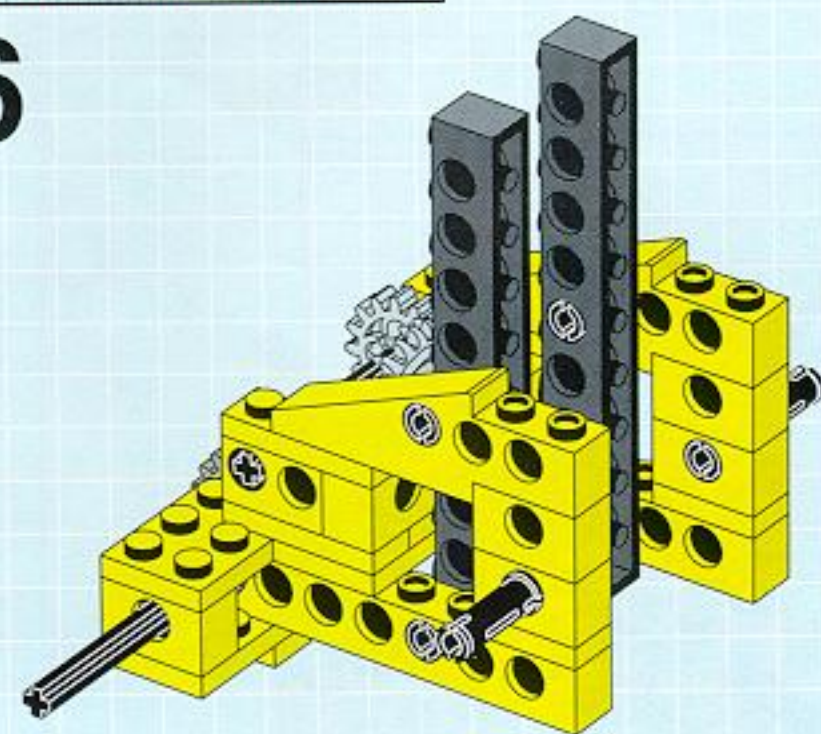
13

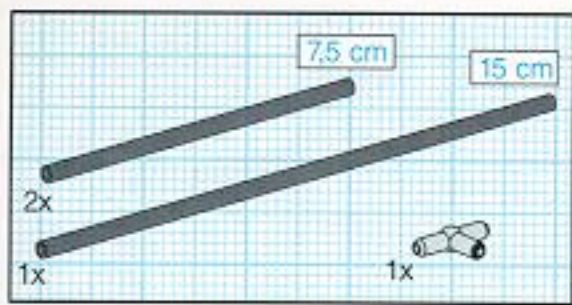


14



16

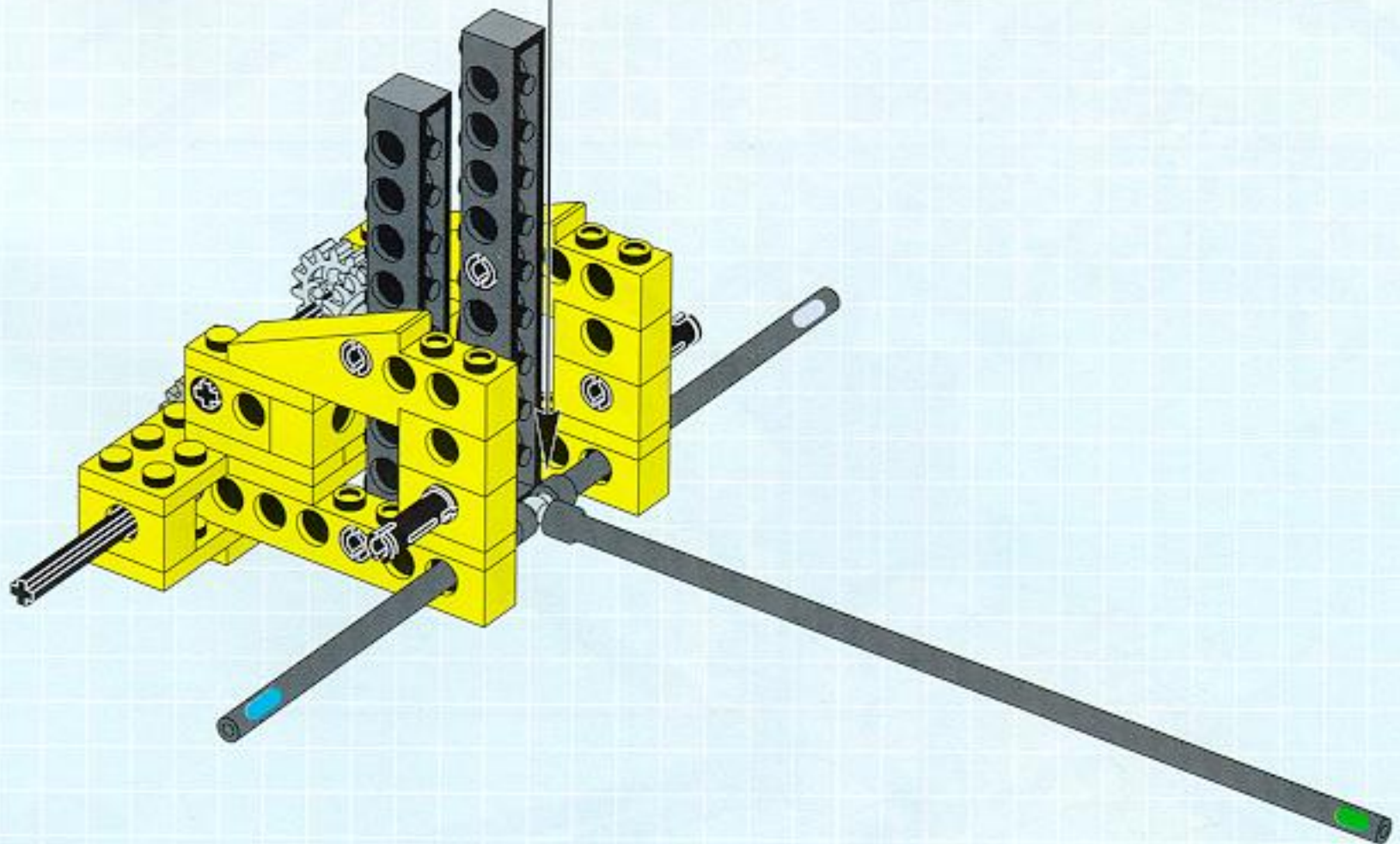
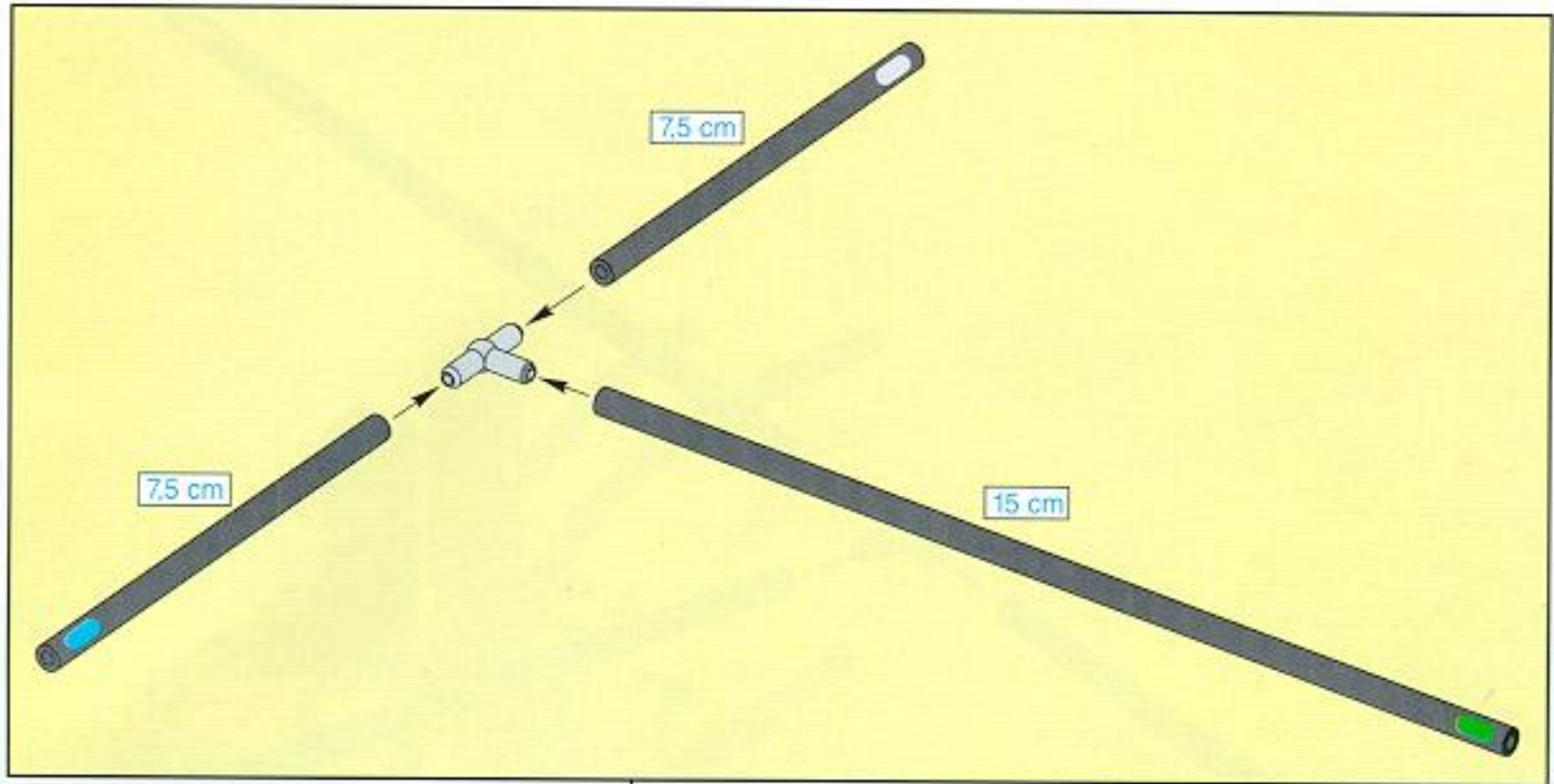


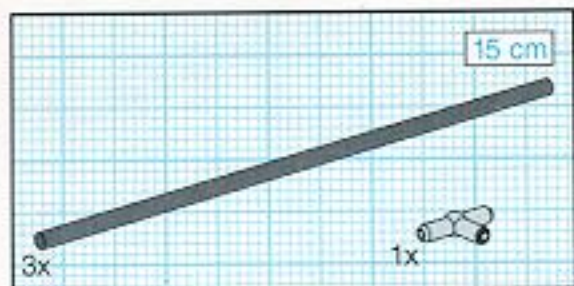


17

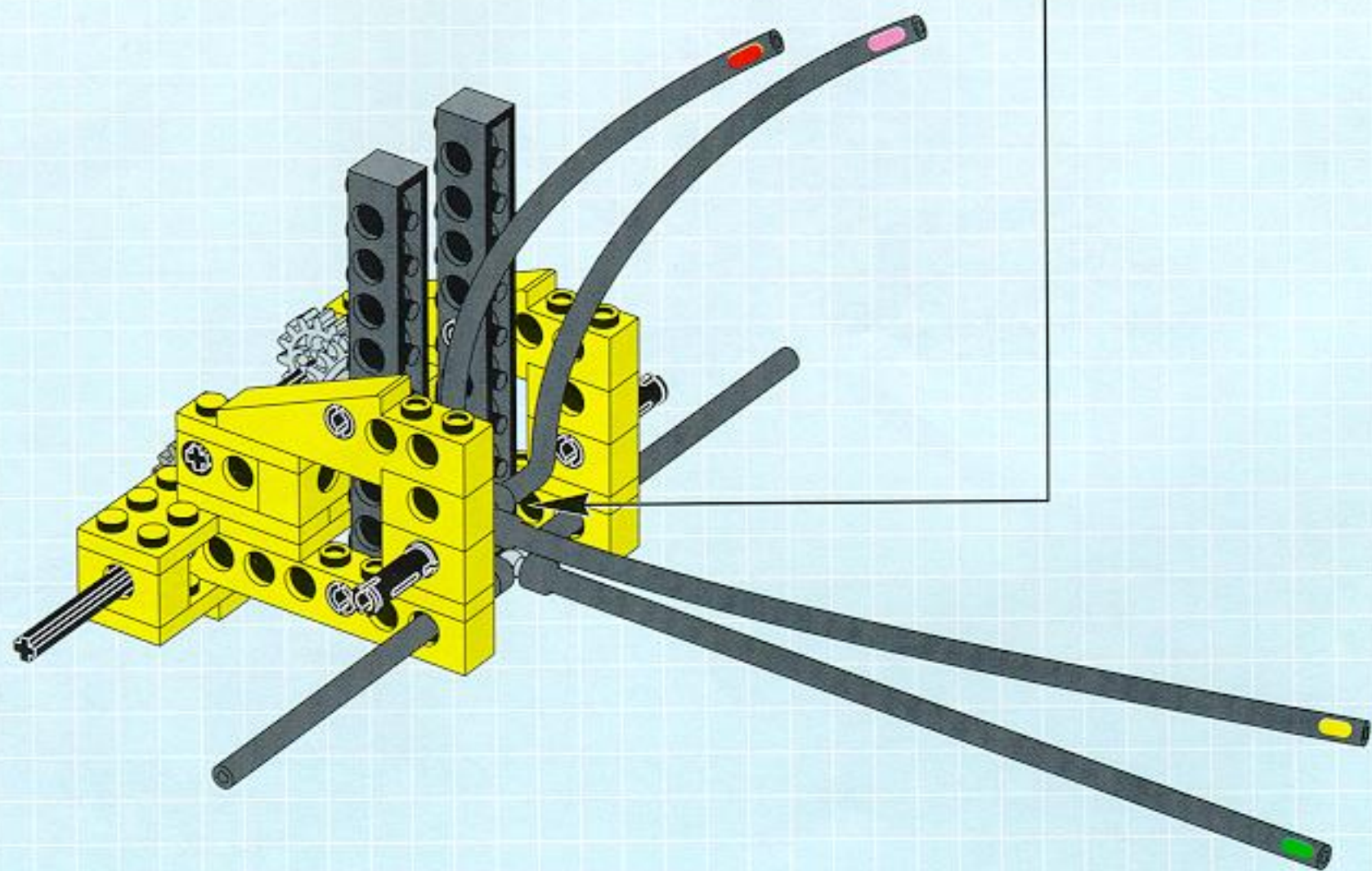
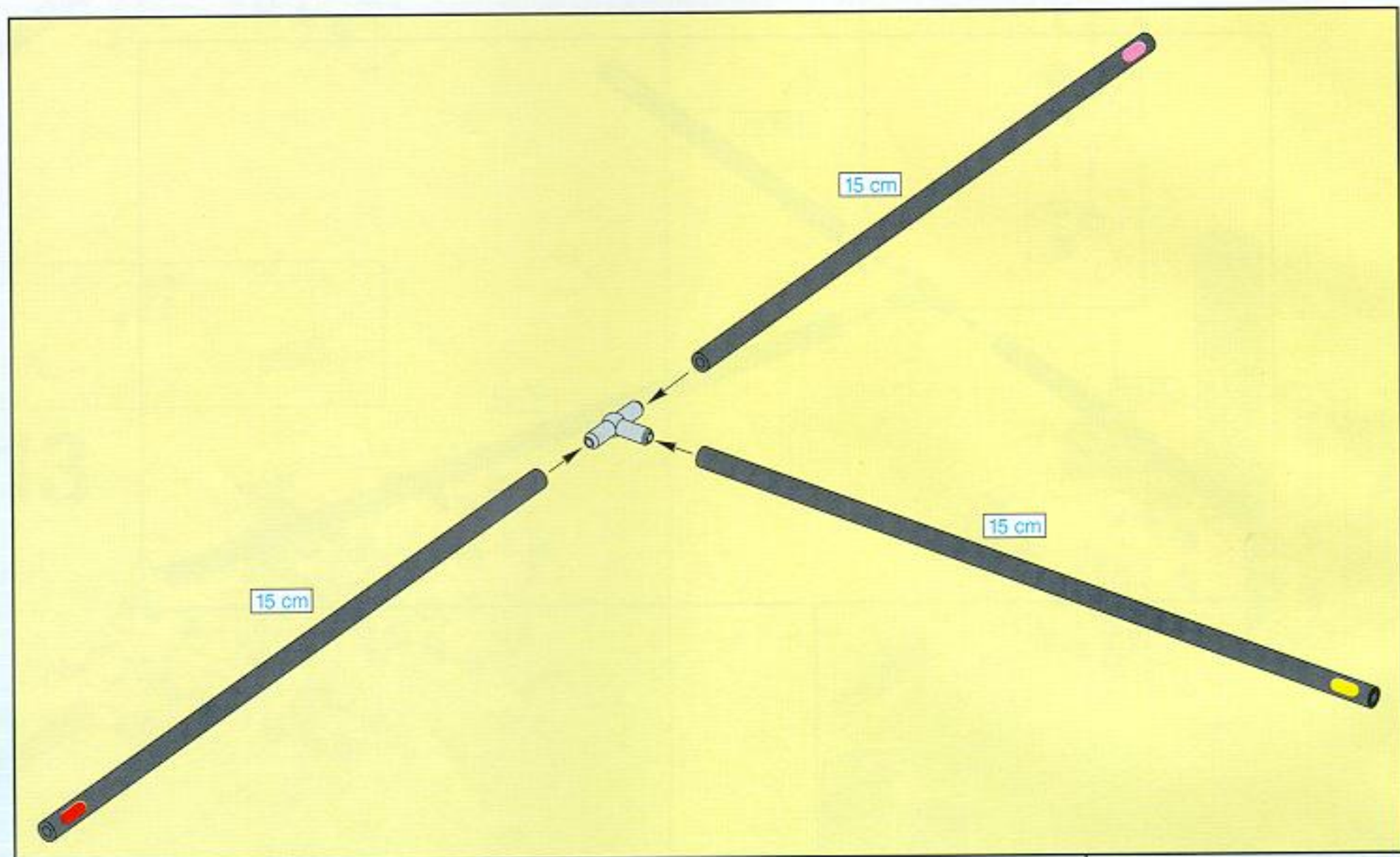


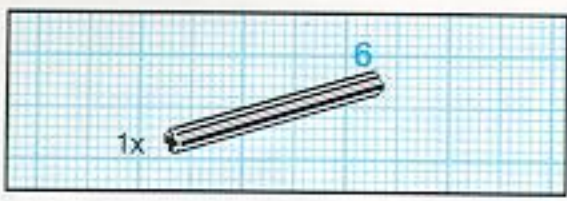
81



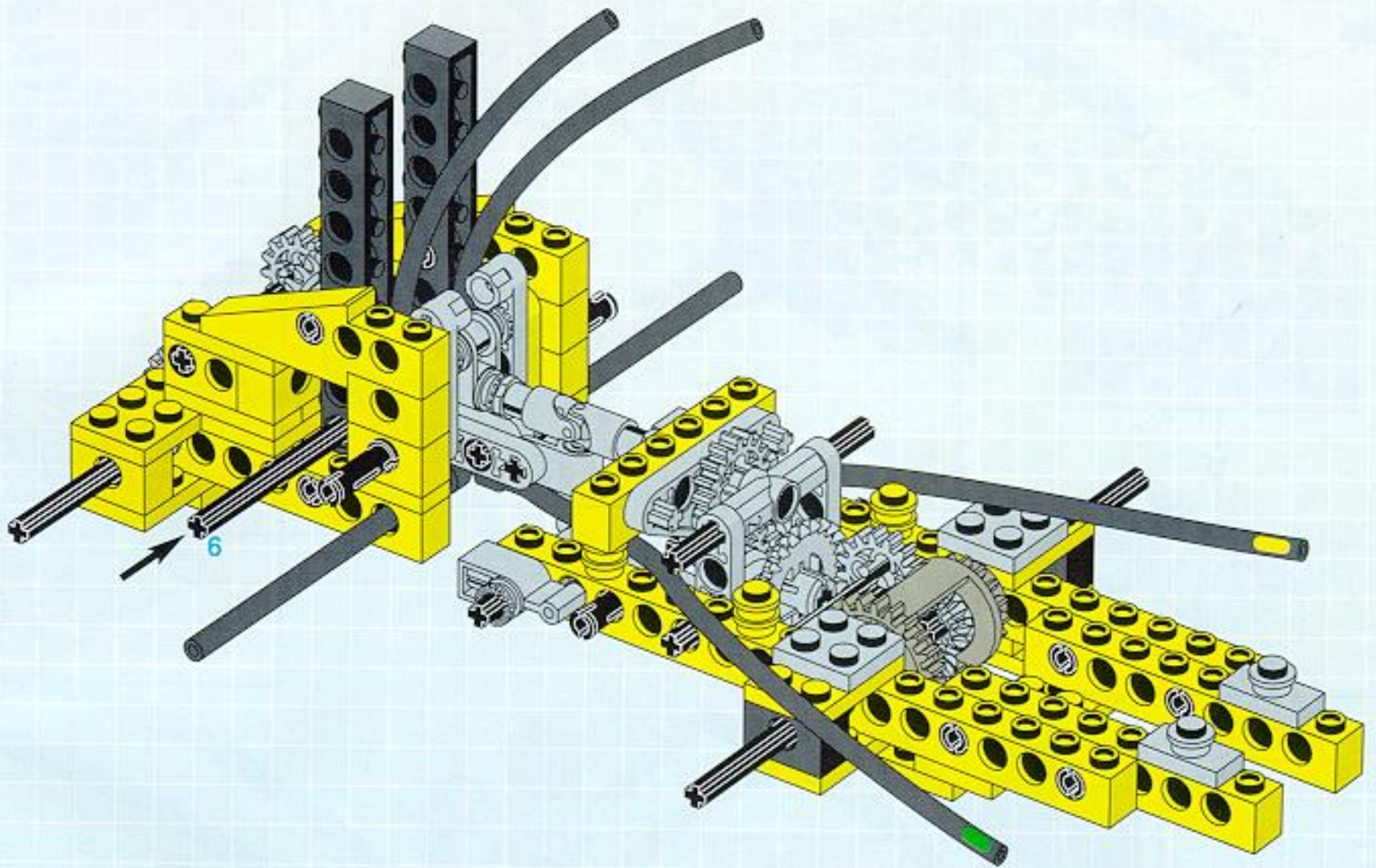


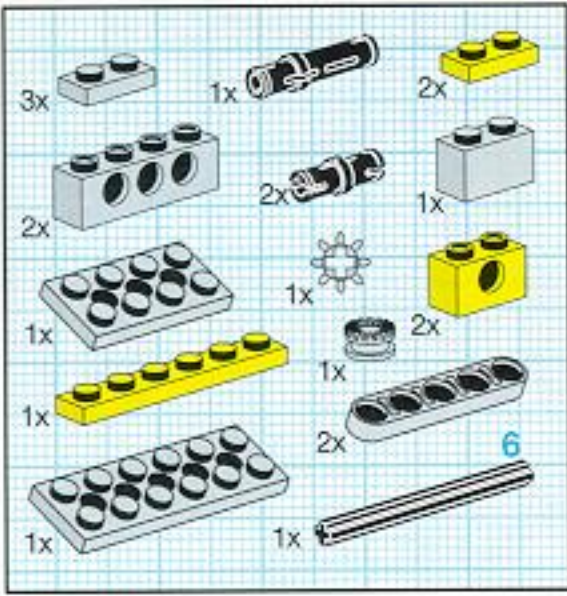
18



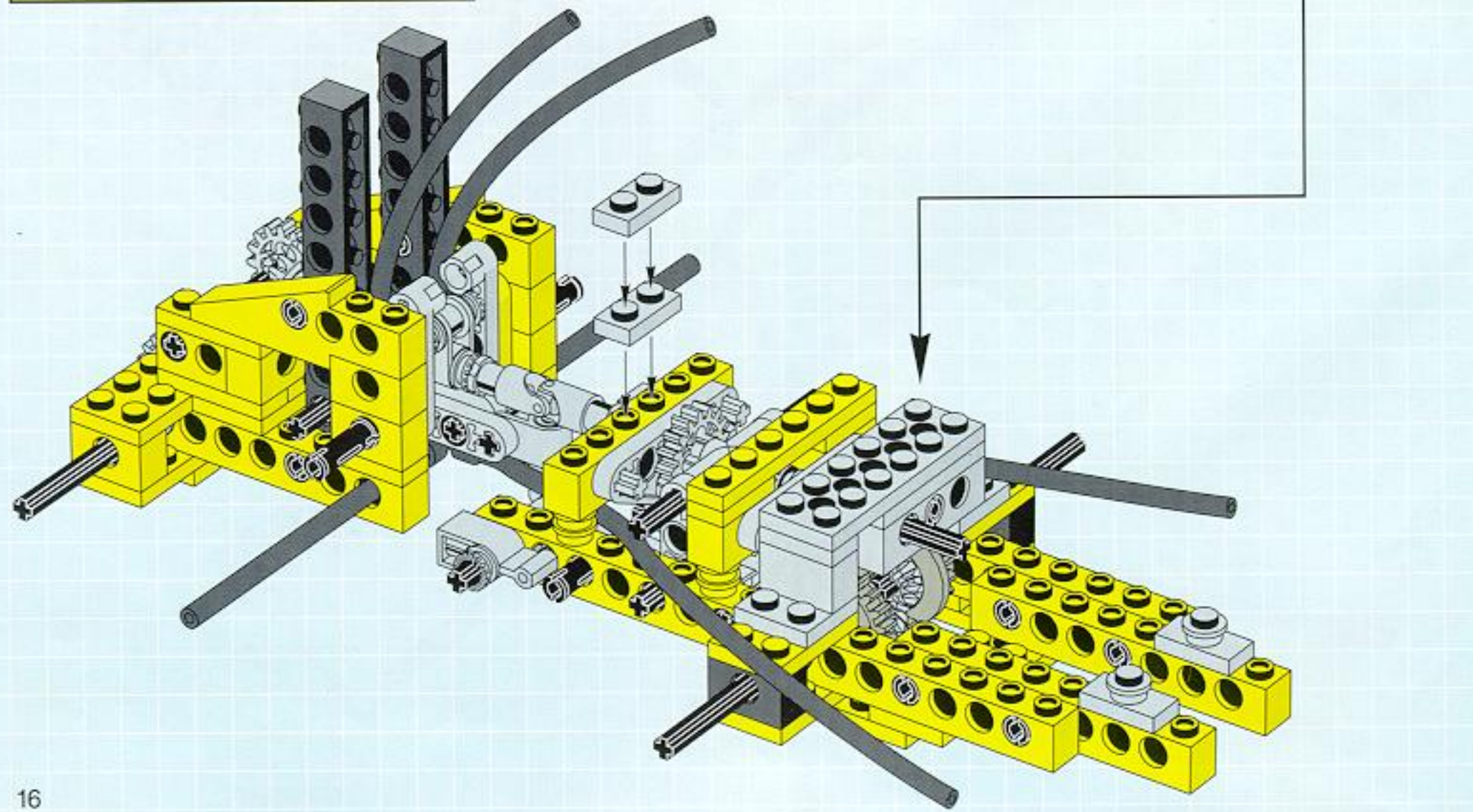
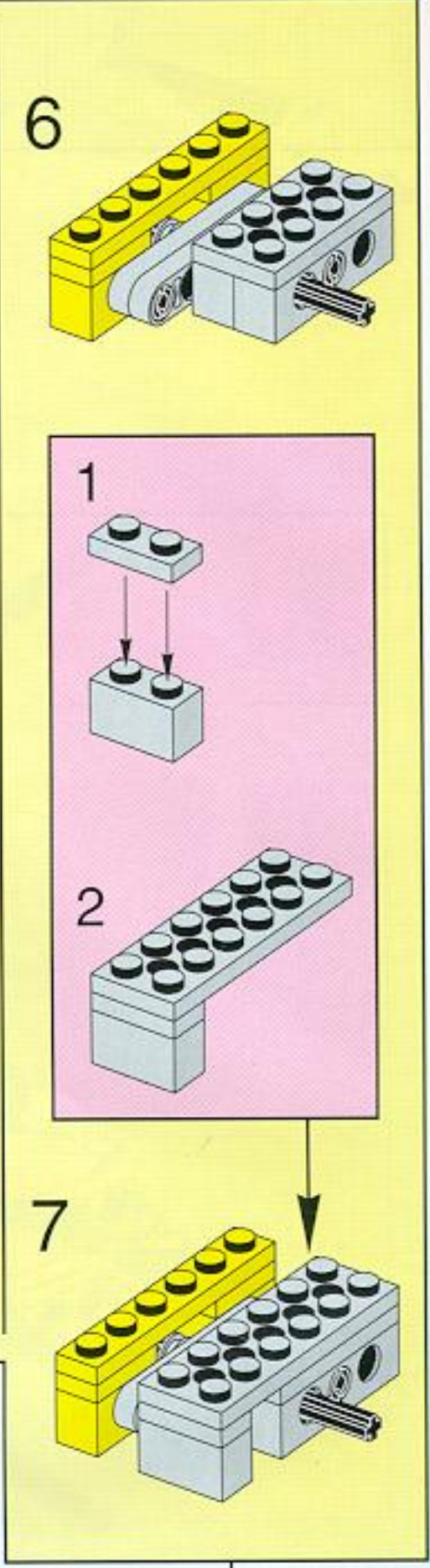
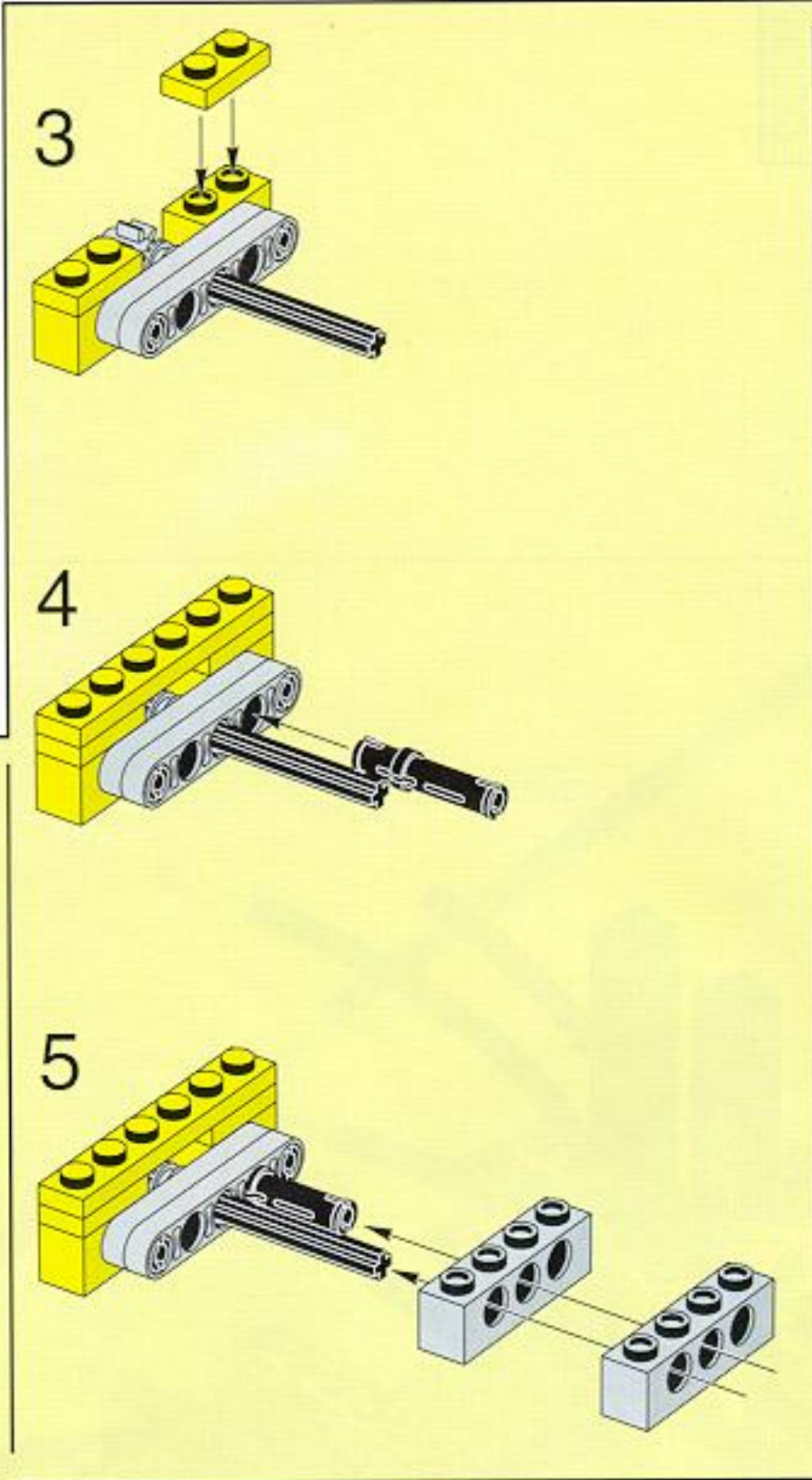
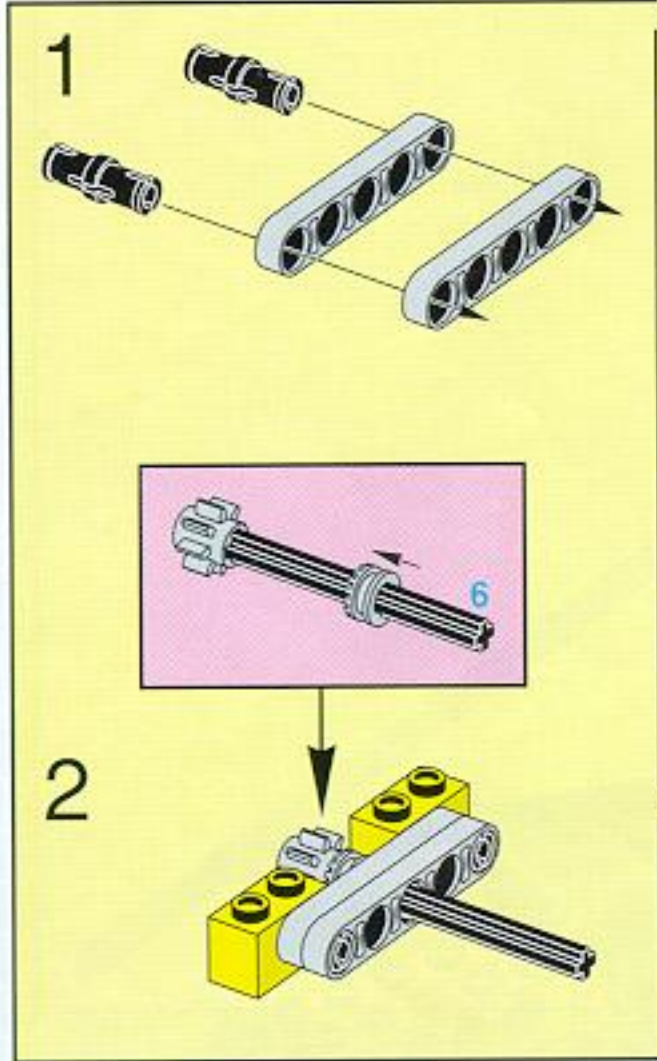


13

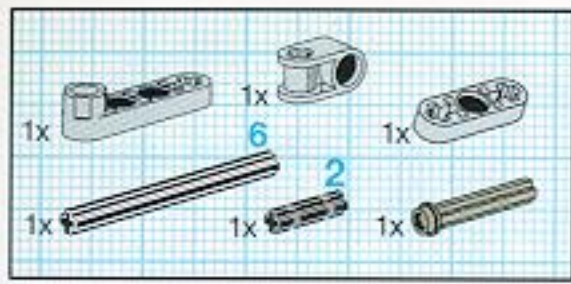




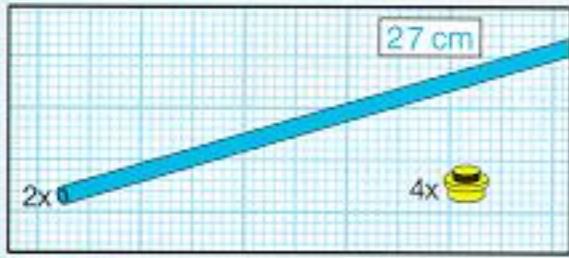
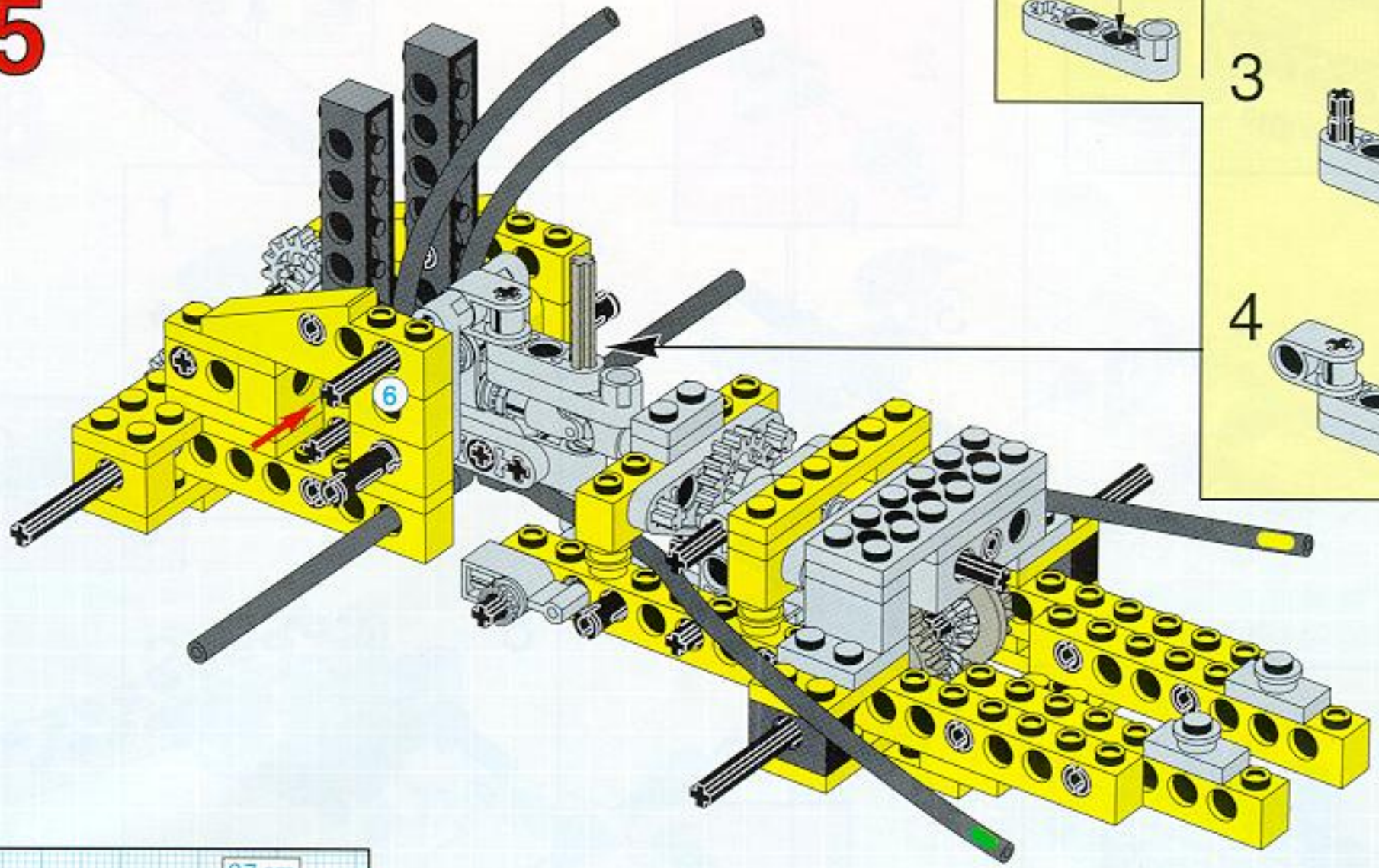
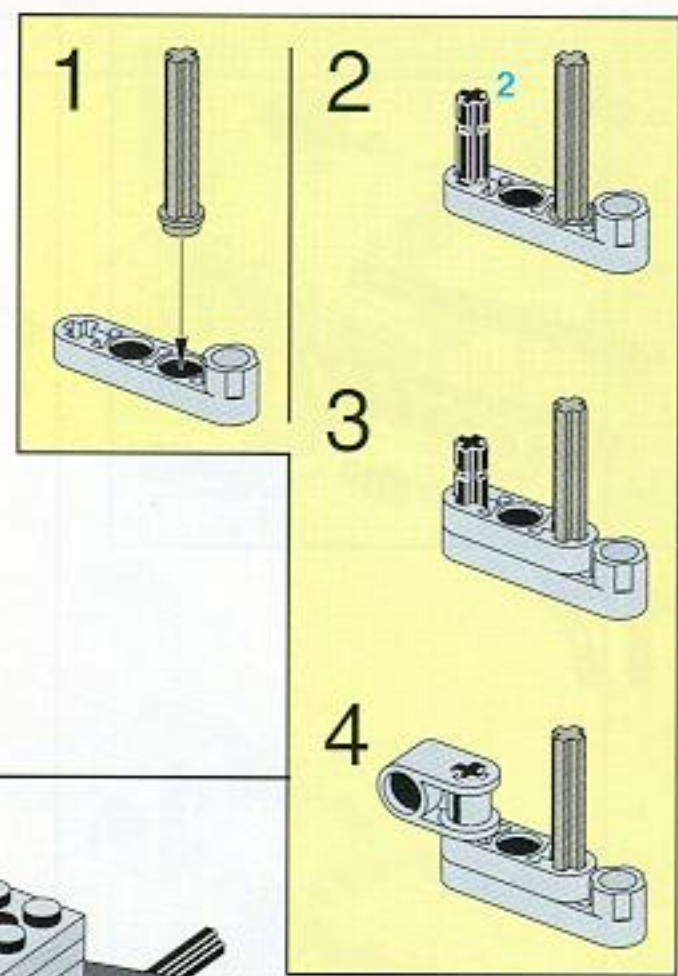
# 14



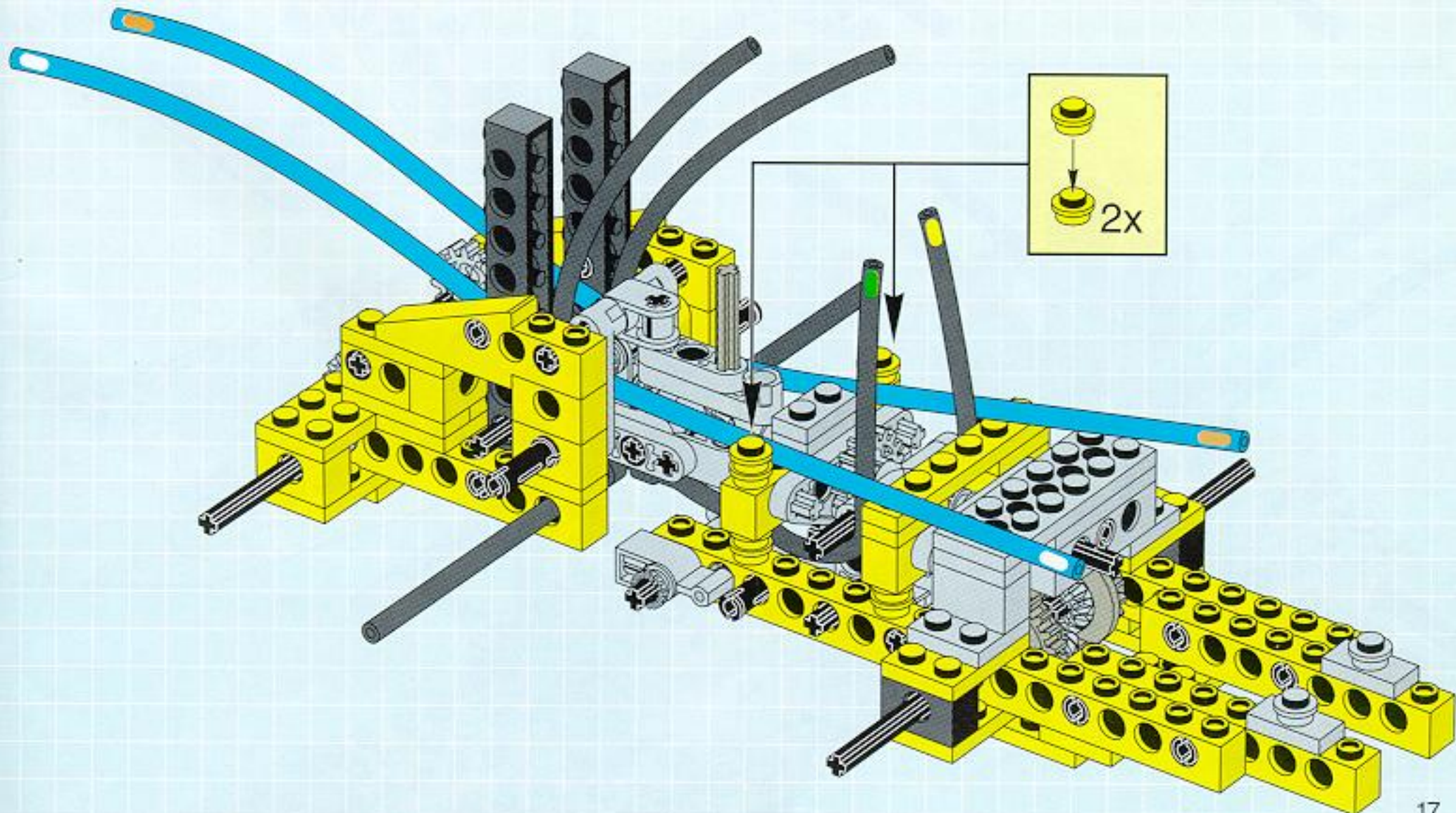


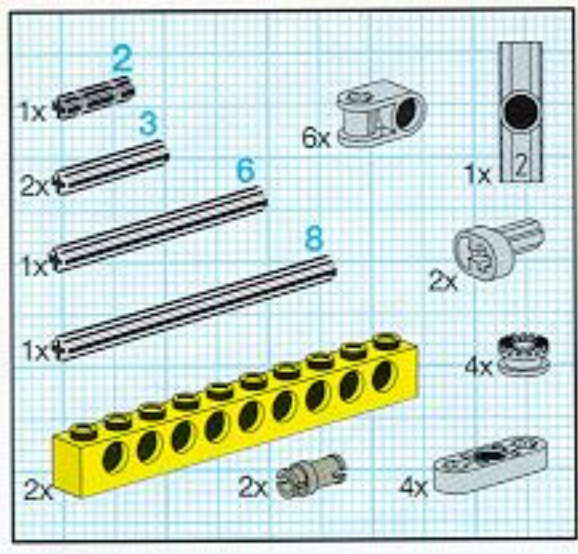


15

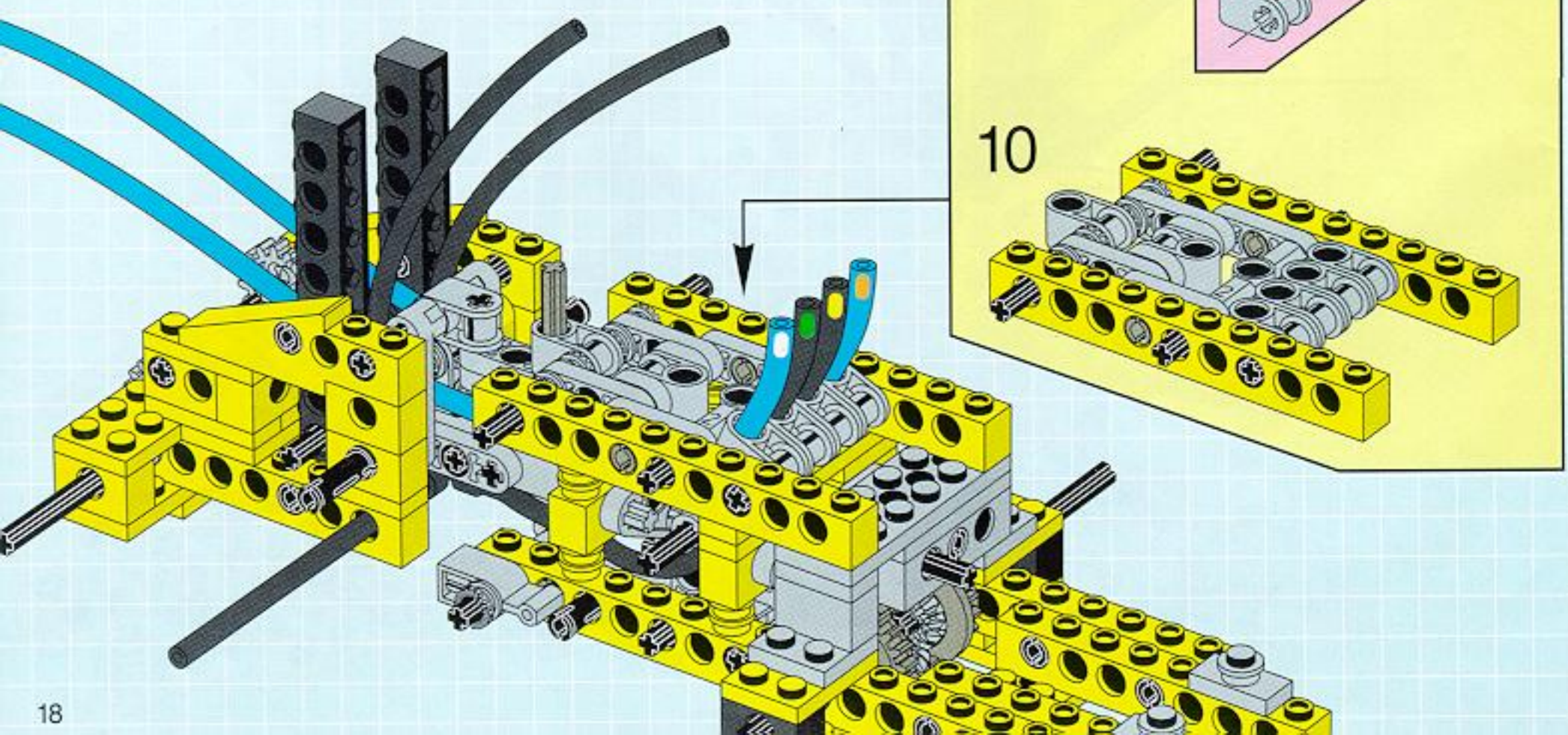
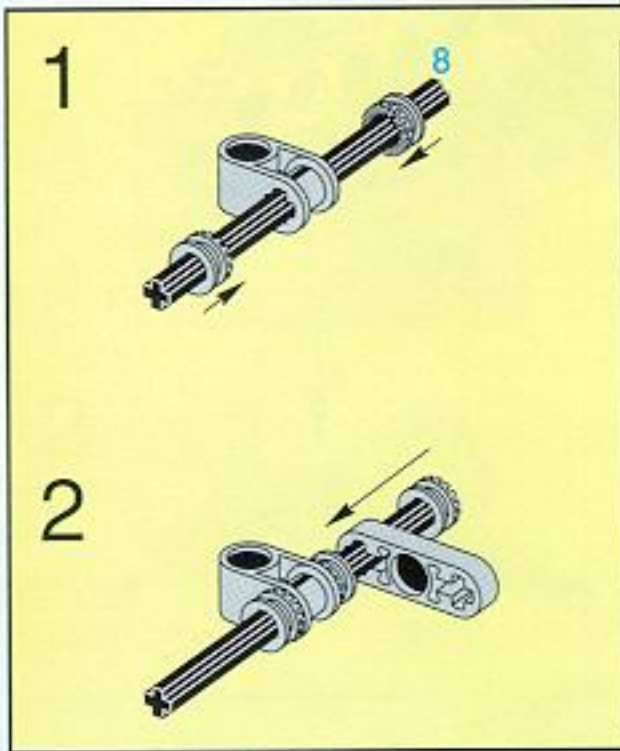
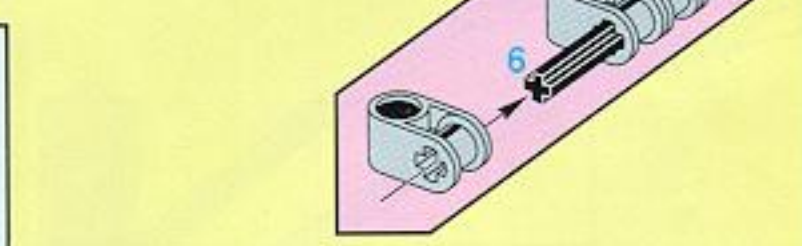
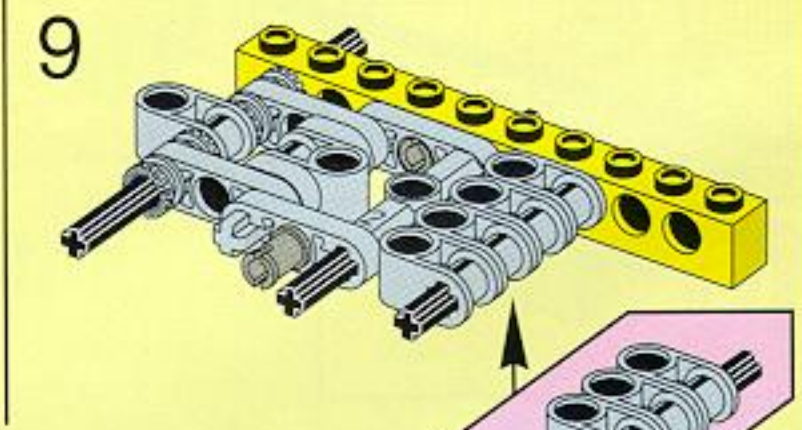
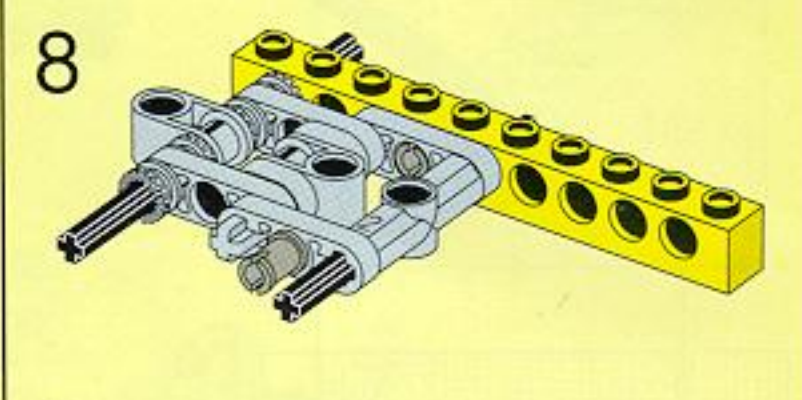
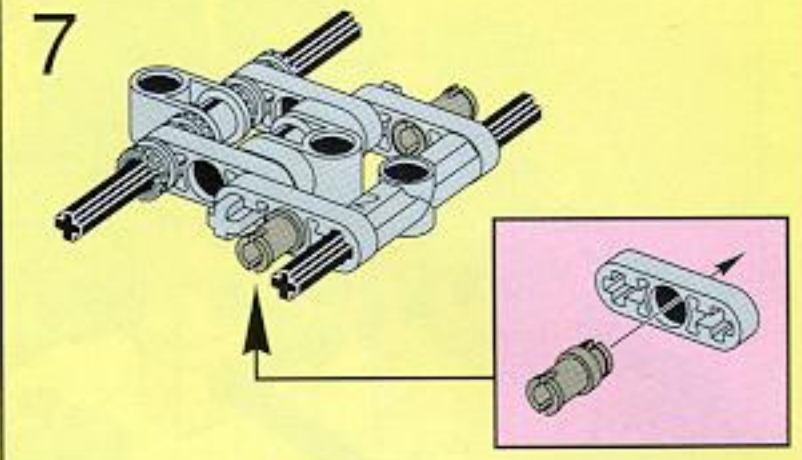
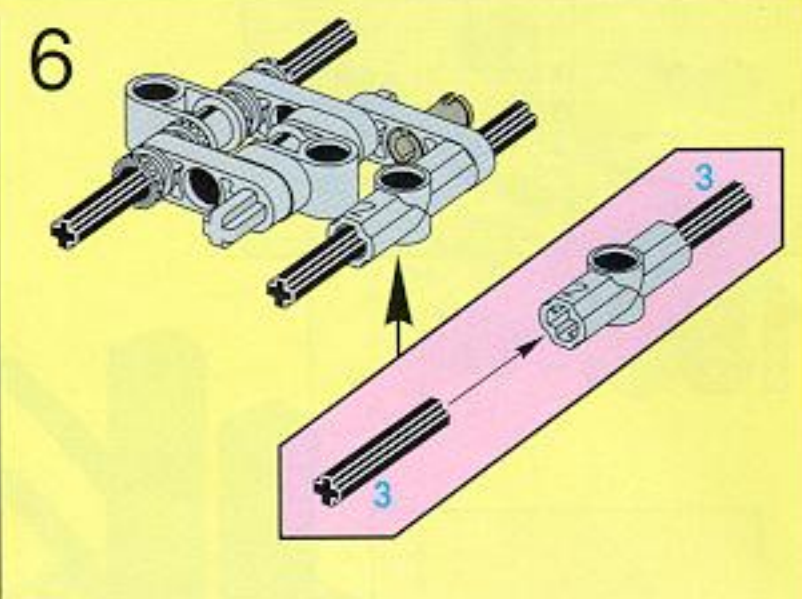
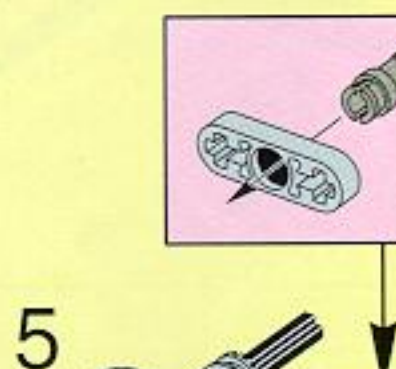
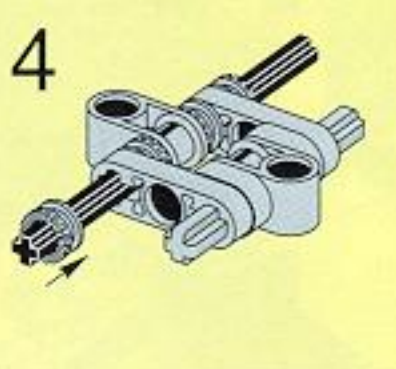
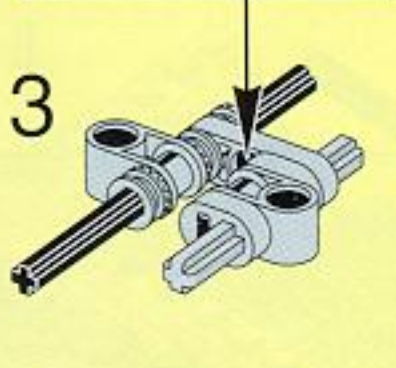
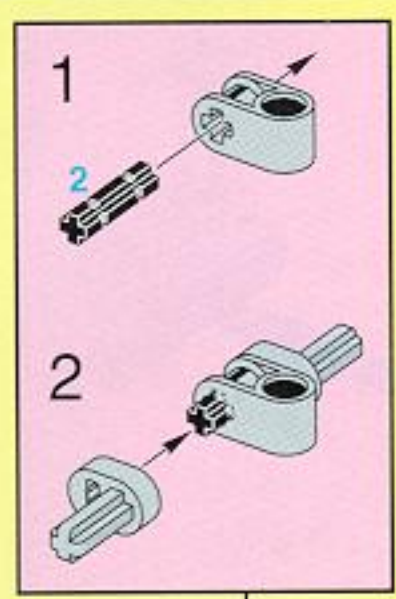


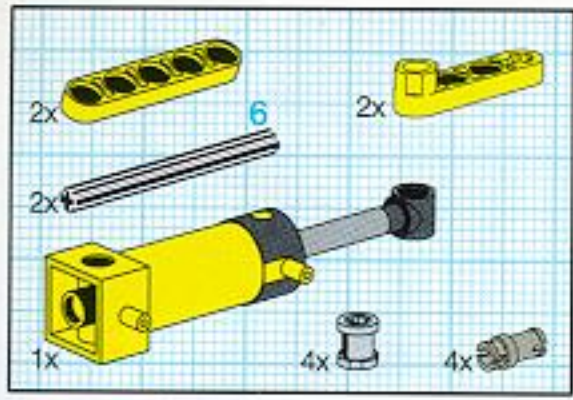
16



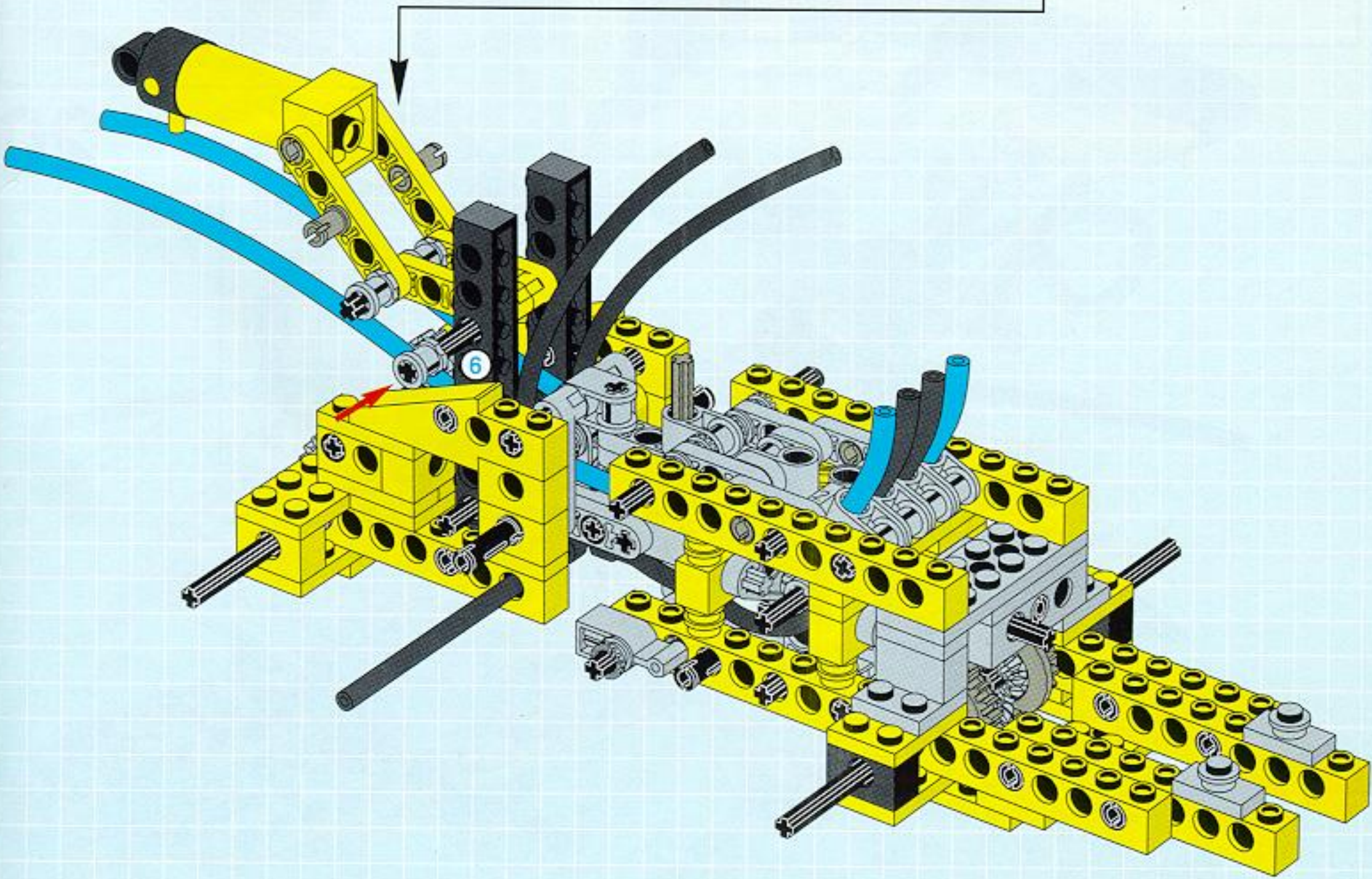
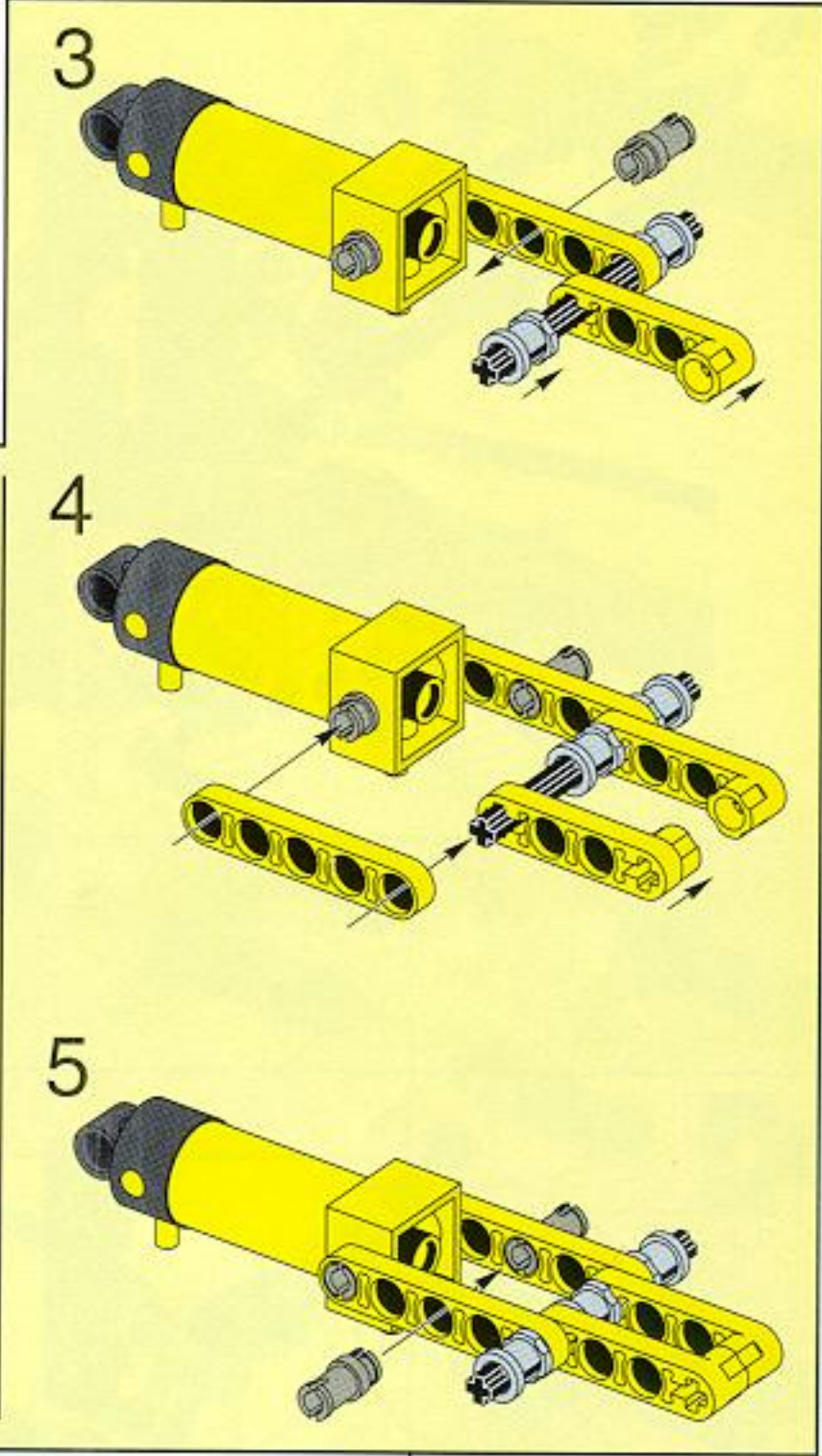
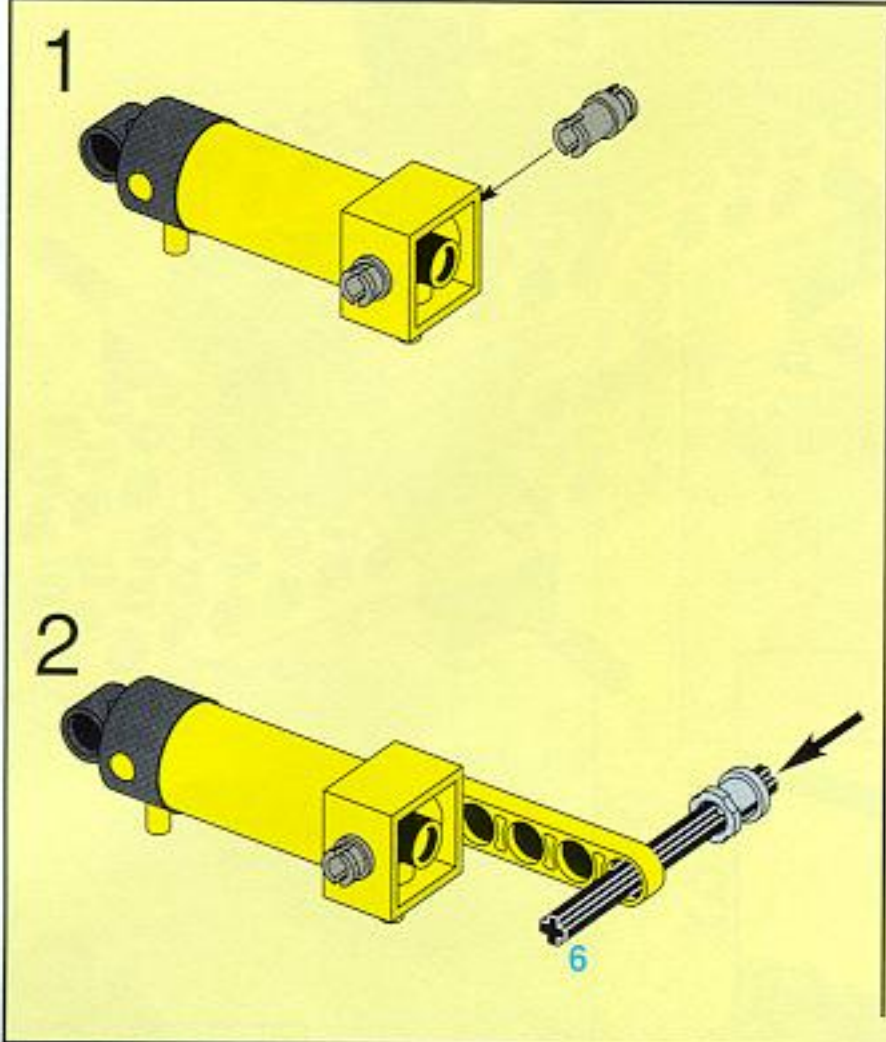


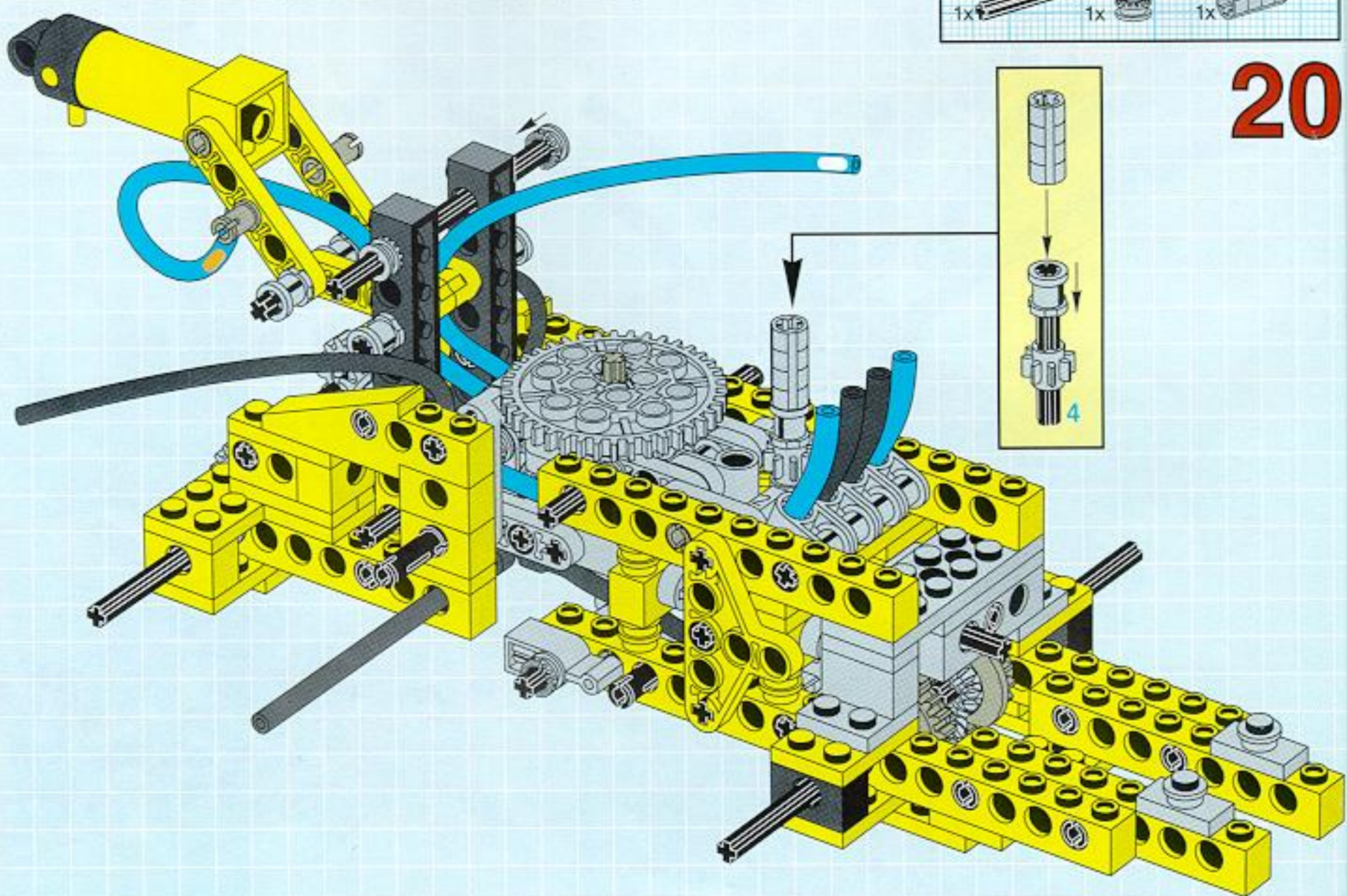
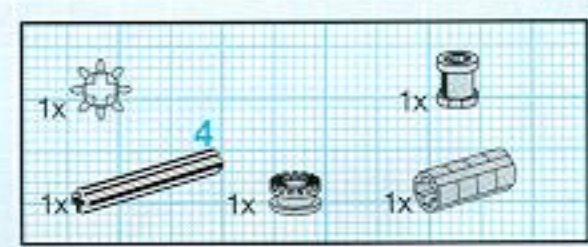
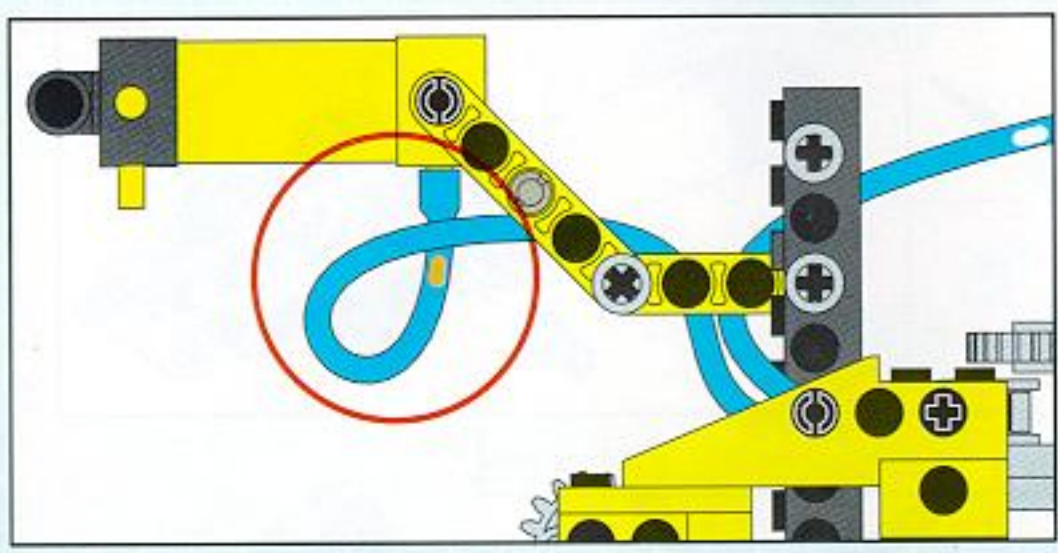
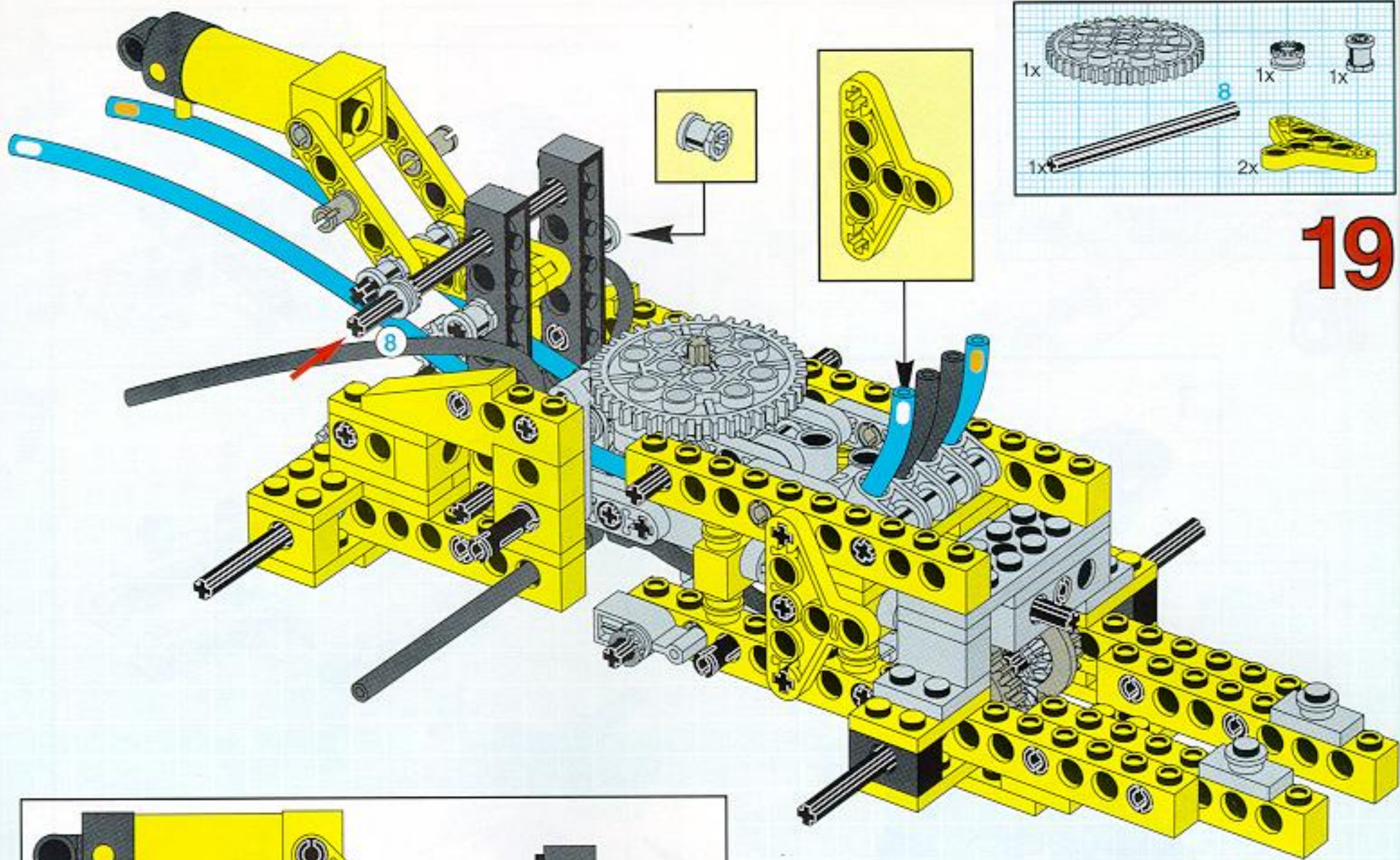
# 17

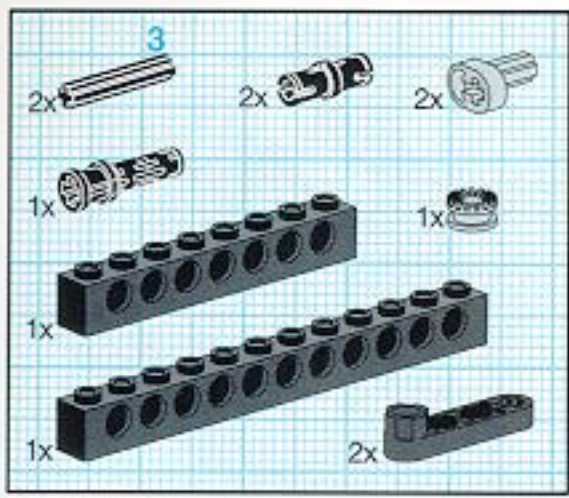




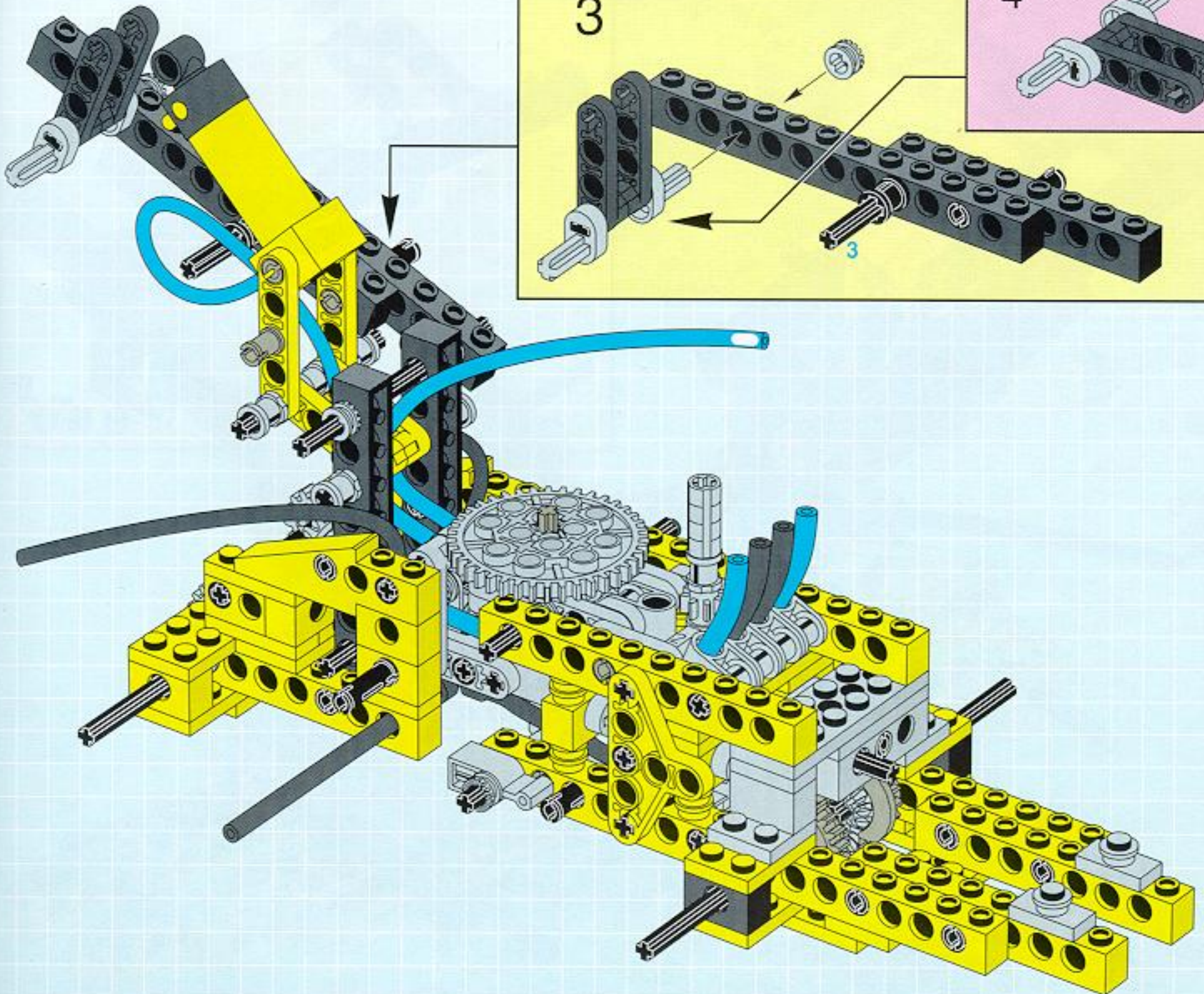
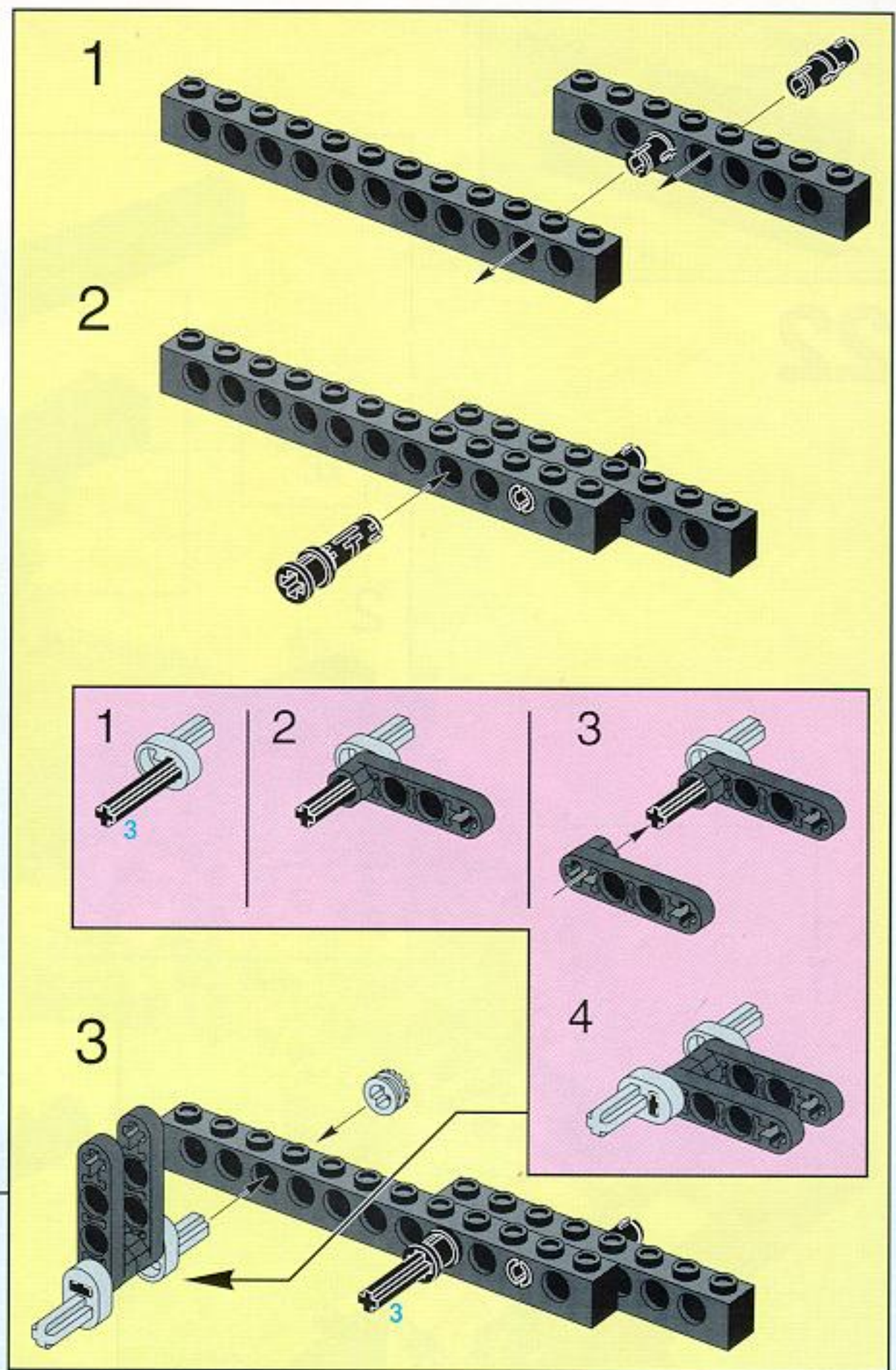
# 18

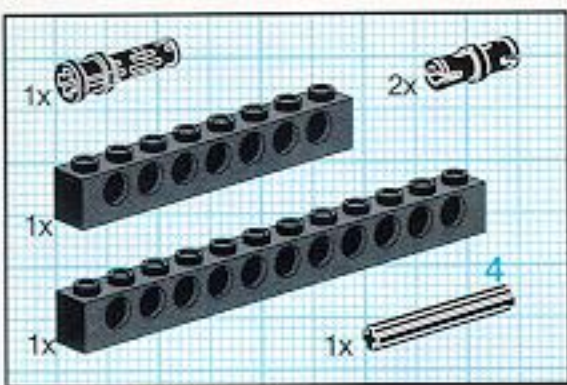




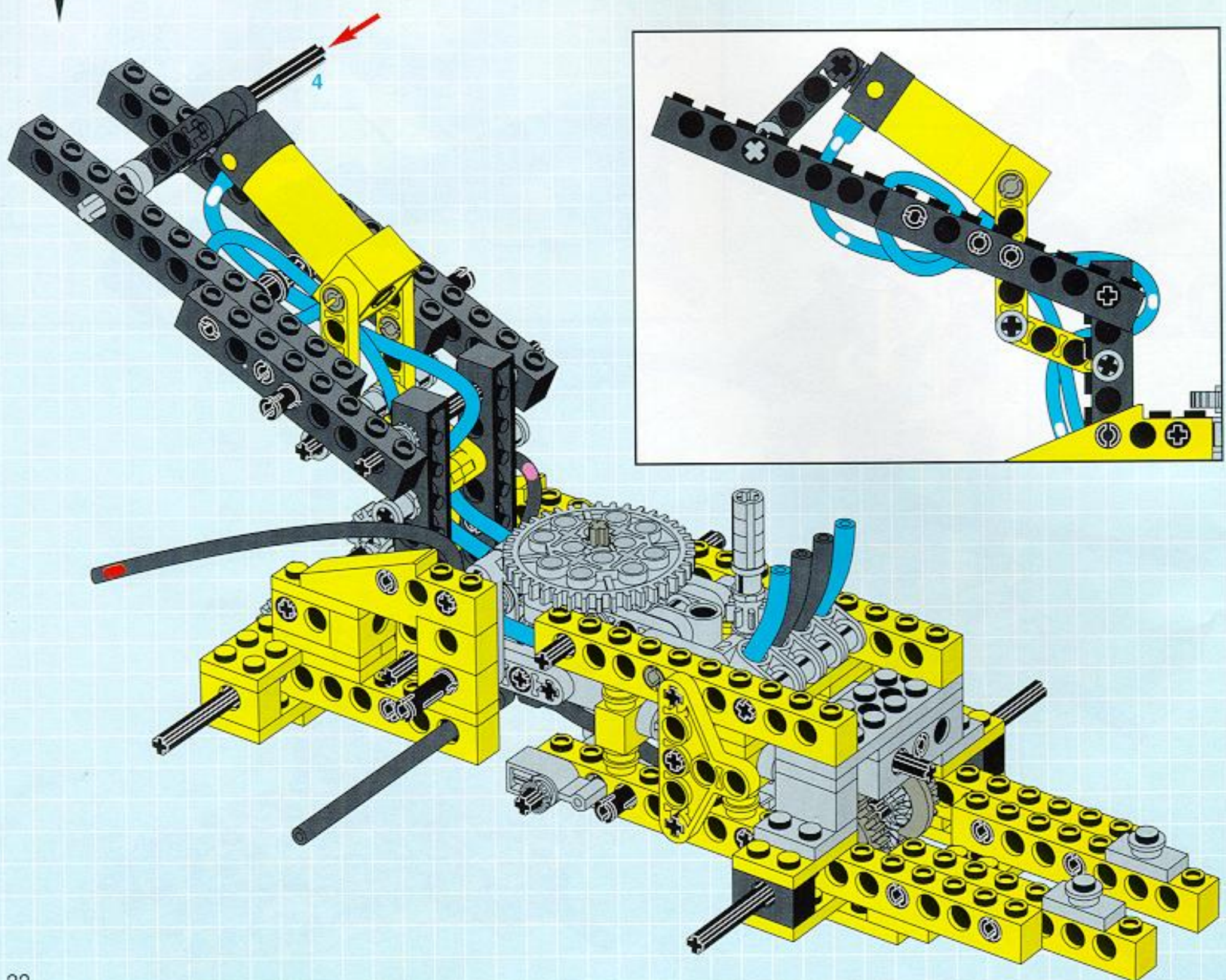
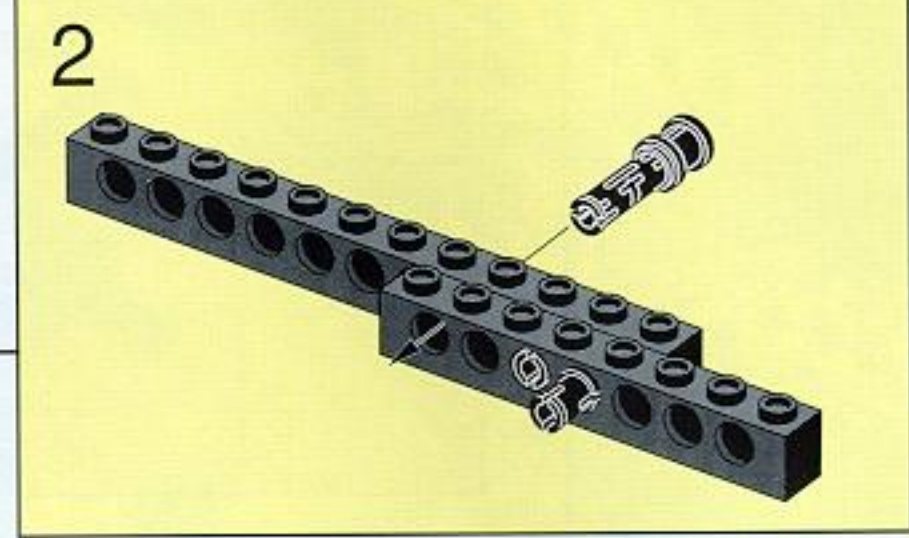
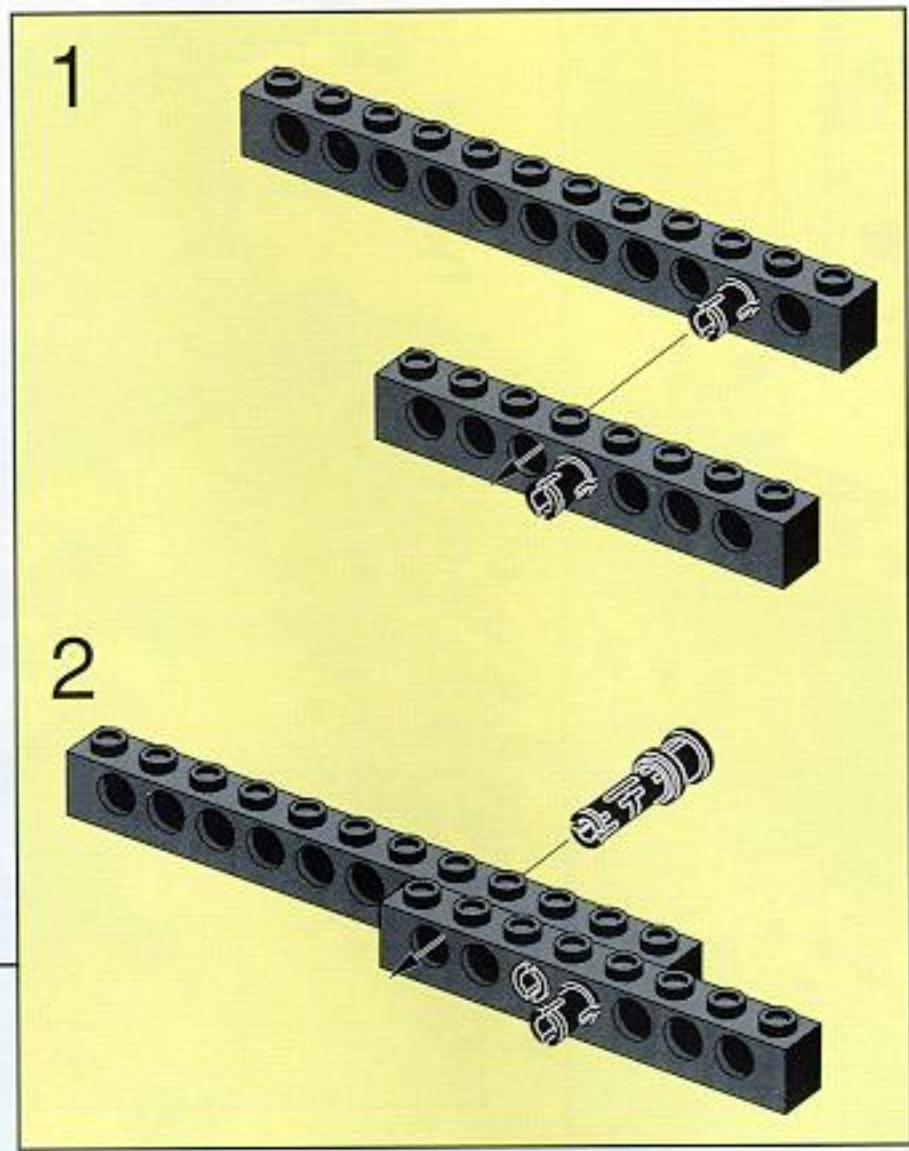


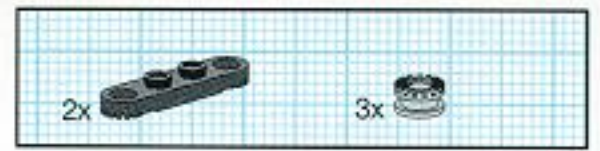
21



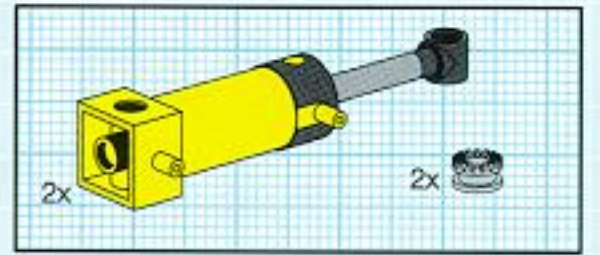
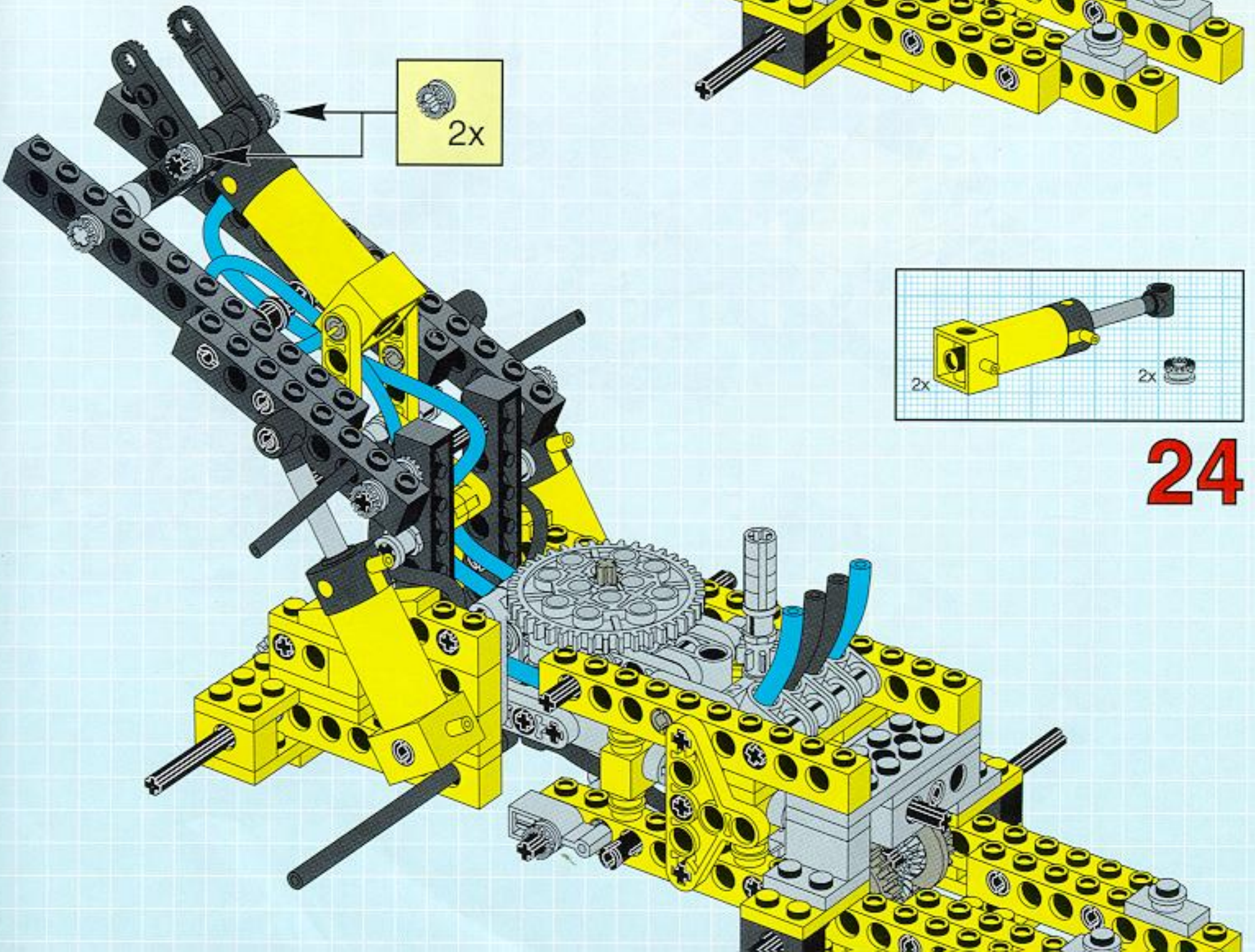
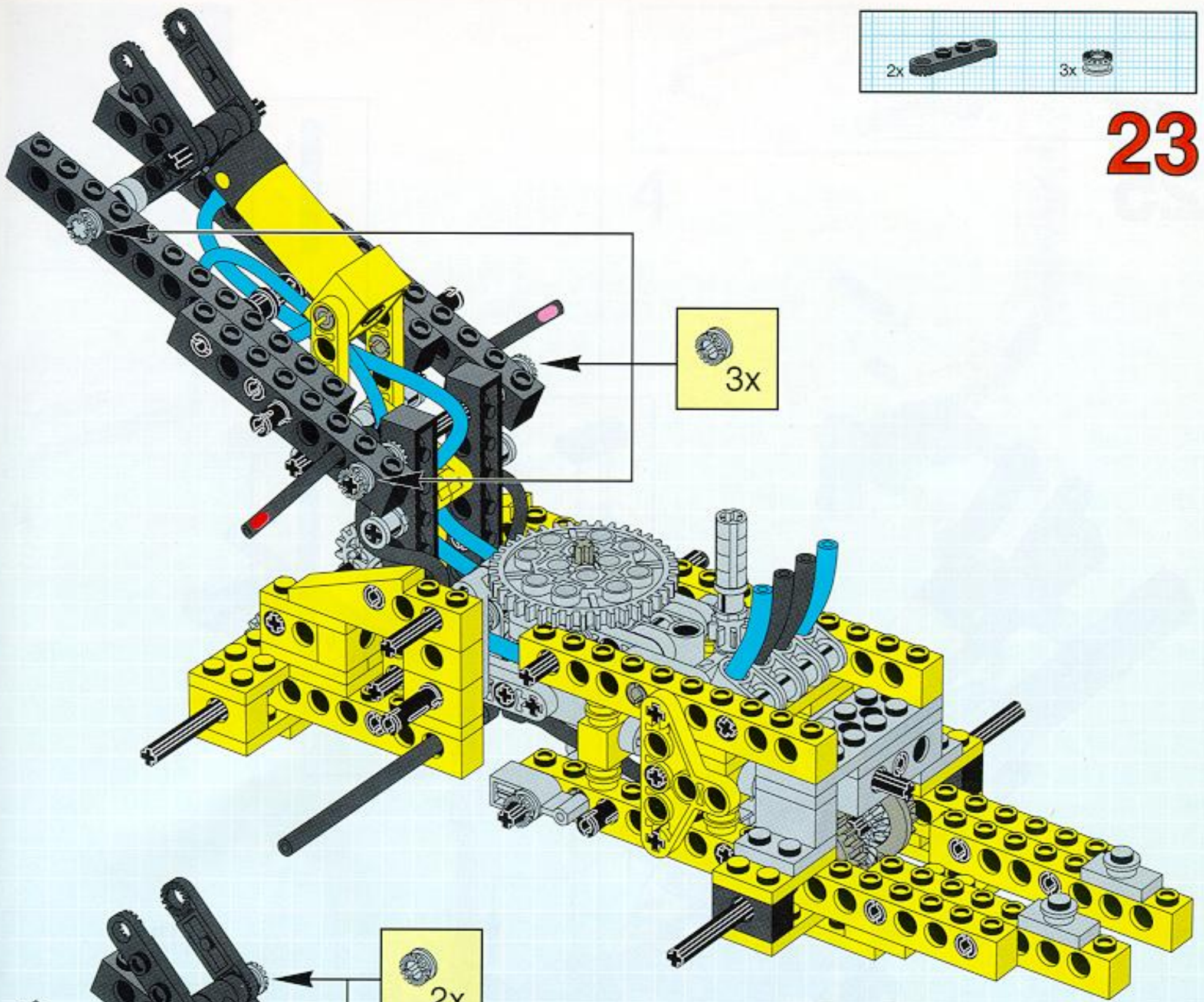


22

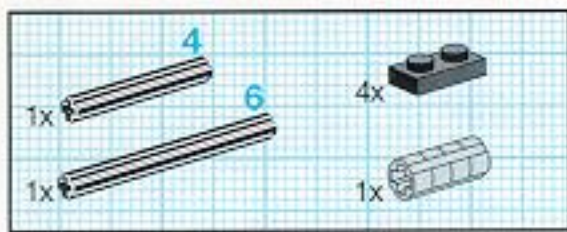




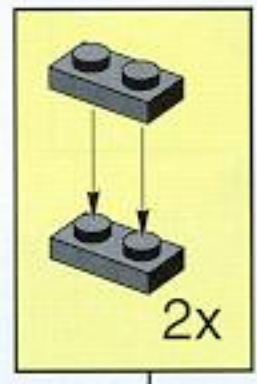
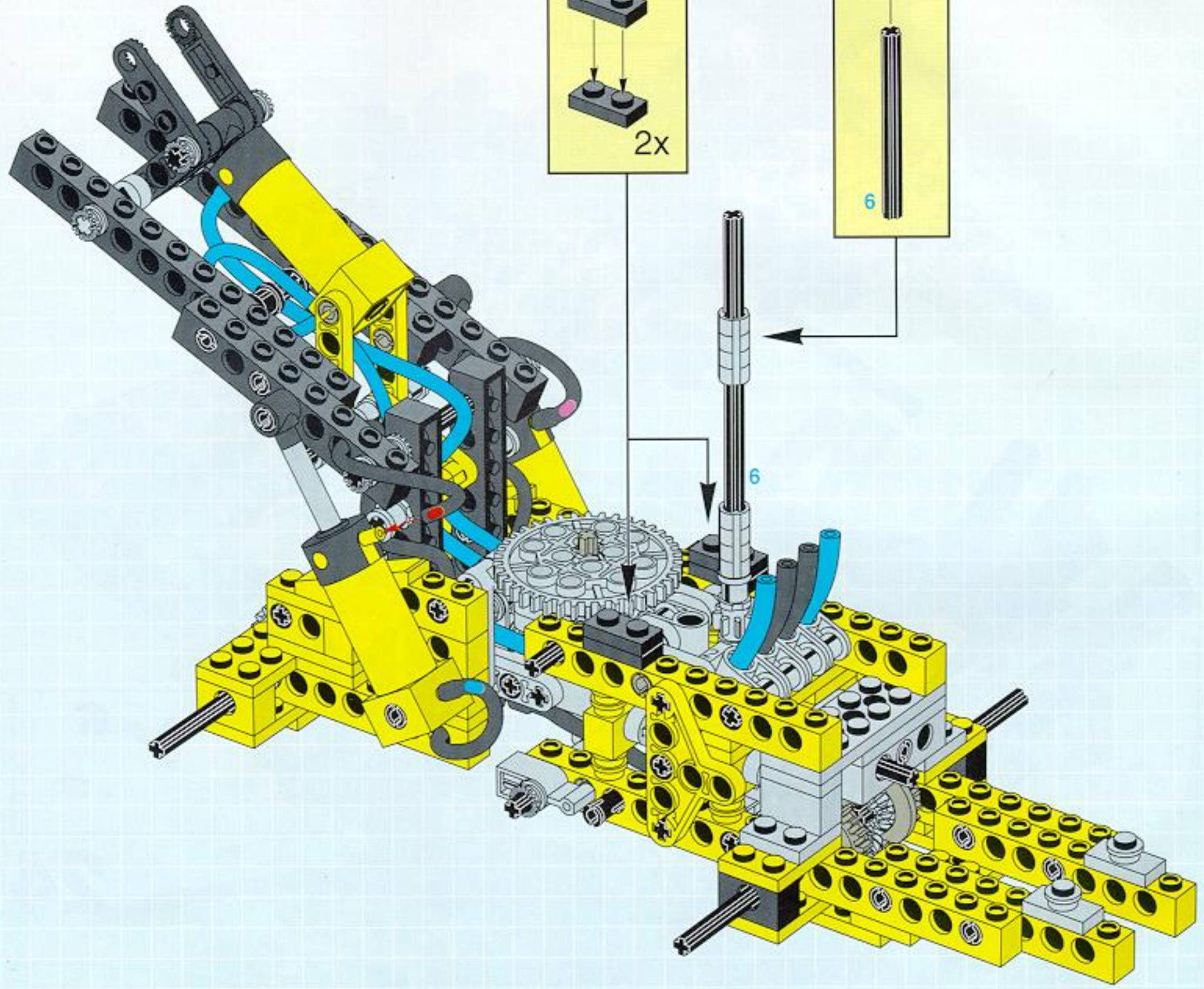
23



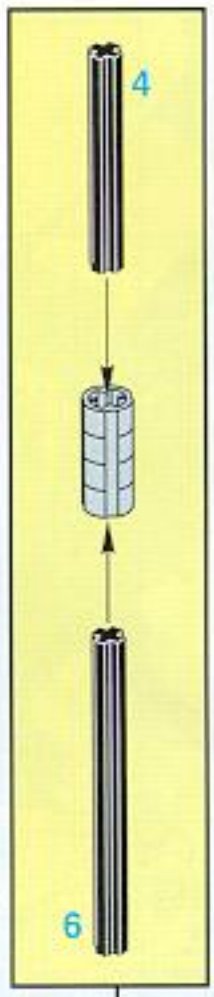
24



25



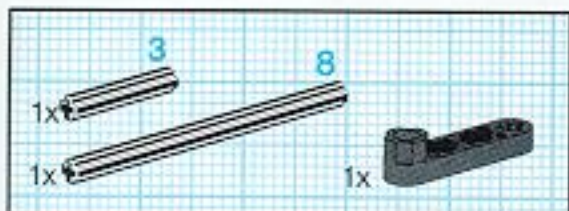
2x



4

6

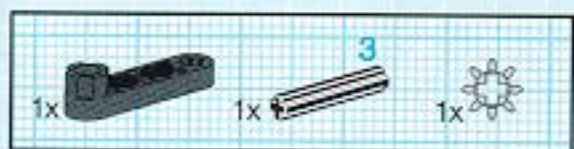




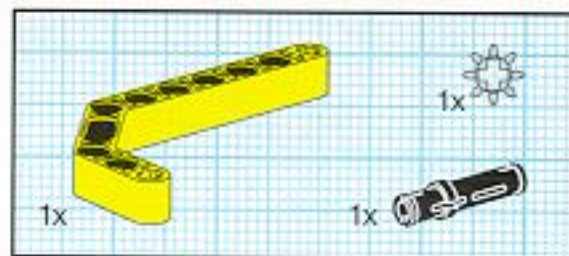
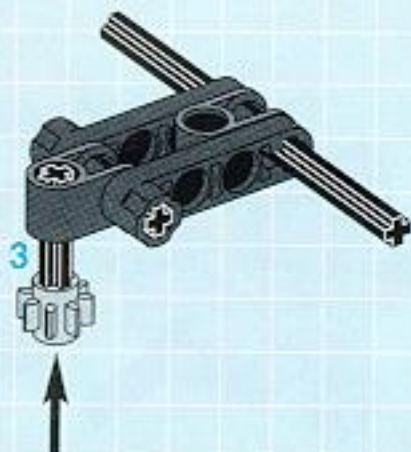
1



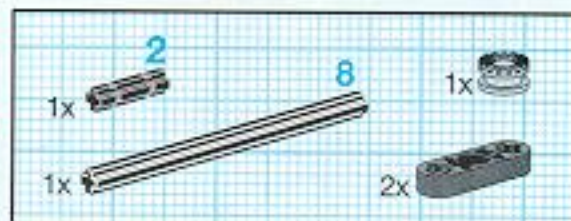
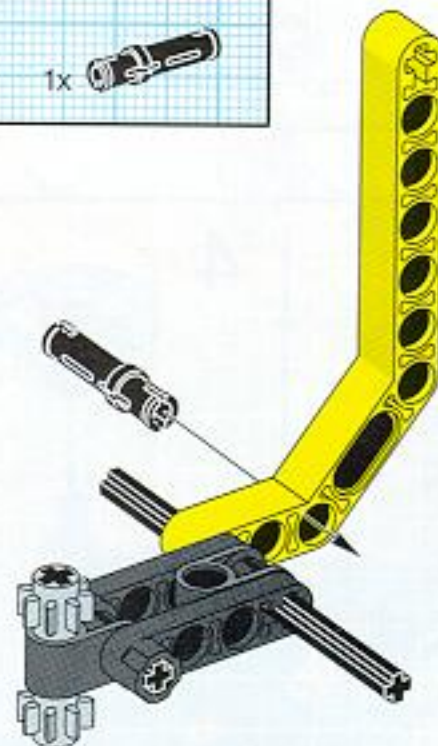
2



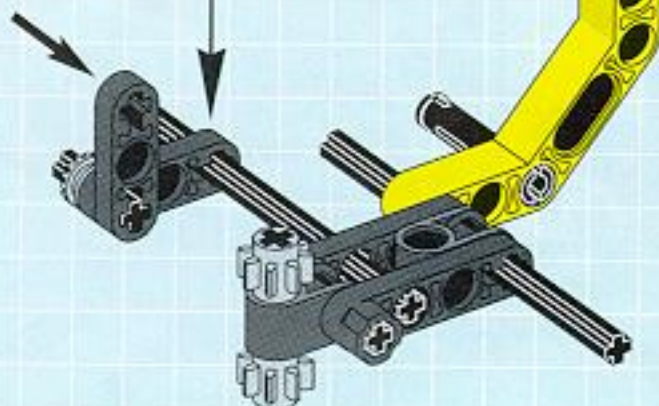
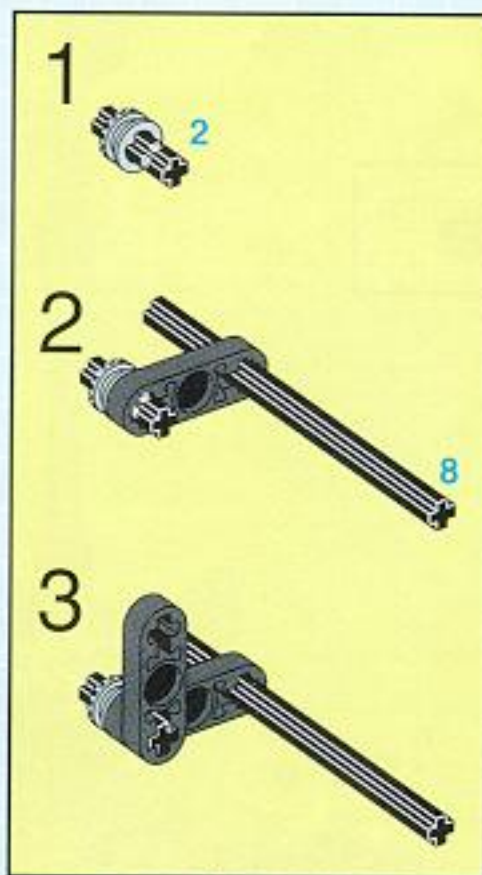
3

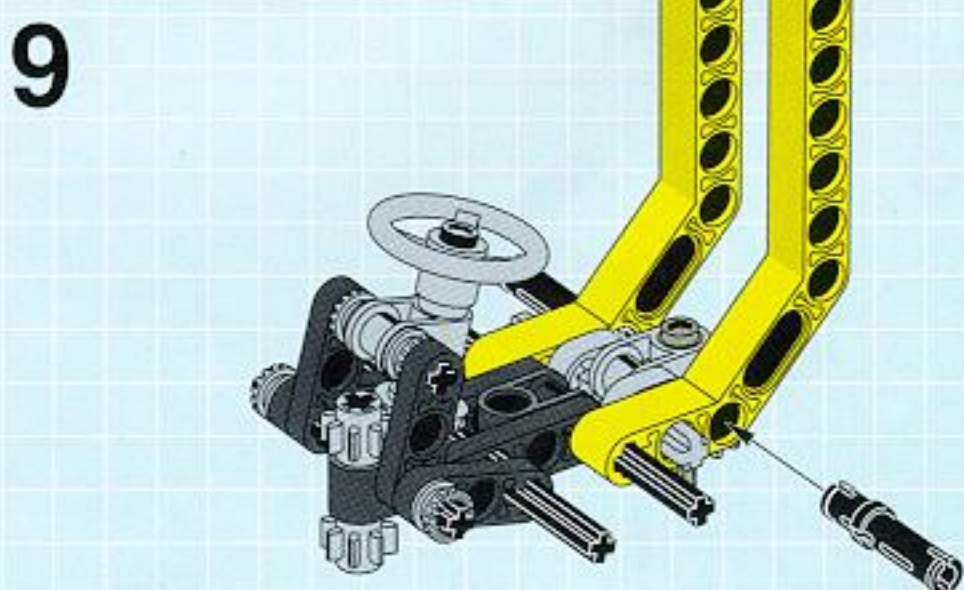
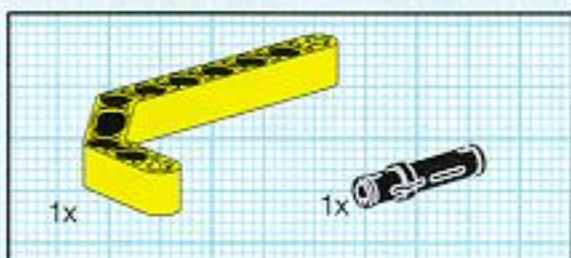
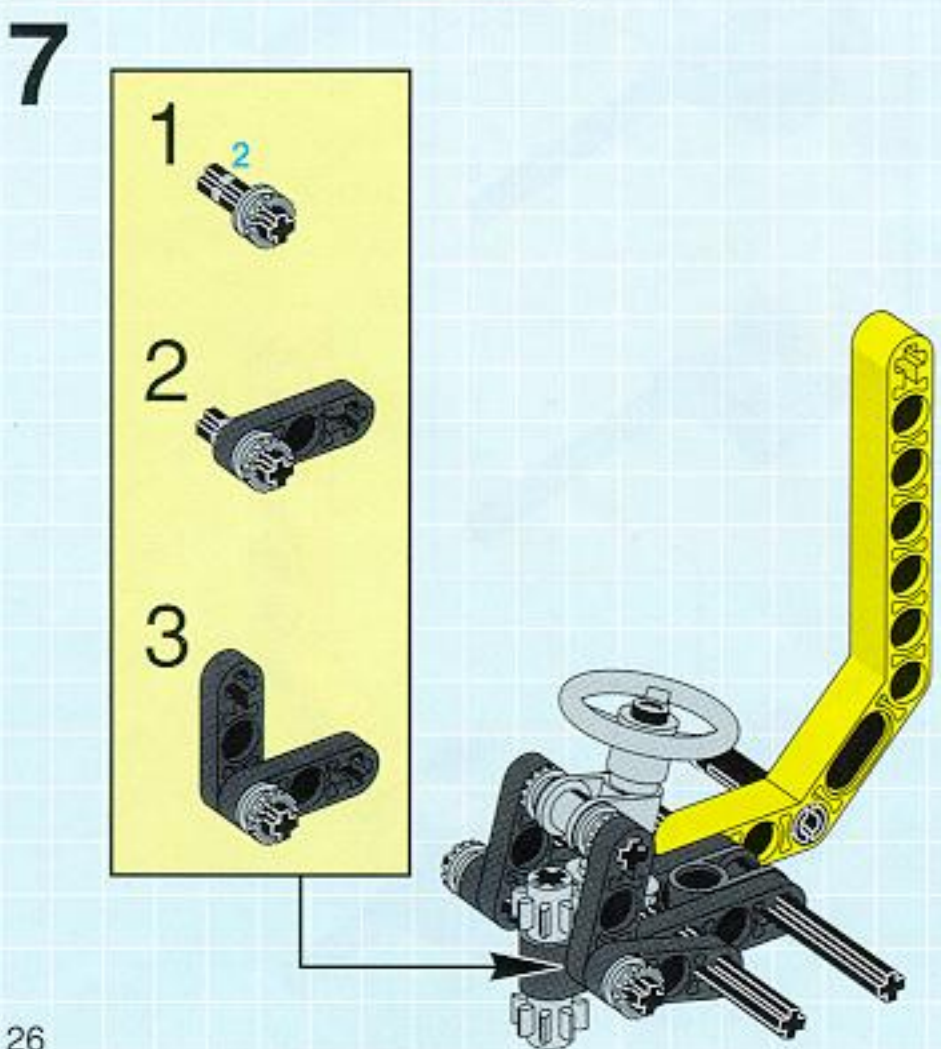
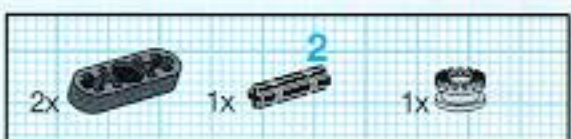
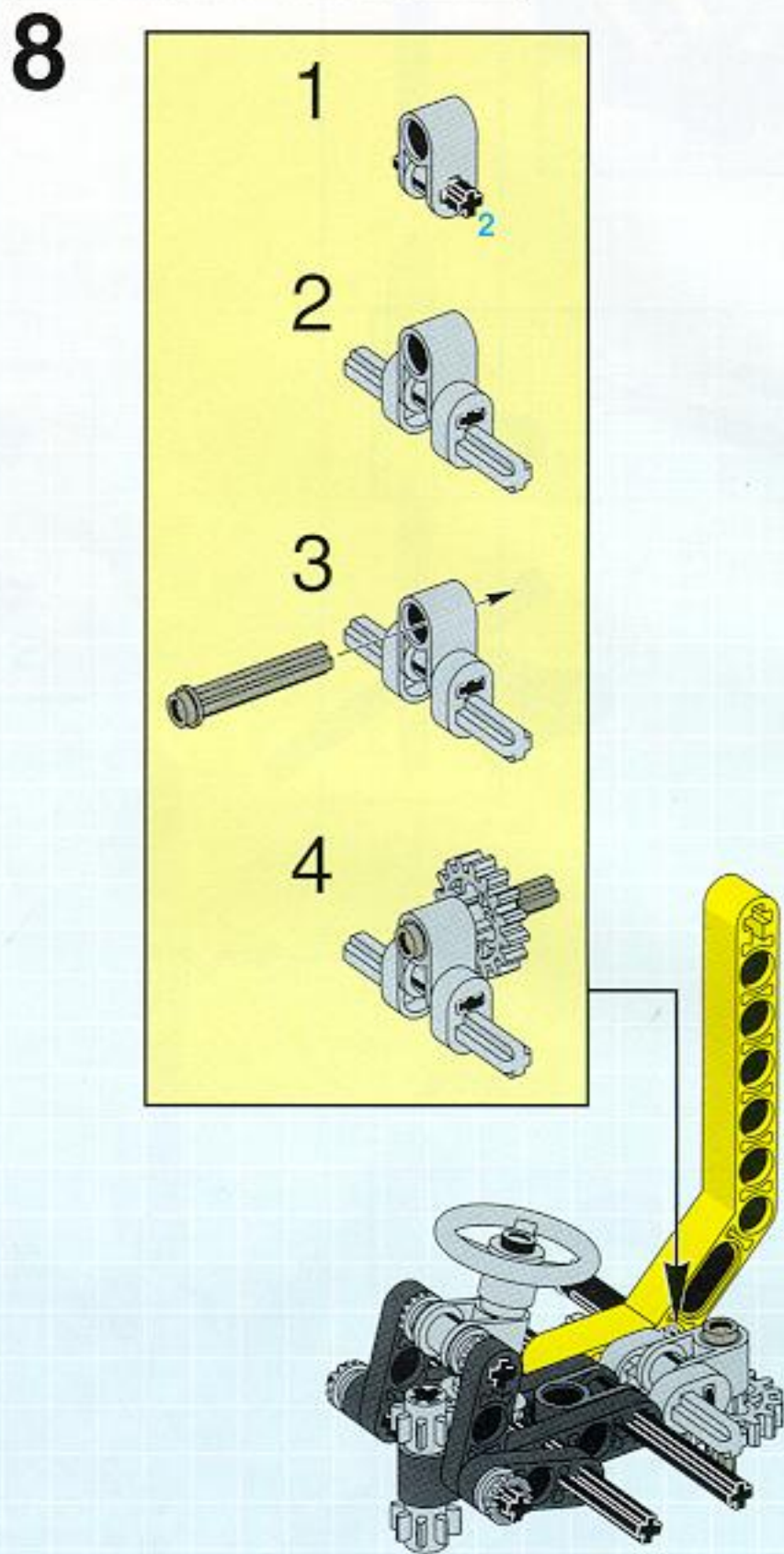
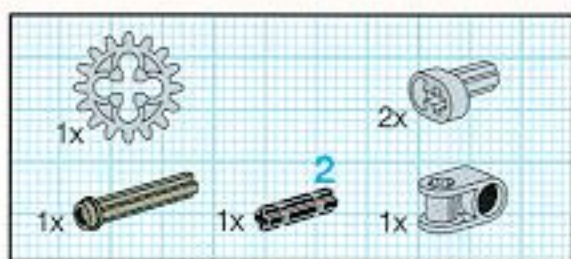
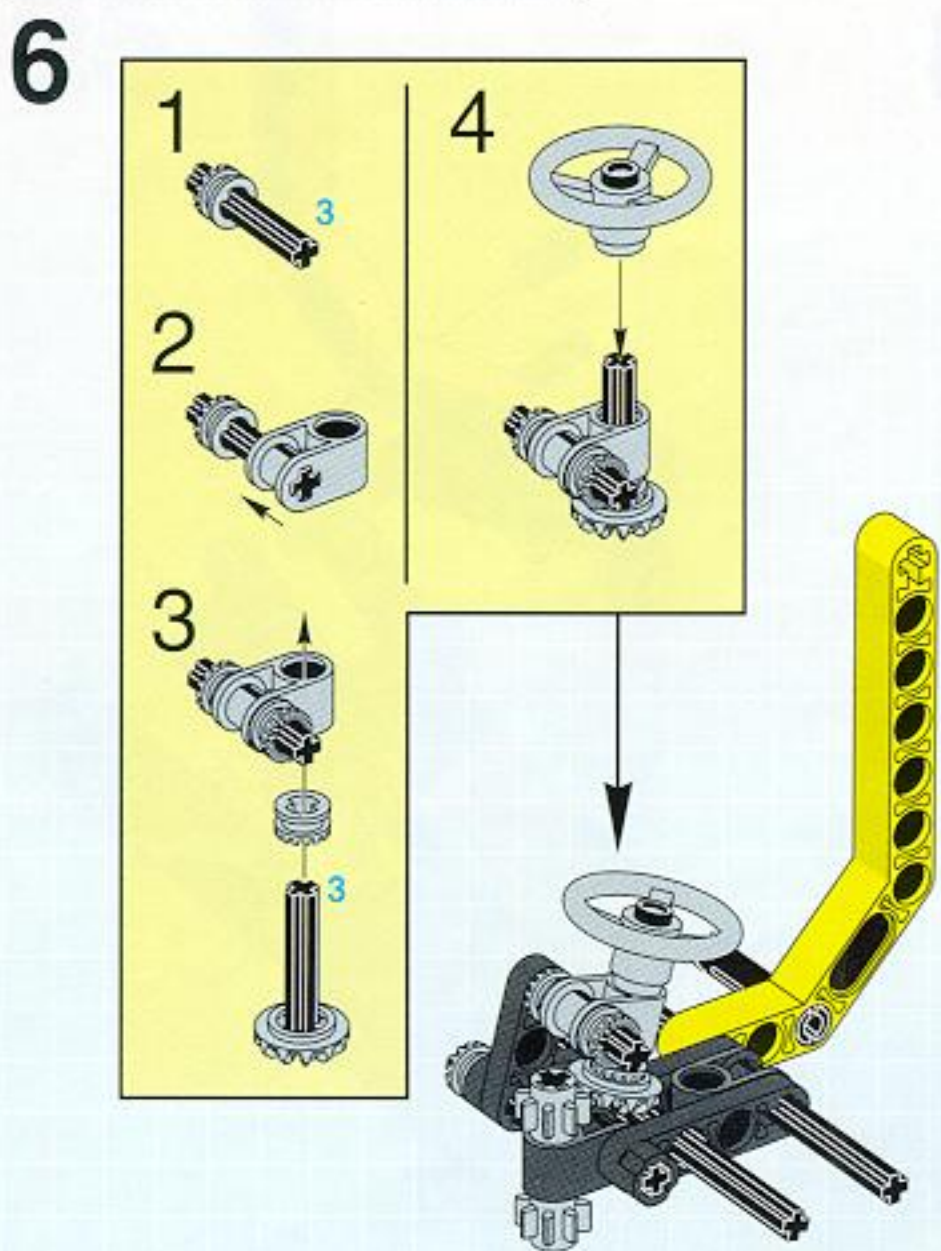
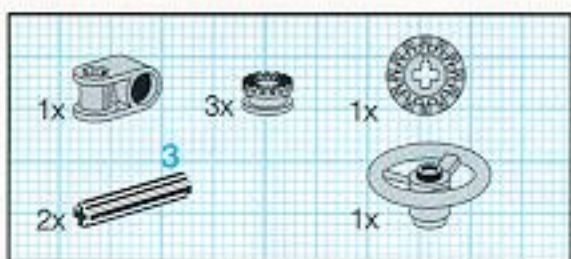


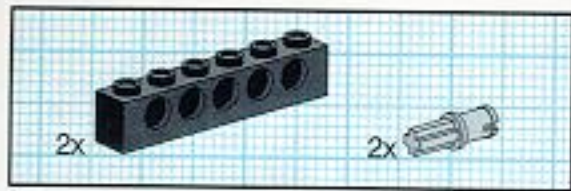
4



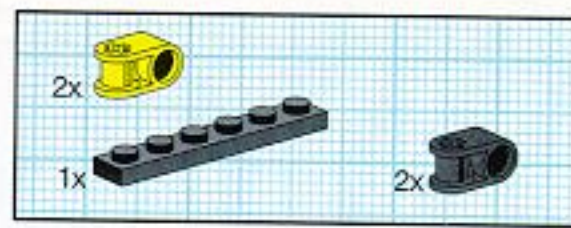
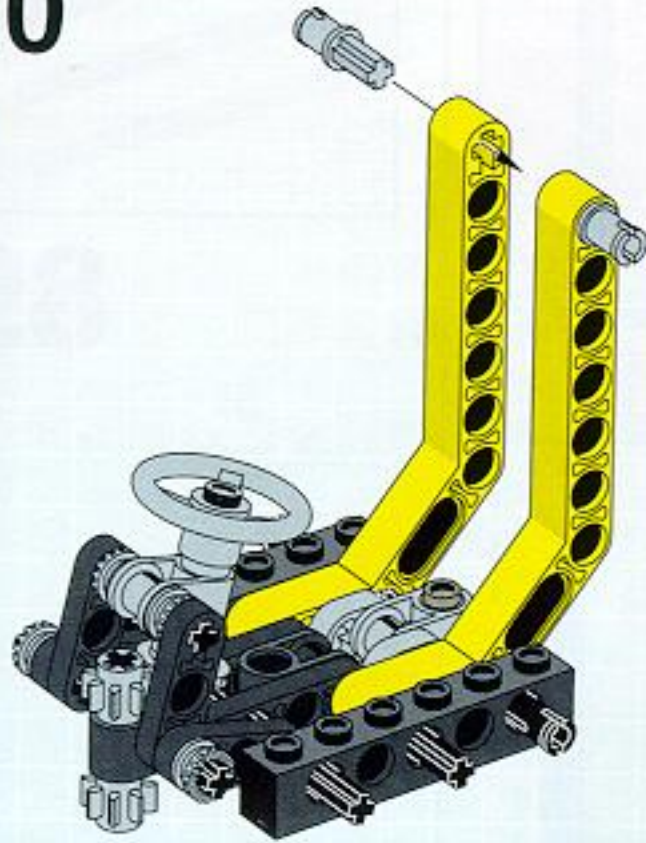
5



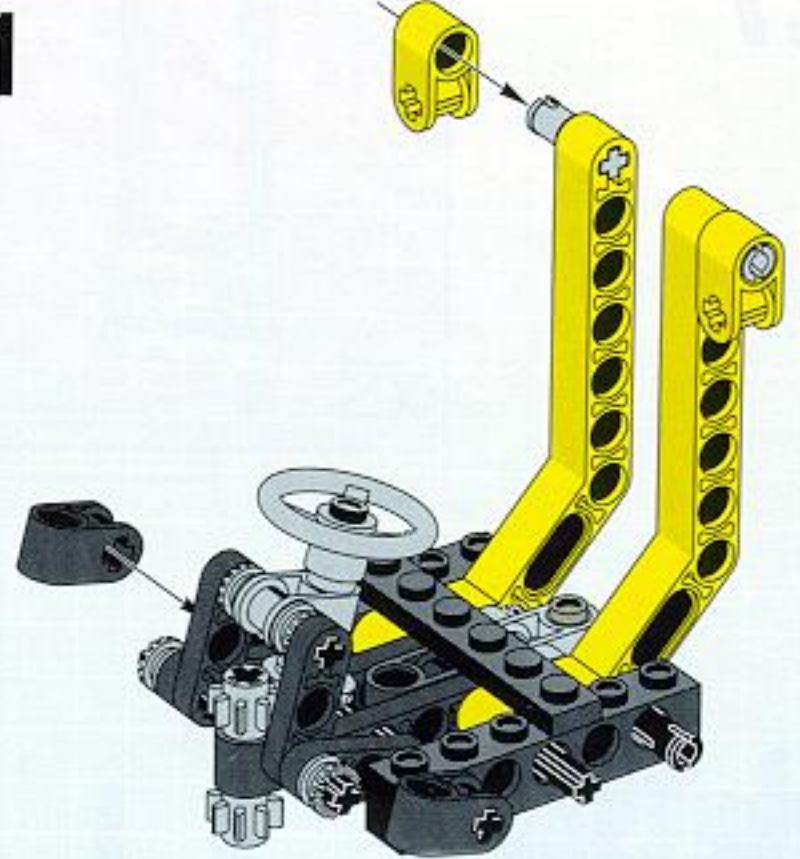




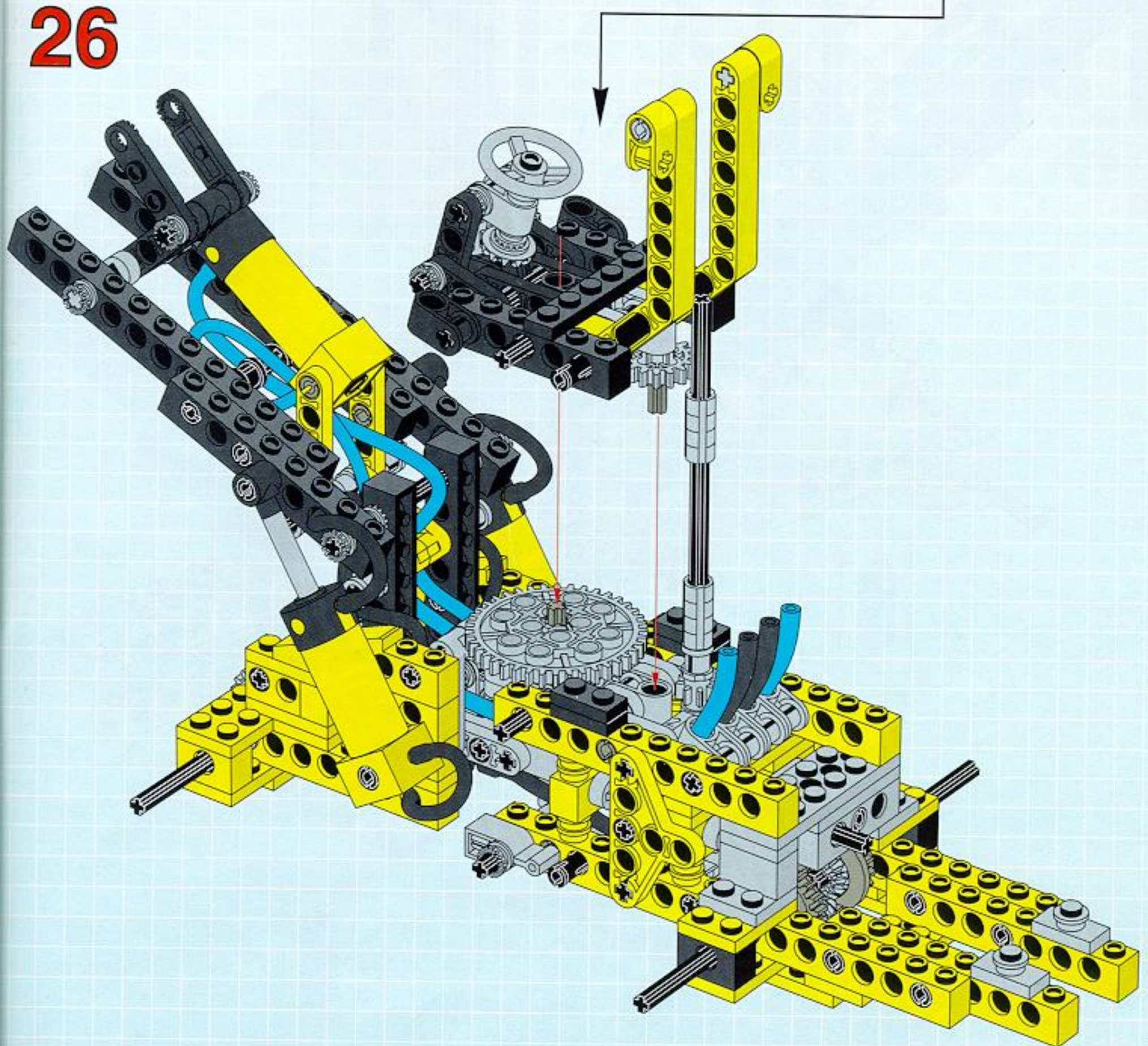
10



11

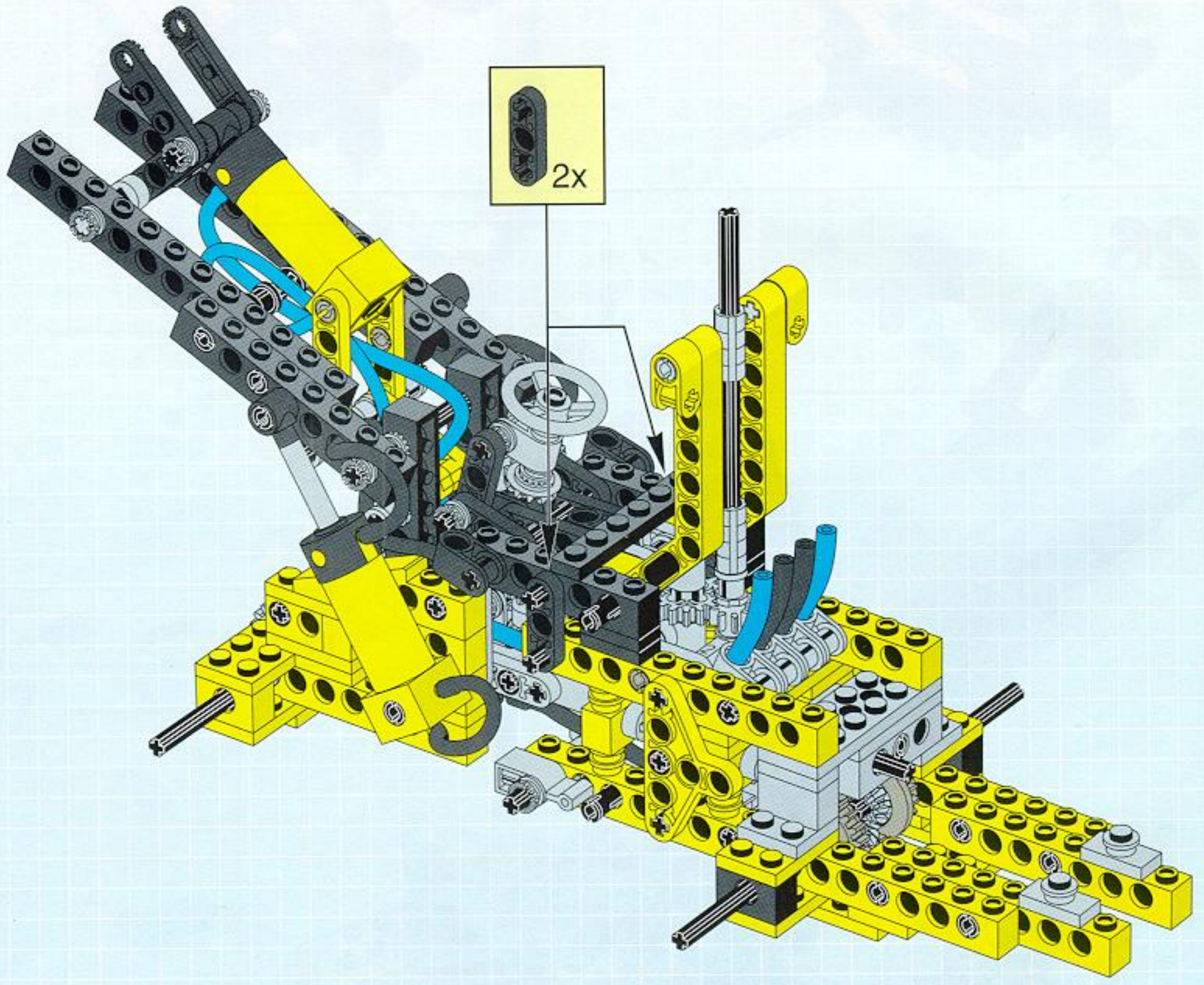


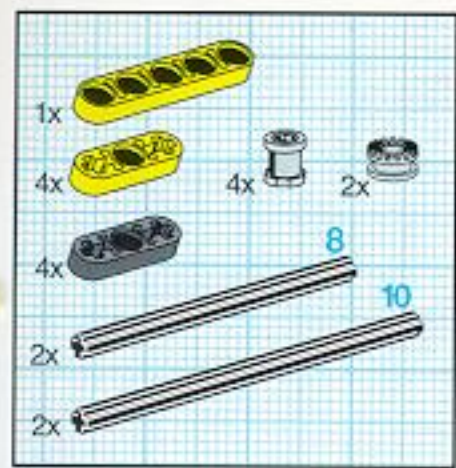
26



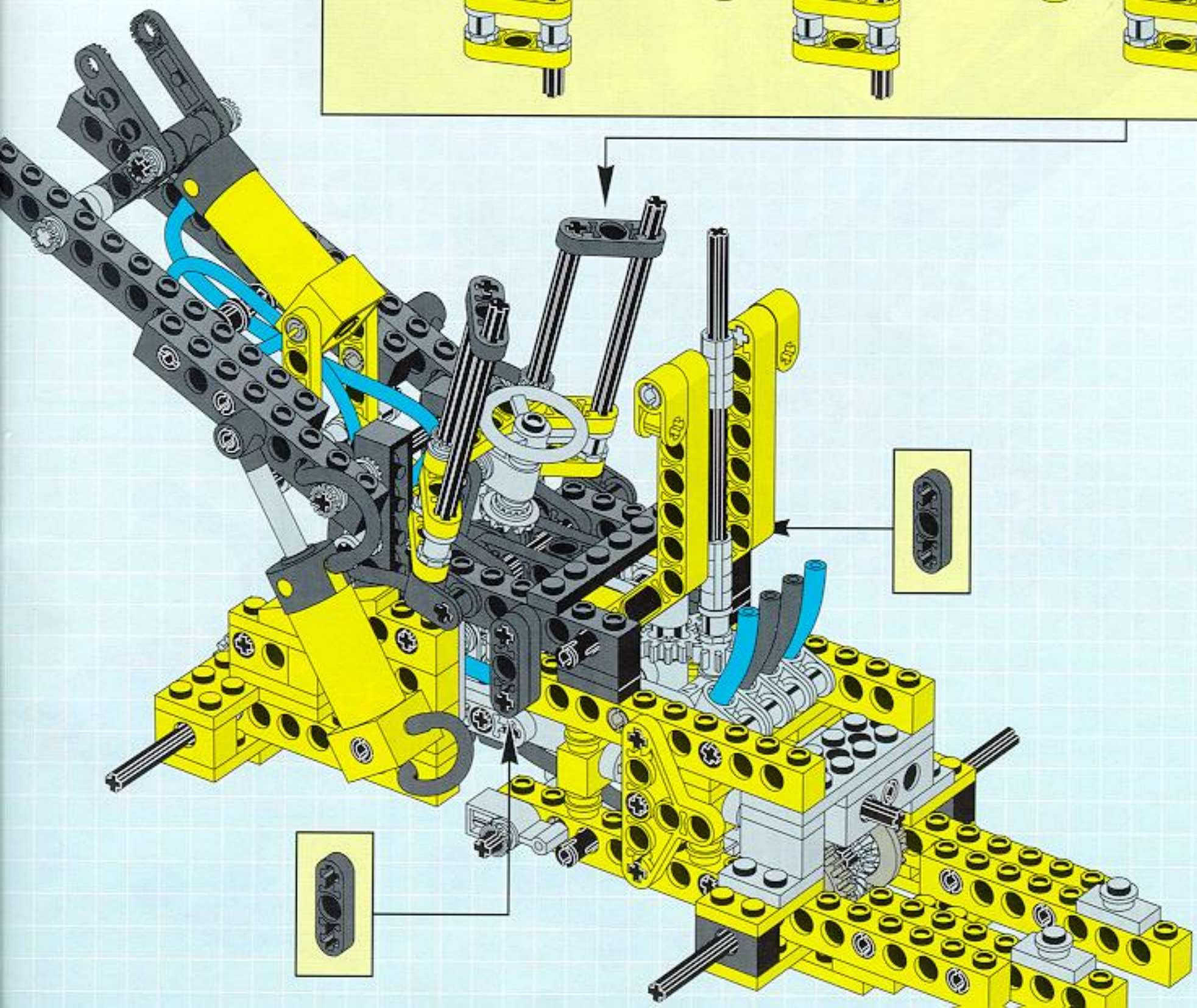
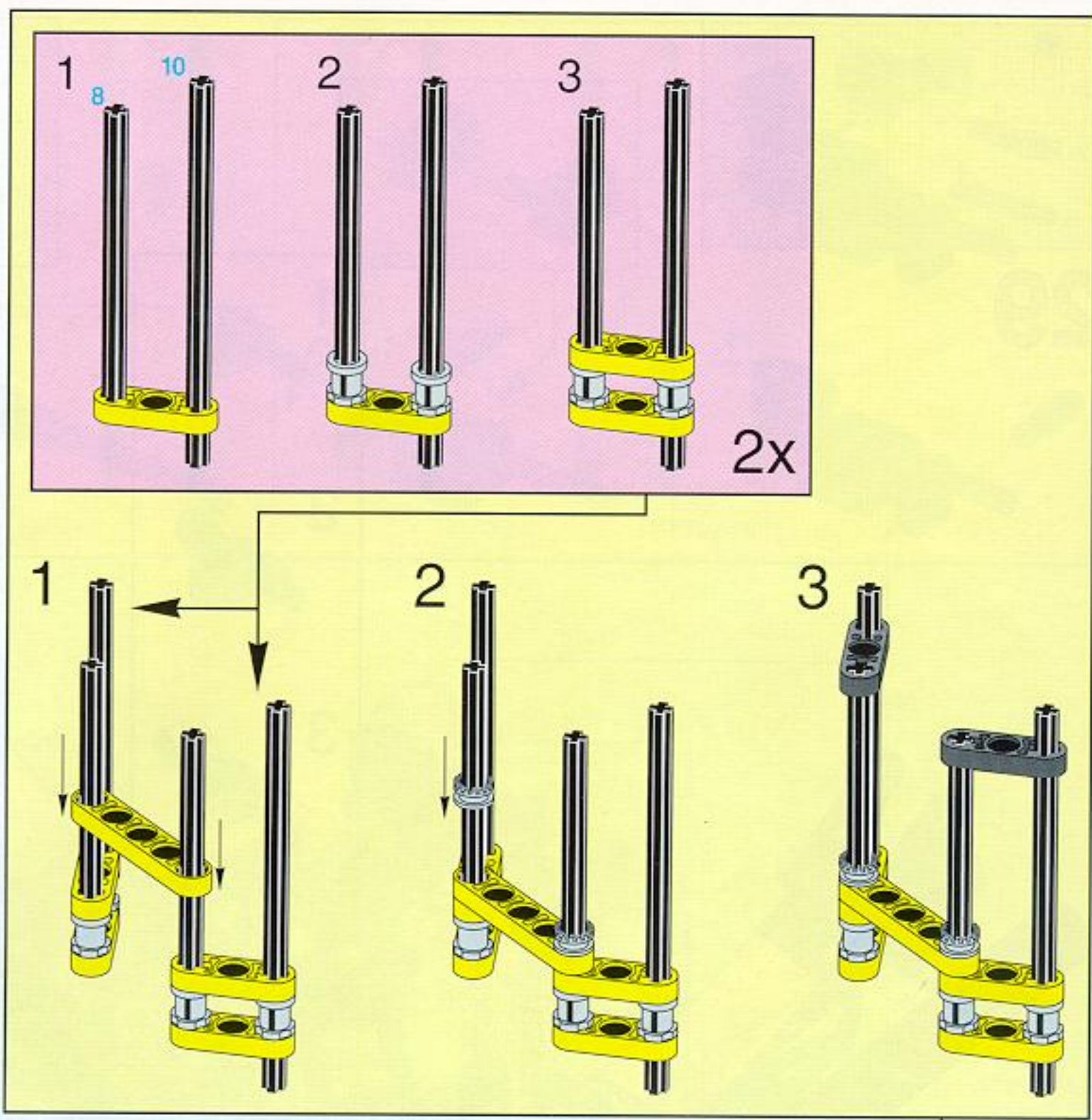


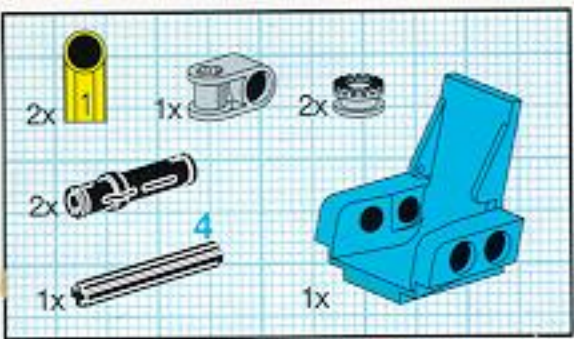
27



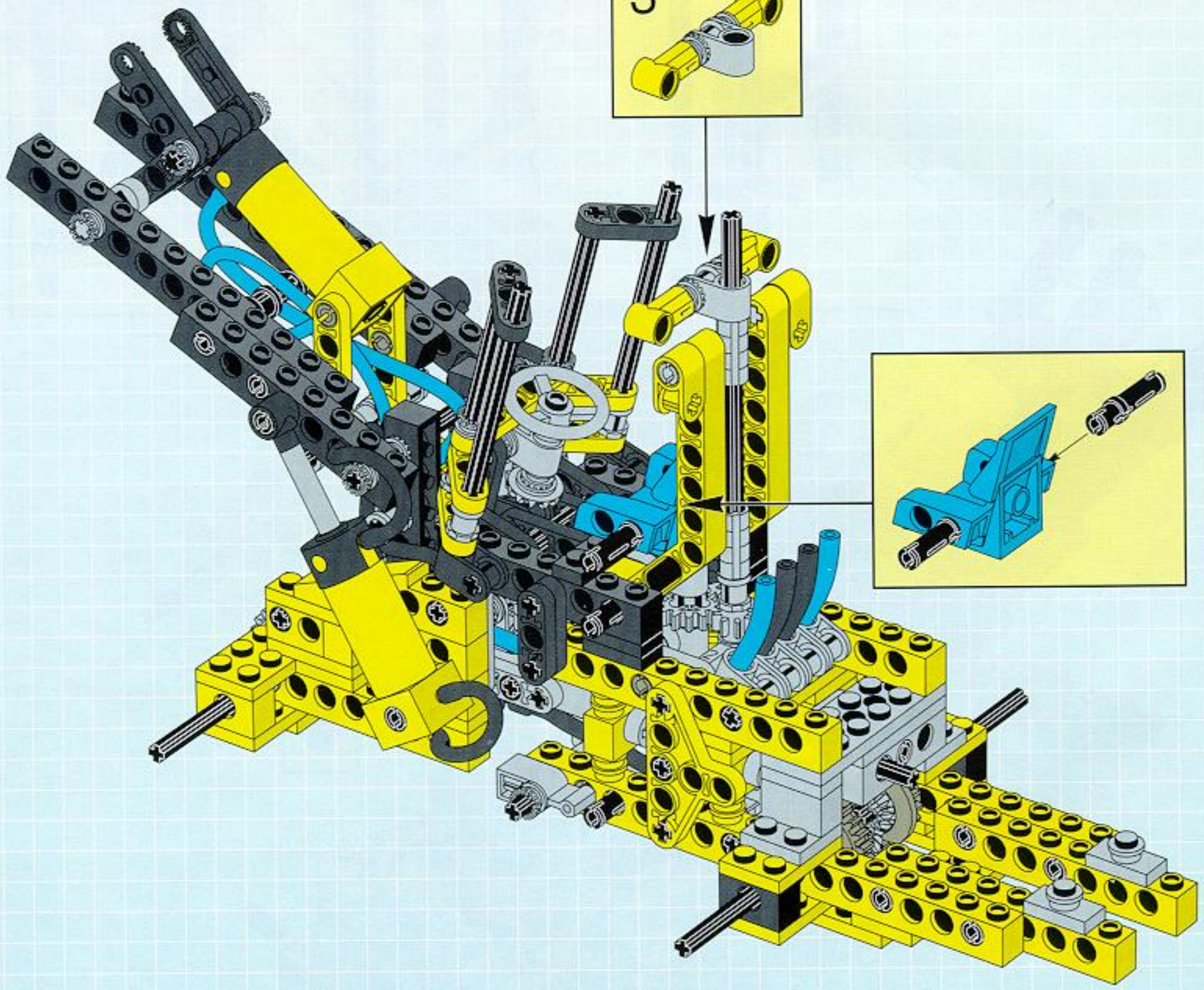


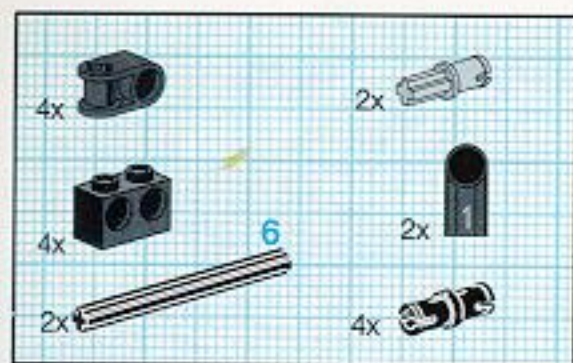
28



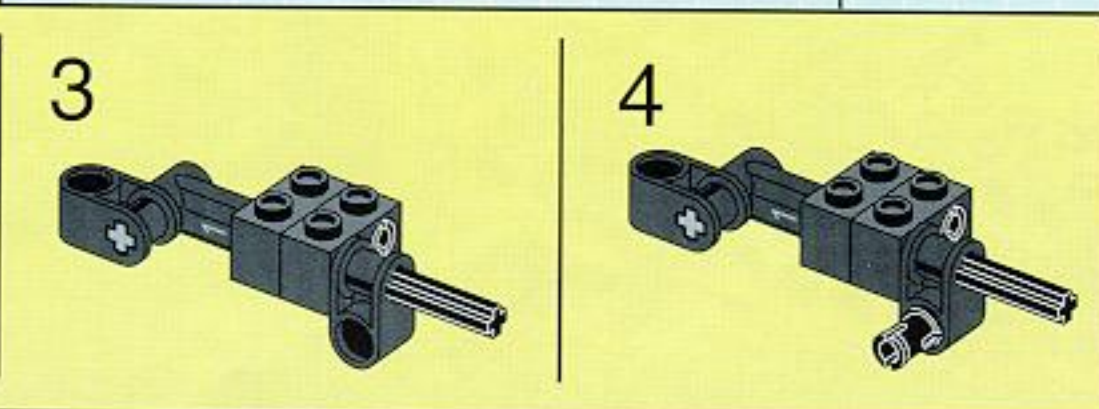
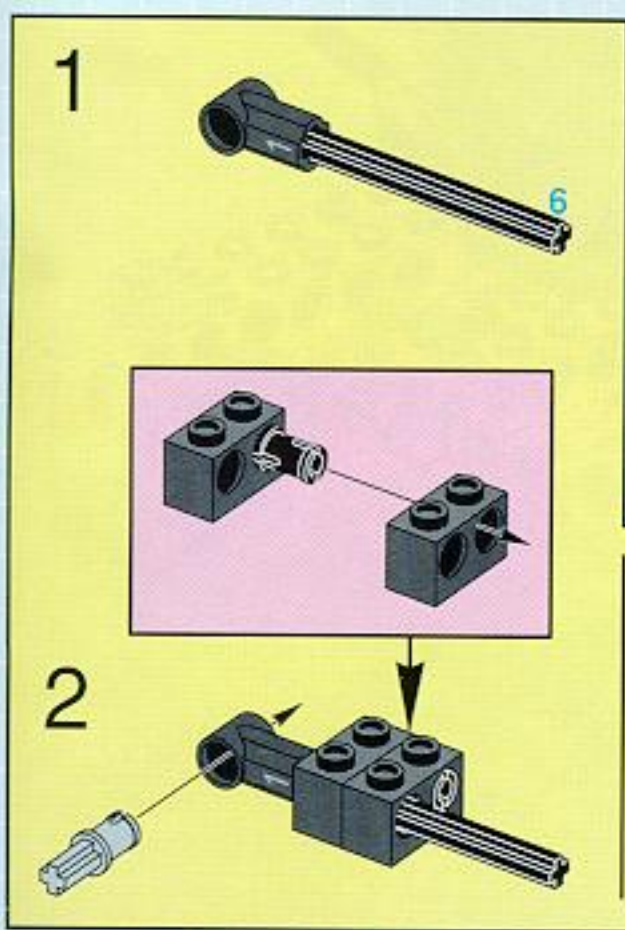
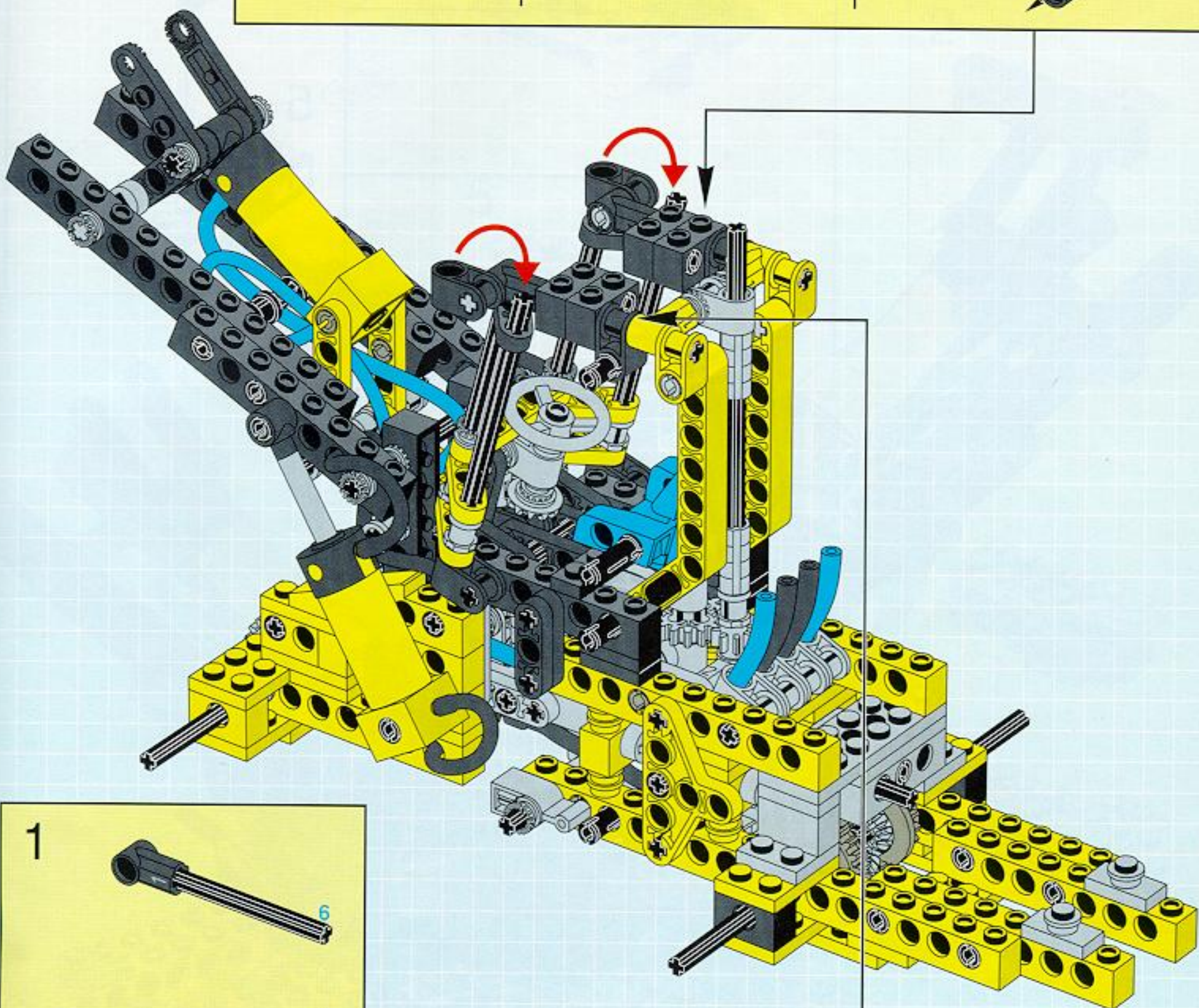
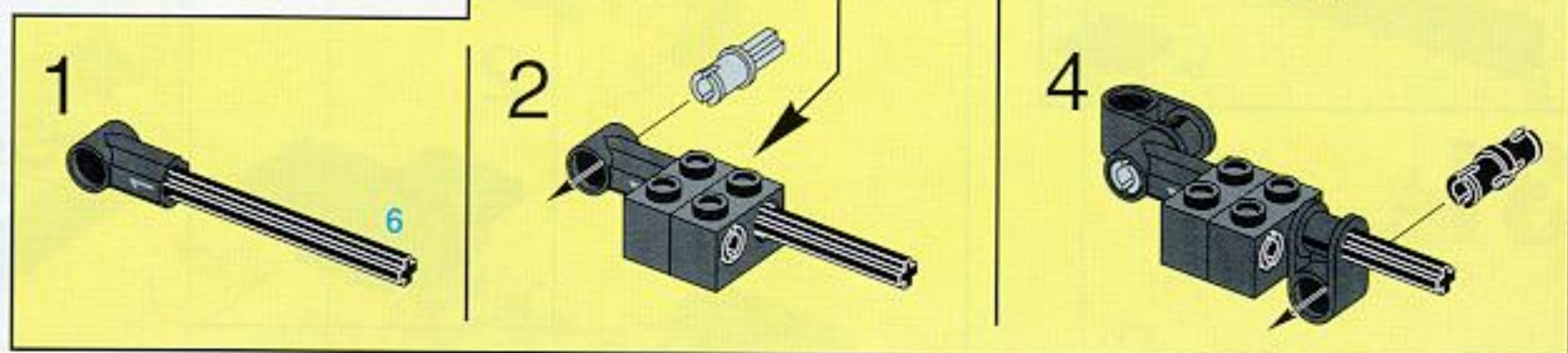


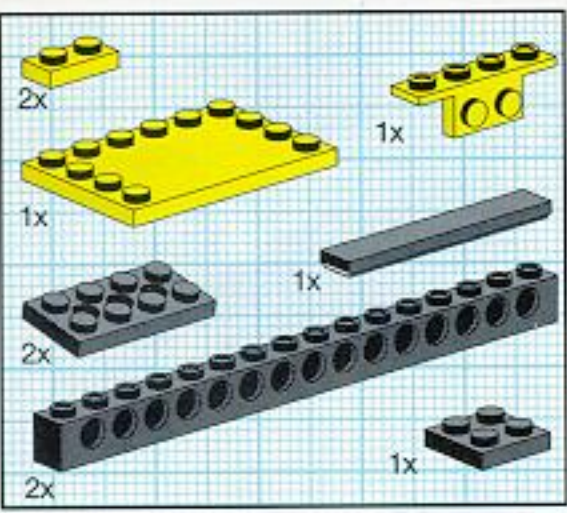
29



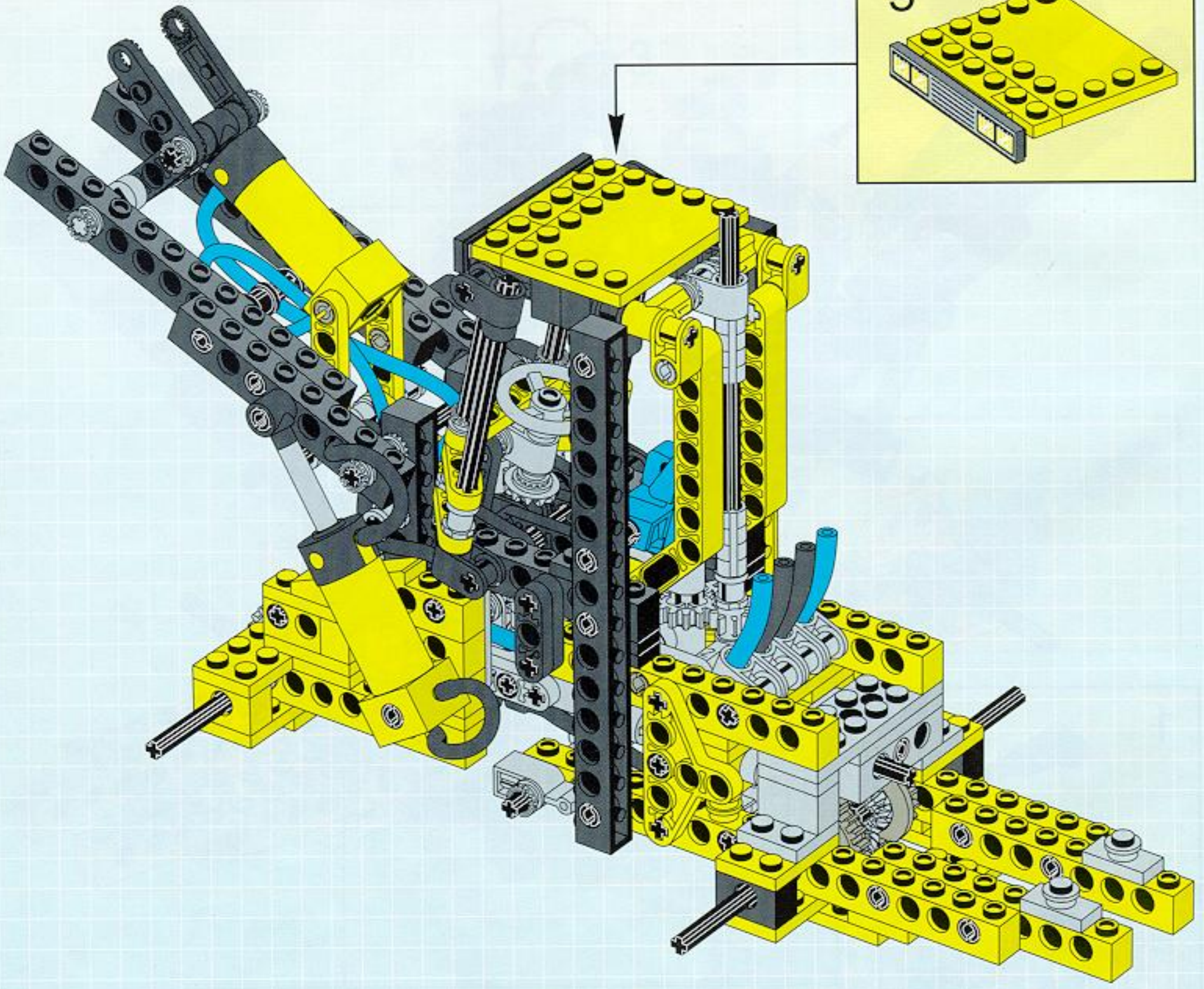
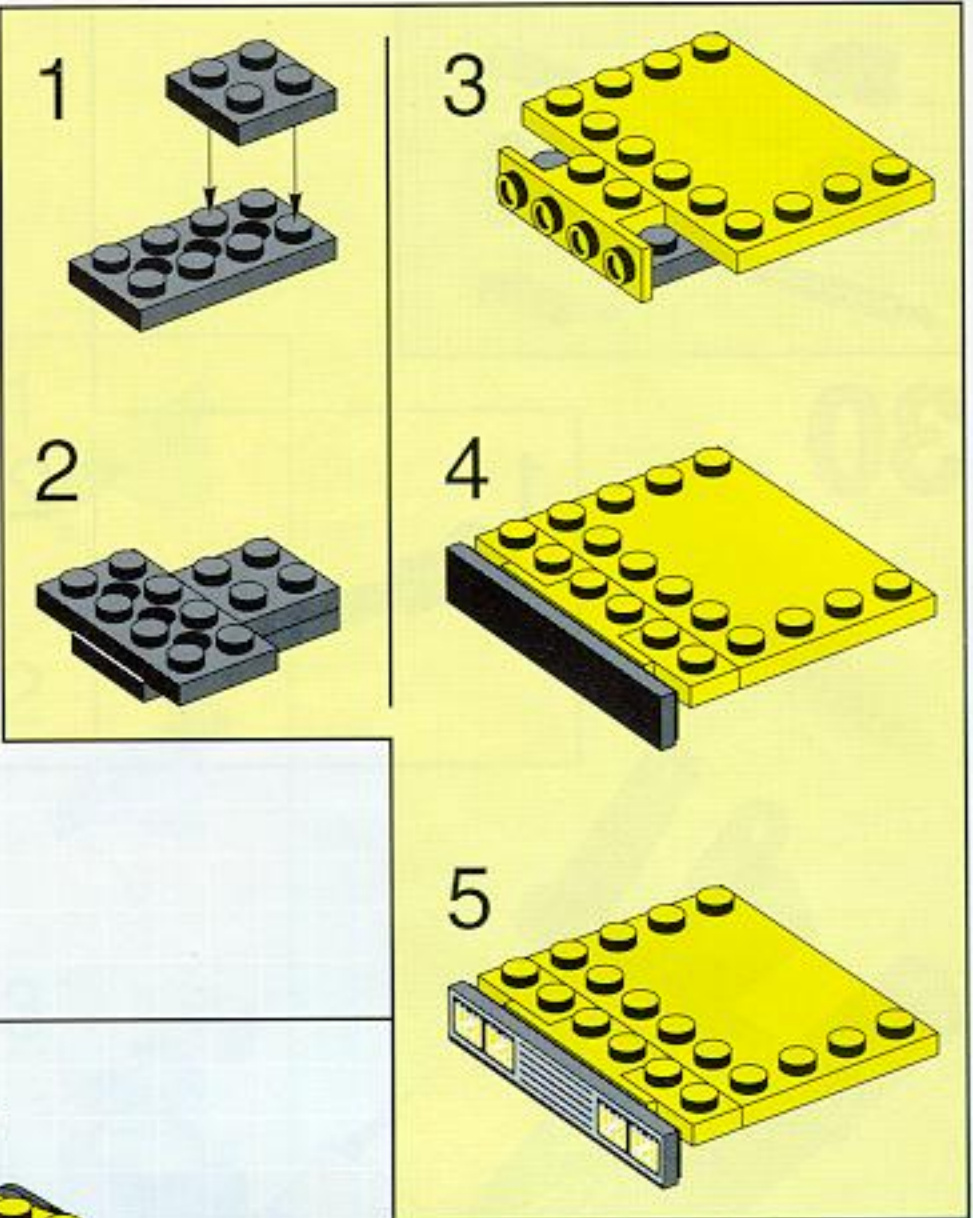


30

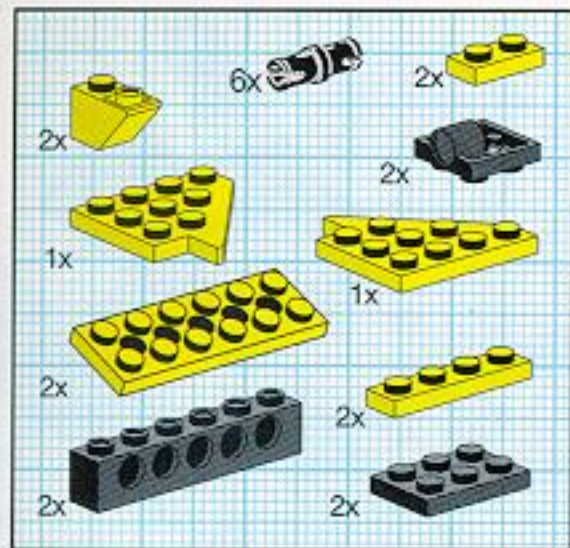




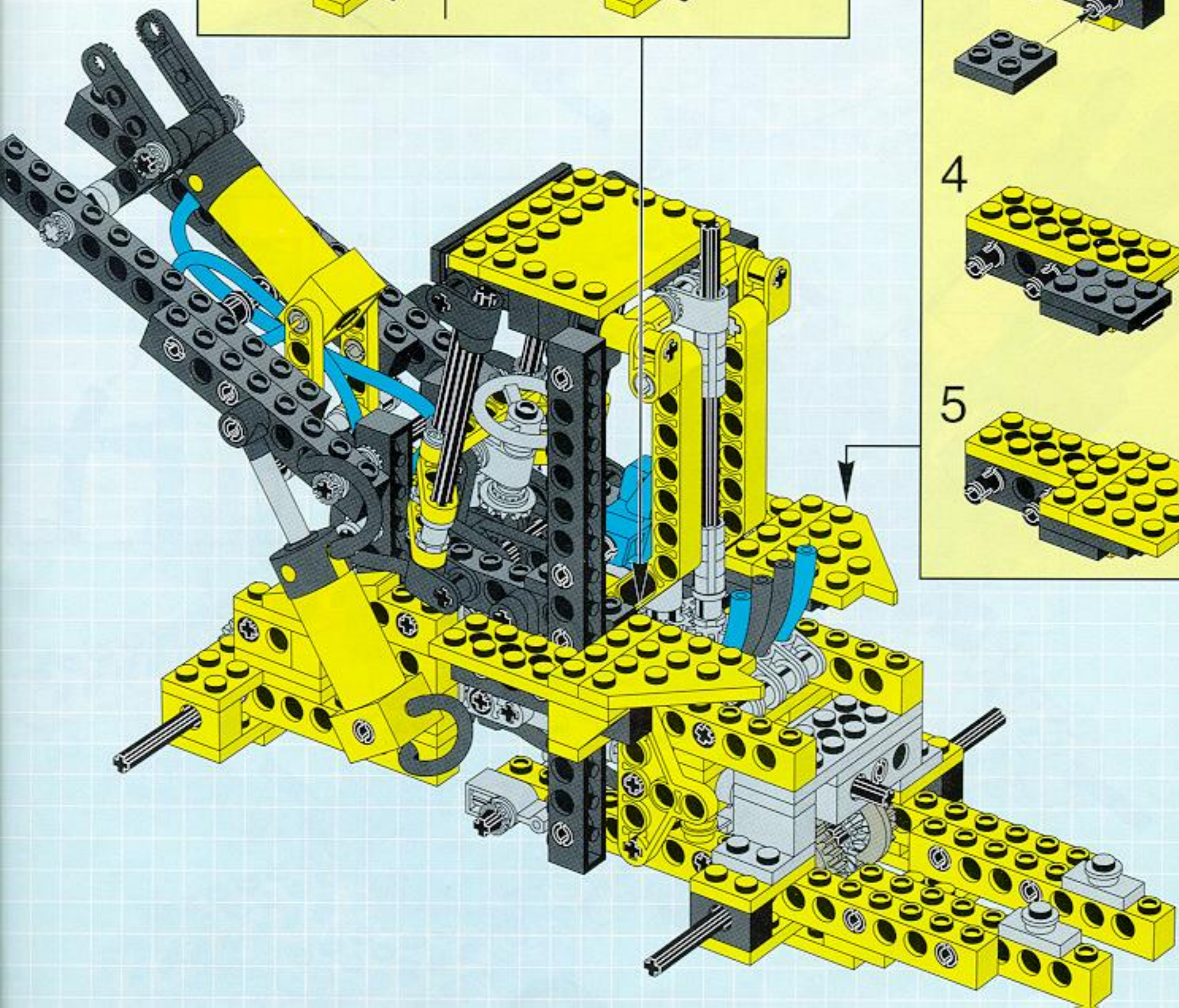
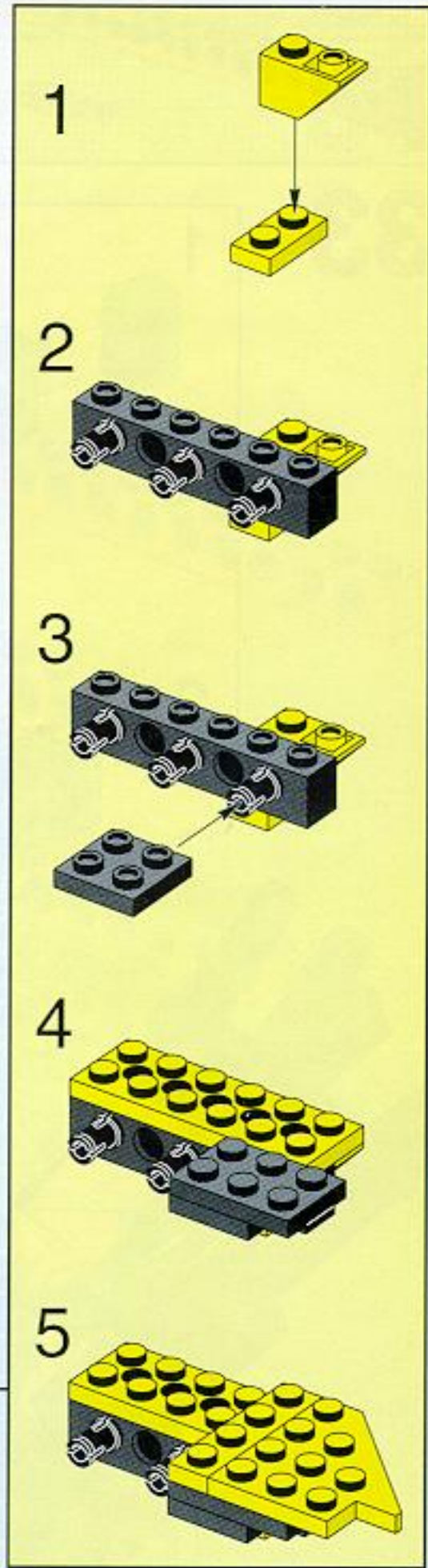
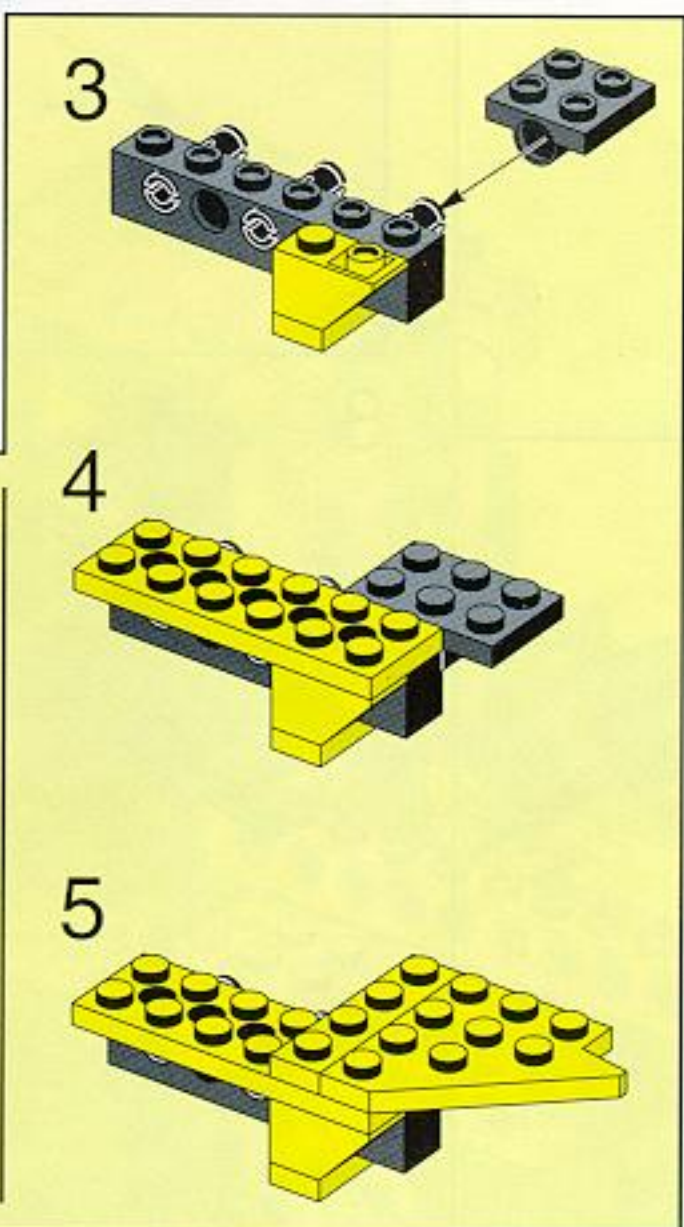
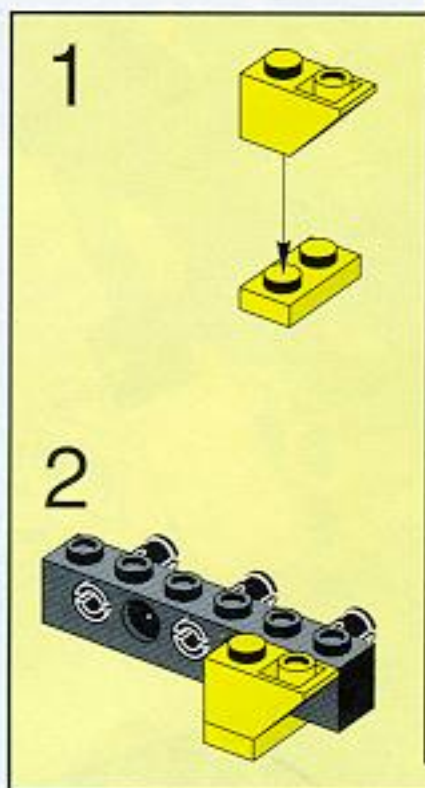
# 31

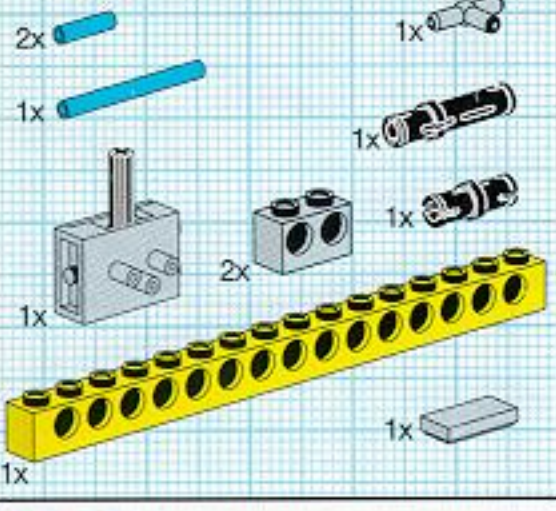






**32**





Inset diagram showing three blue pins and two grey connectors. Dimensions are indicated: 1.5 cm for the short pins and 5 cm for the long pin.

**3**

**4**

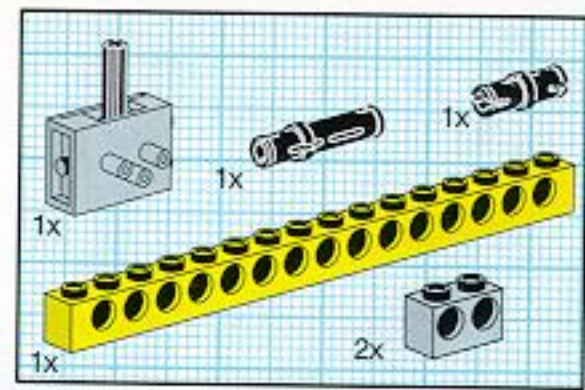
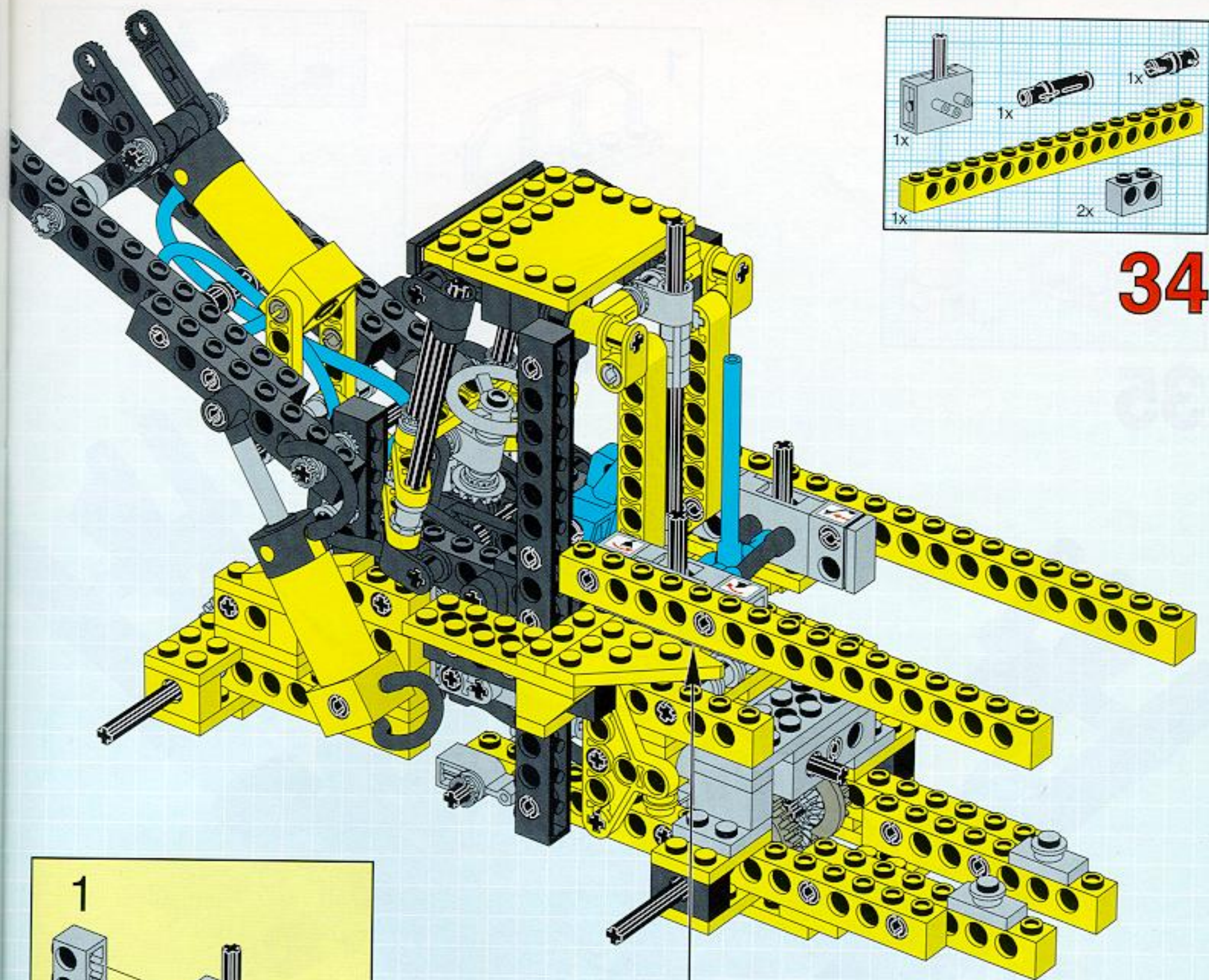
**33**

**1**

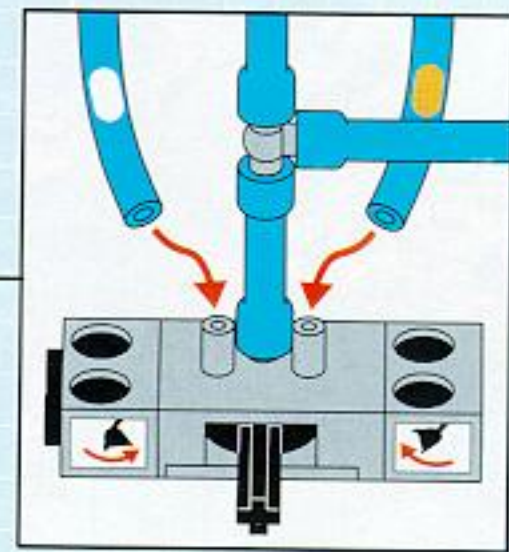
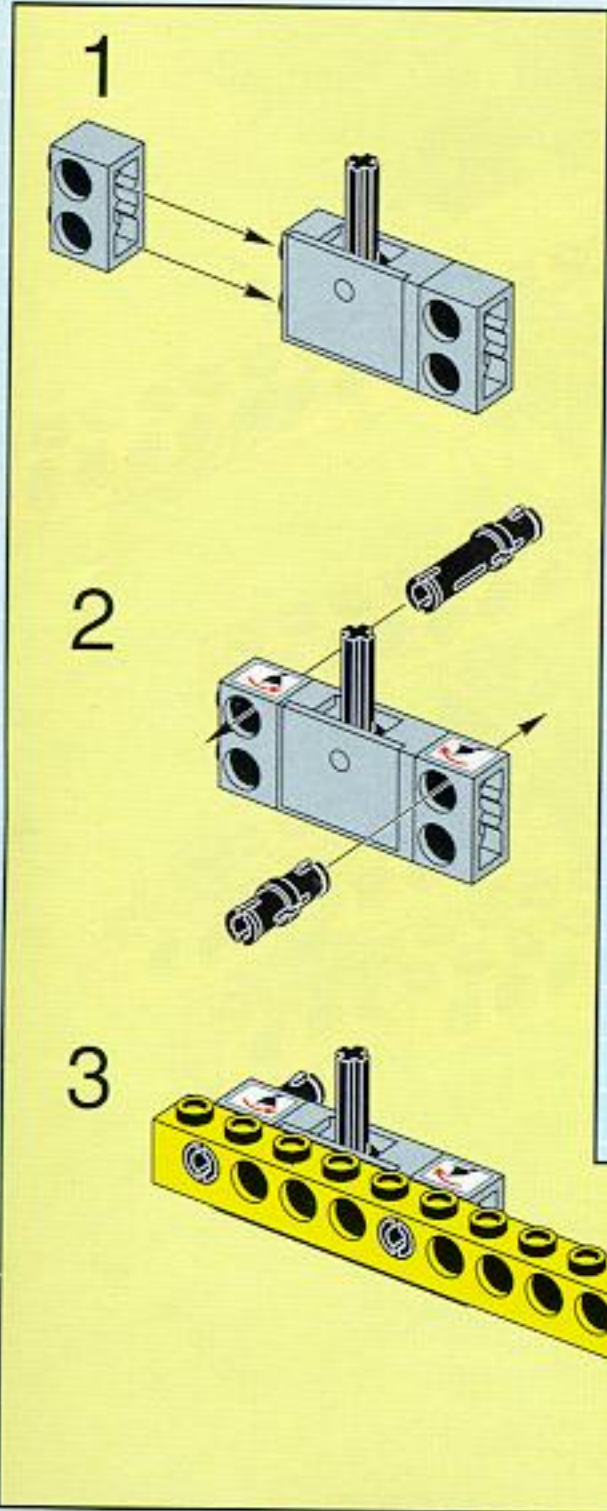
**2**

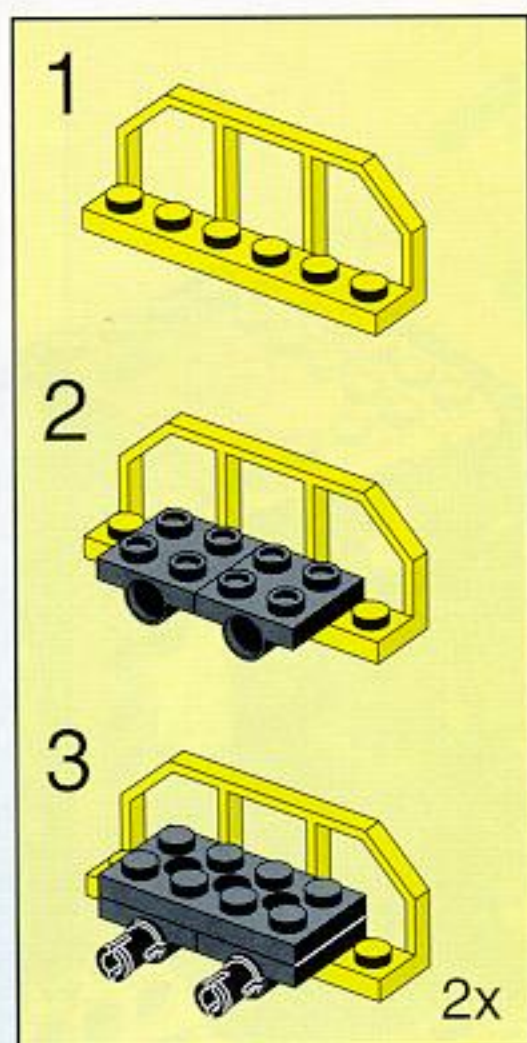
**33**

The main assembly diagram shows the sub-assembly from step 4 being installed into a larger yellow and black mechanism. The inset diagram shows a close-up of the sub-assembly being inserted into the main mechanism, with red arrows indicating the direction of movement.

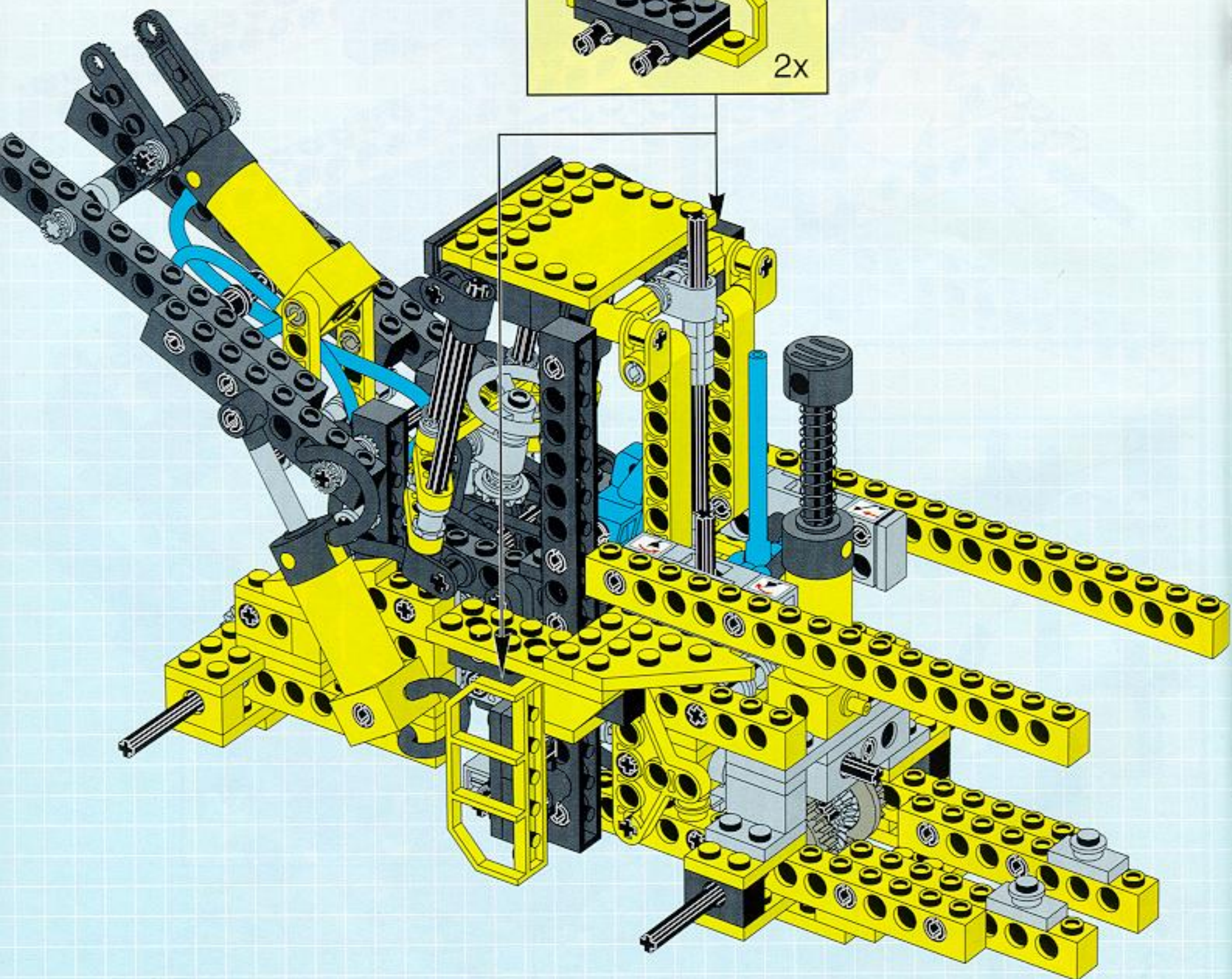


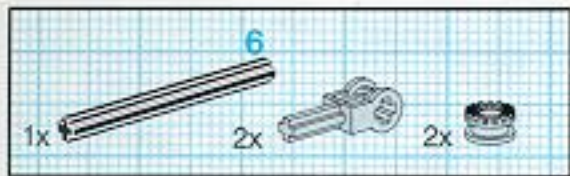
**34**



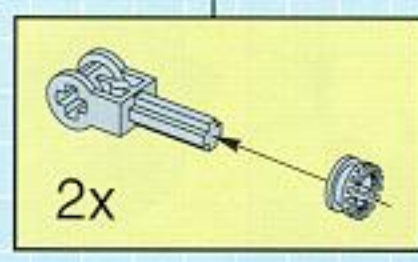
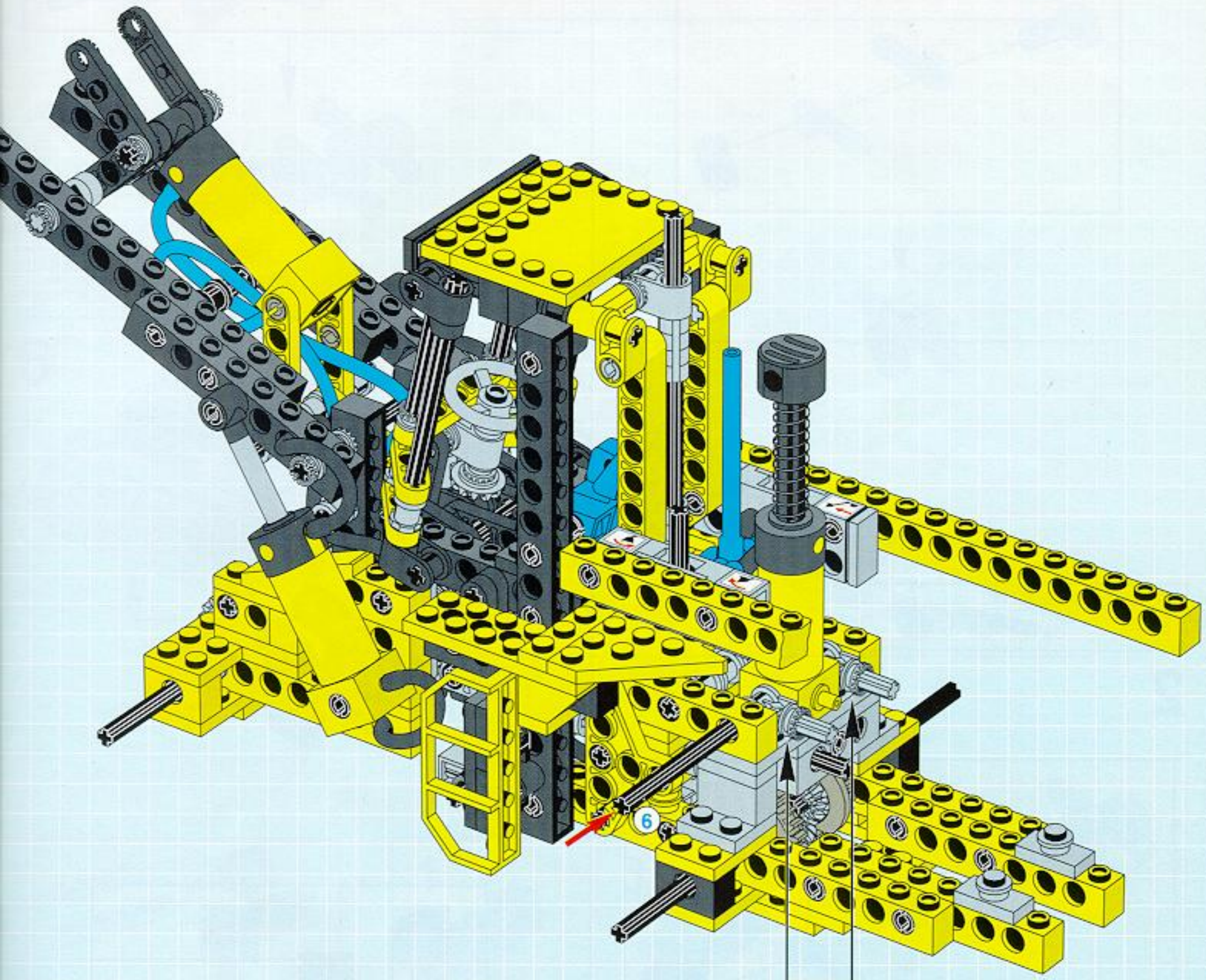


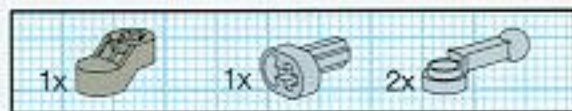
**35**



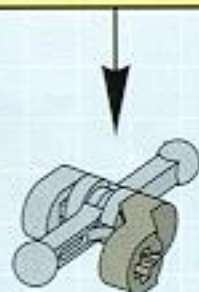
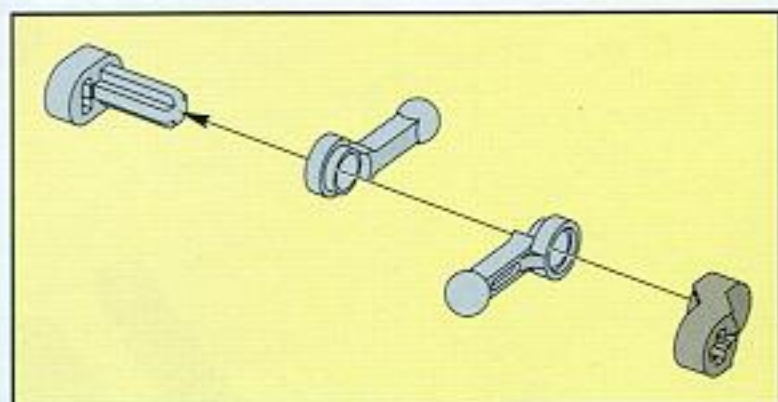


36

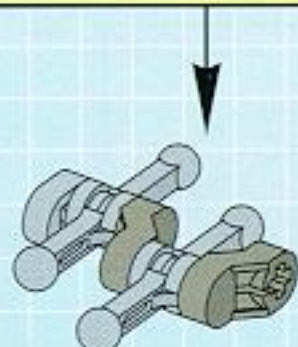
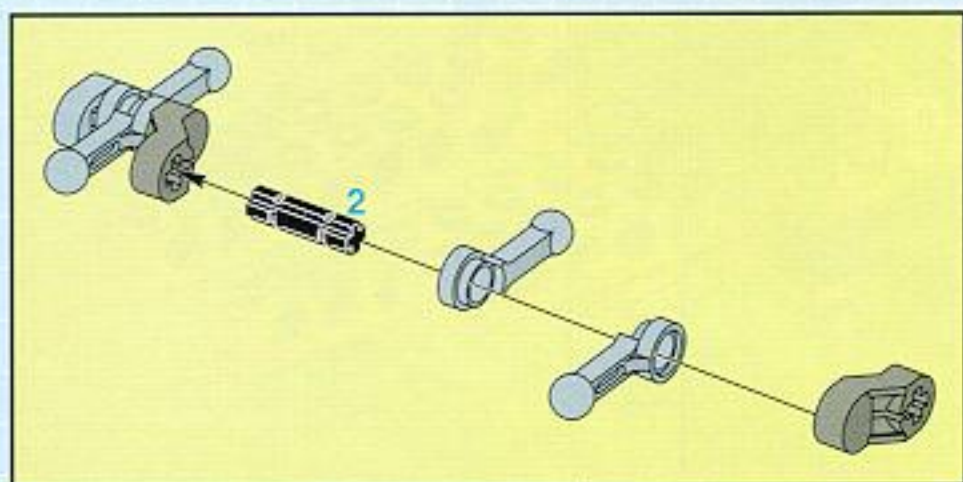




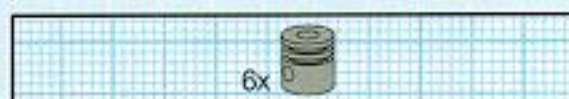
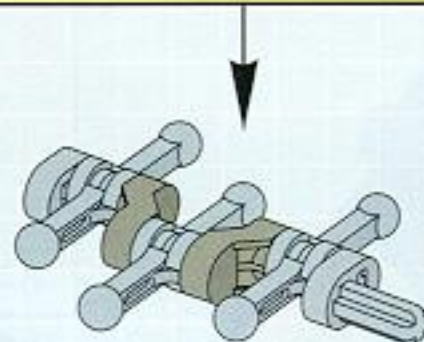
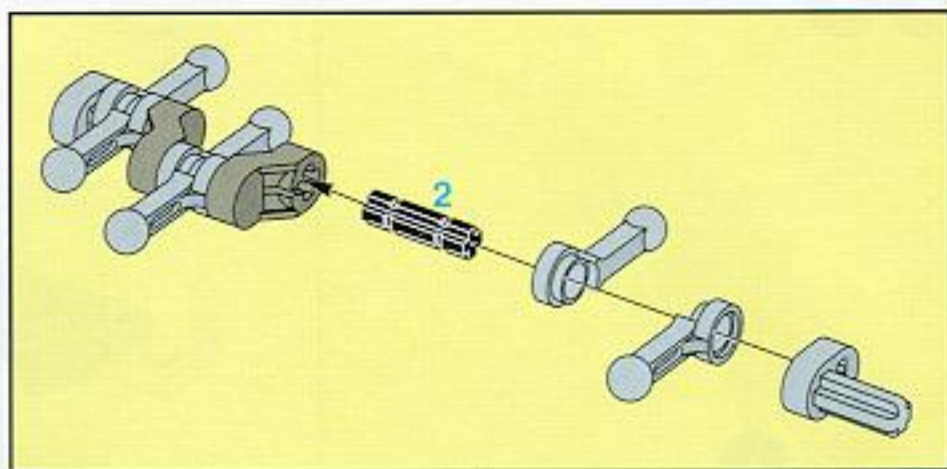
1



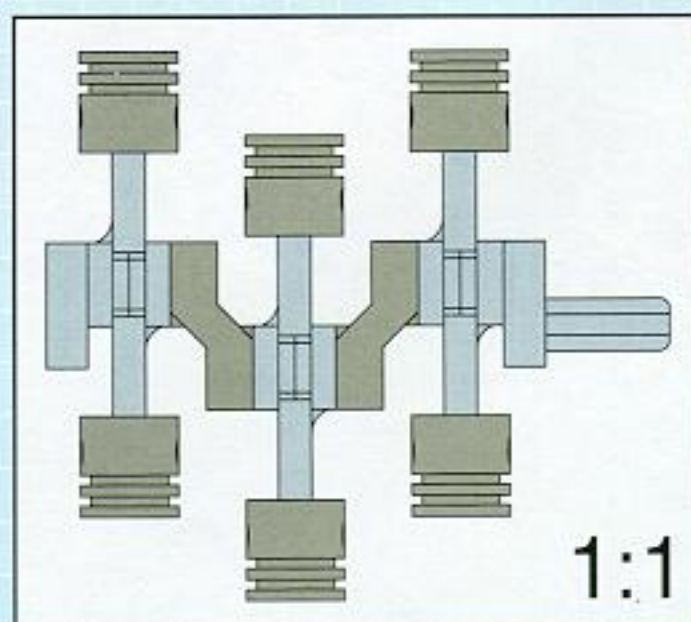
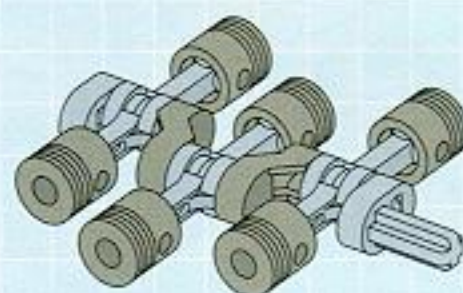
2

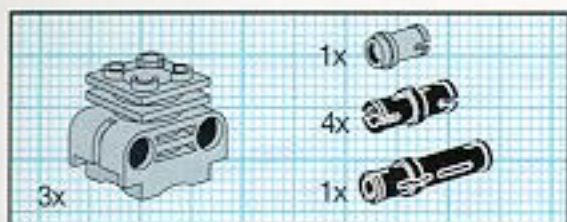


3

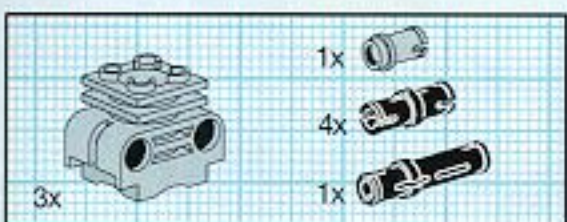
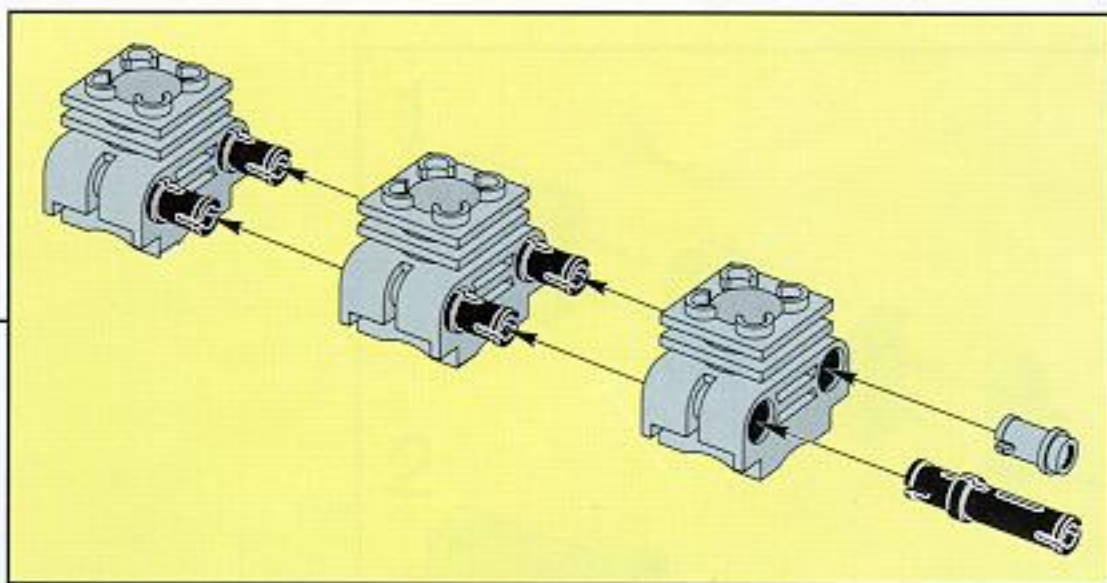
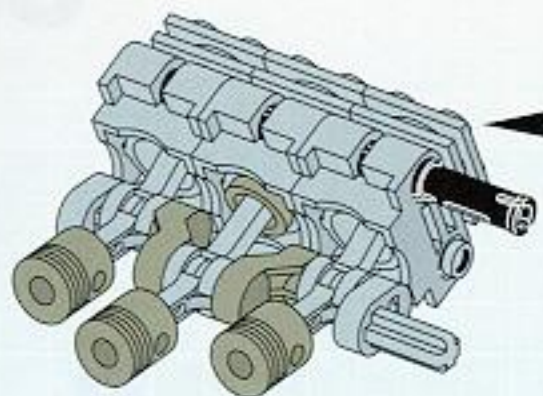


4

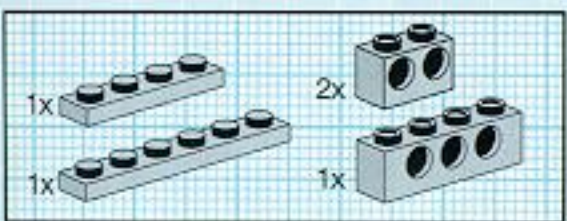
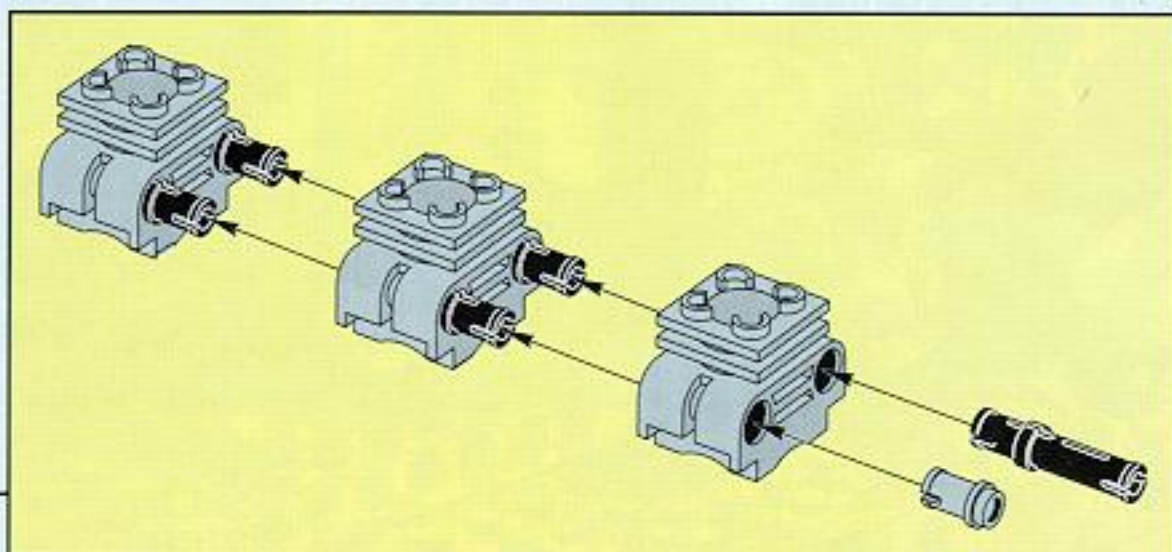
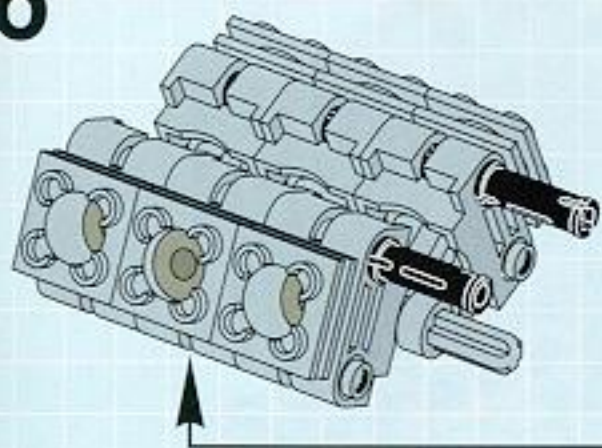




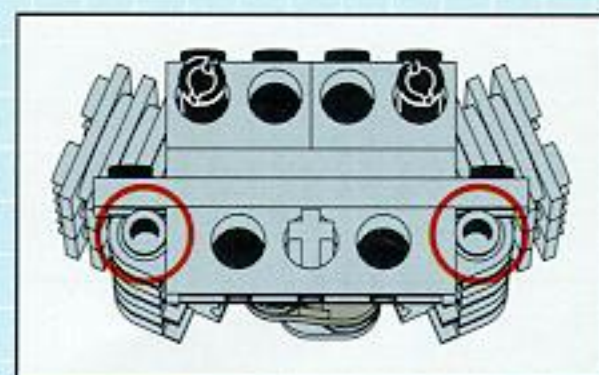
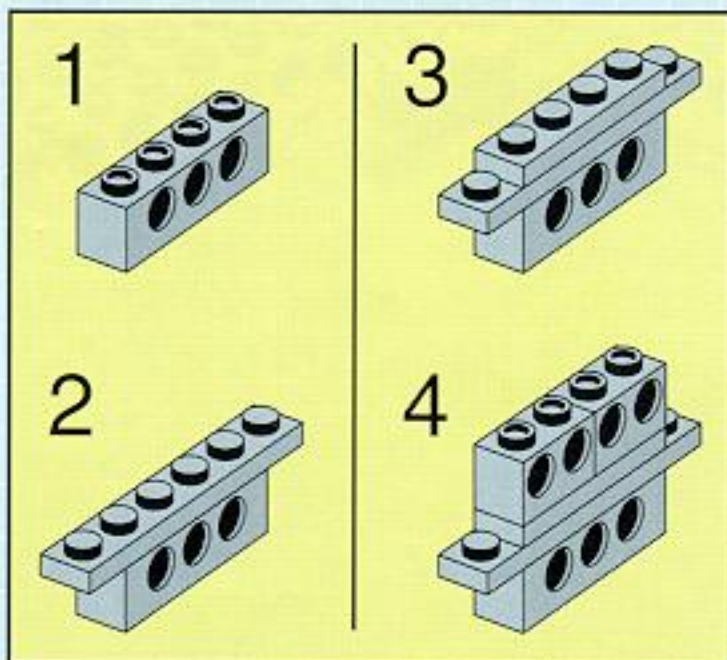
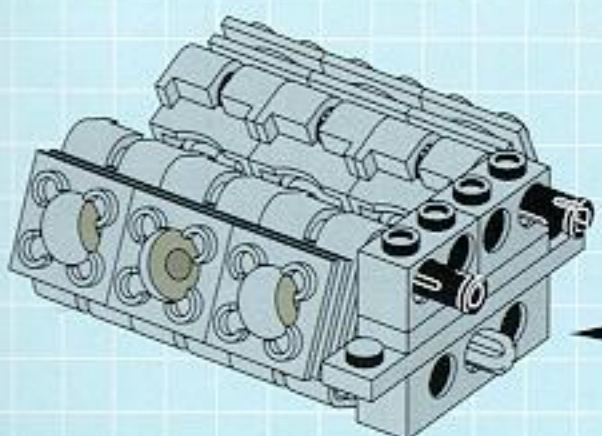
5



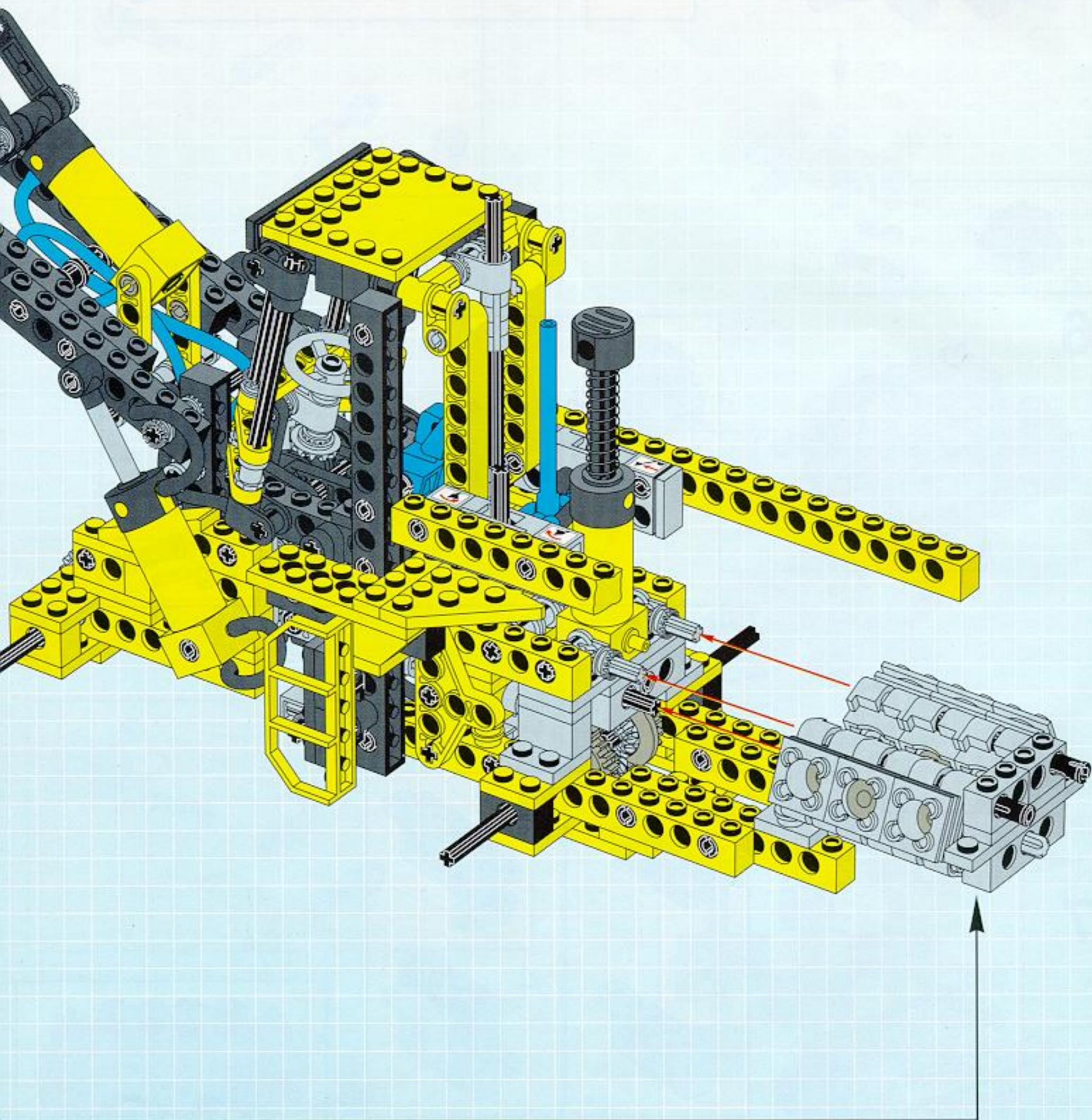
6



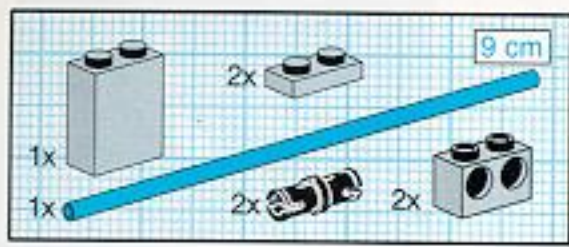
7



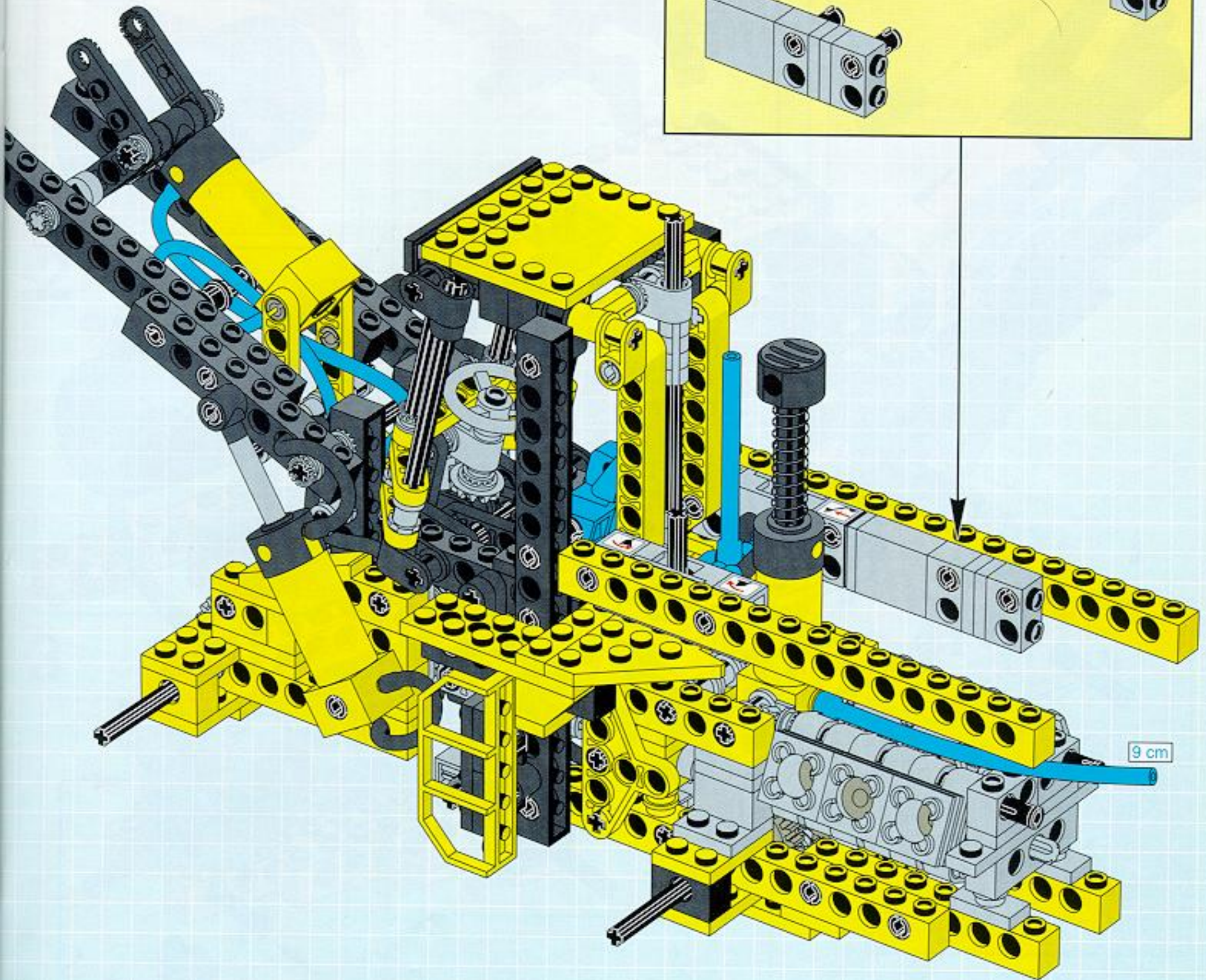
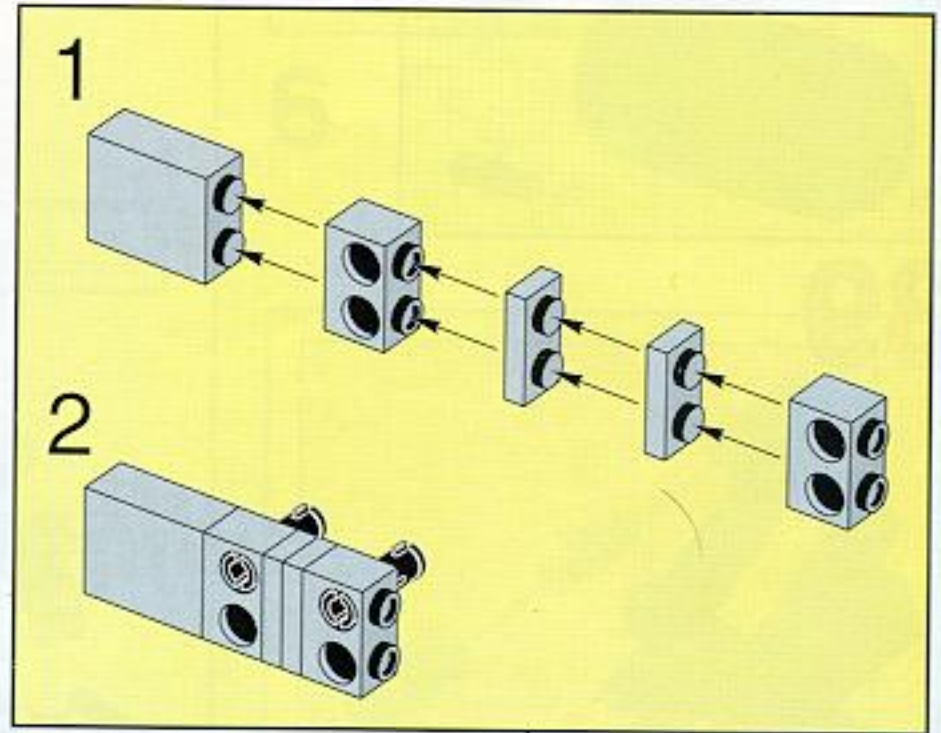
37





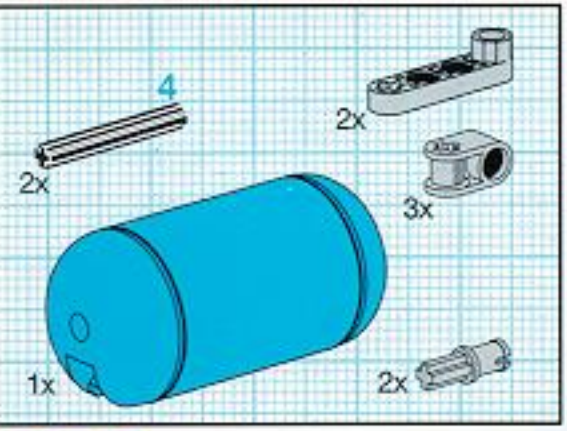


38

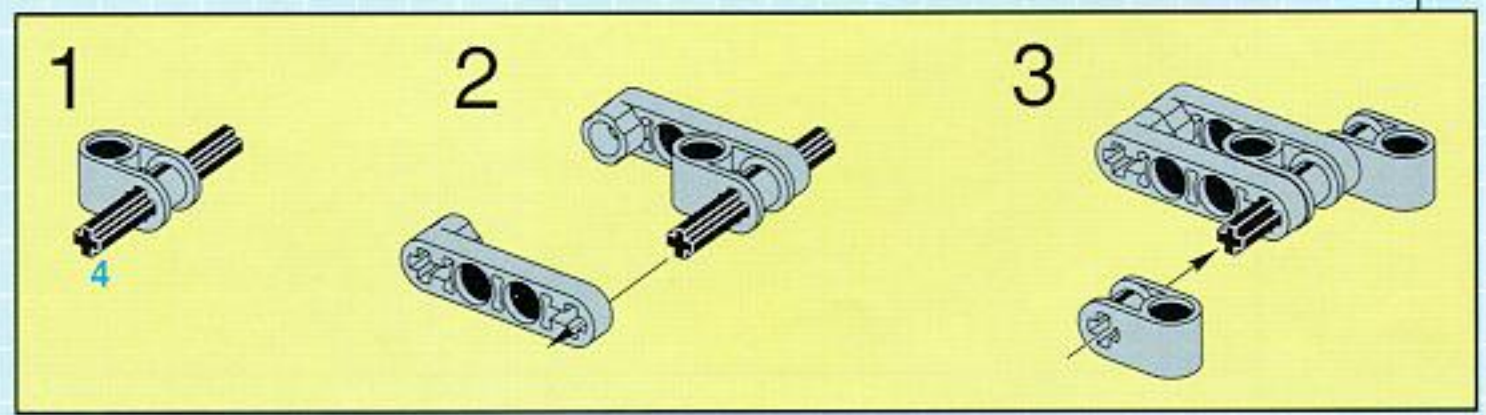
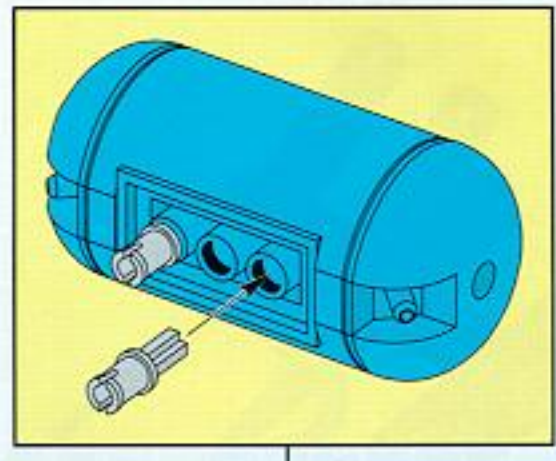
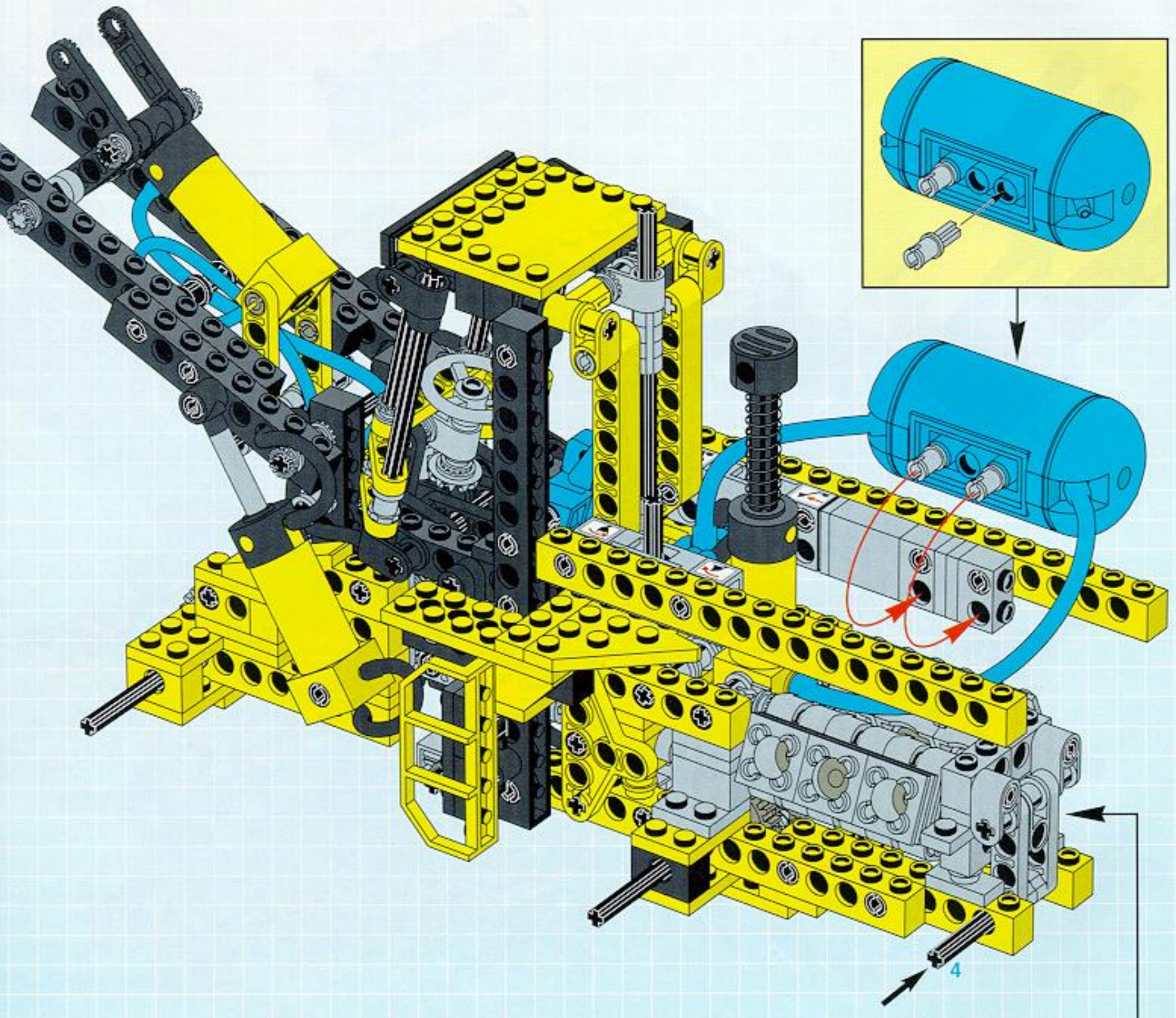


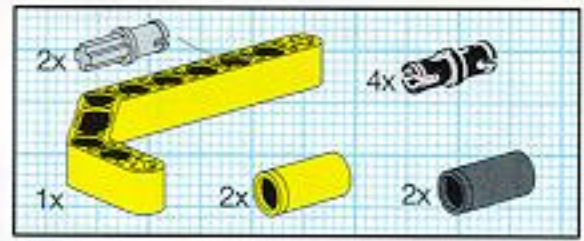
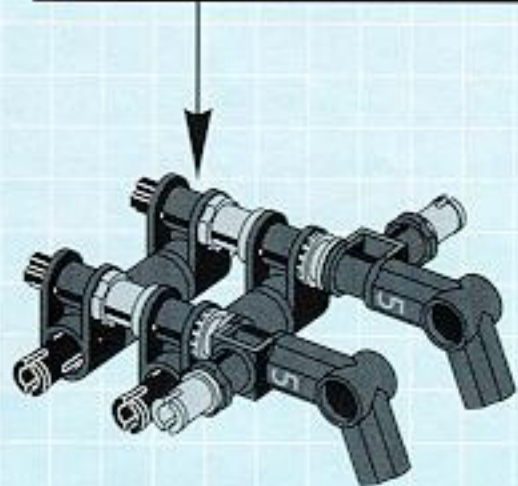
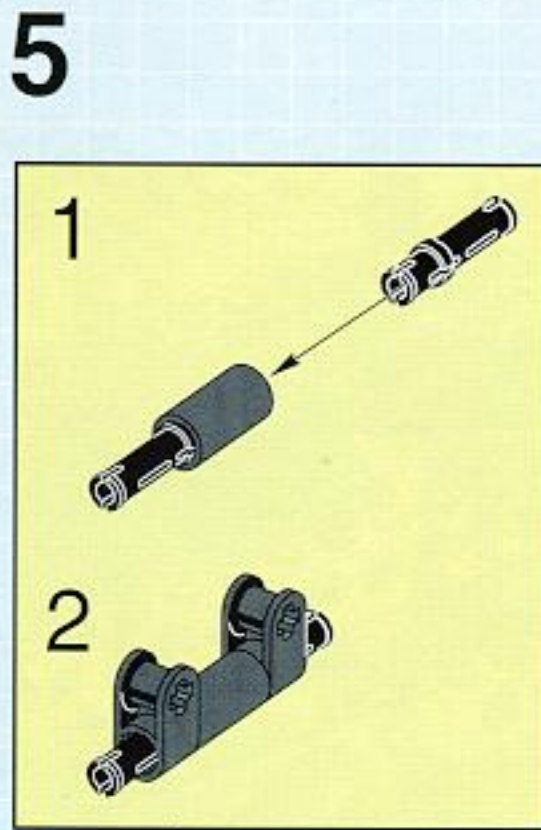
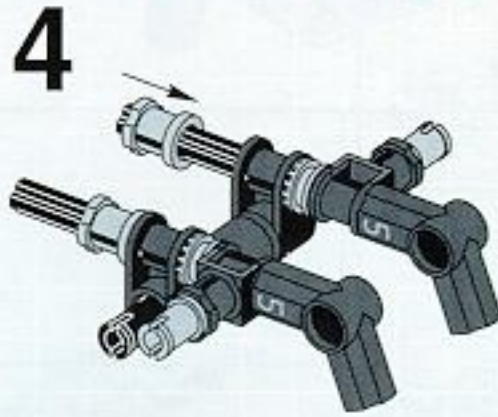
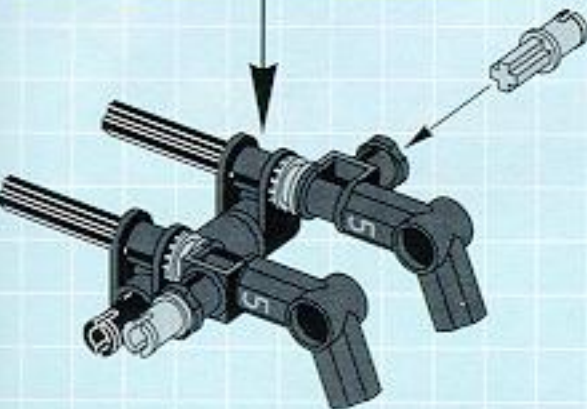
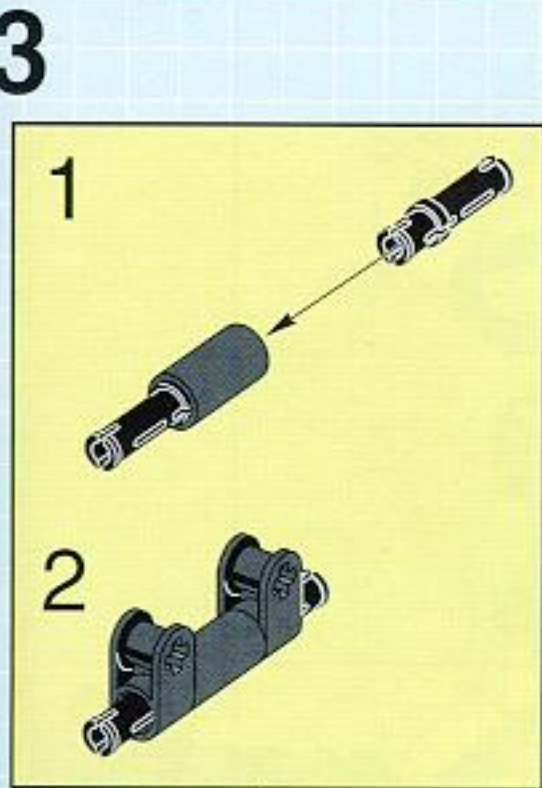
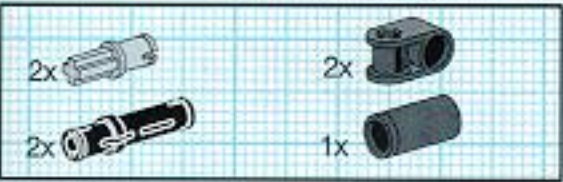
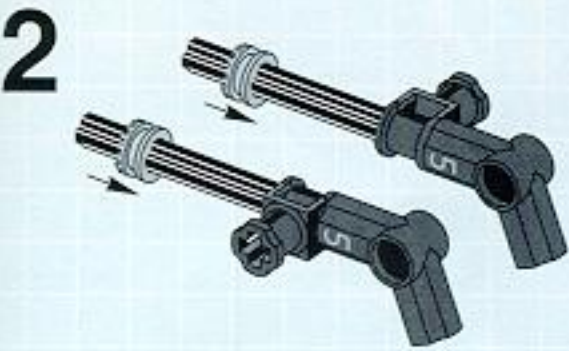
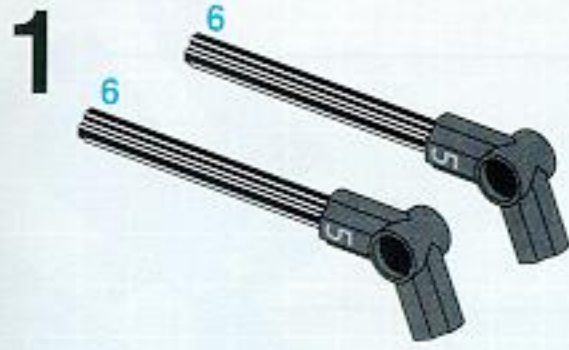


88

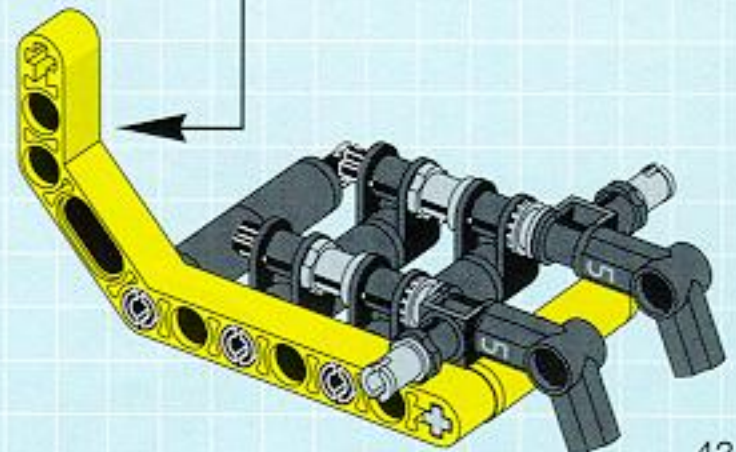
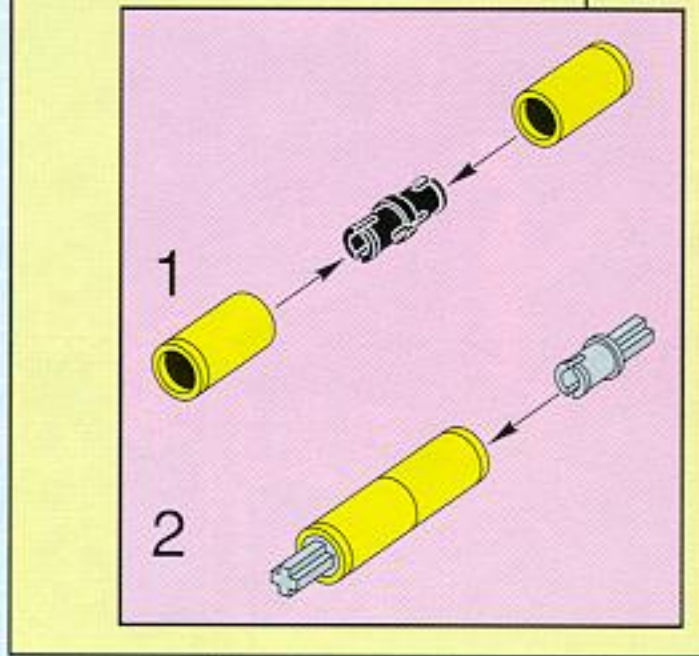
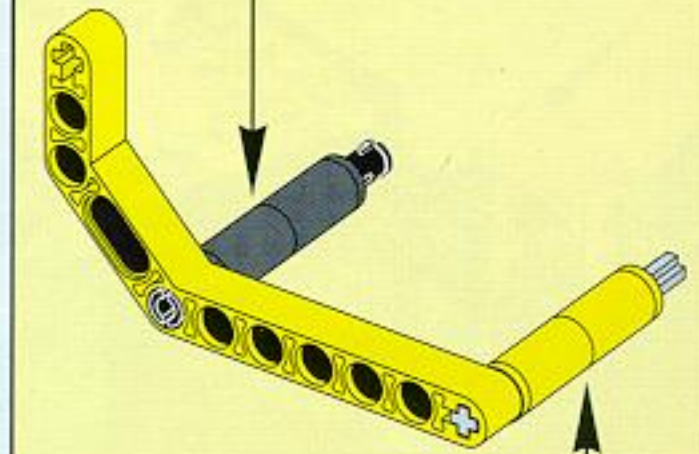
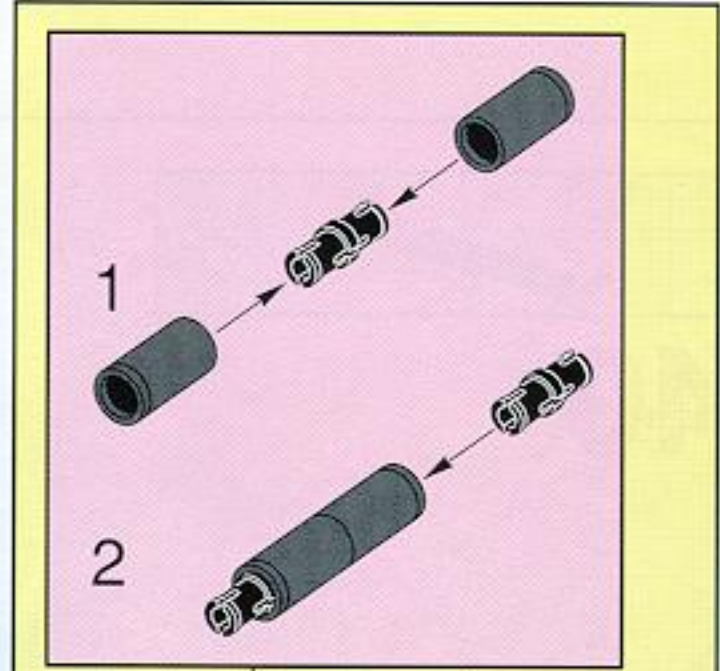


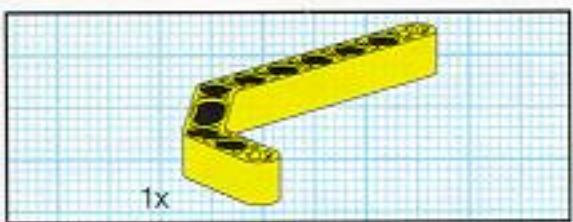
39



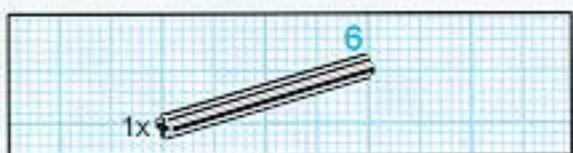
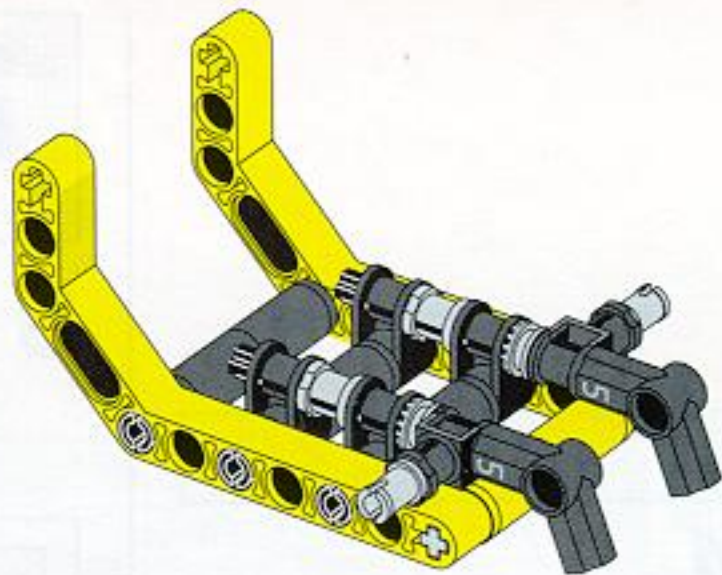


**6**

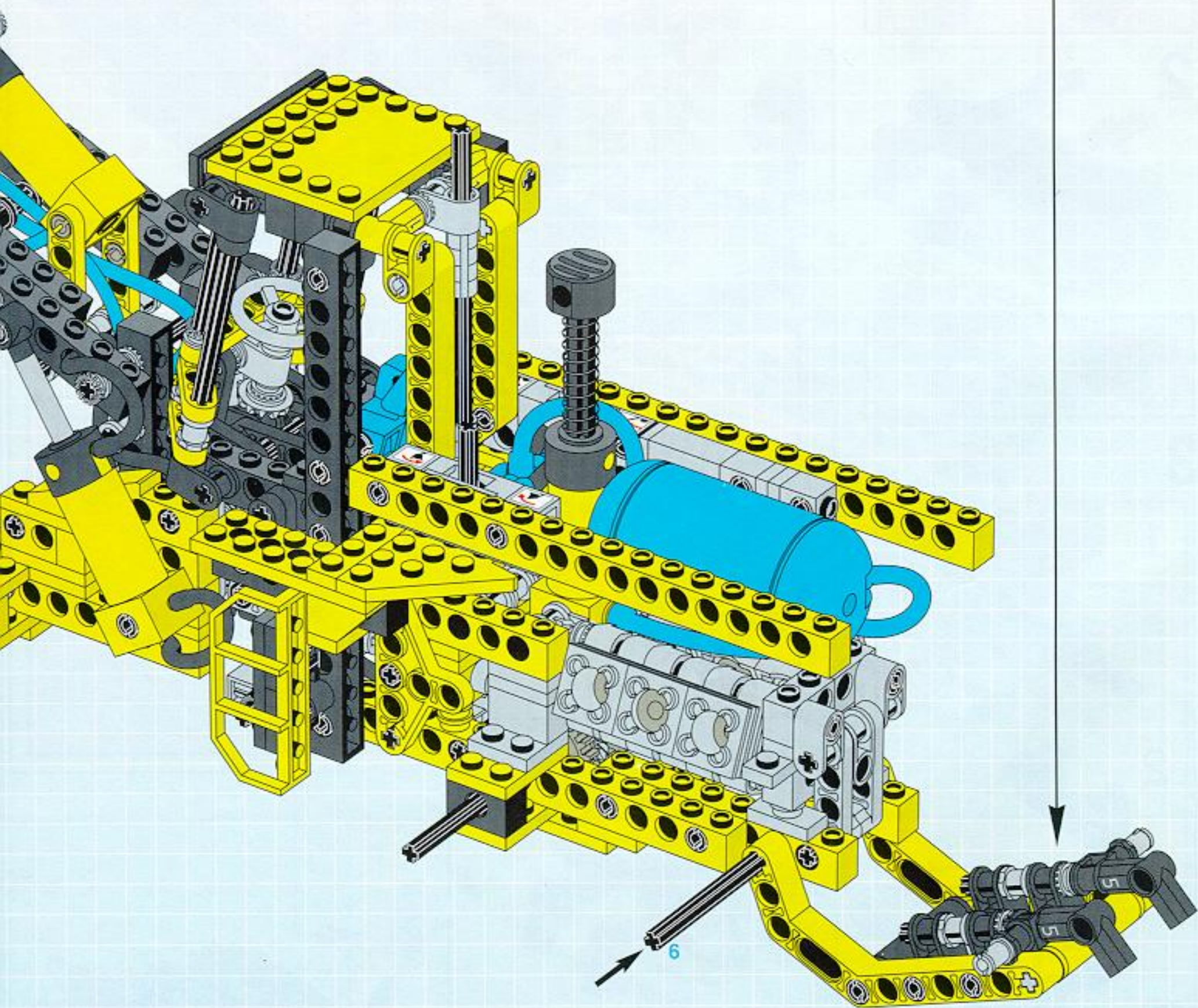


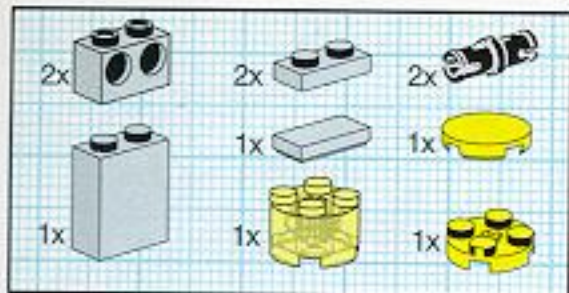


7

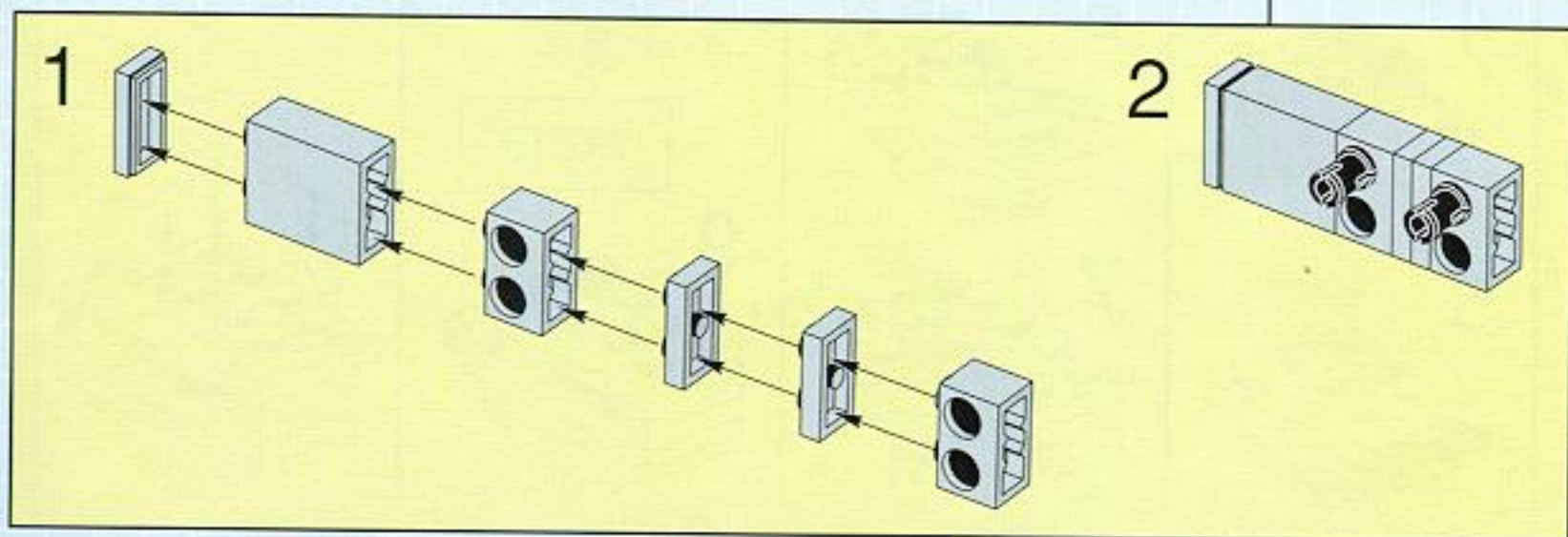
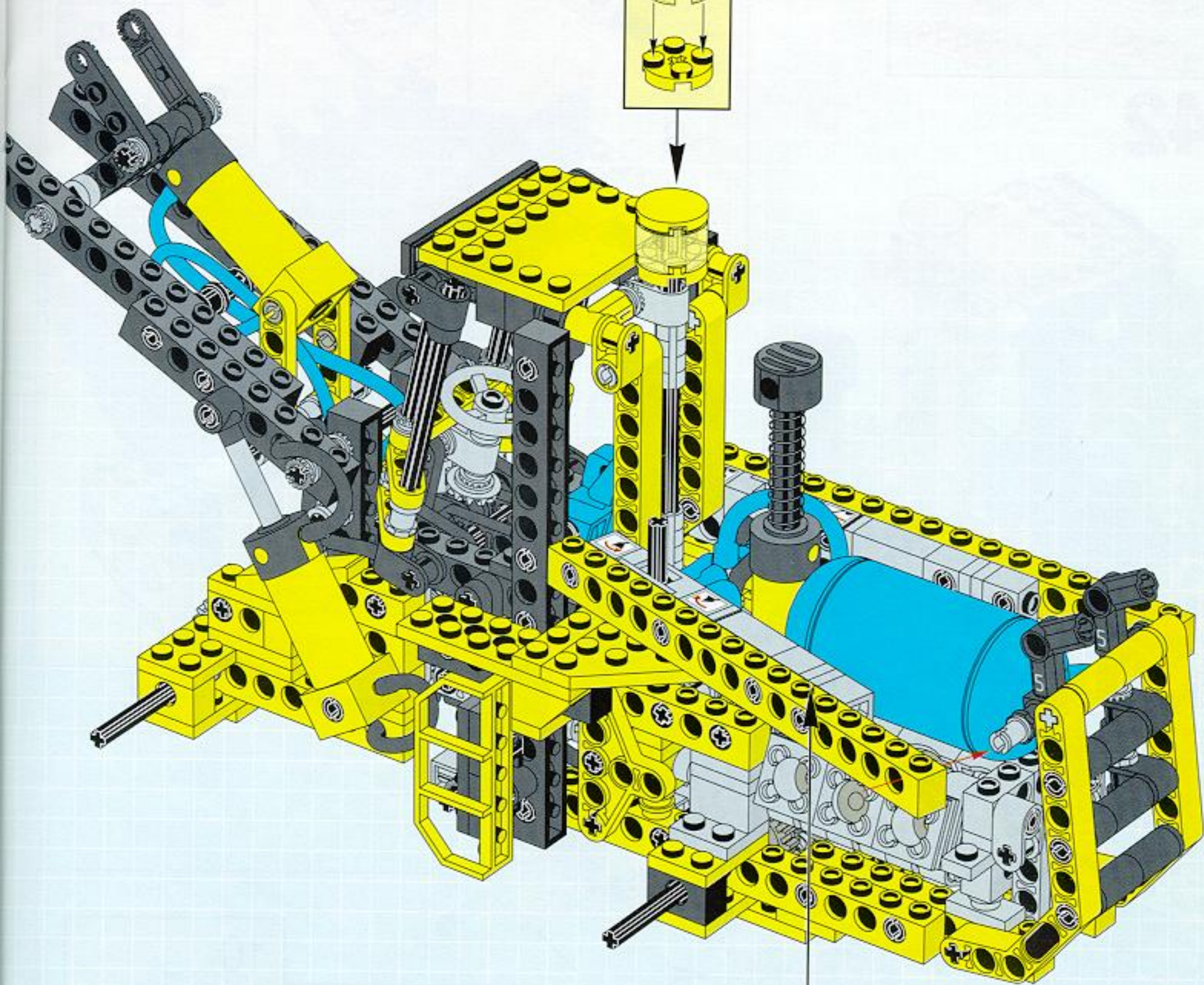
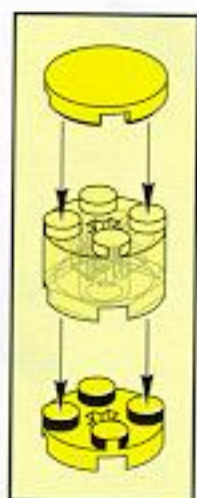


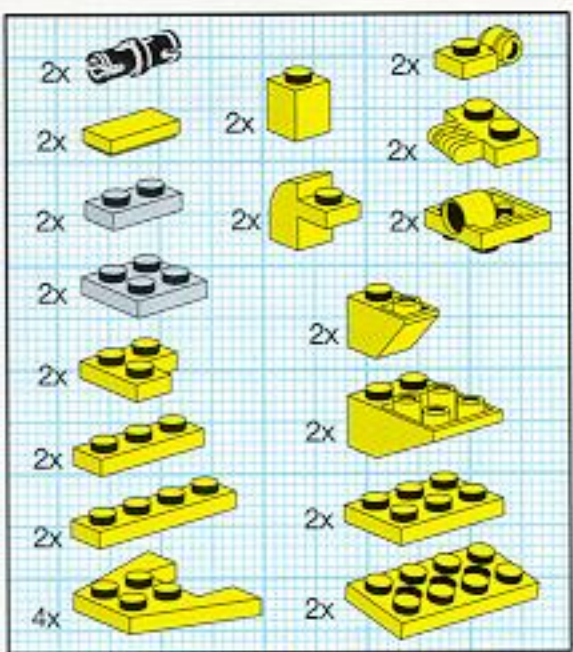
40



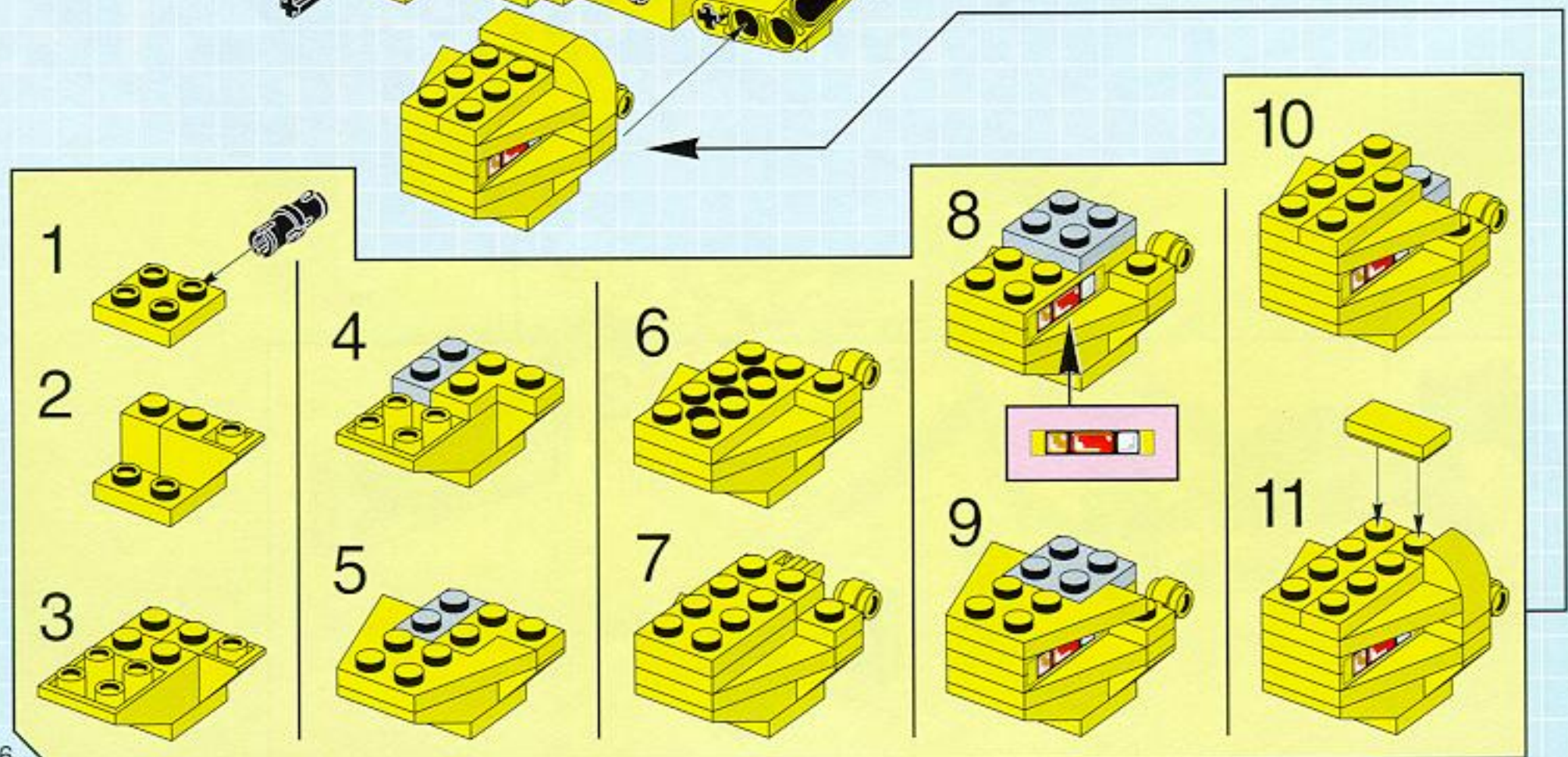
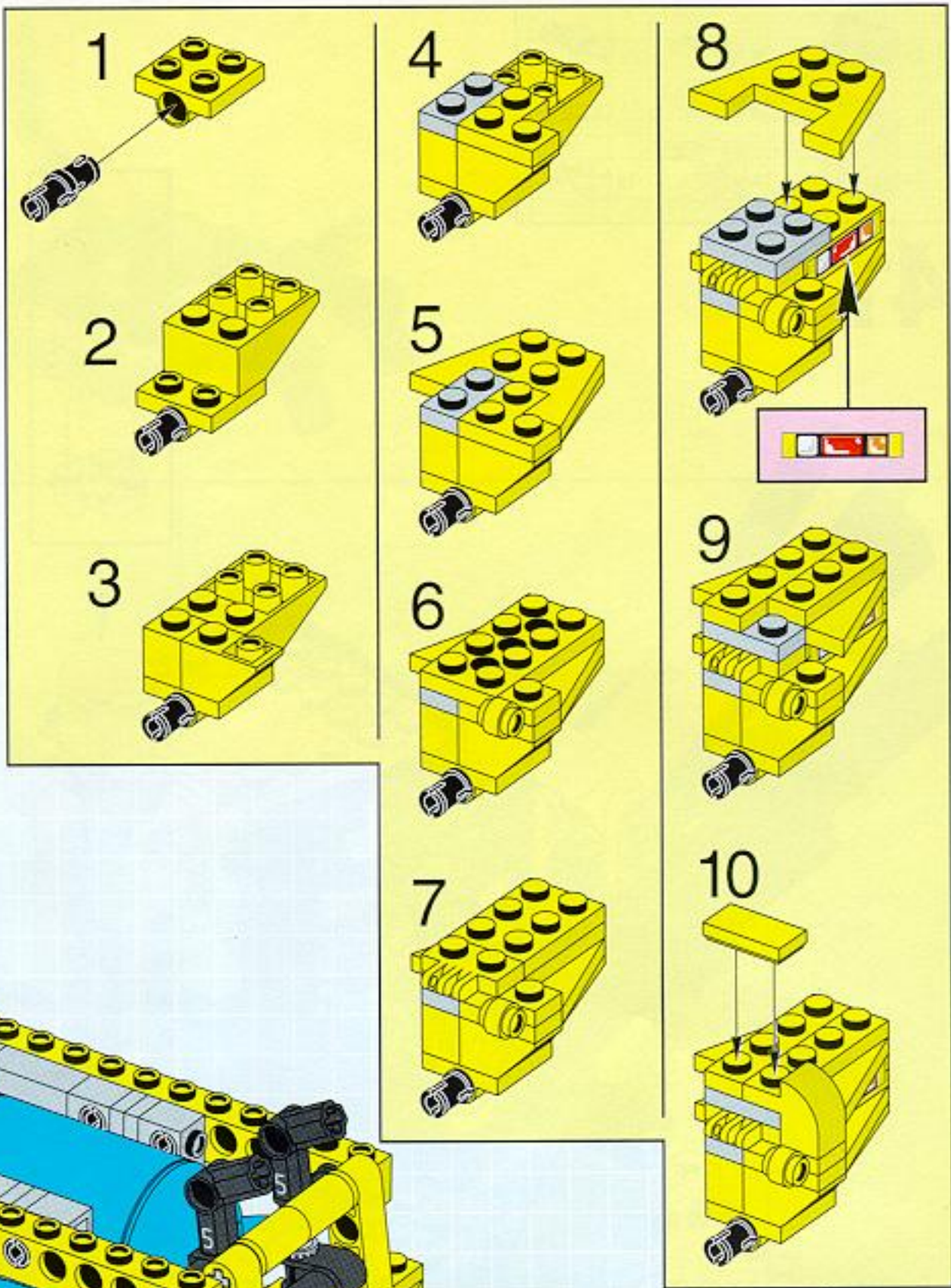
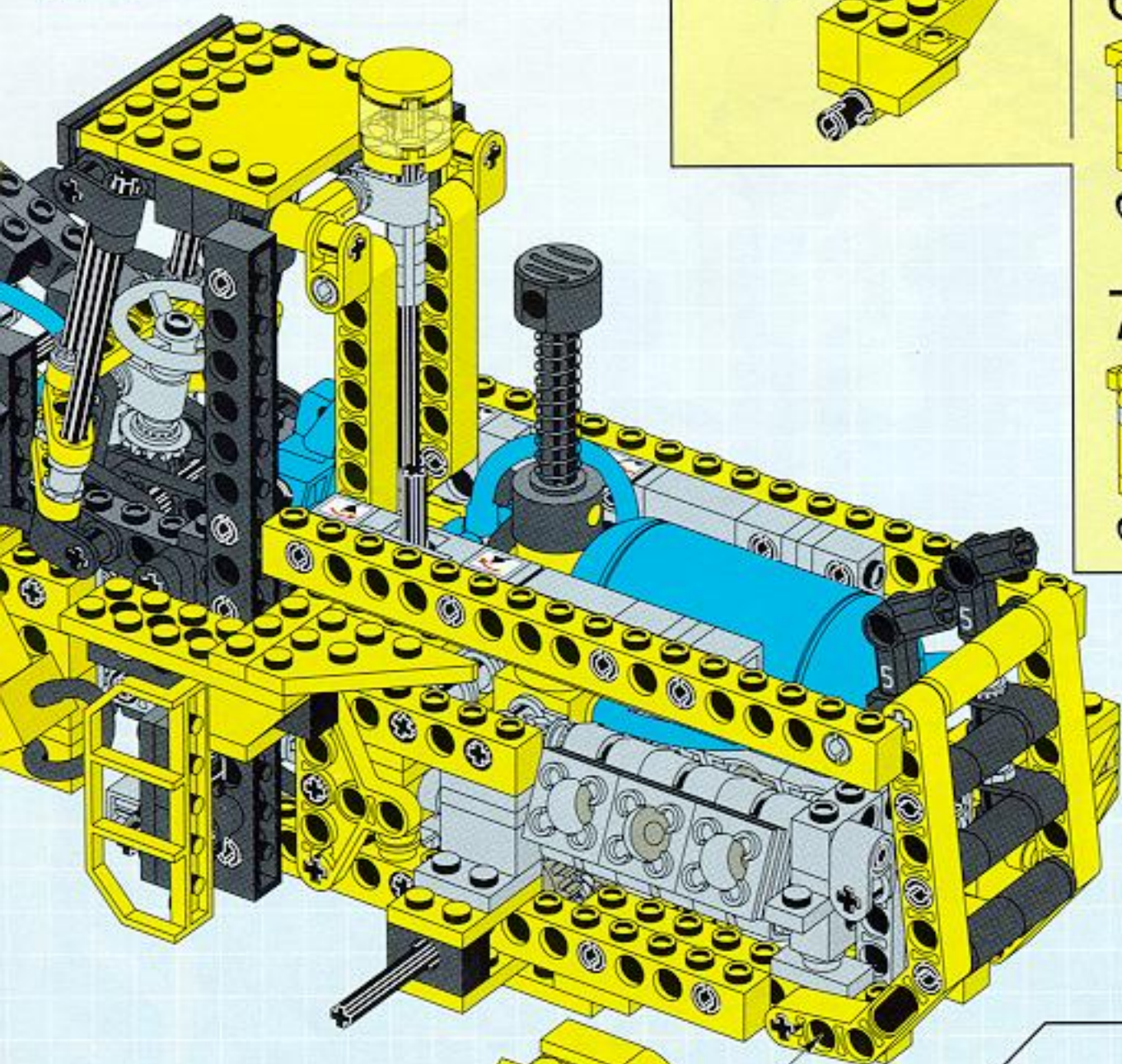


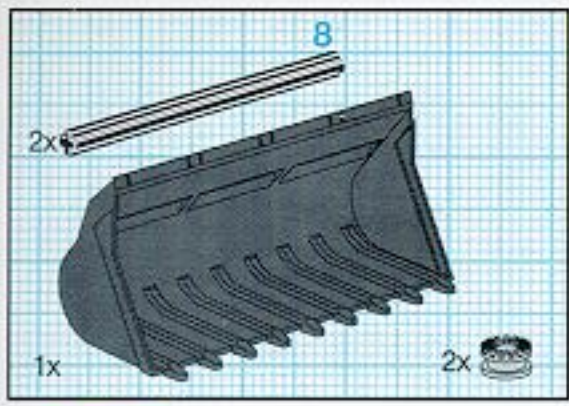
# 41



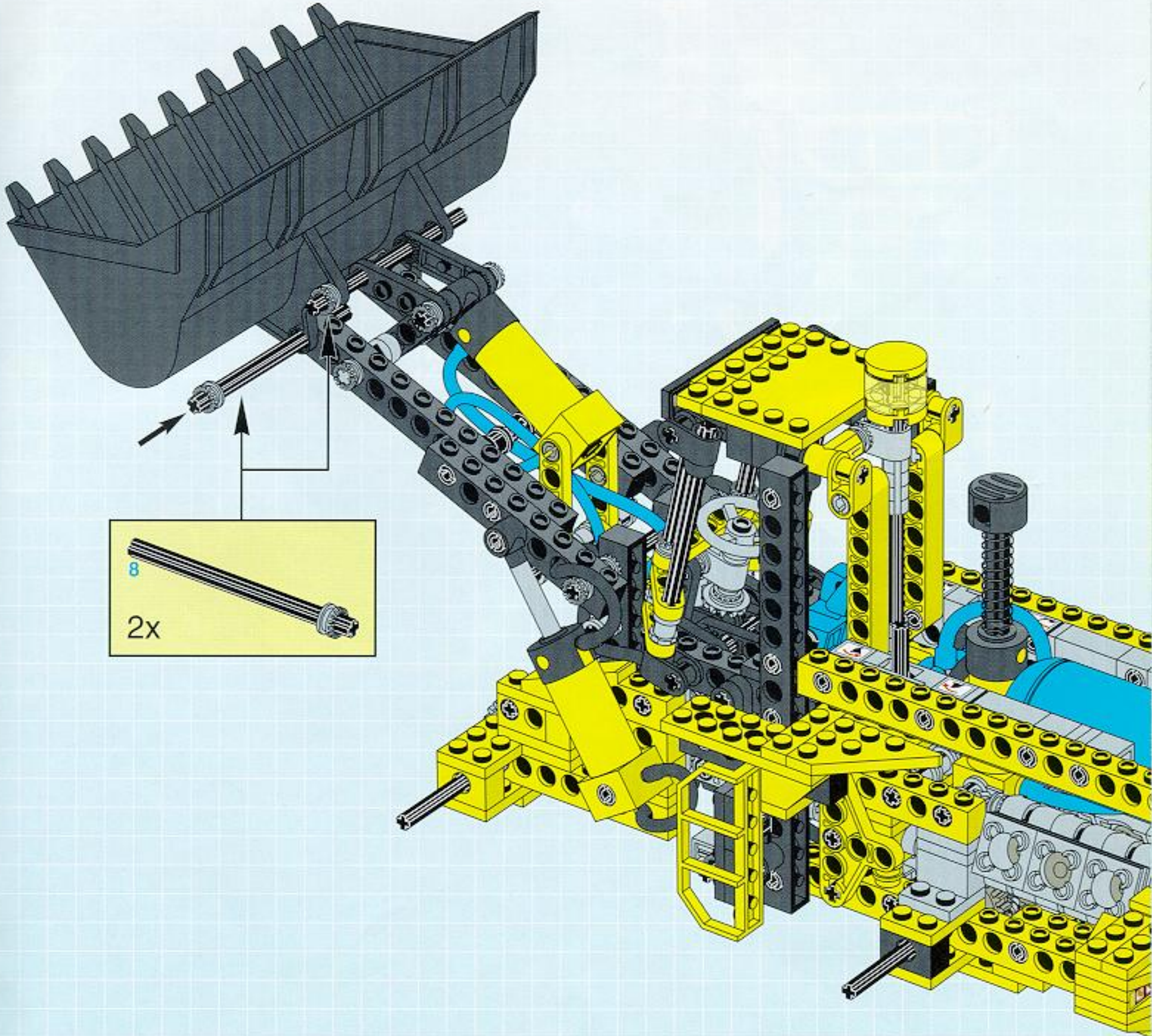


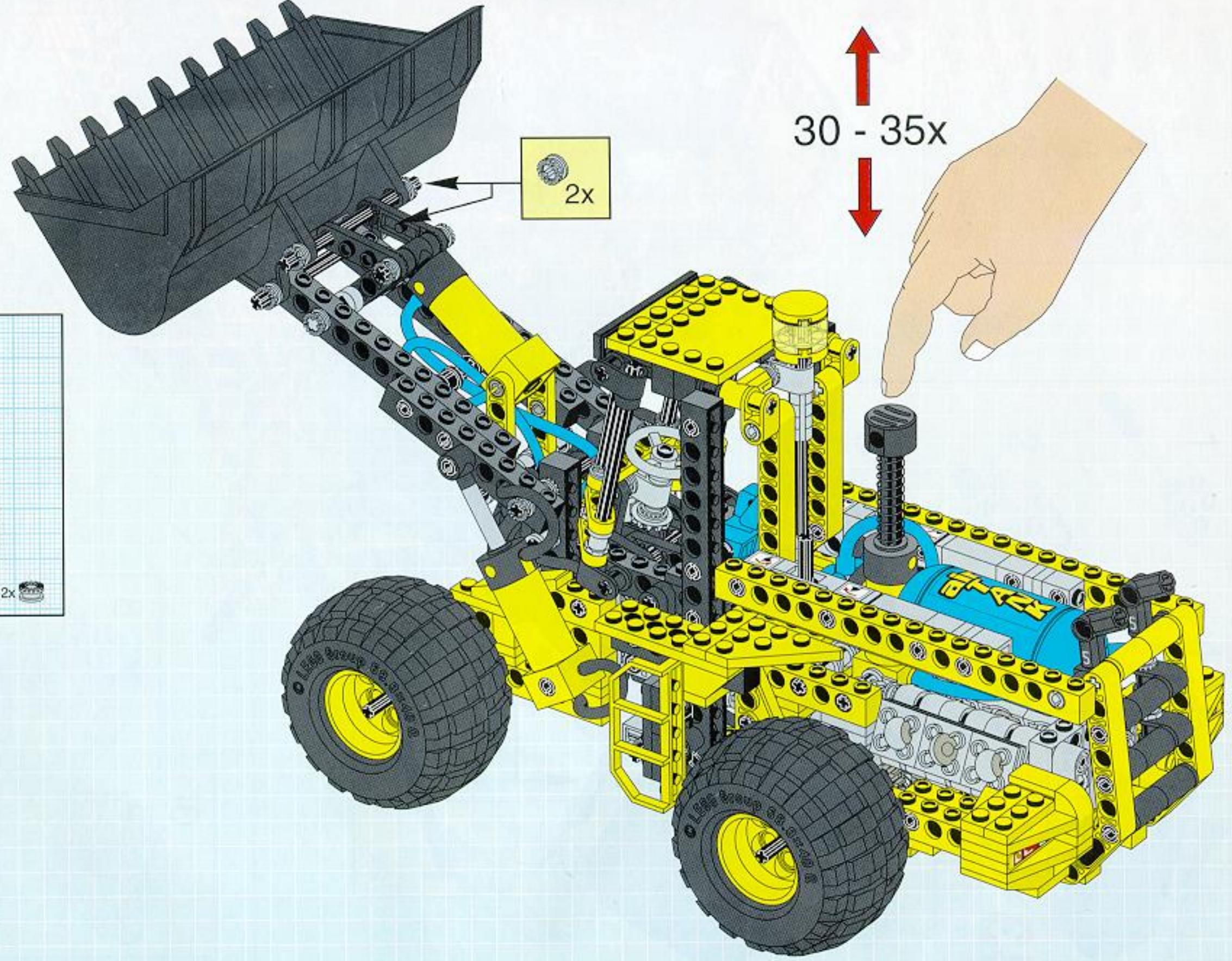
**42**





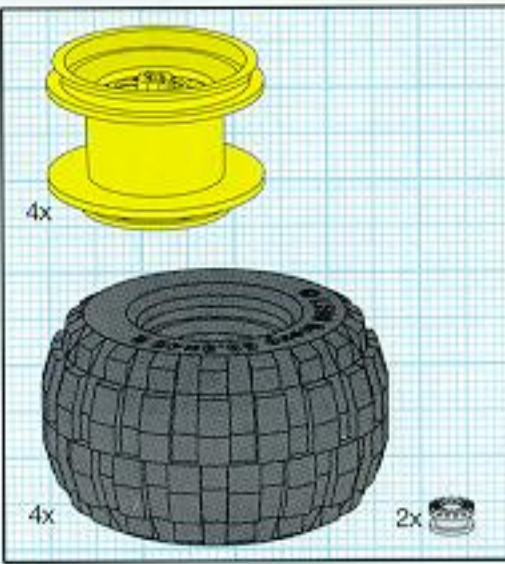
43





30 - 35x

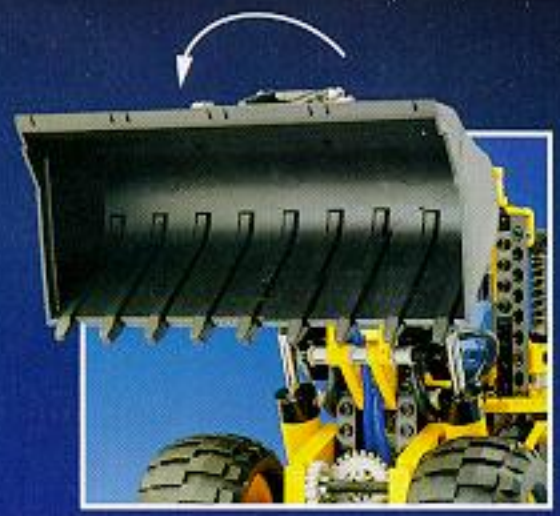
2x

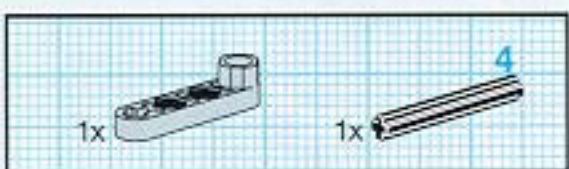
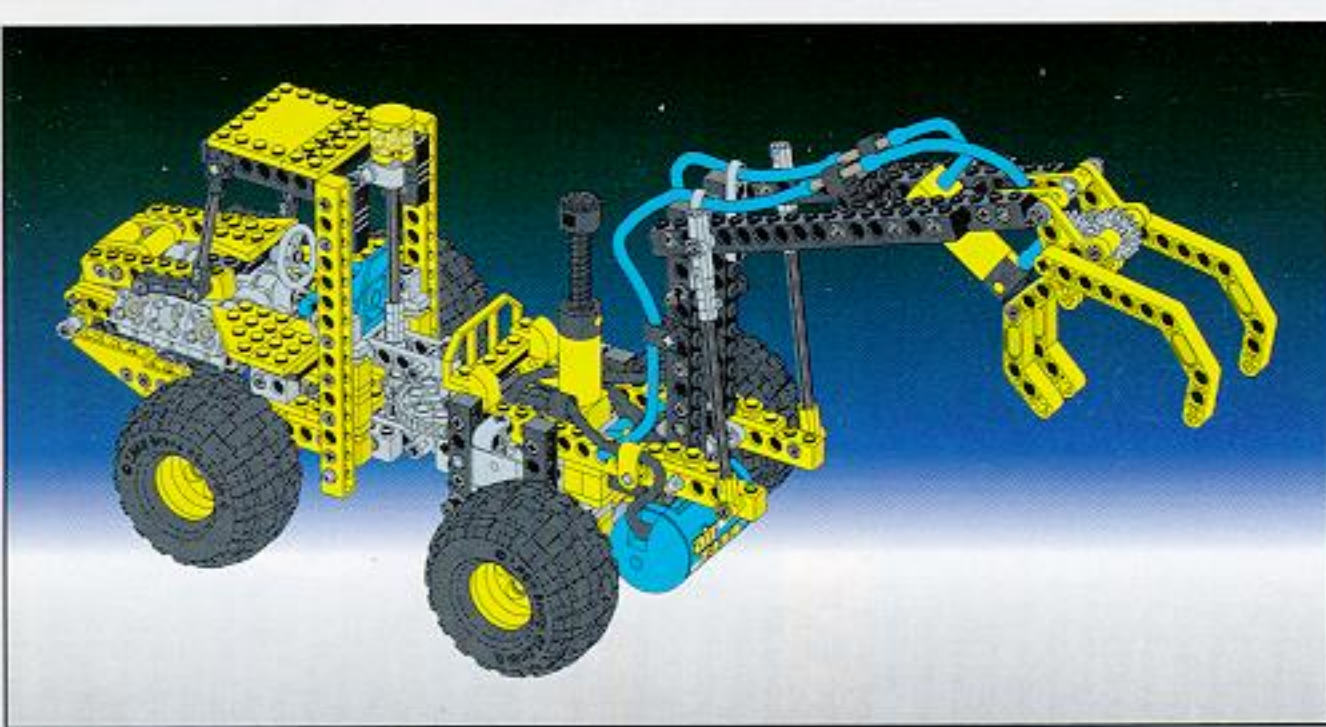


44



Pneumatic

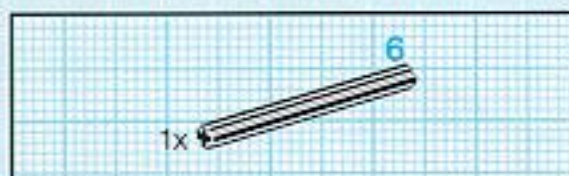
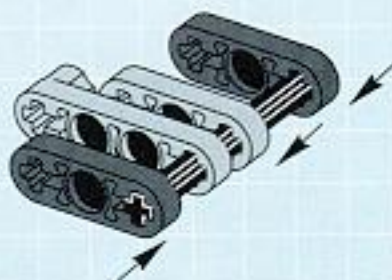




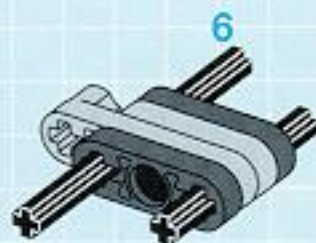
1



2

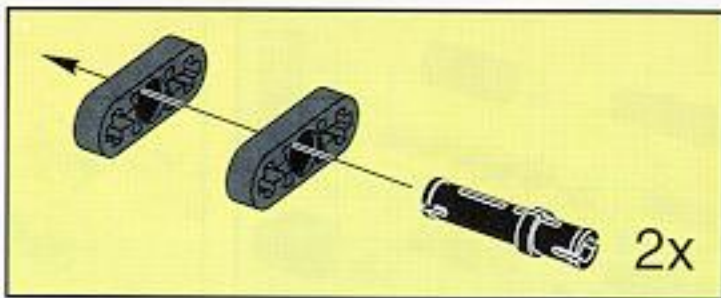
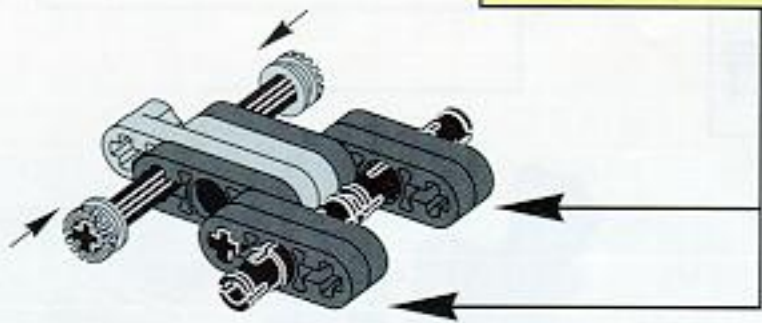


3

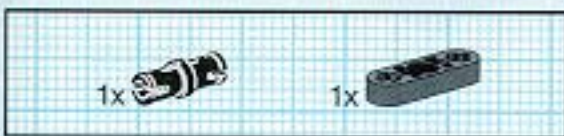
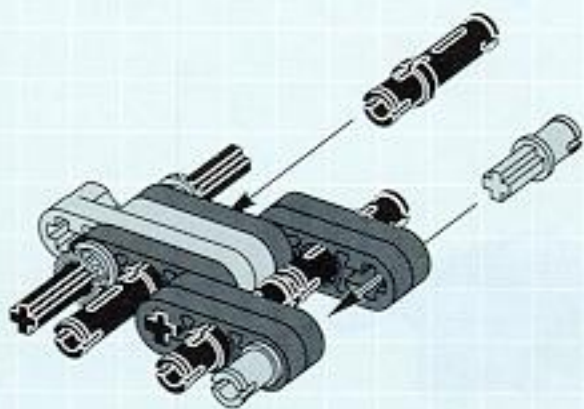




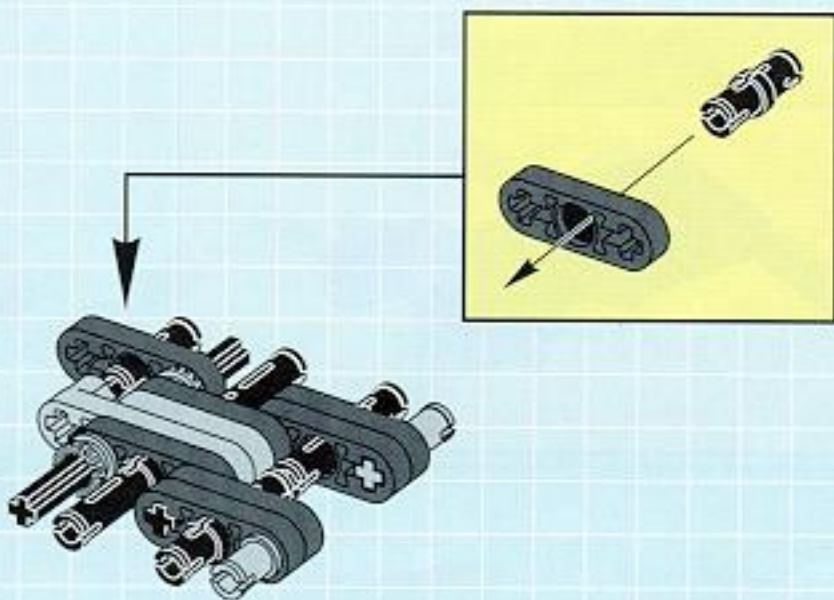
4



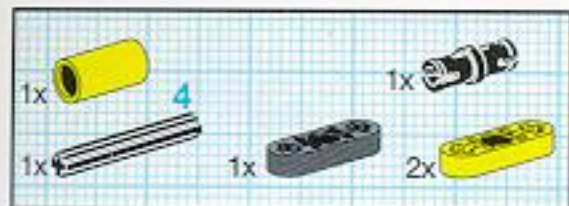
5



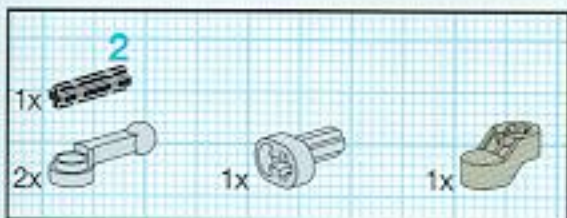
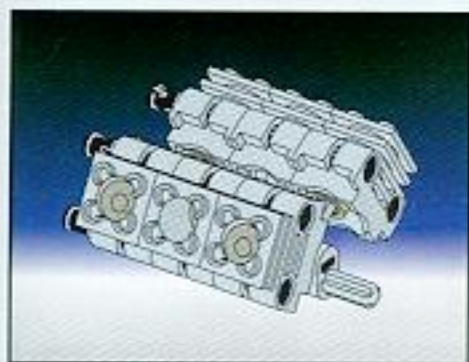
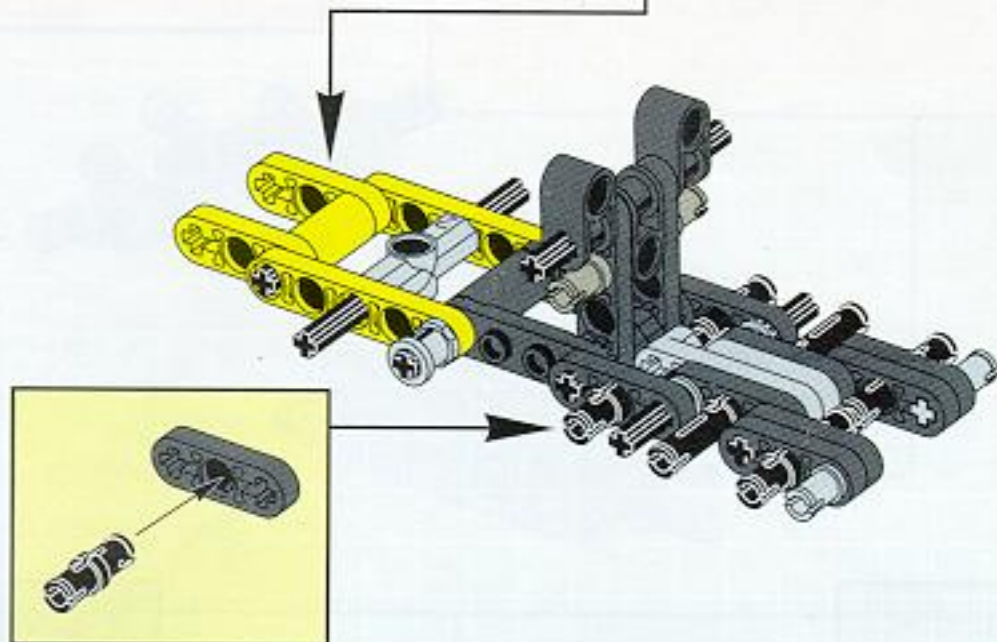
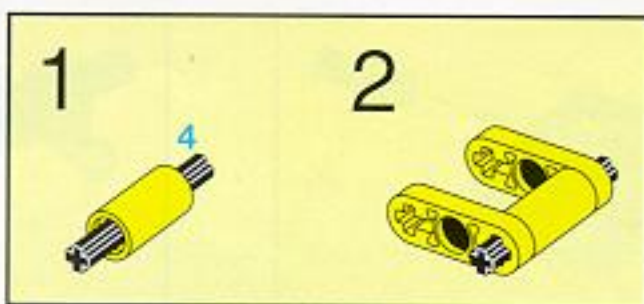
6



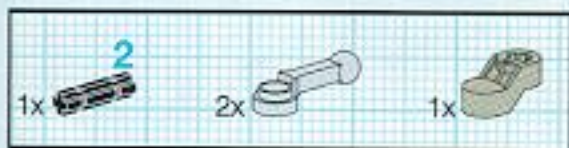
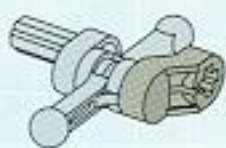
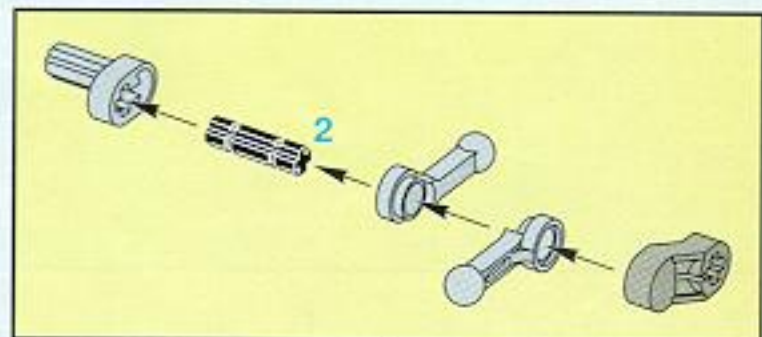




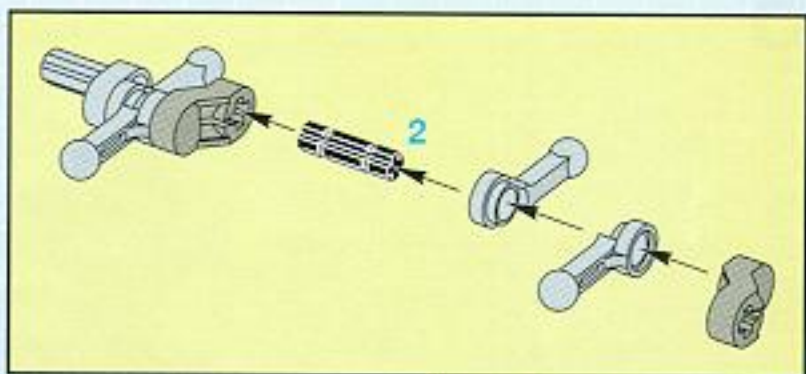
8

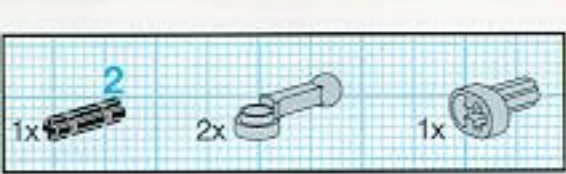


1

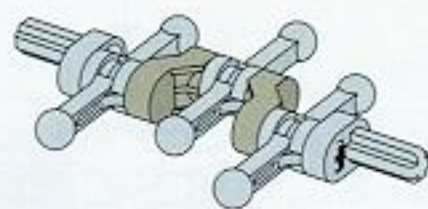
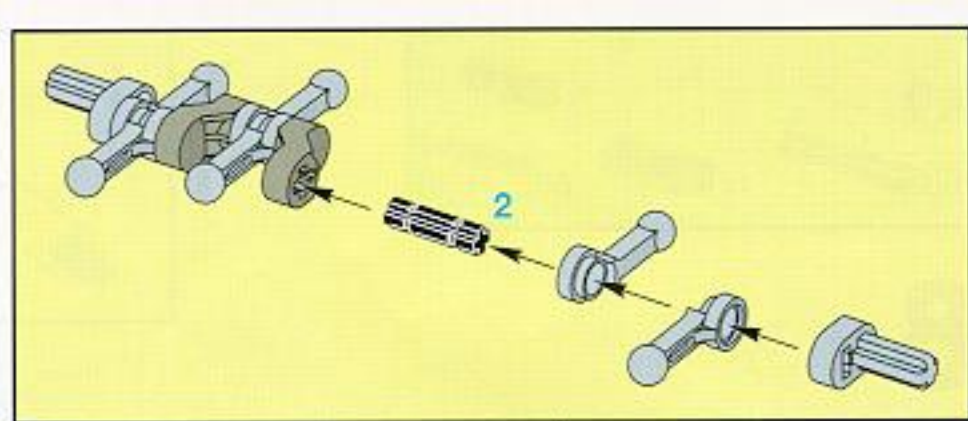


2

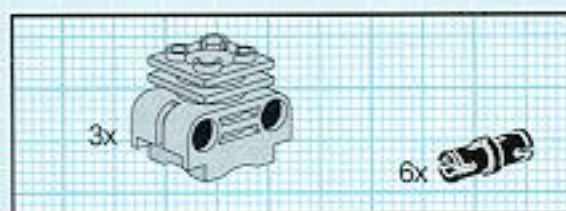
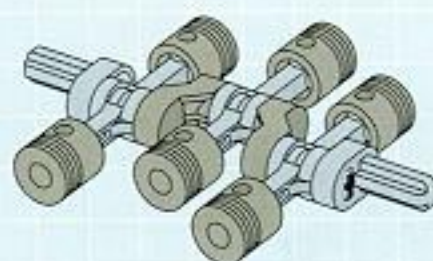
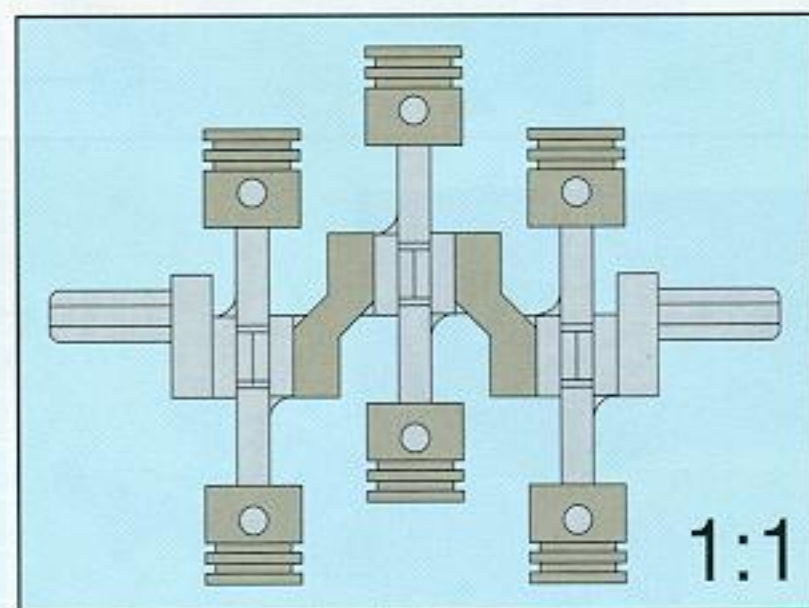




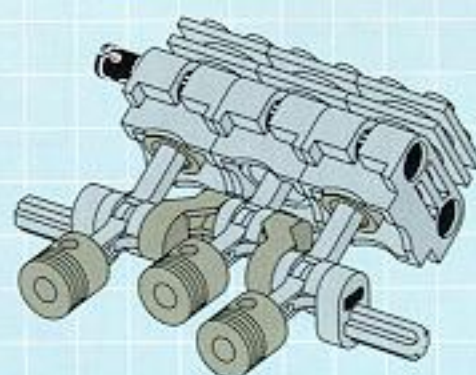
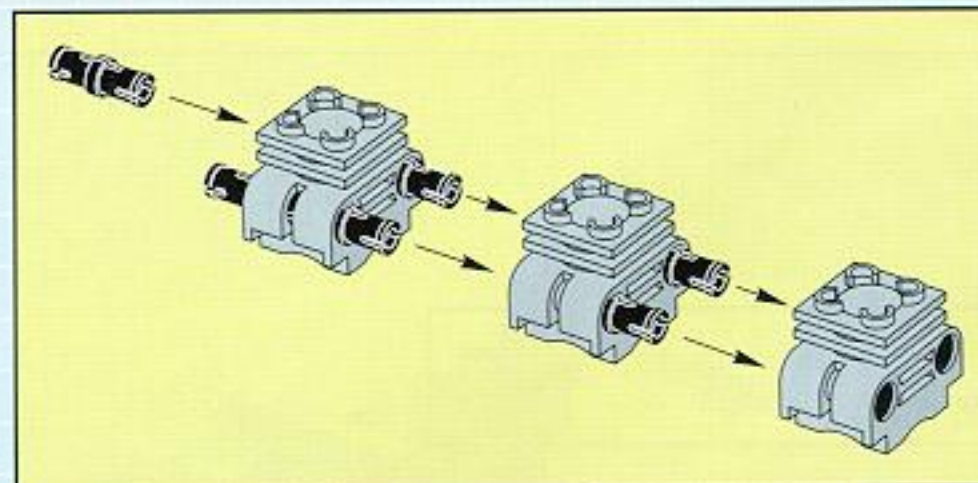
3

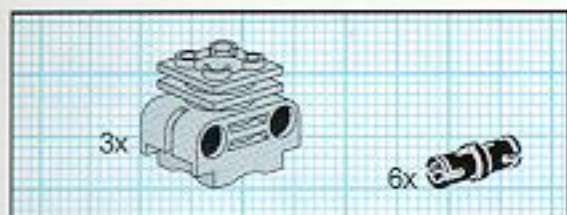


4

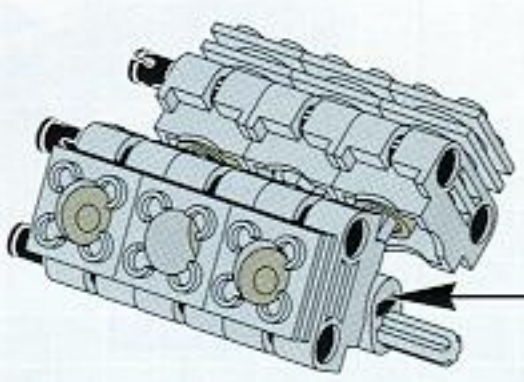
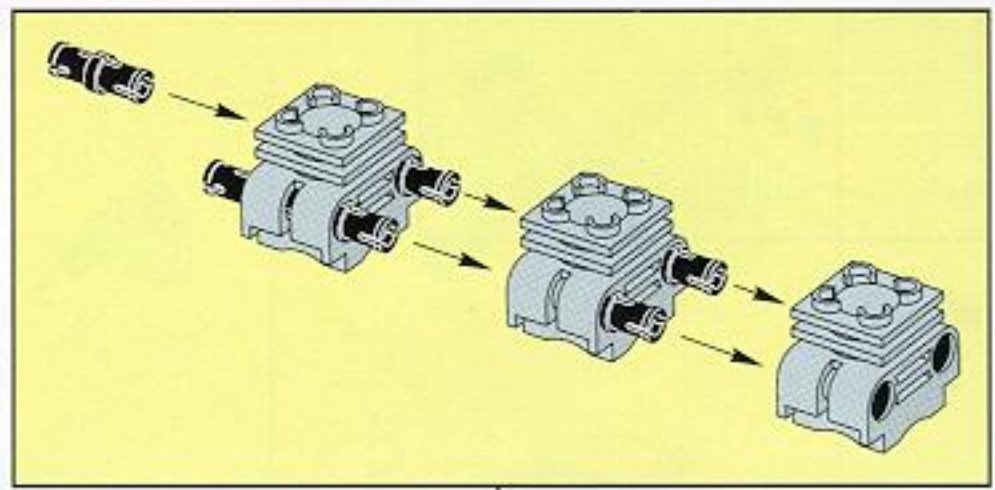


5

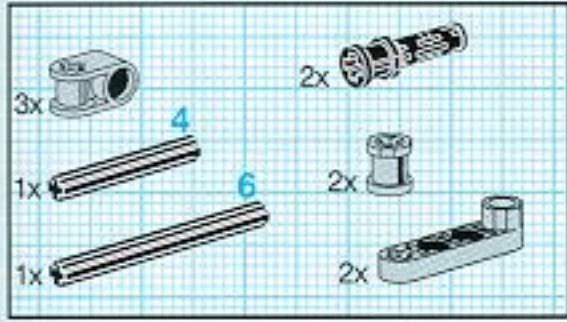
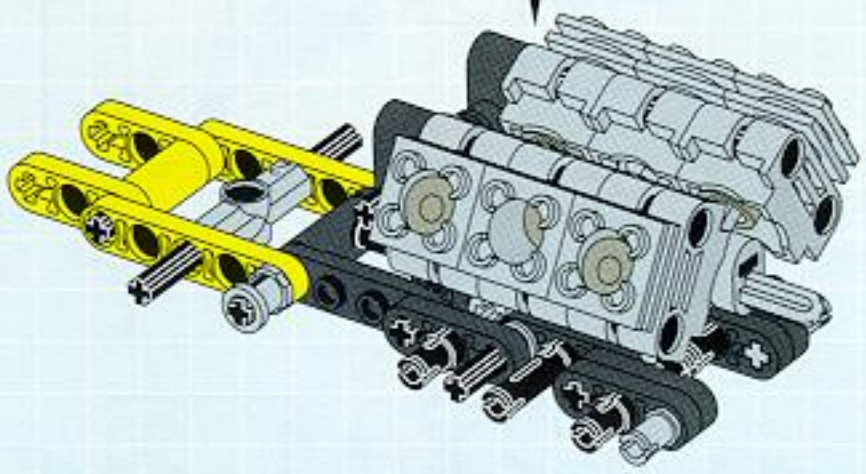




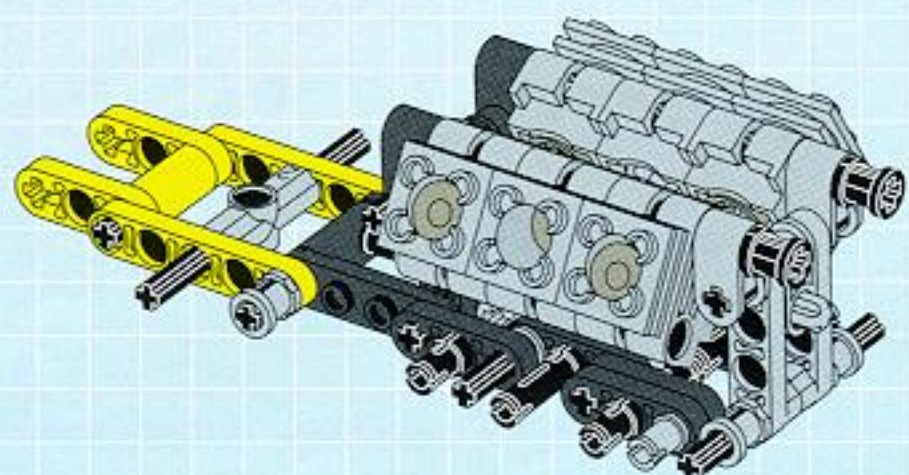
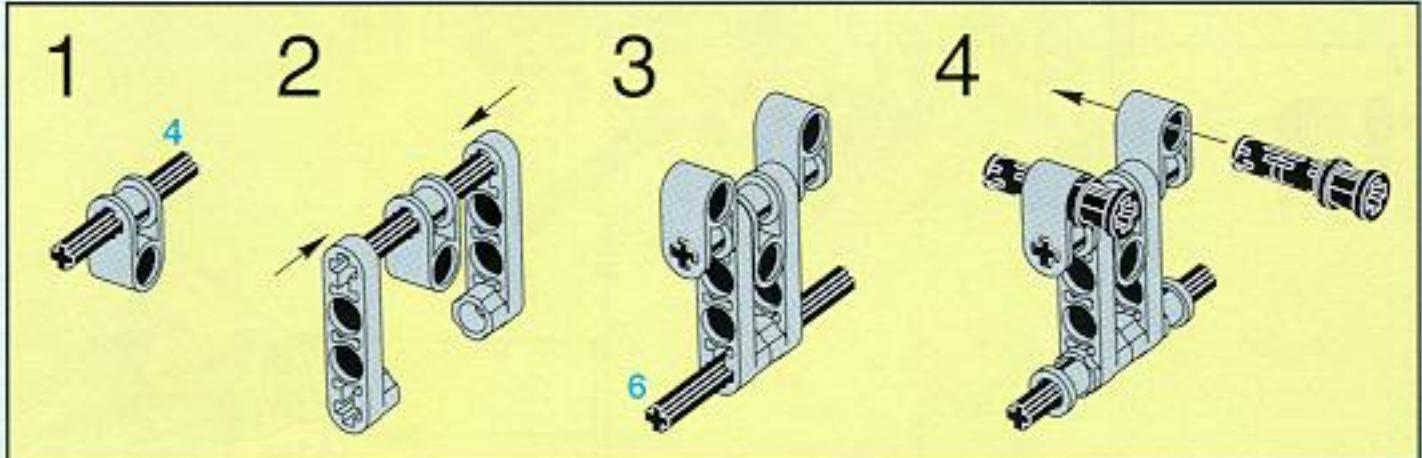
6

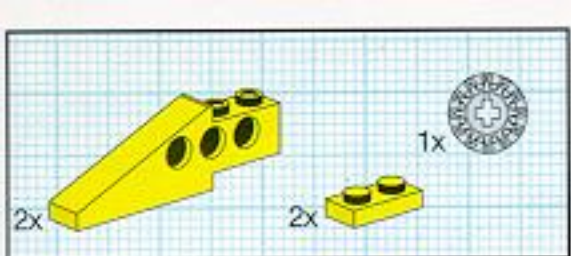


9

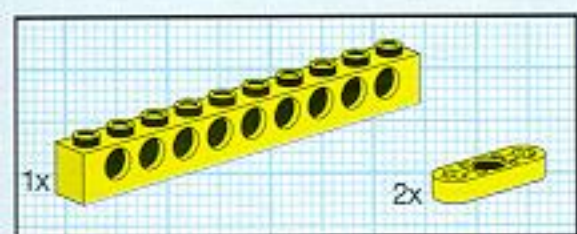
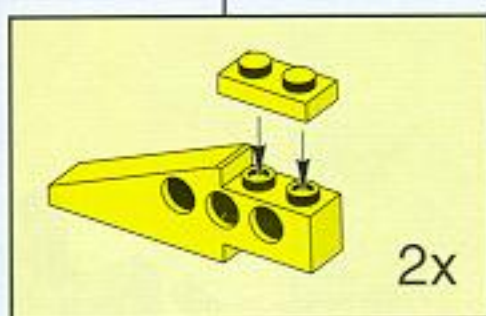
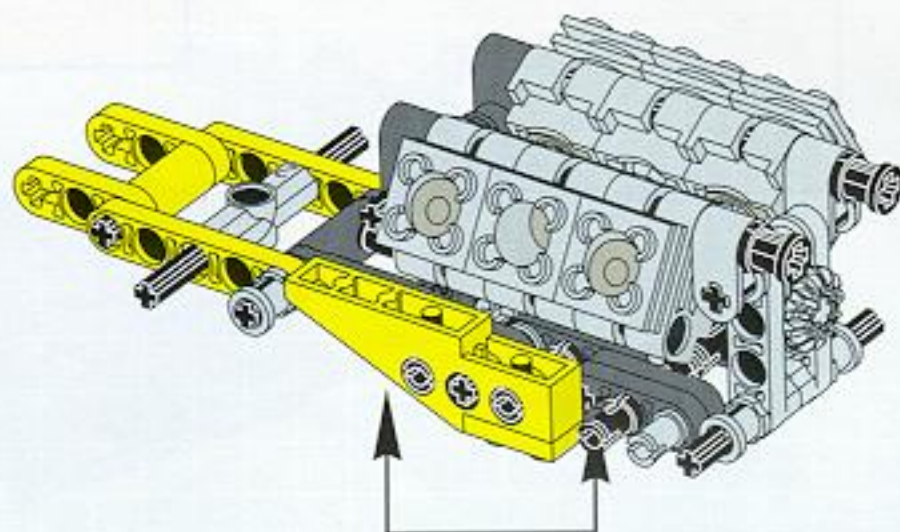


10

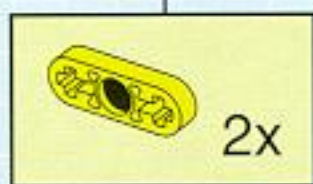
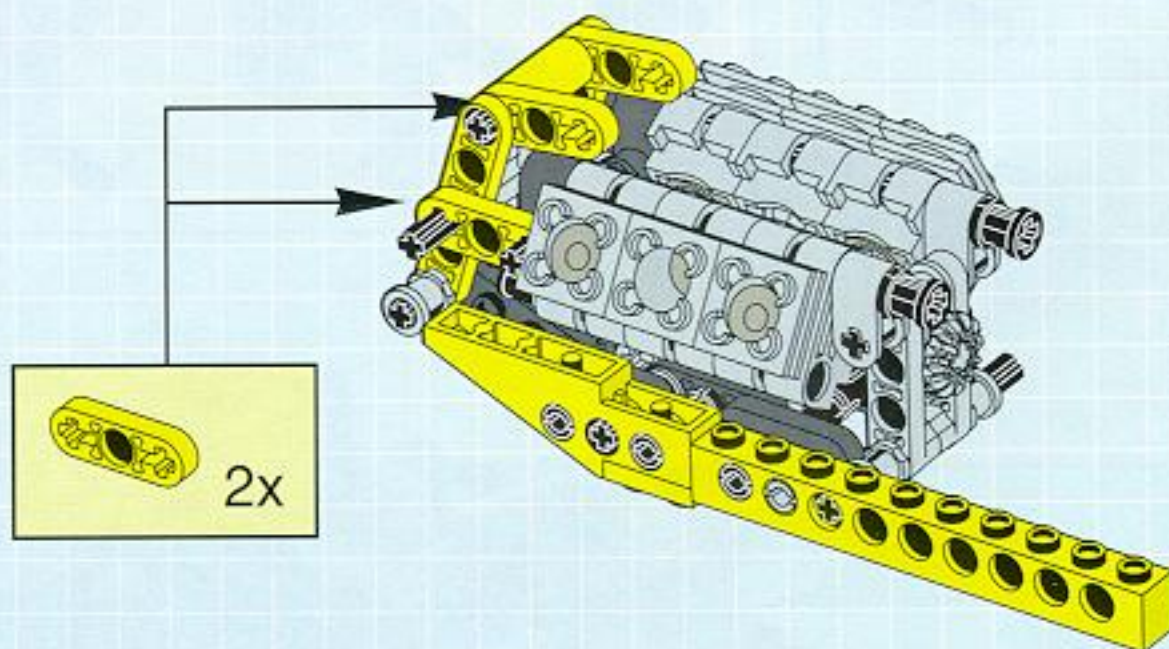




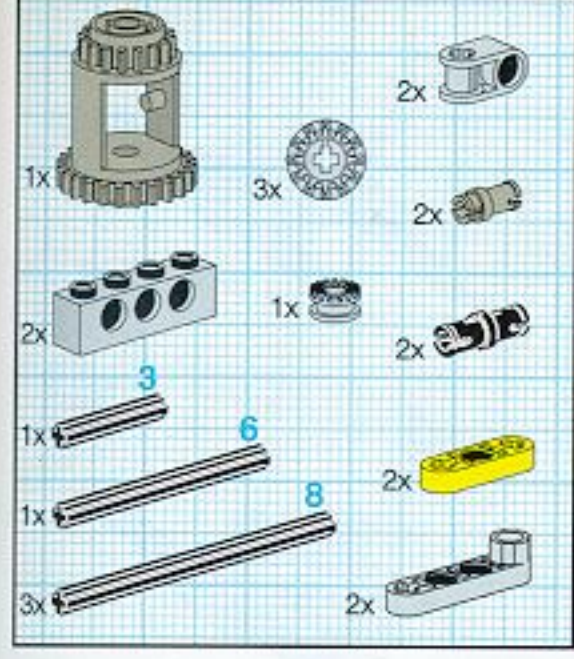
11



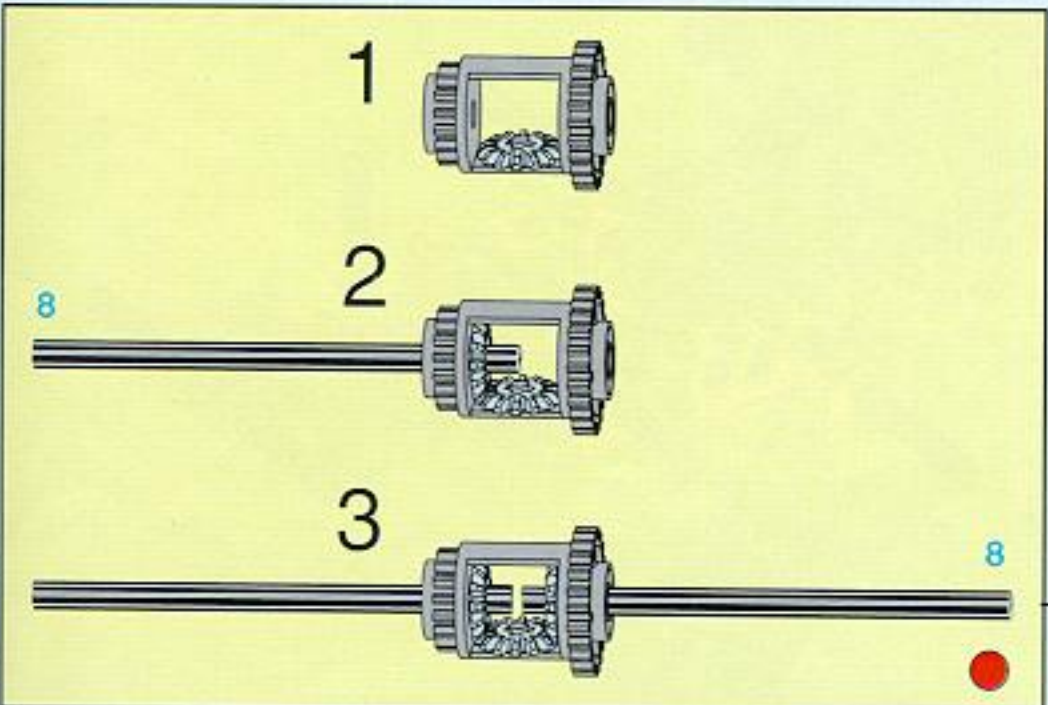
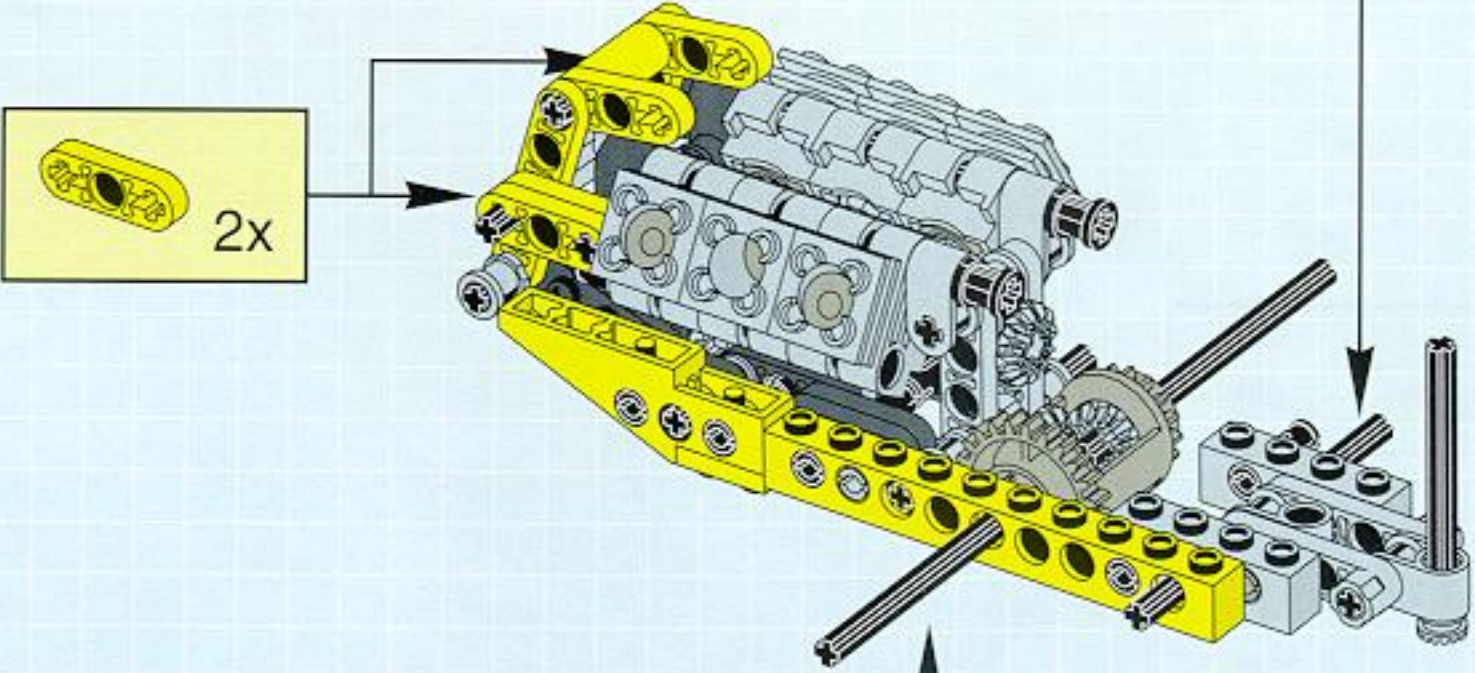
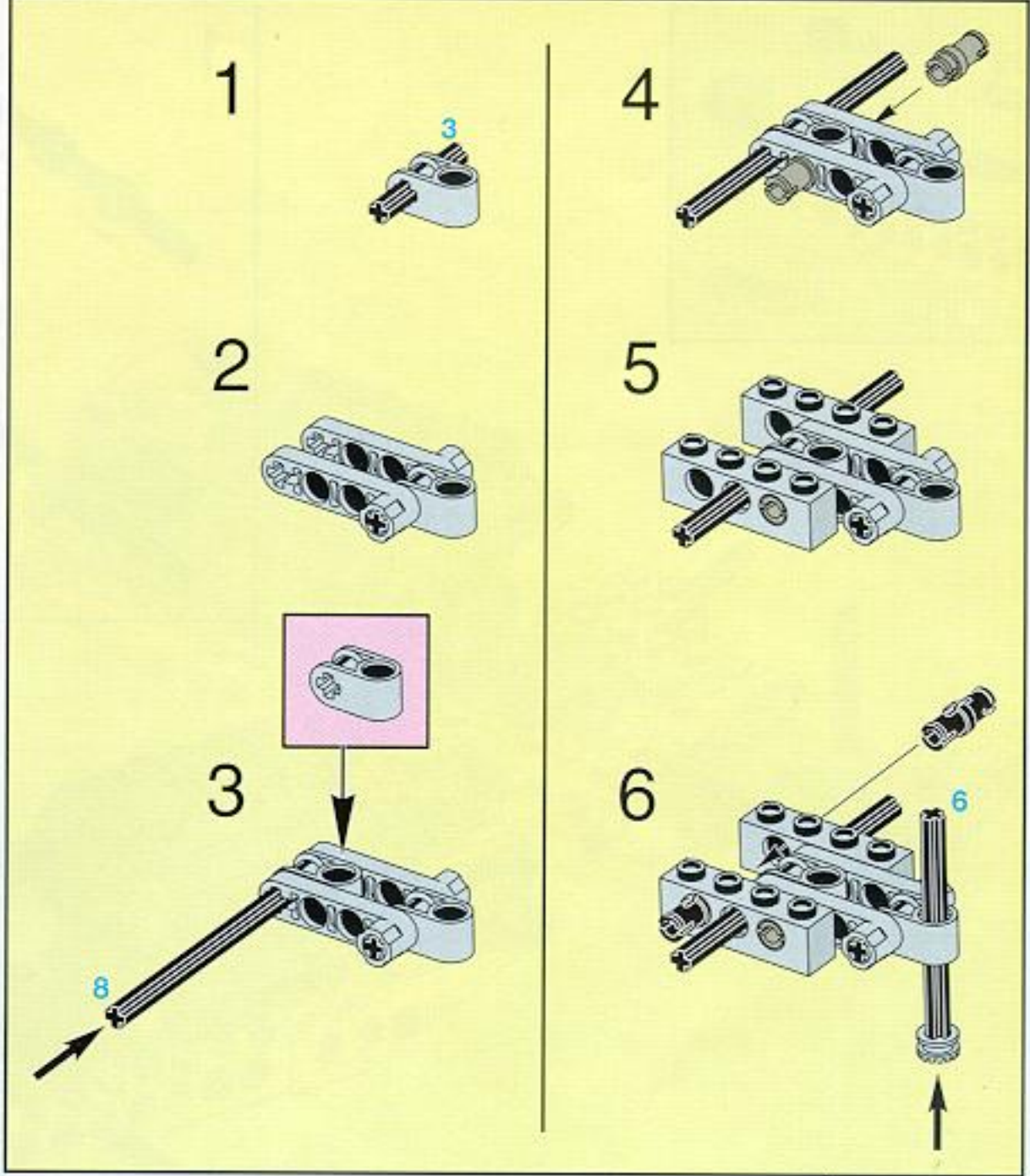
12

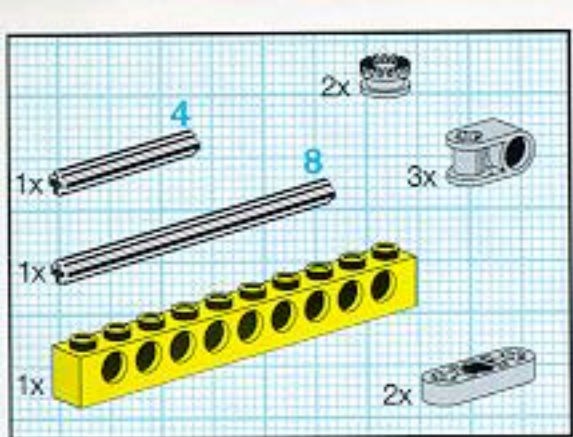




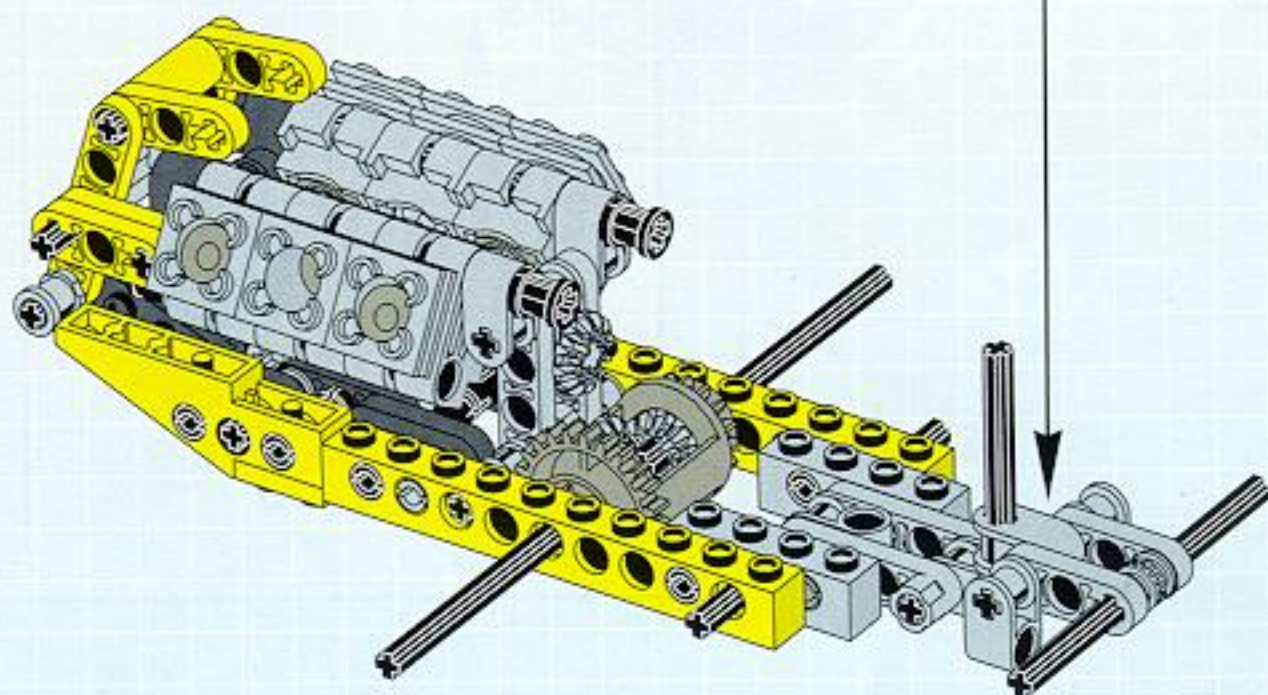
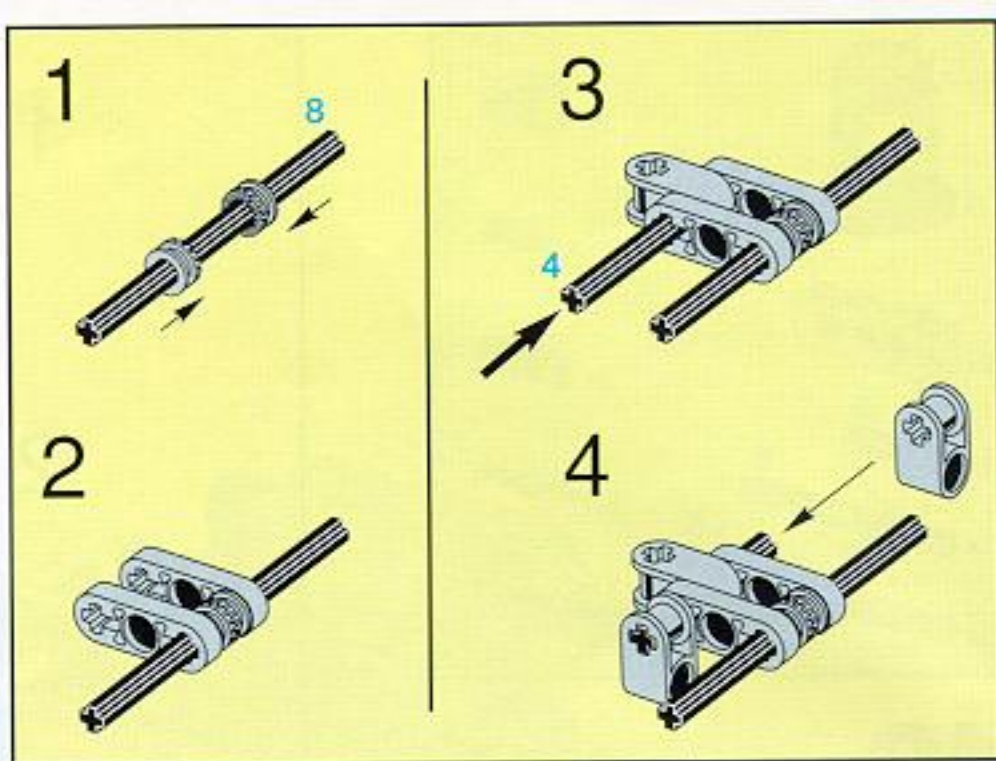


# 13

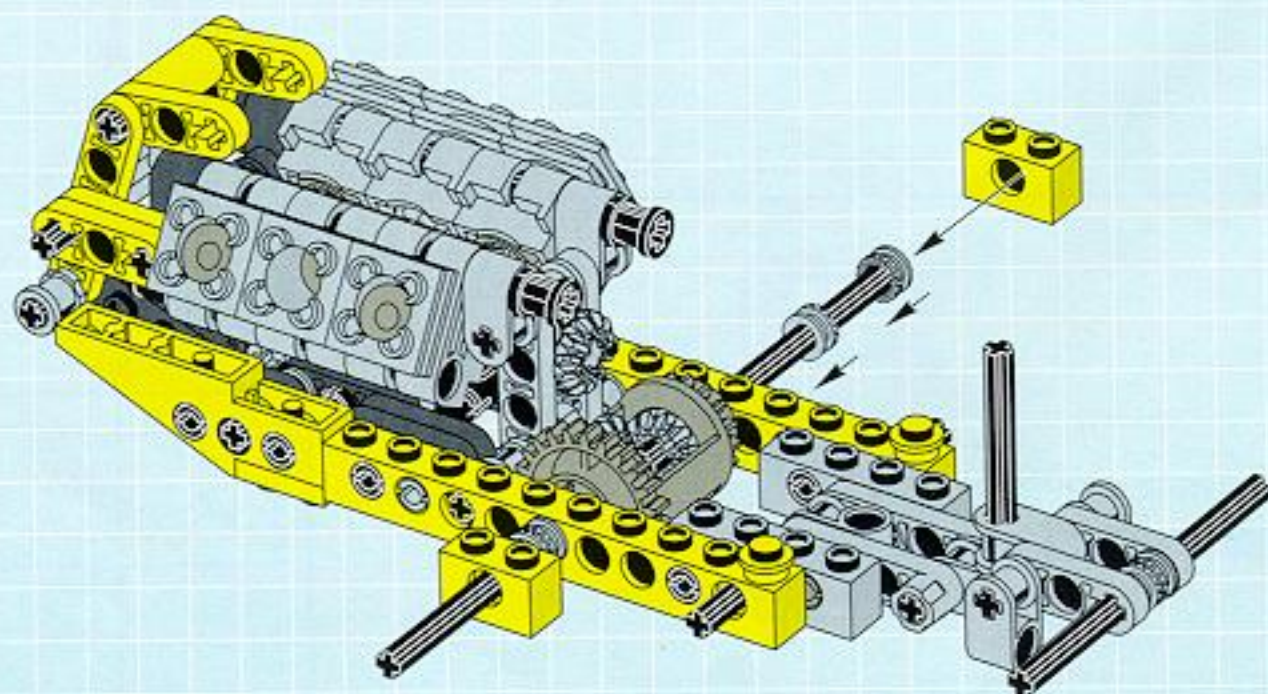


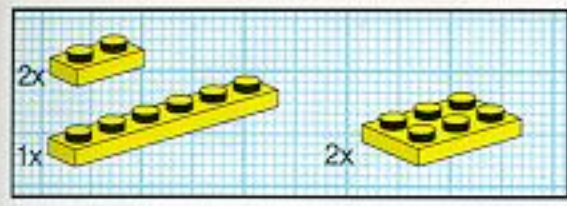


14

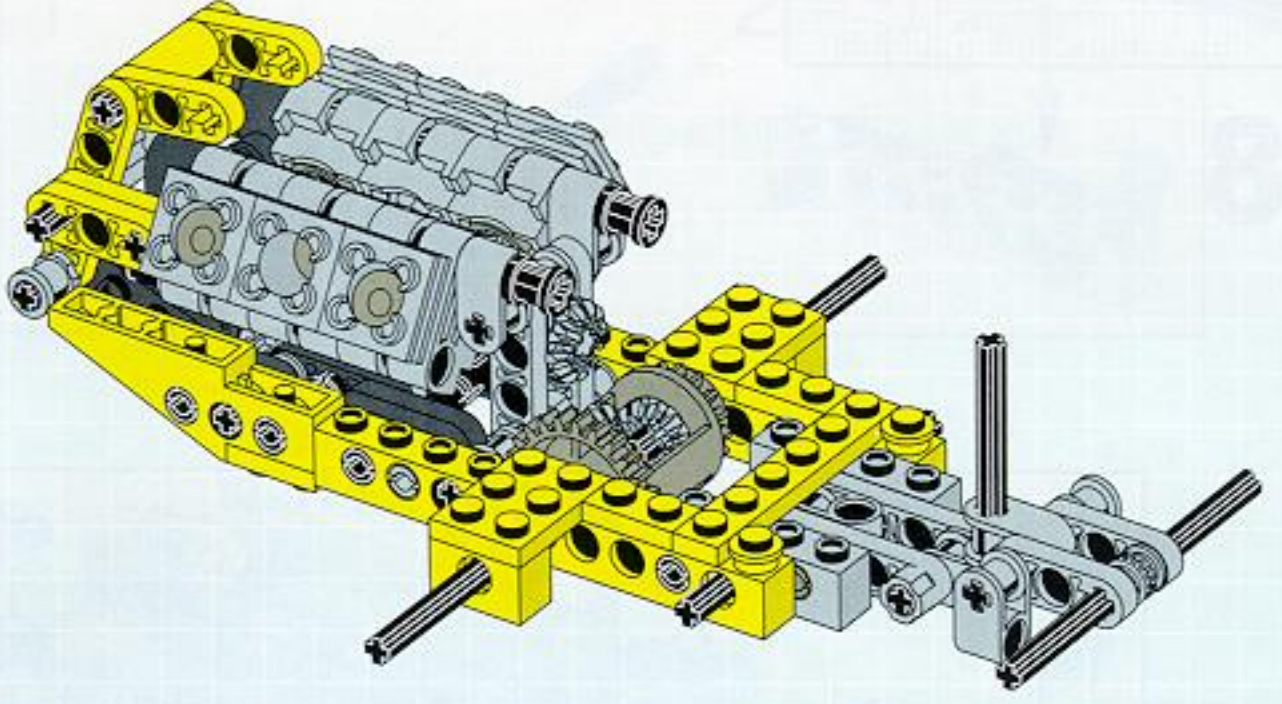


15

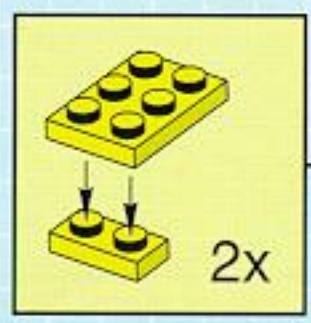
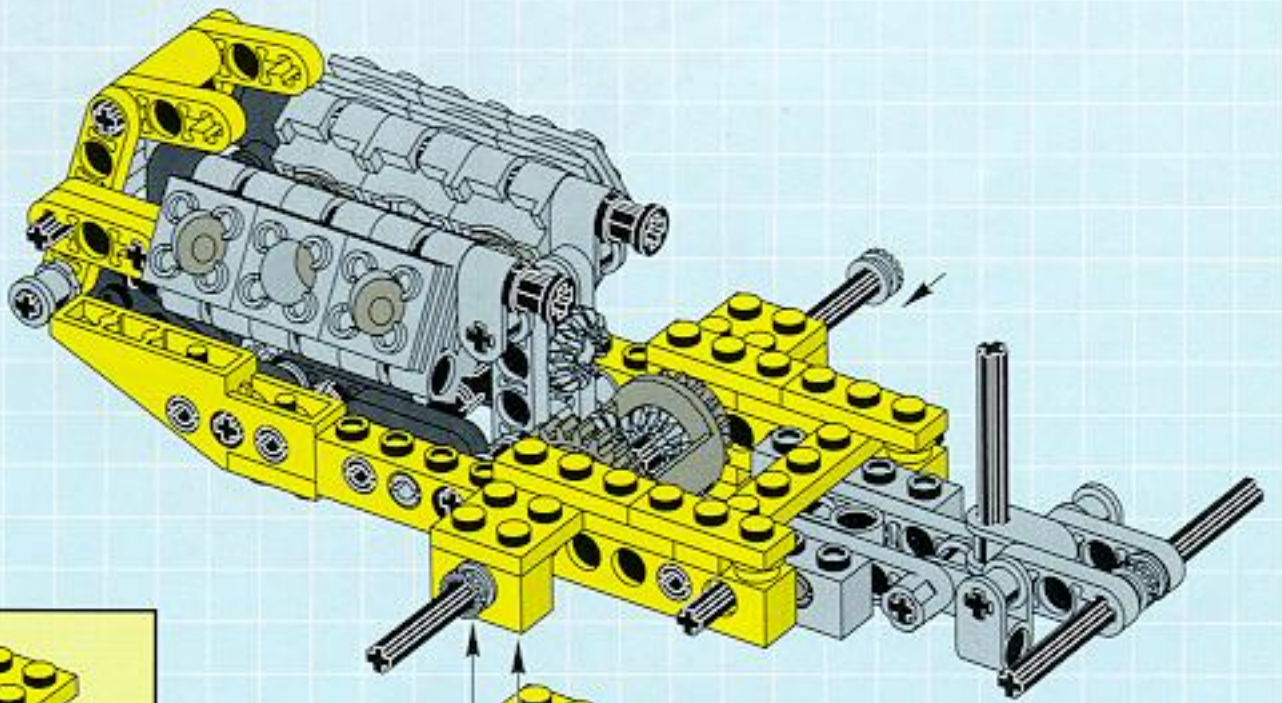


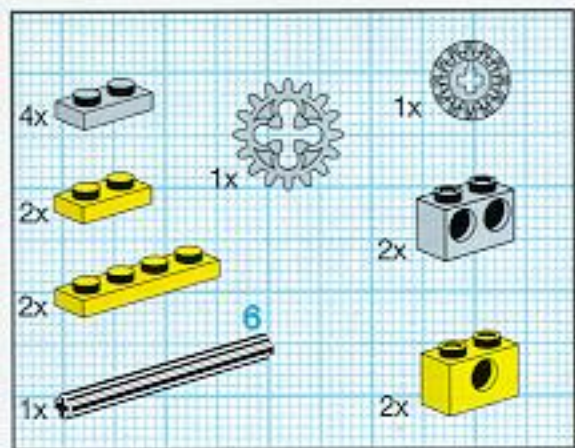


16

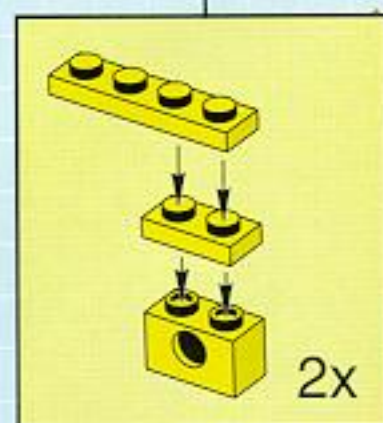
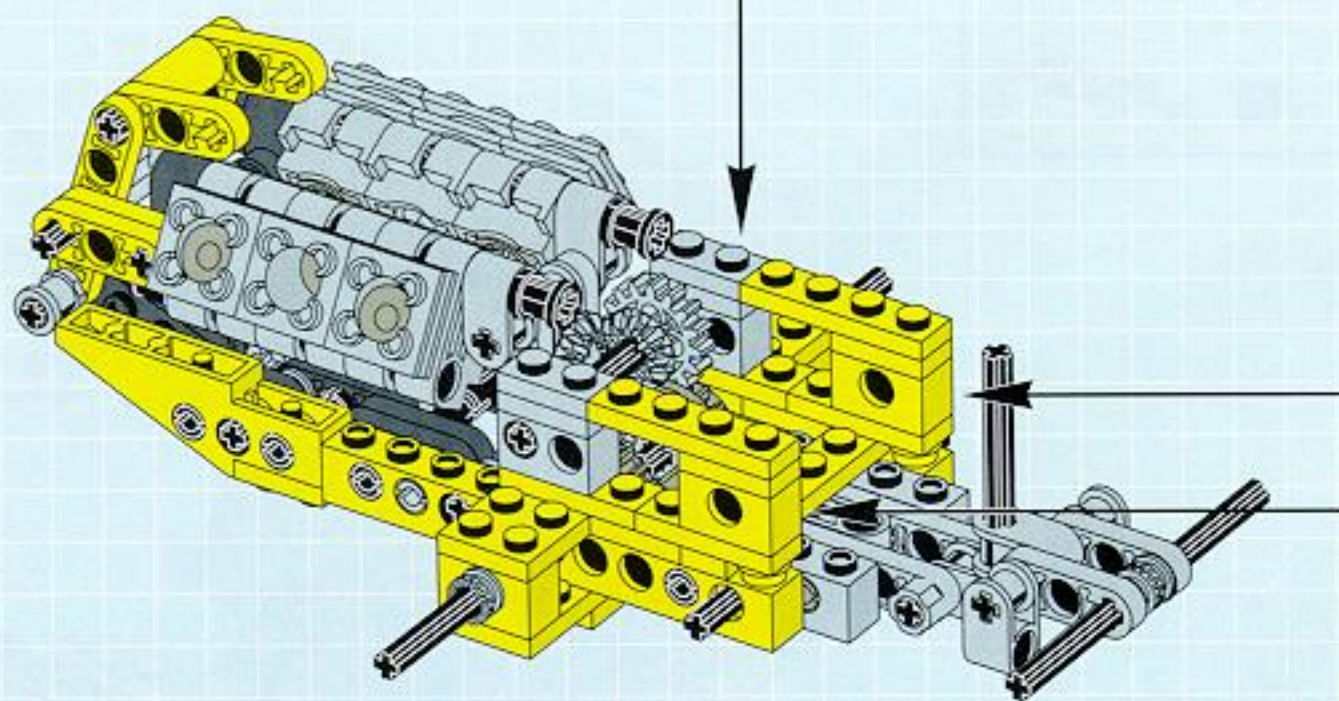
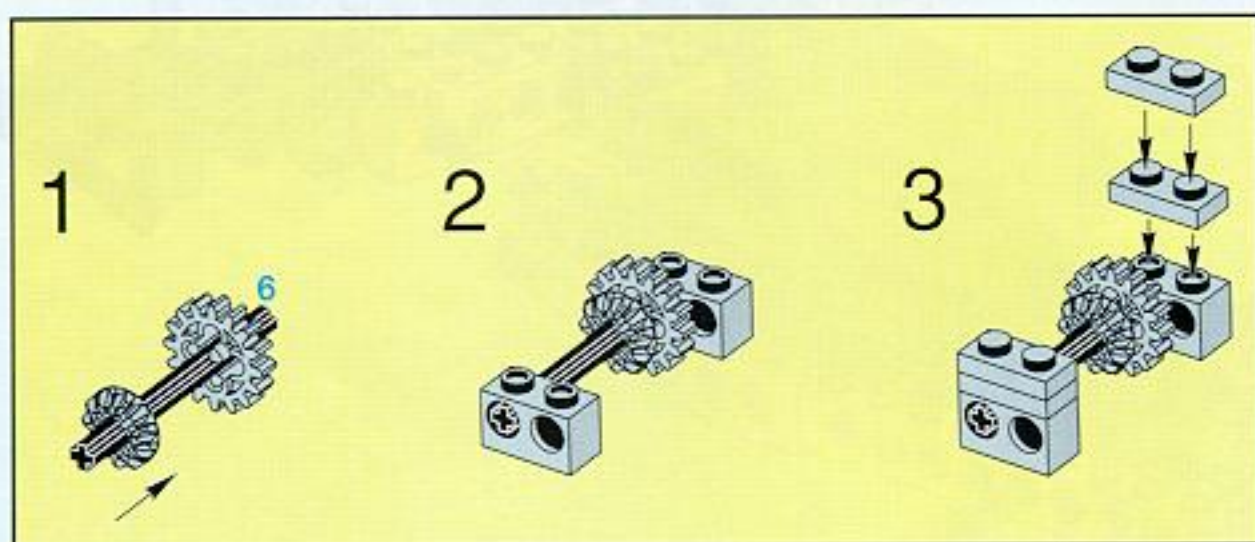


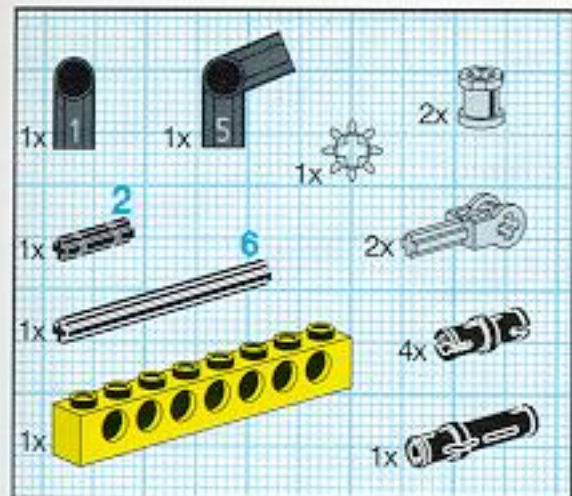
17



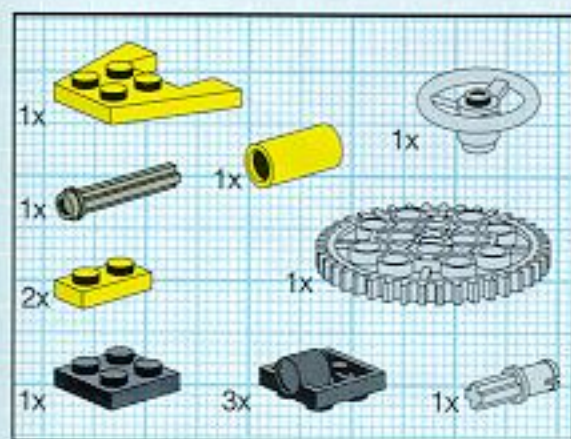
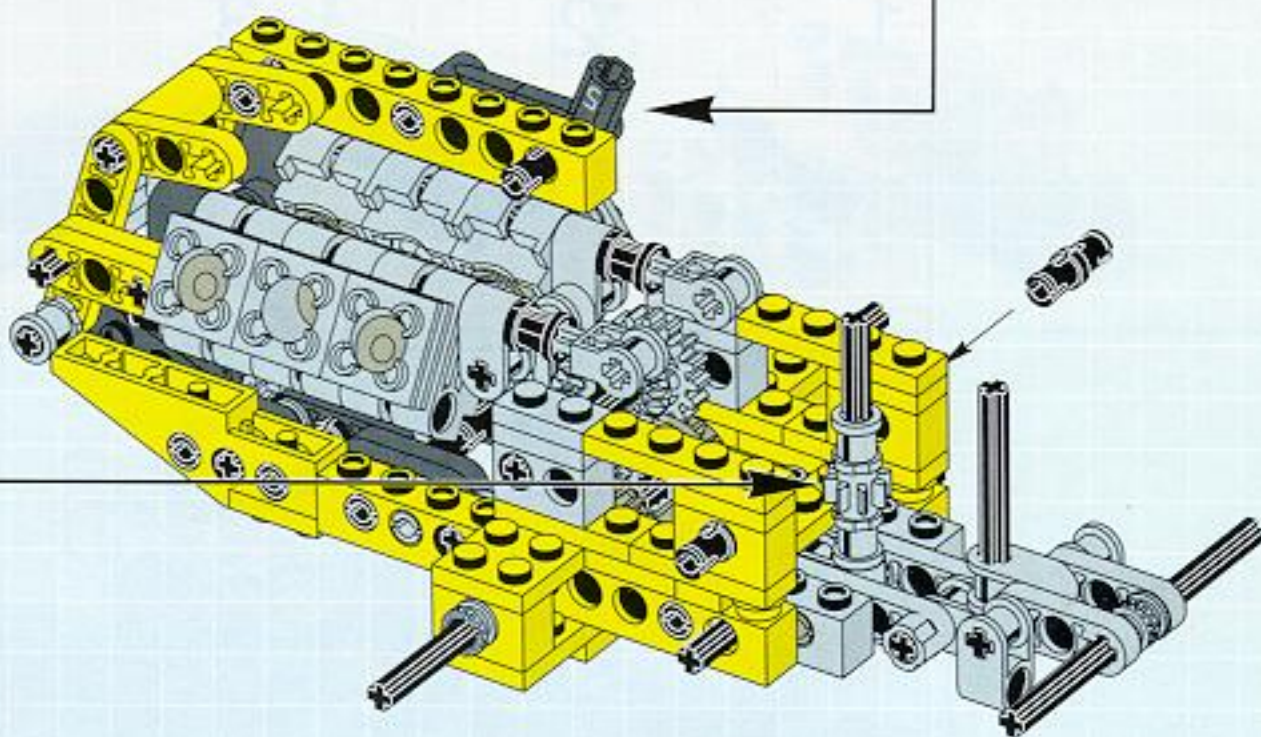
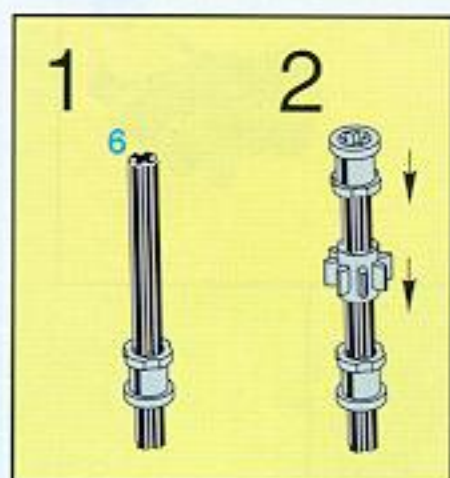
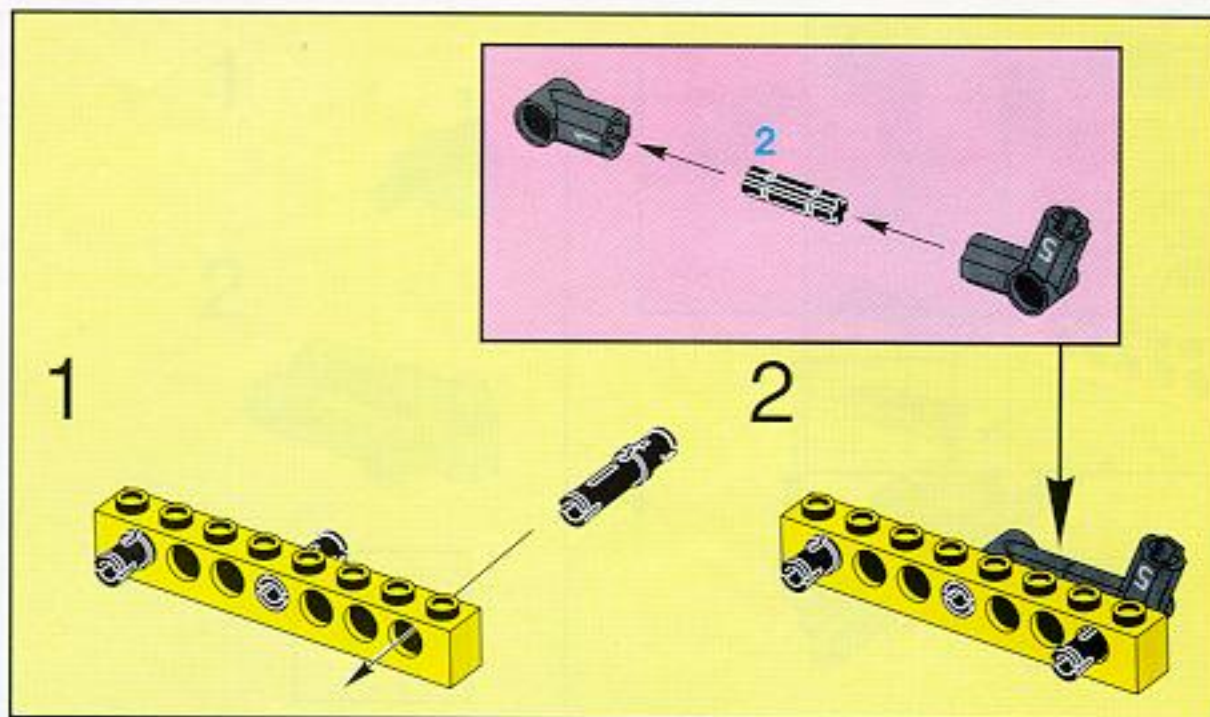


# 18

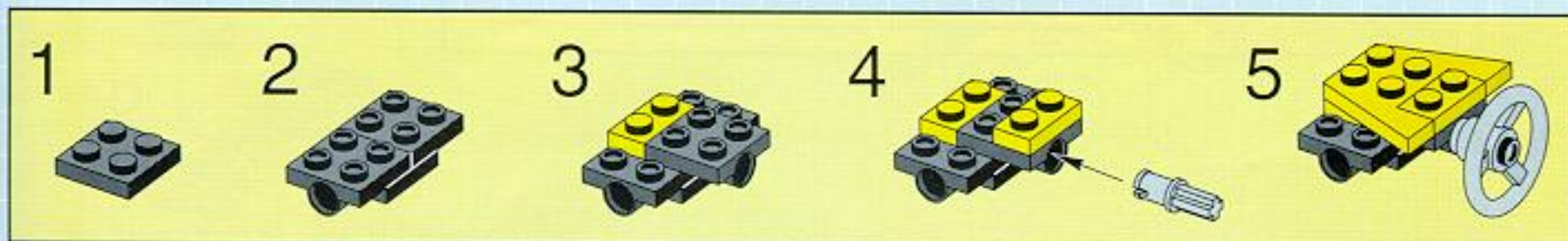
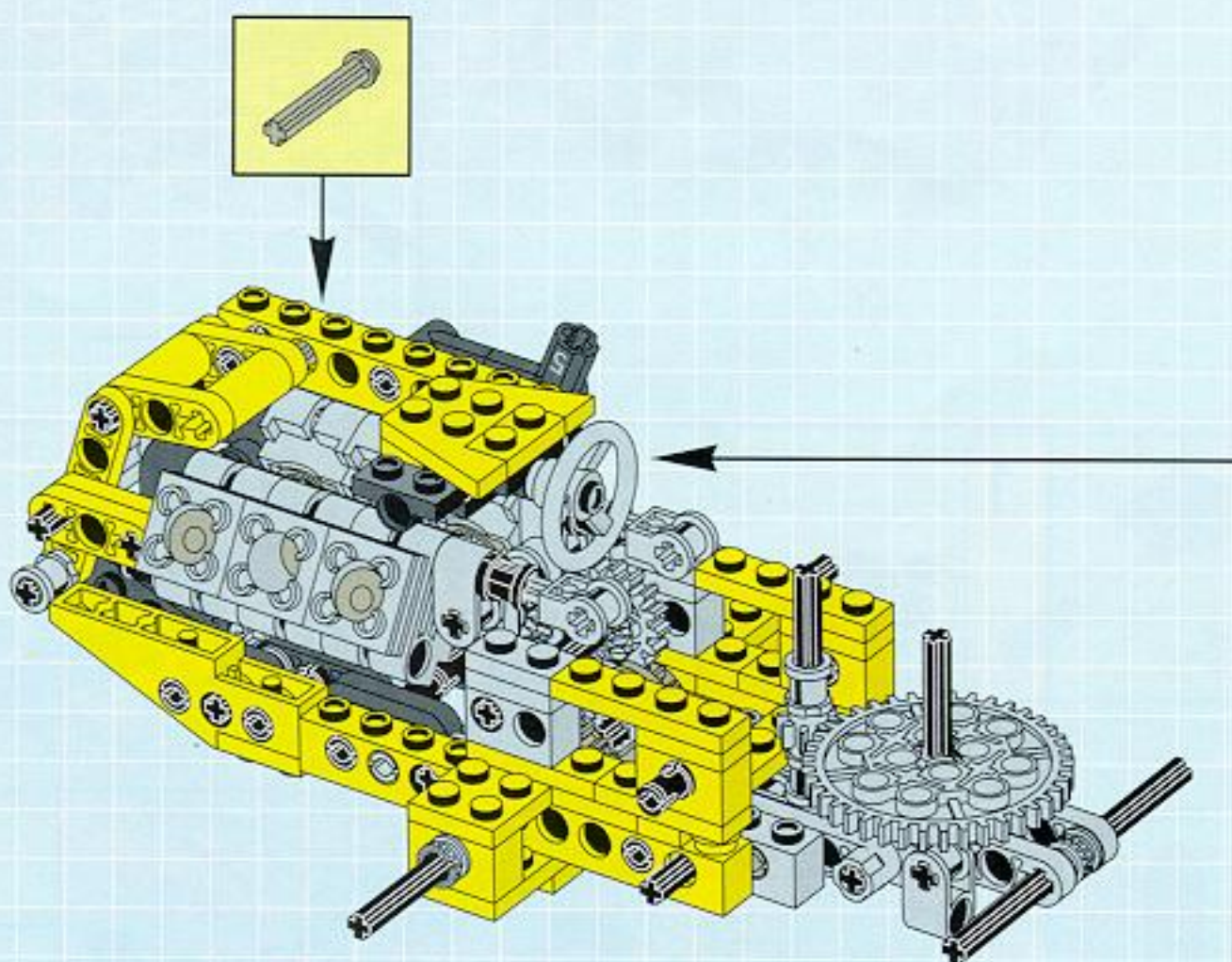


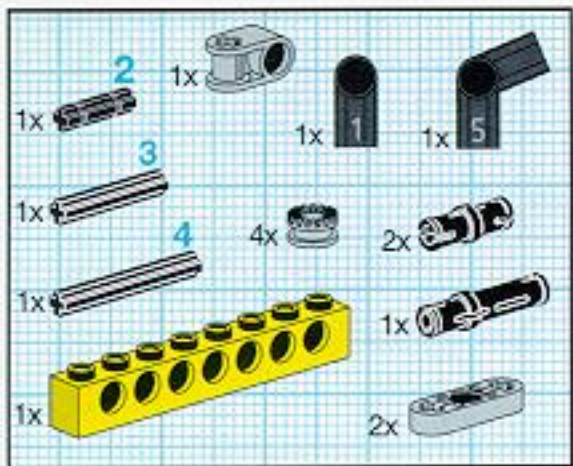


19

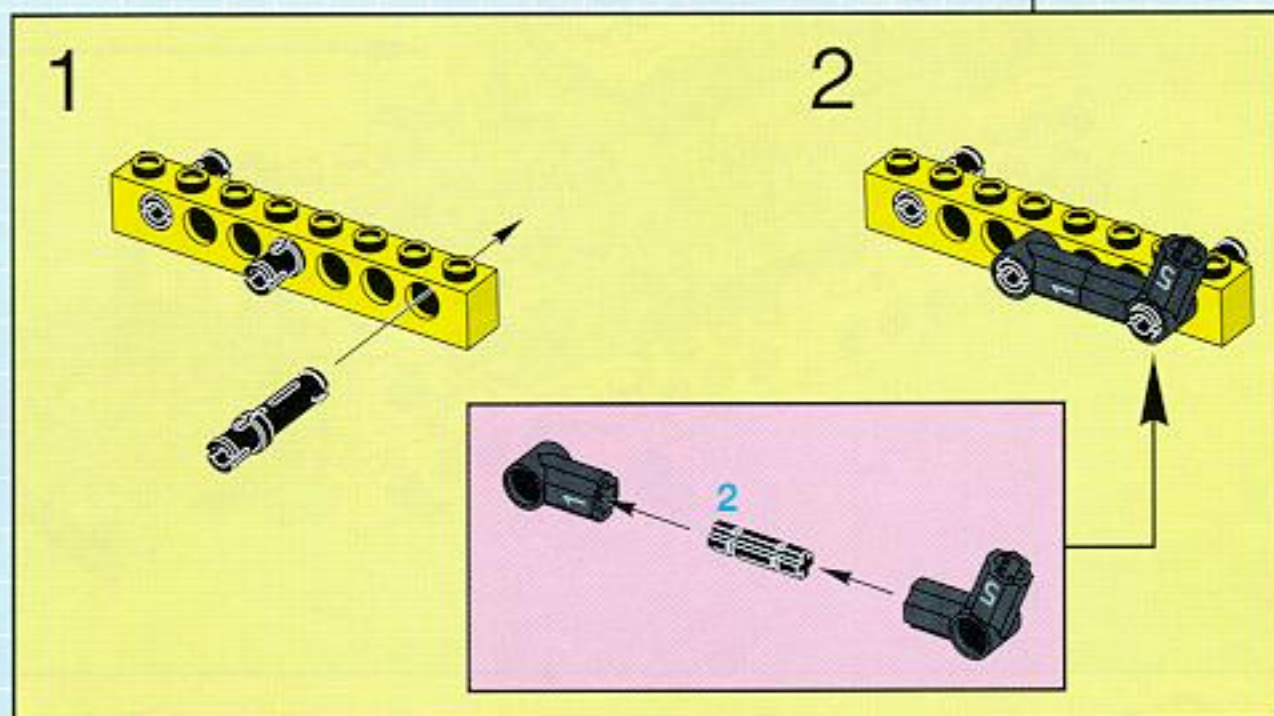
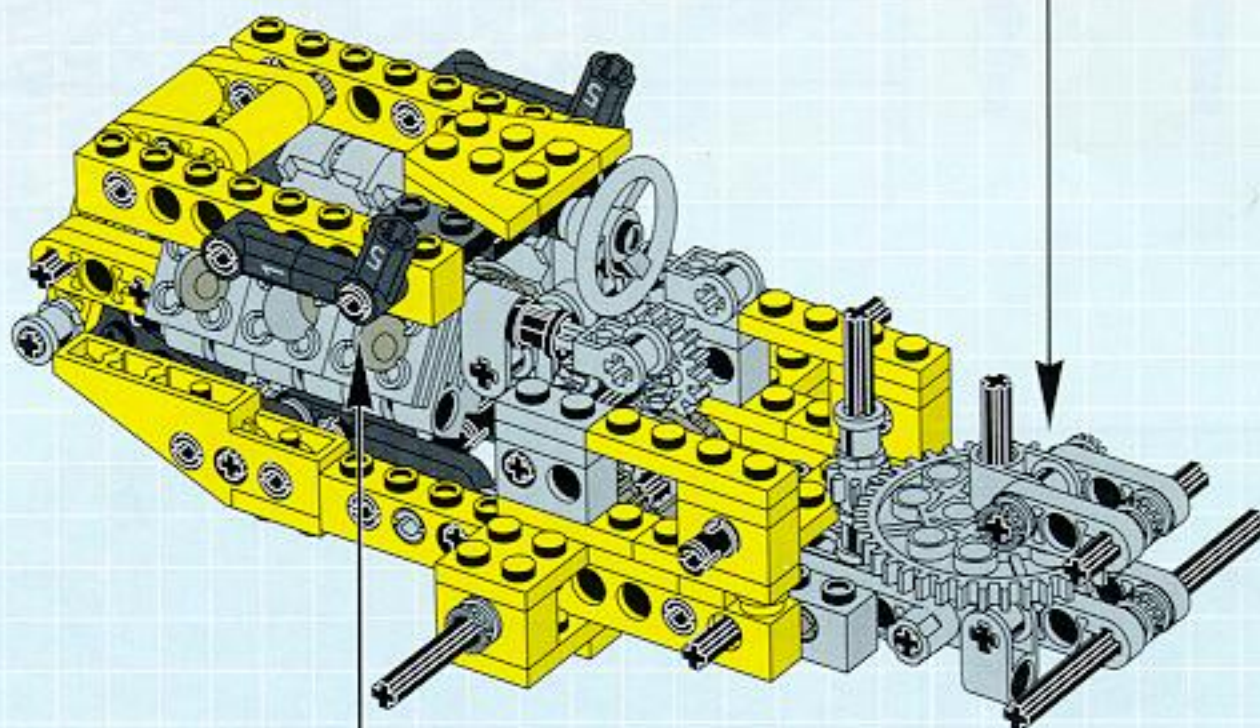
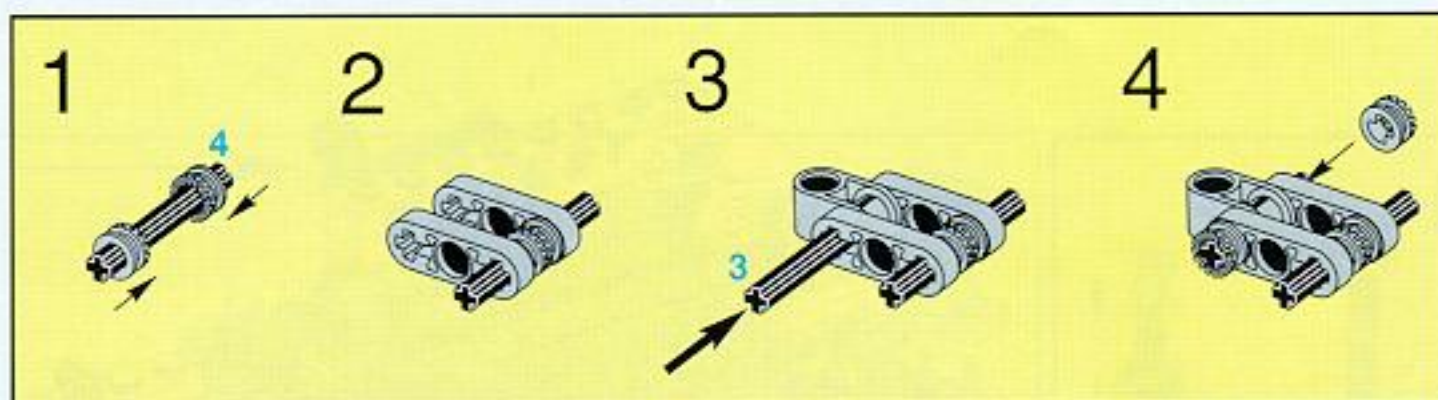


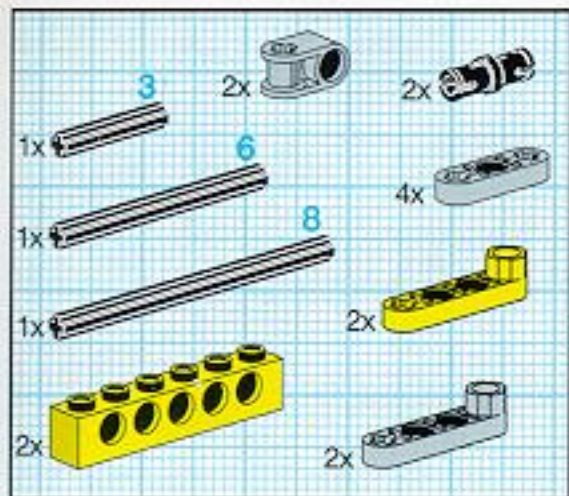
20



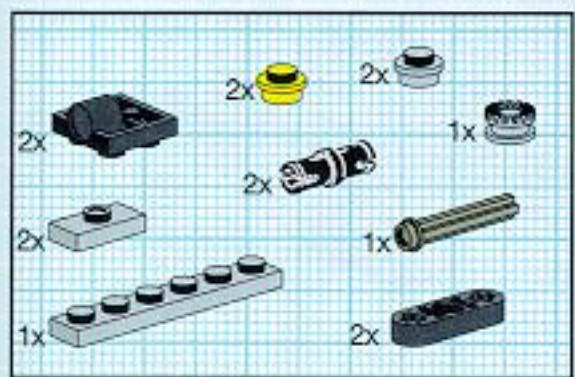
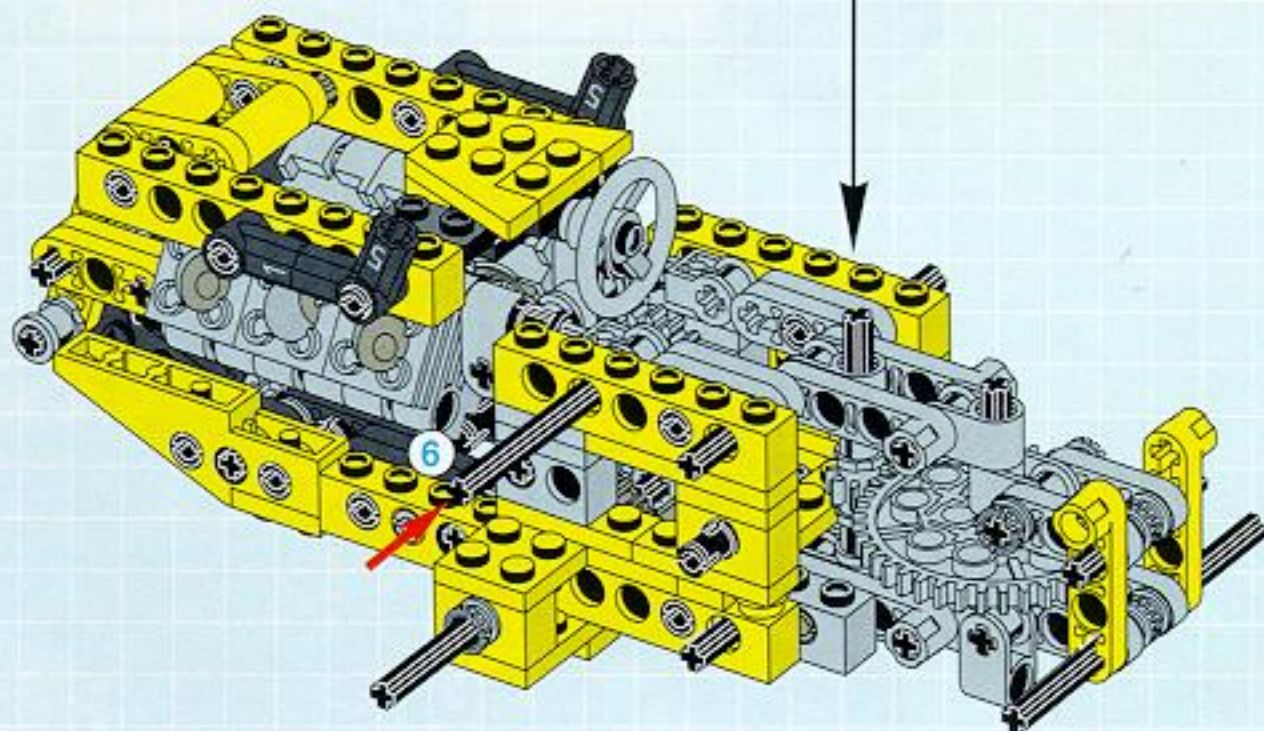
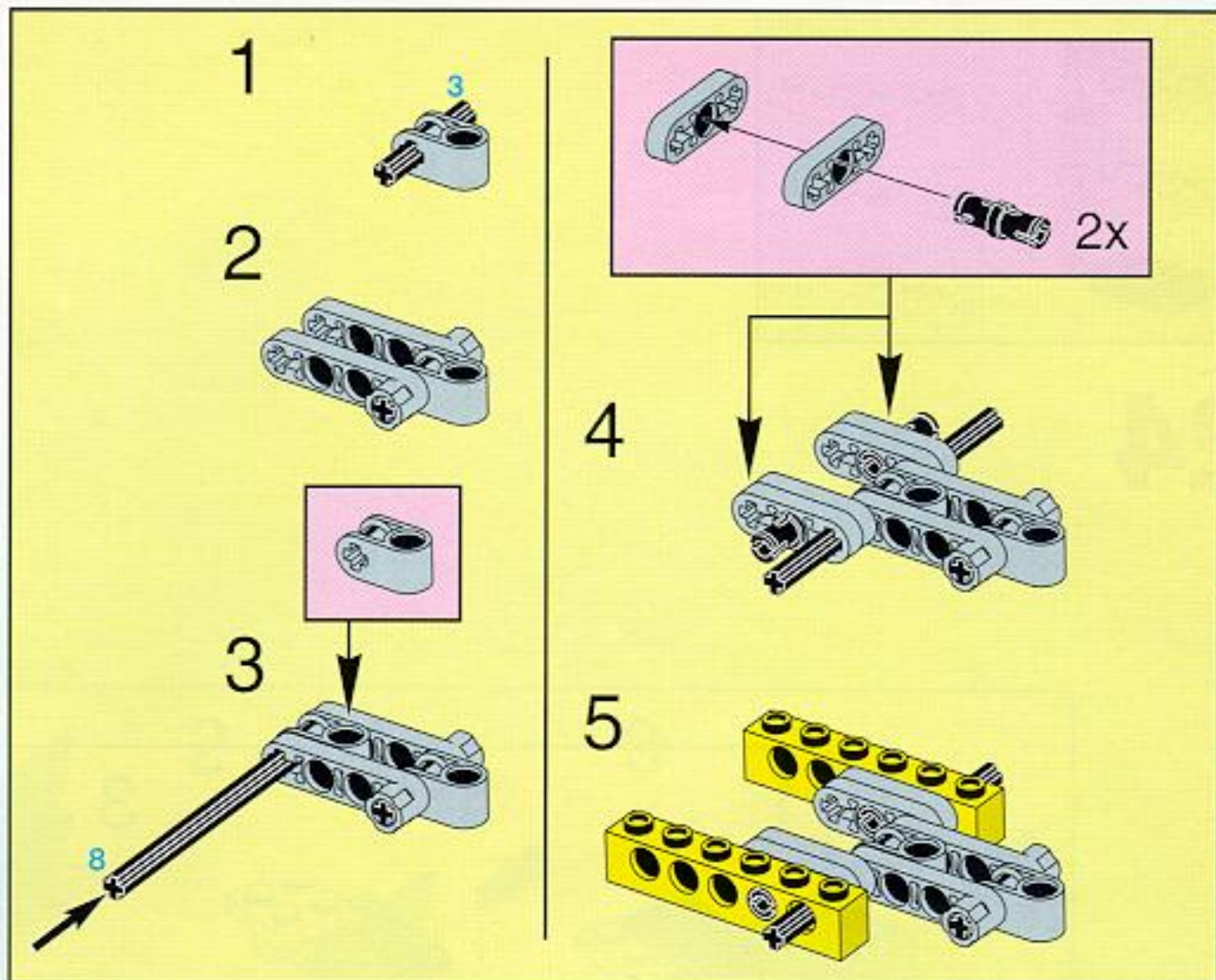


21

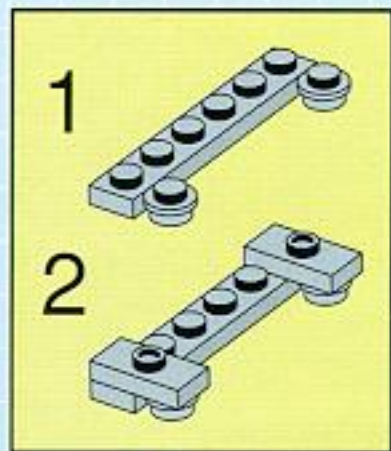
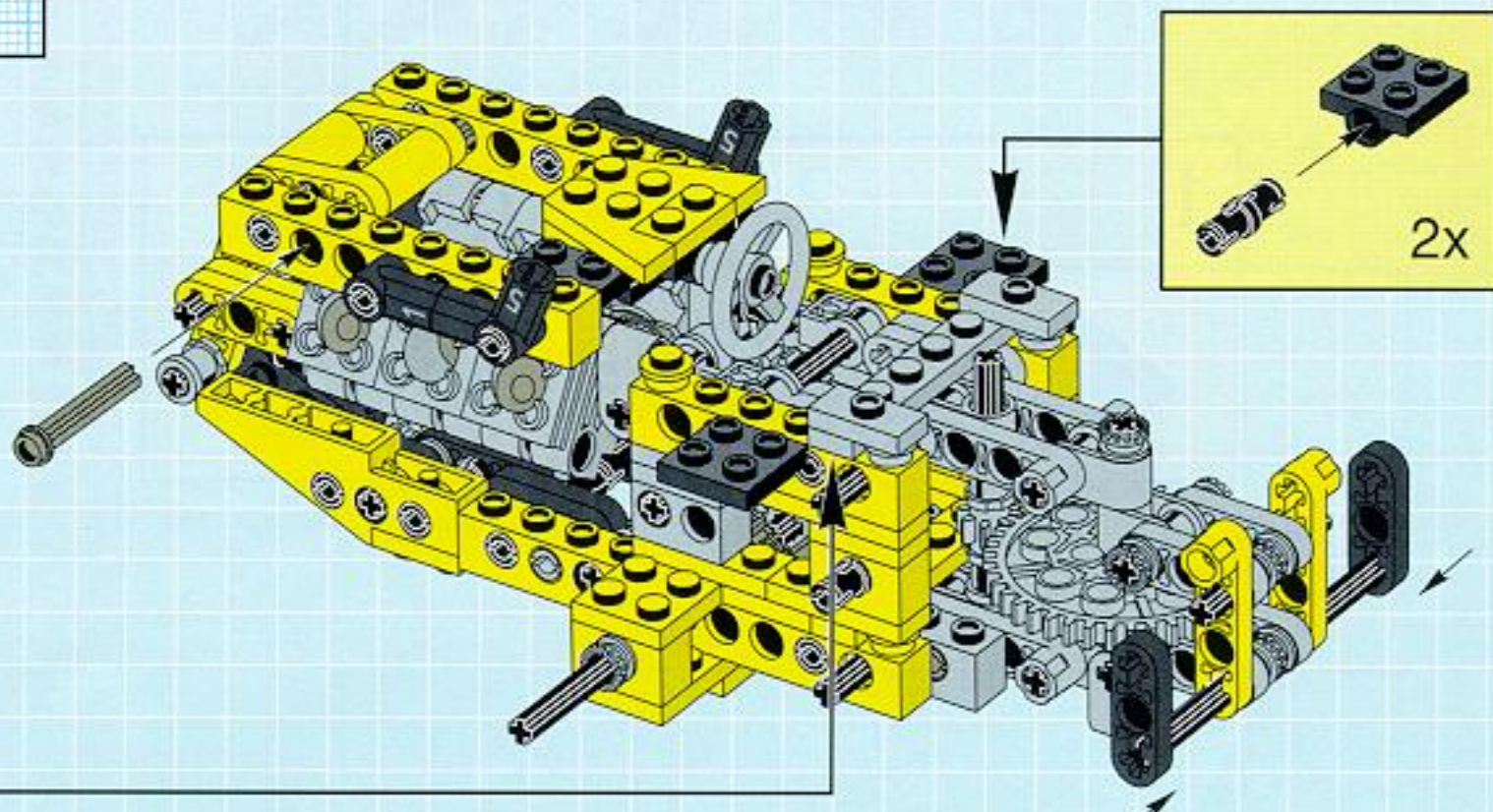


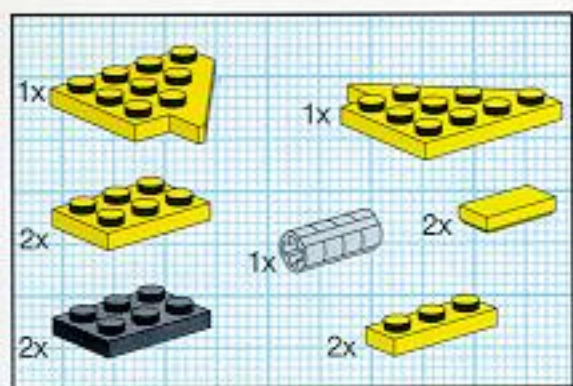


22

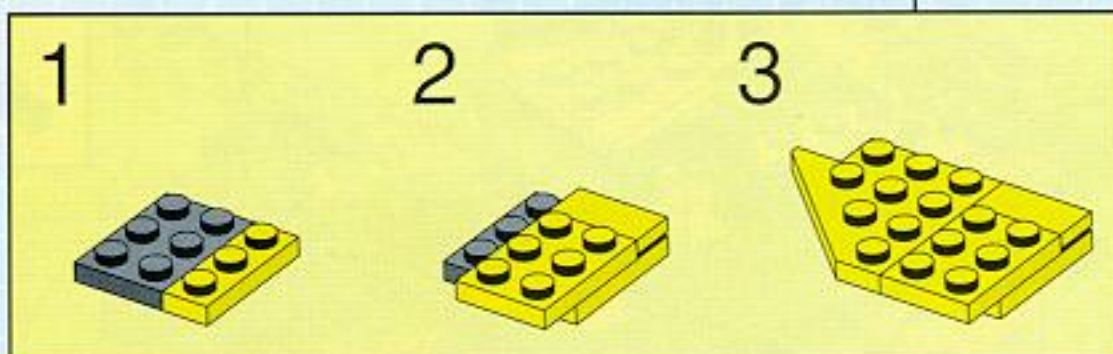
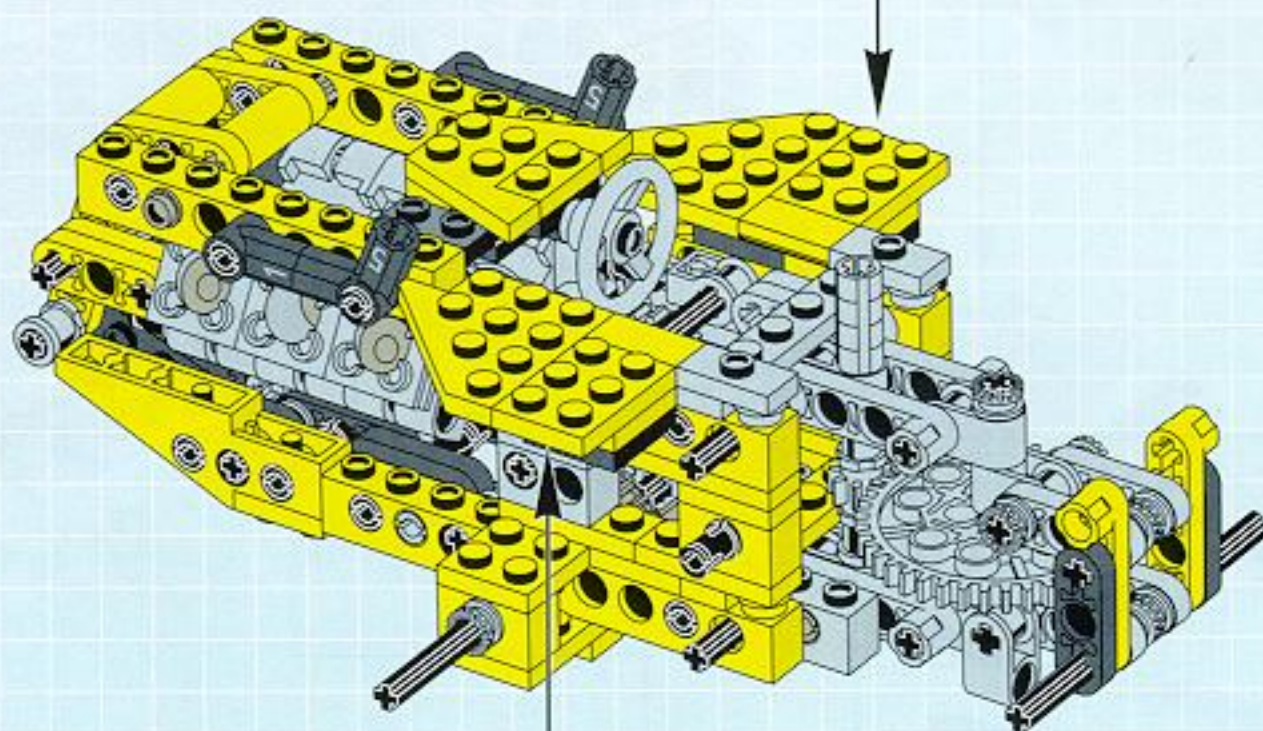
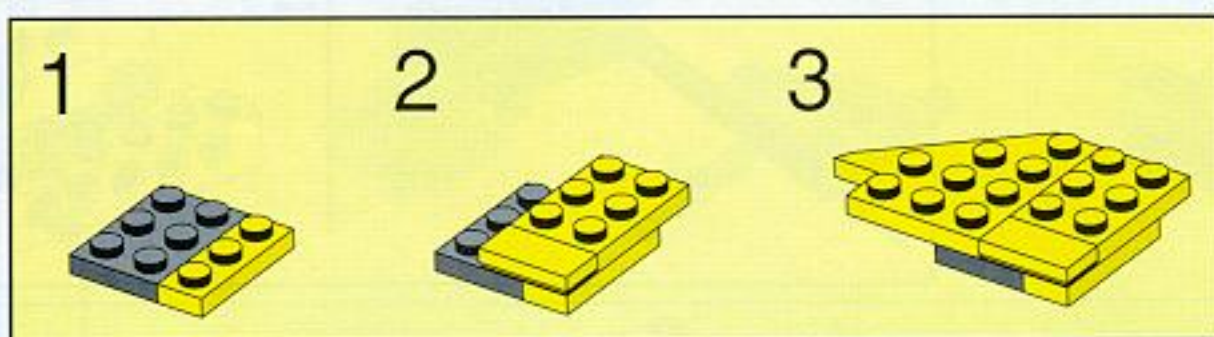


23

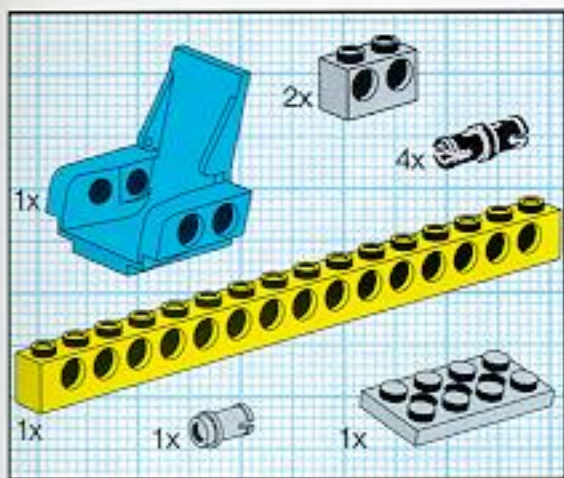




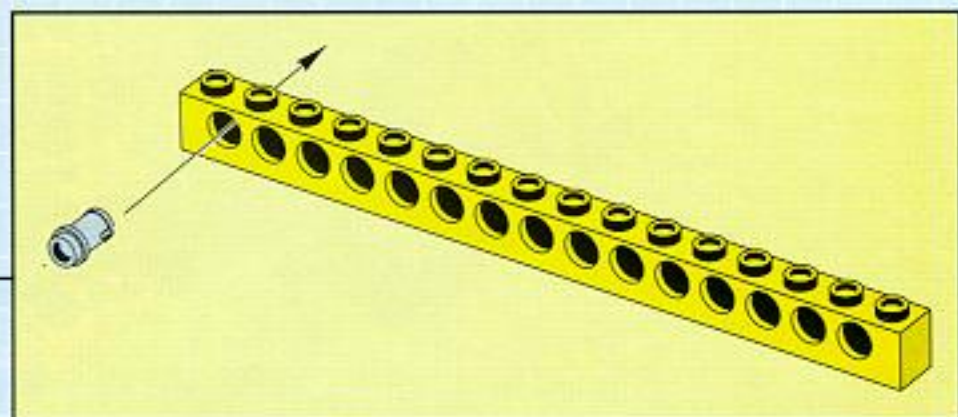
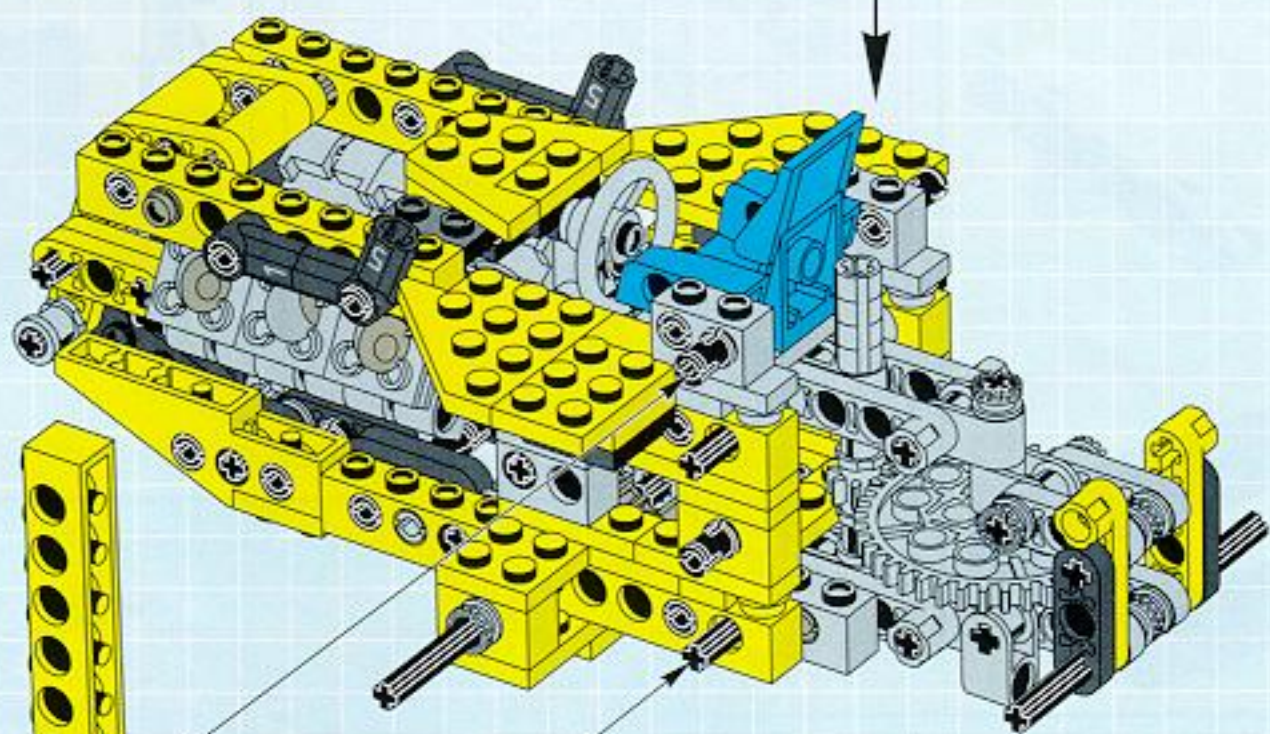
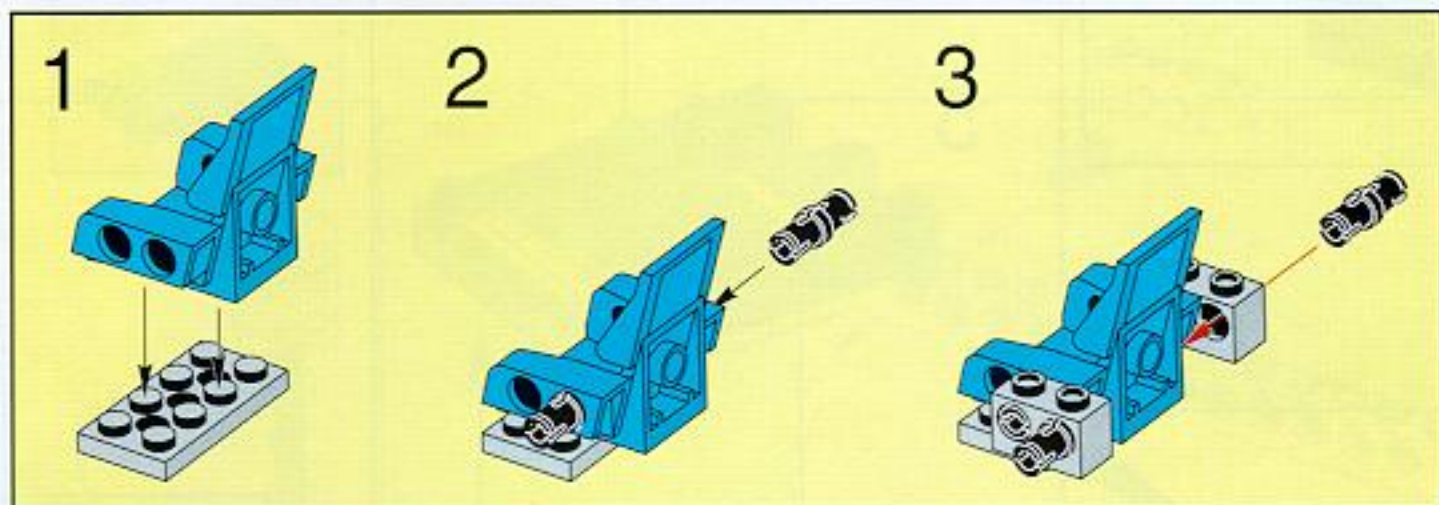
# 24

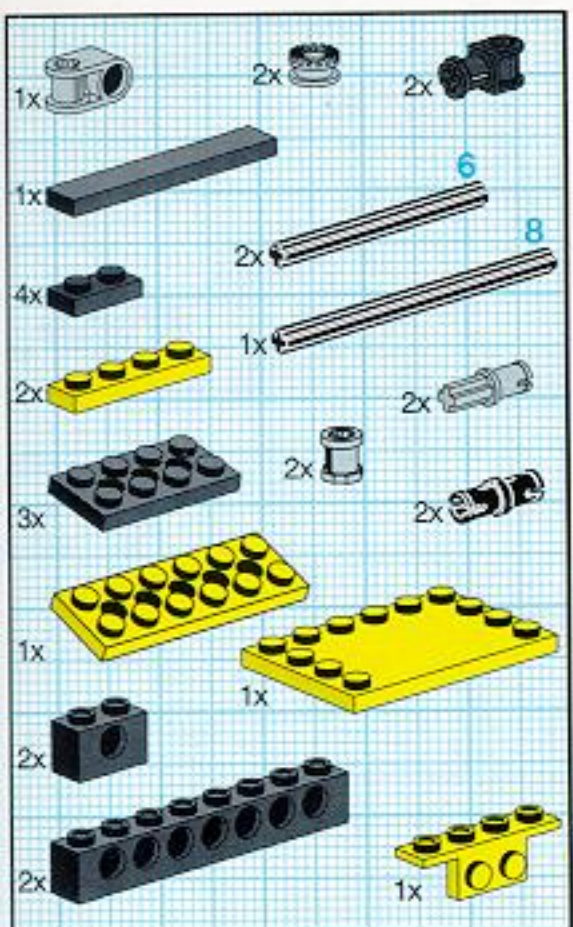




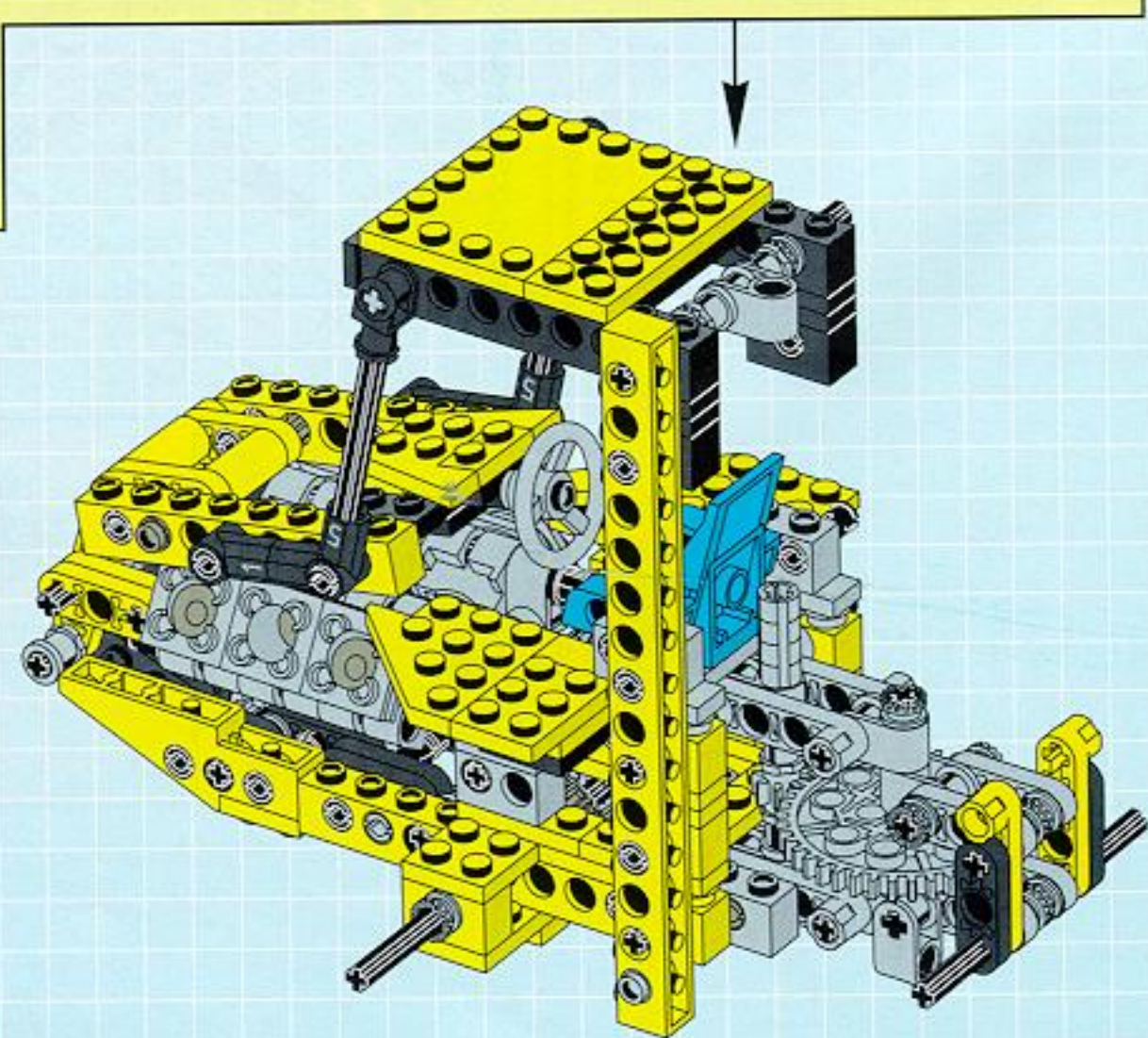
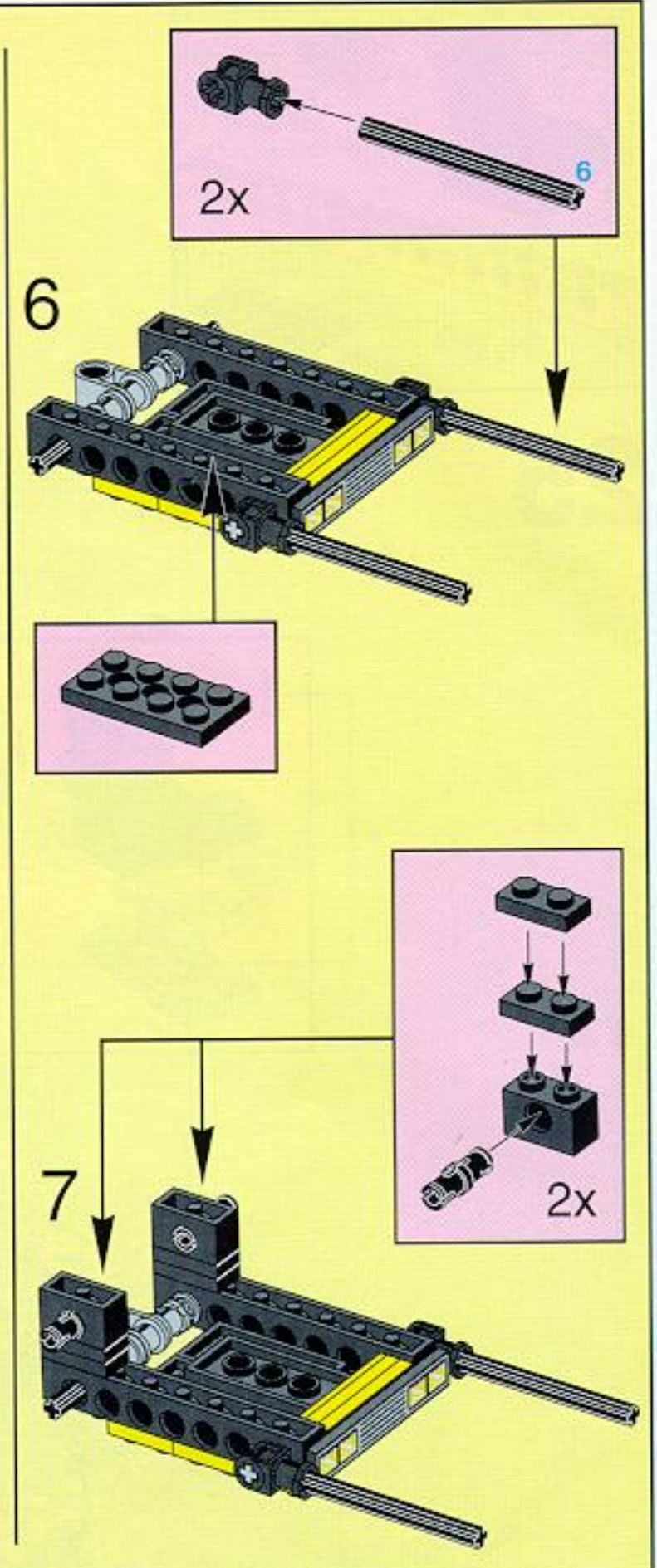
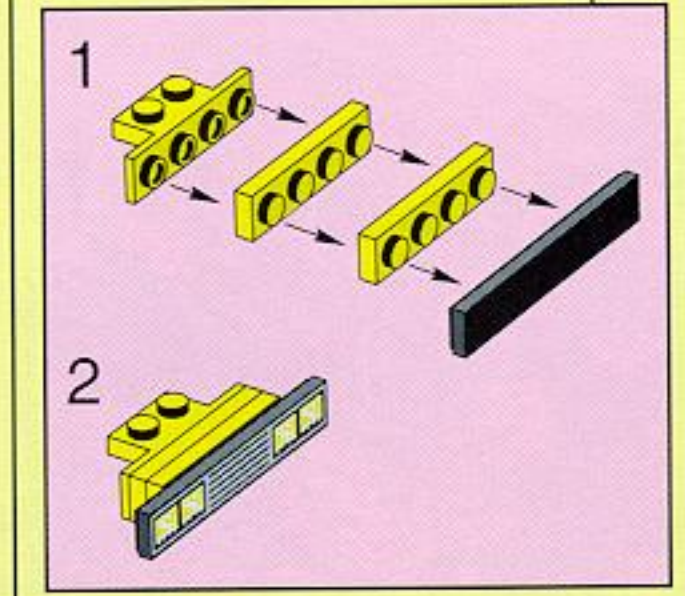
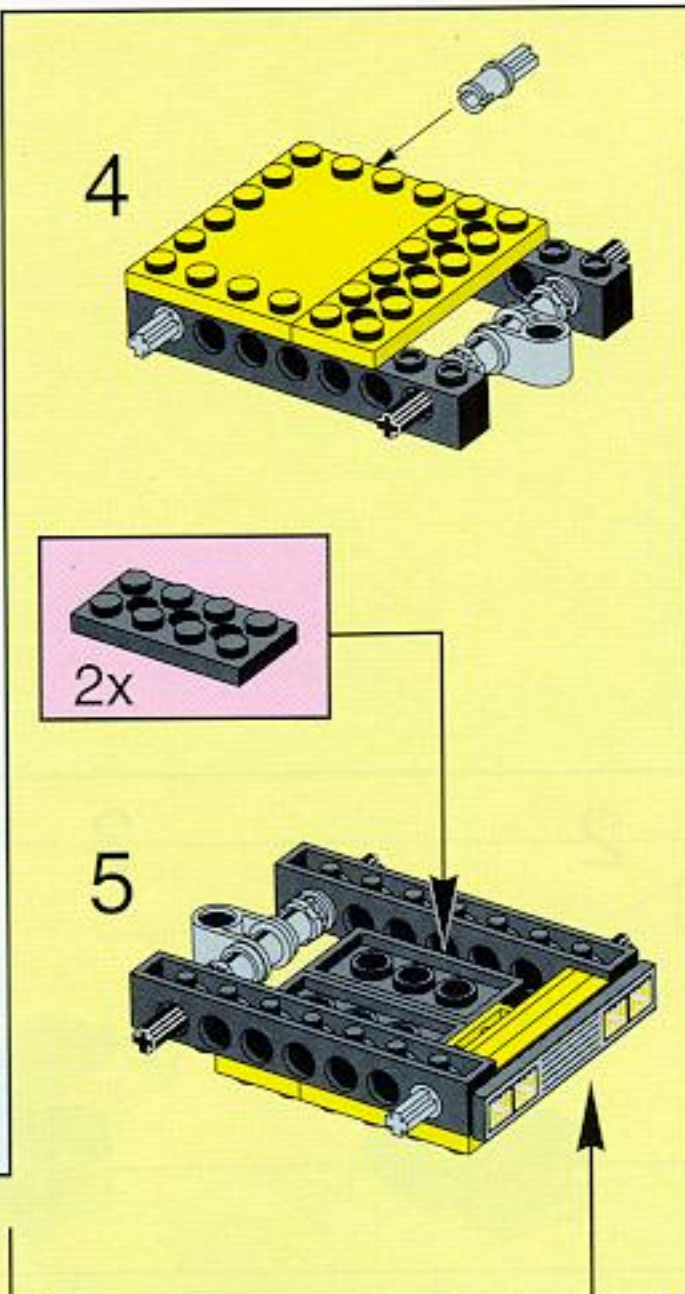
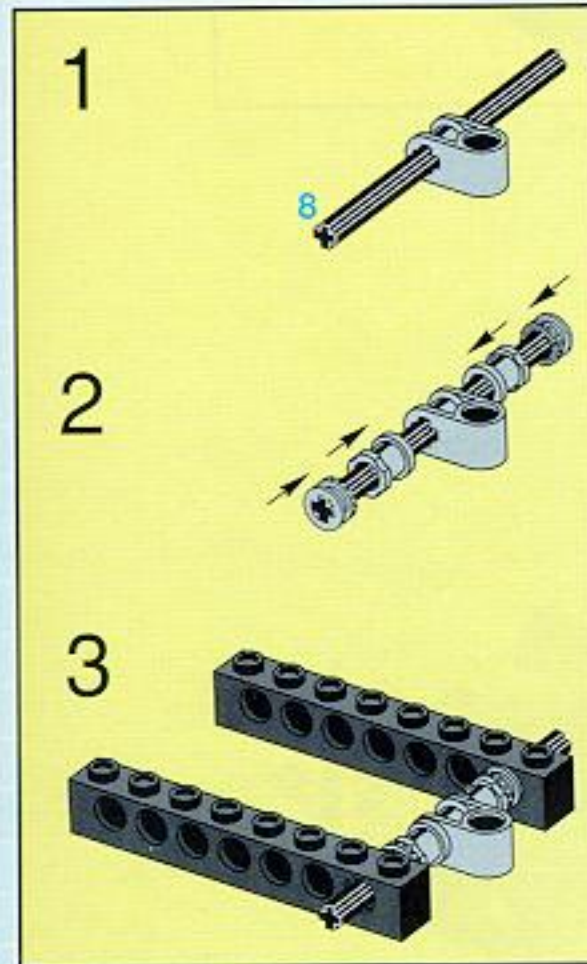


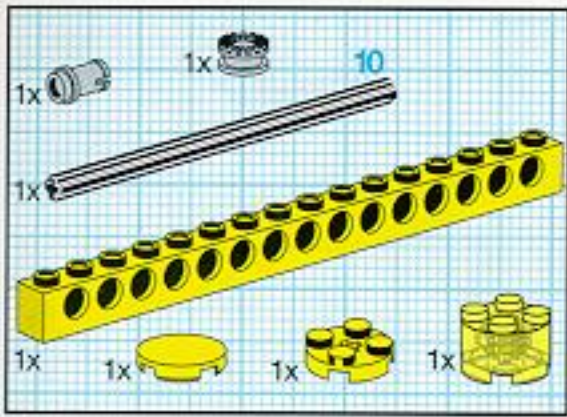
25



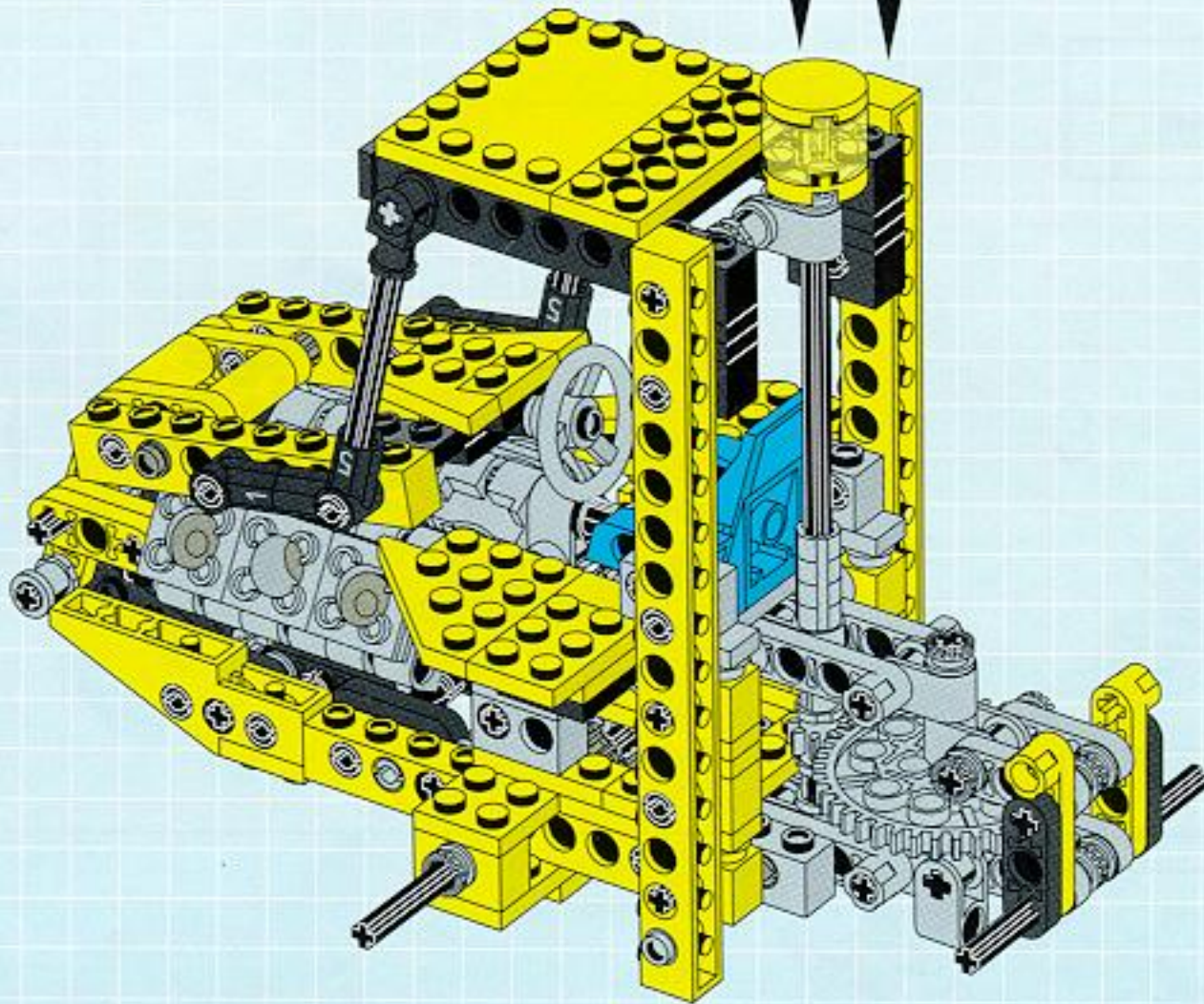
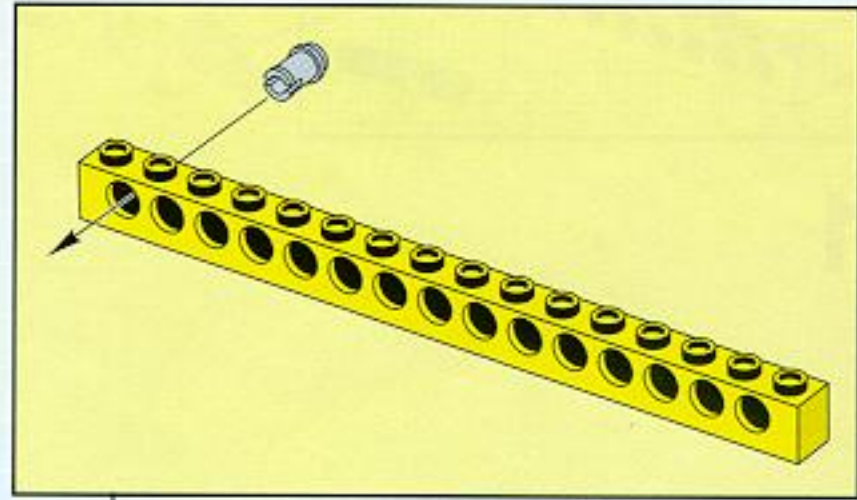
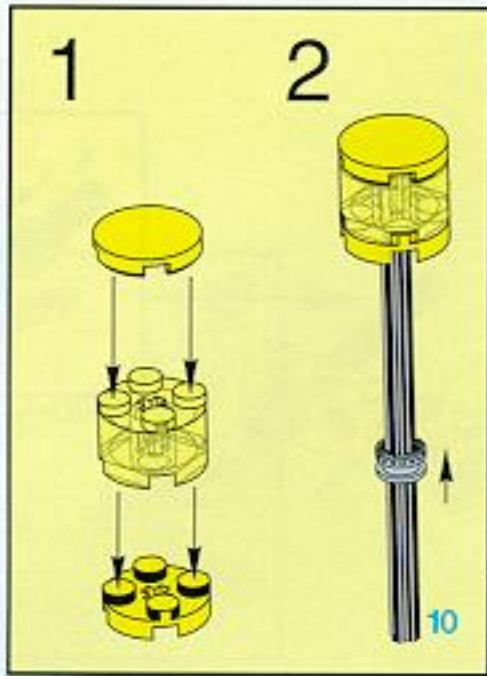


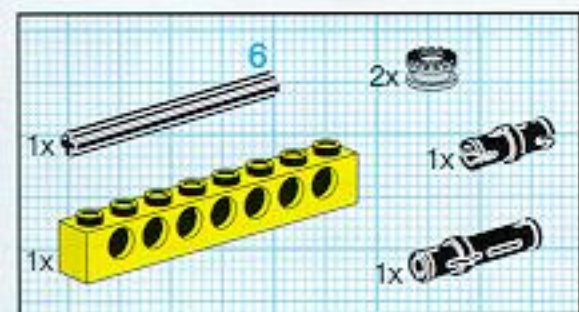
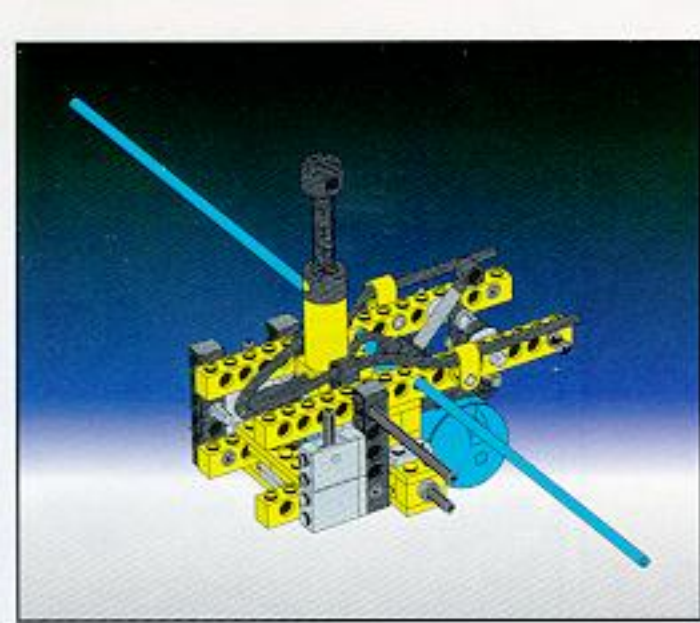
# 26



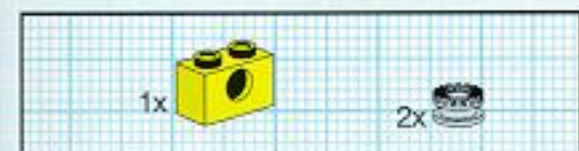
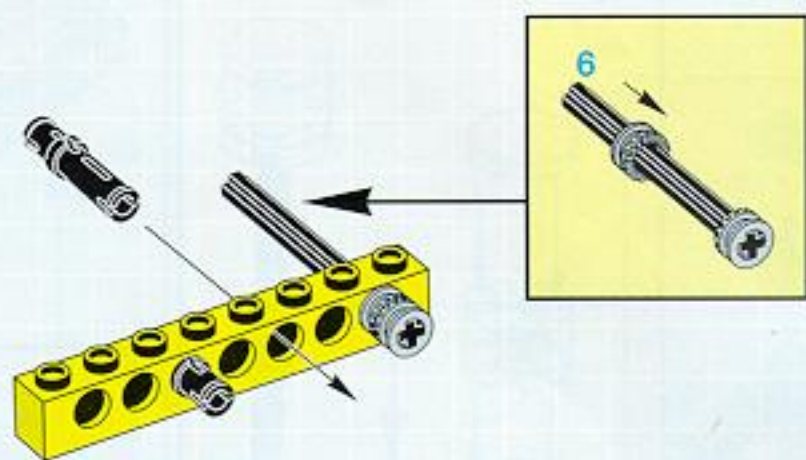


27

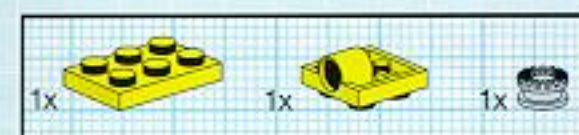
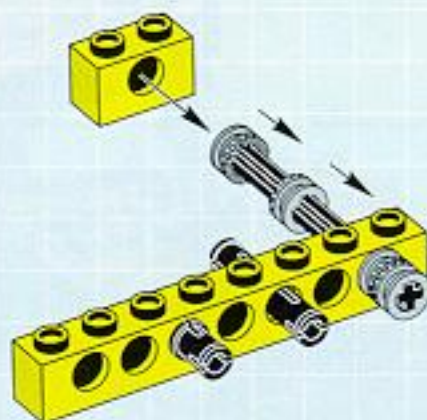




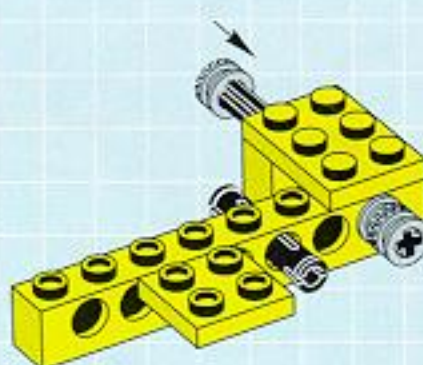
1

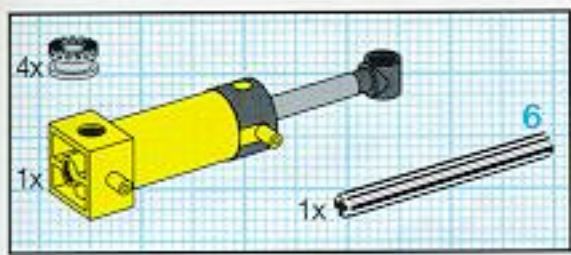


2

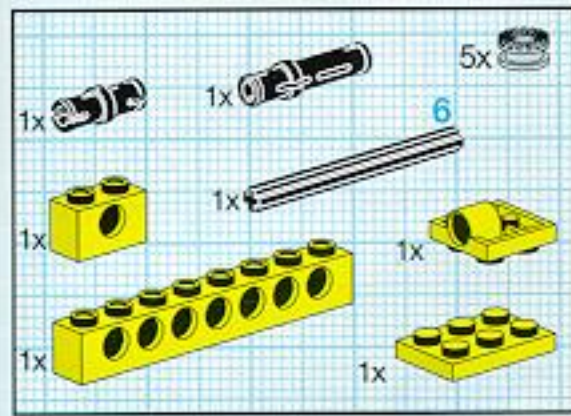
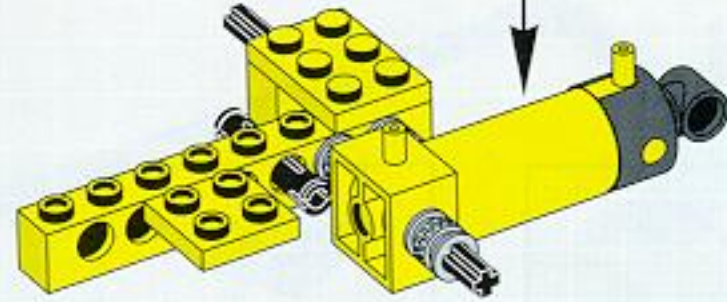
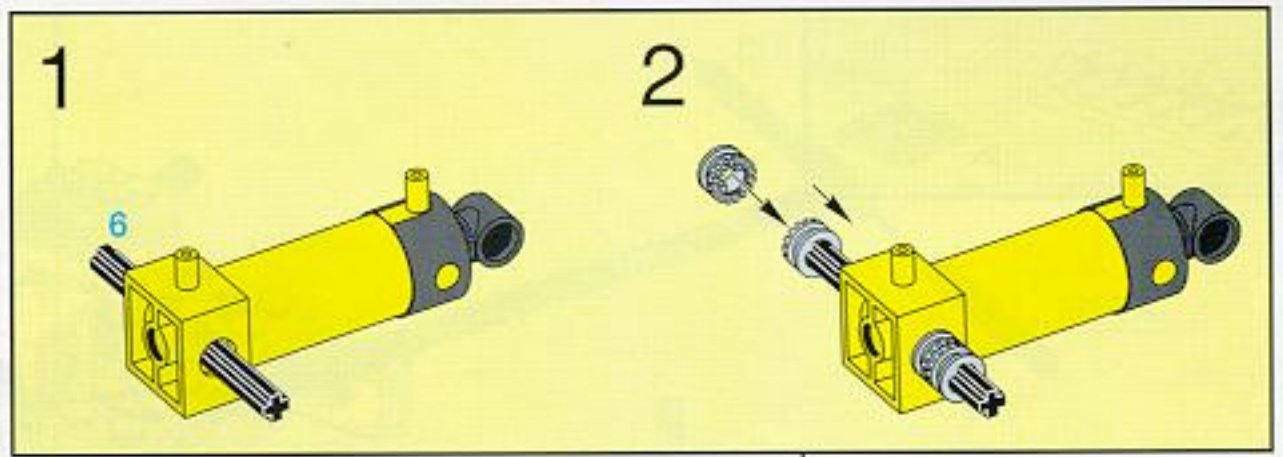


3

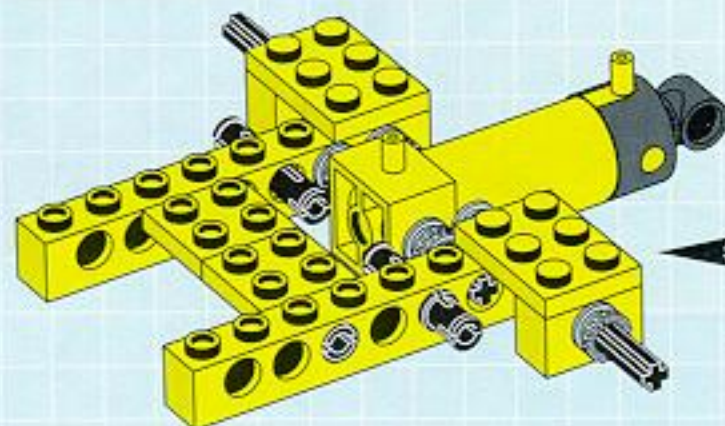
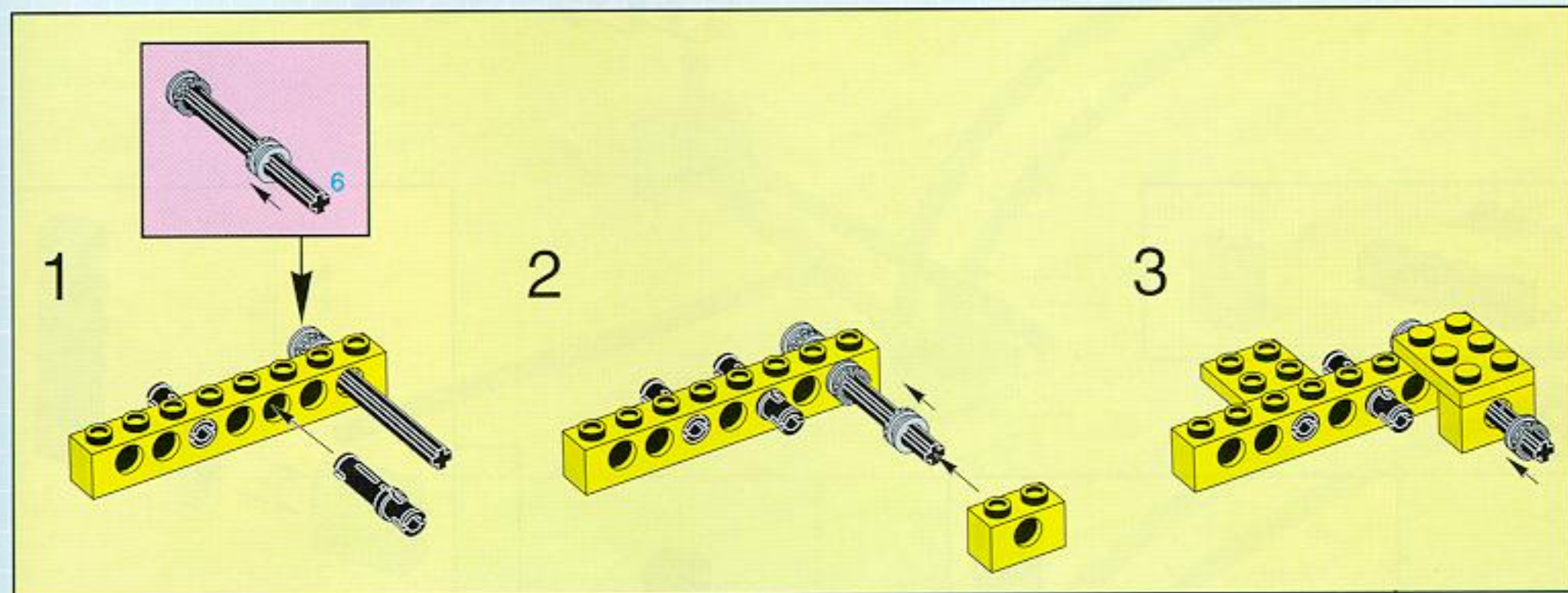


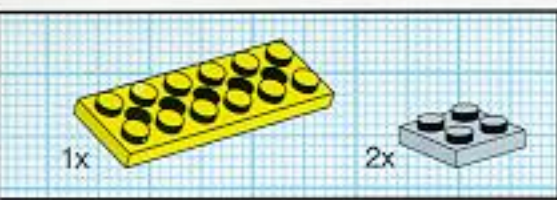


4

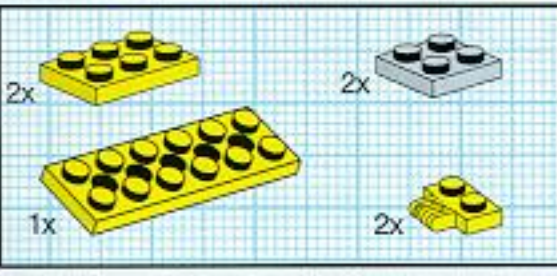
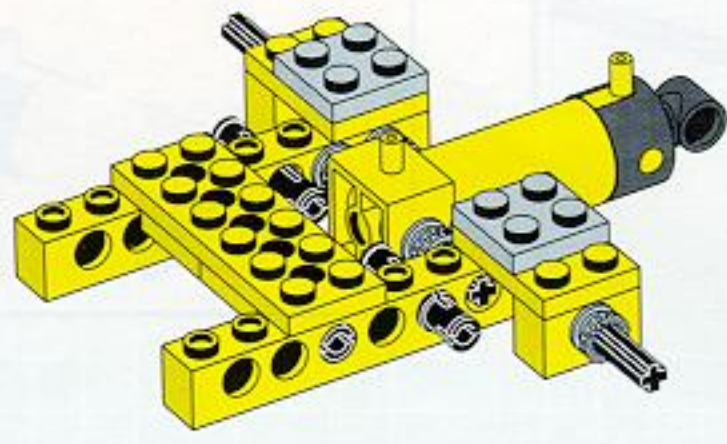


5

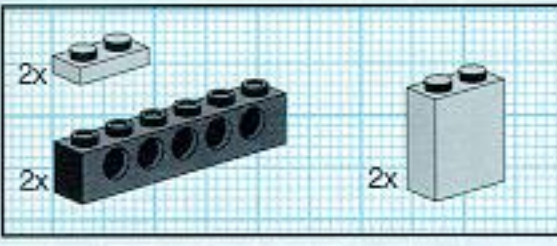
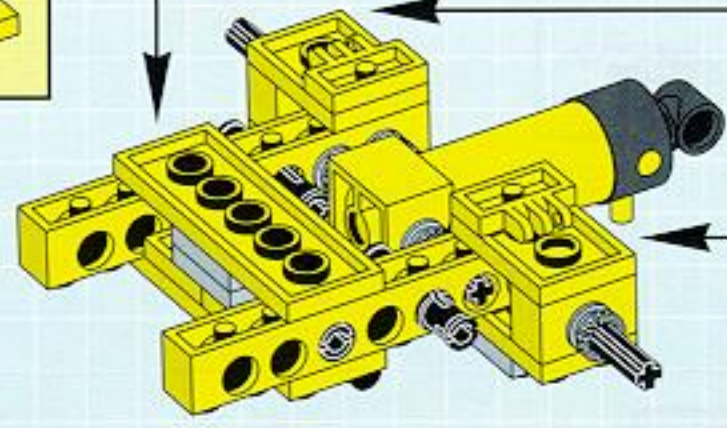
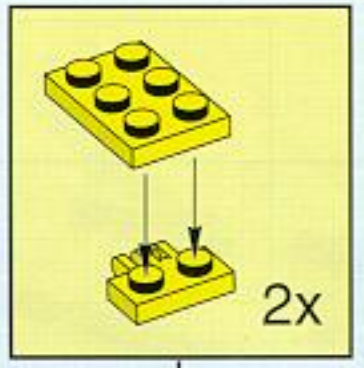
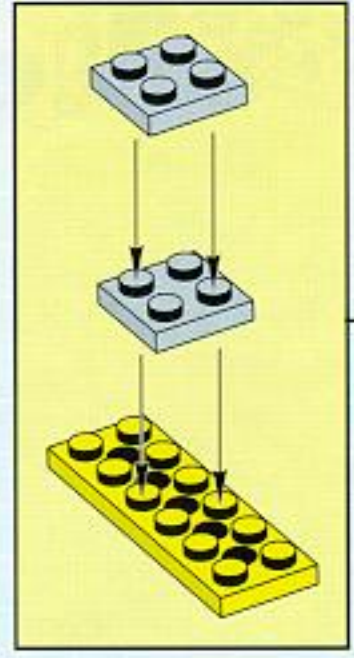




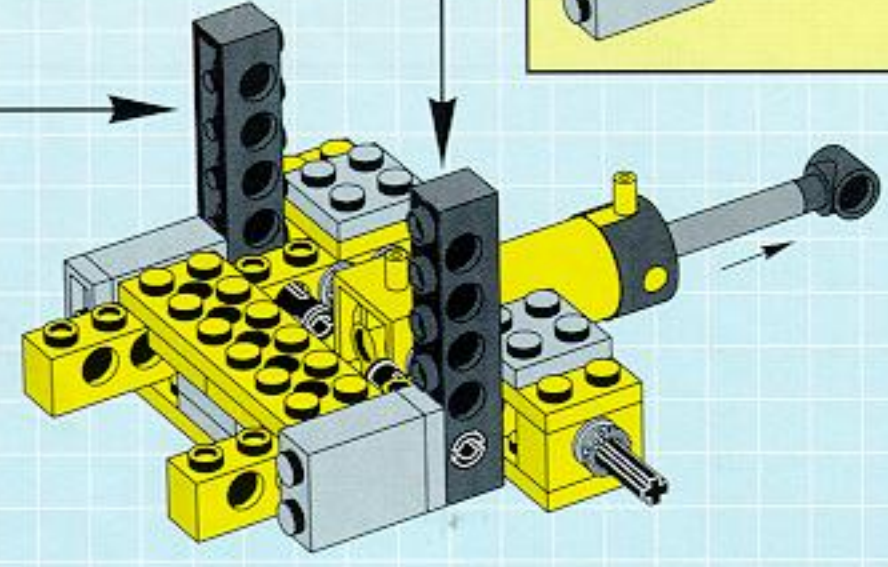
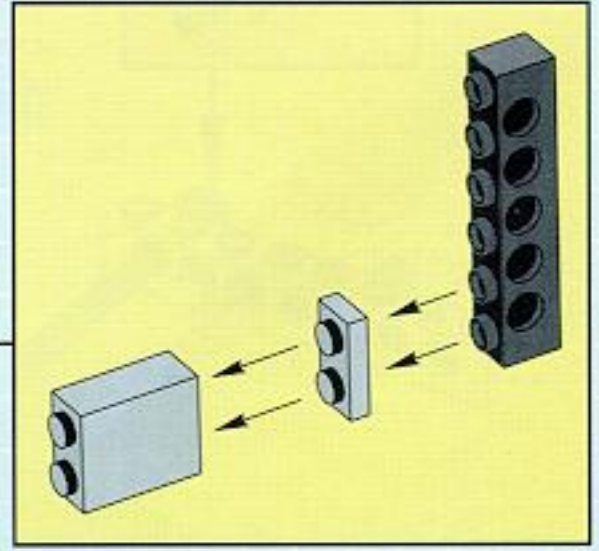
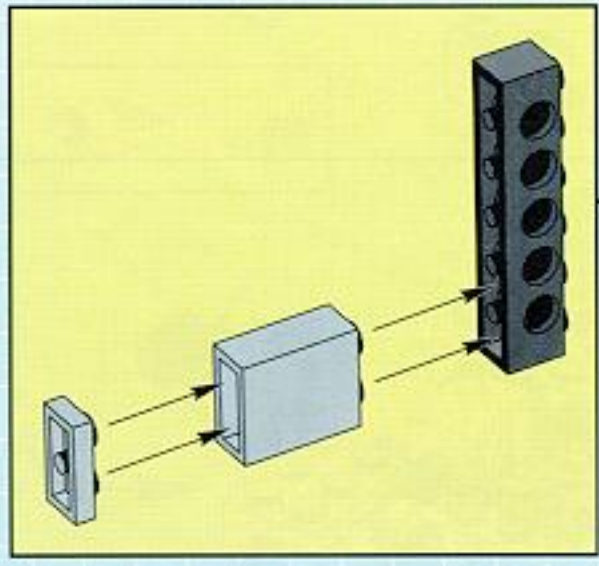
6

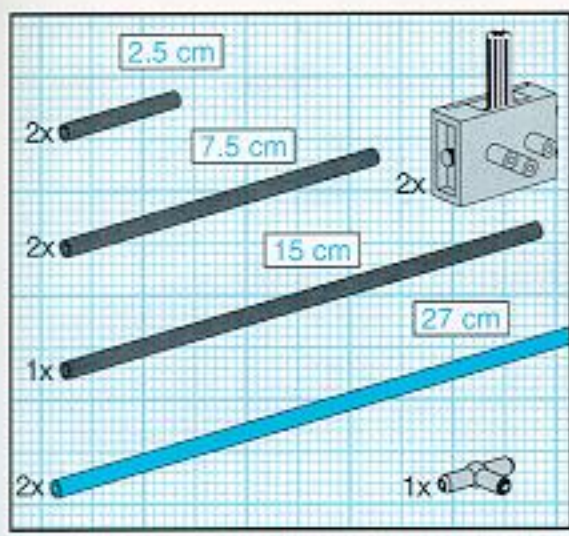


7



8





9

1

15 cm

2.5 cm

2.5 cm

2

27 cm

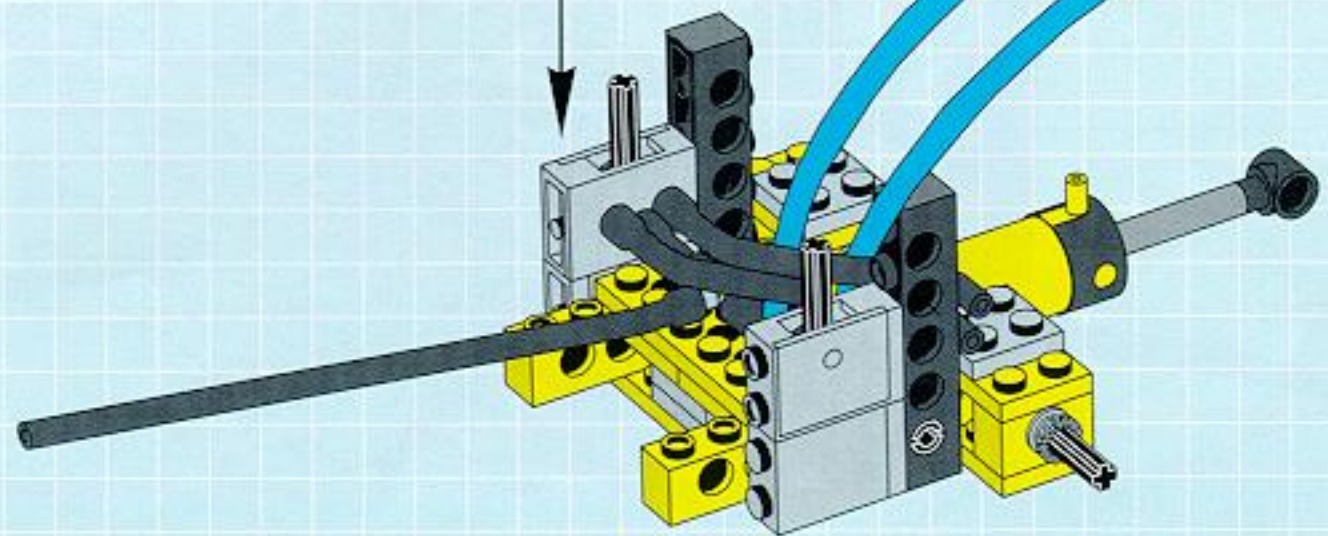
27 cm

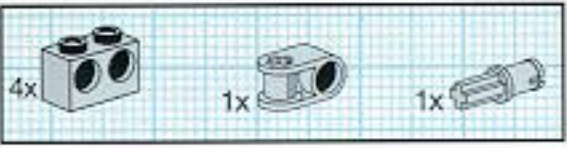
3

4

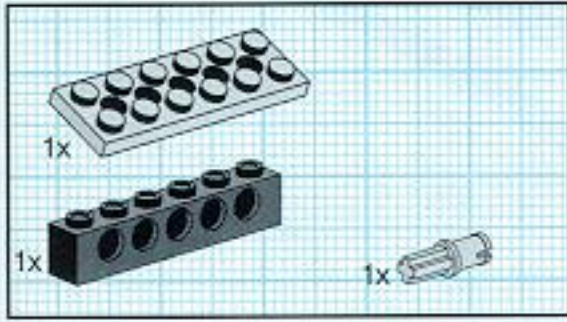
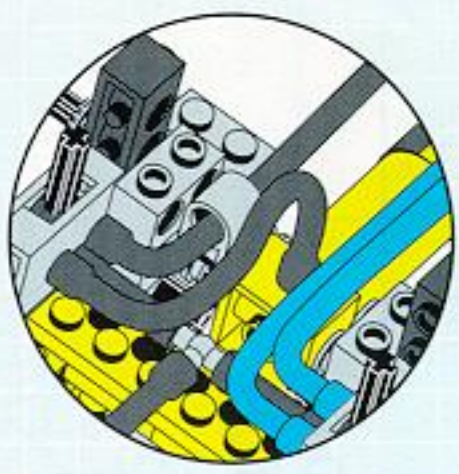
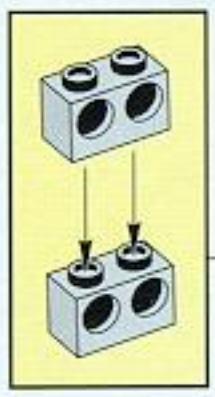
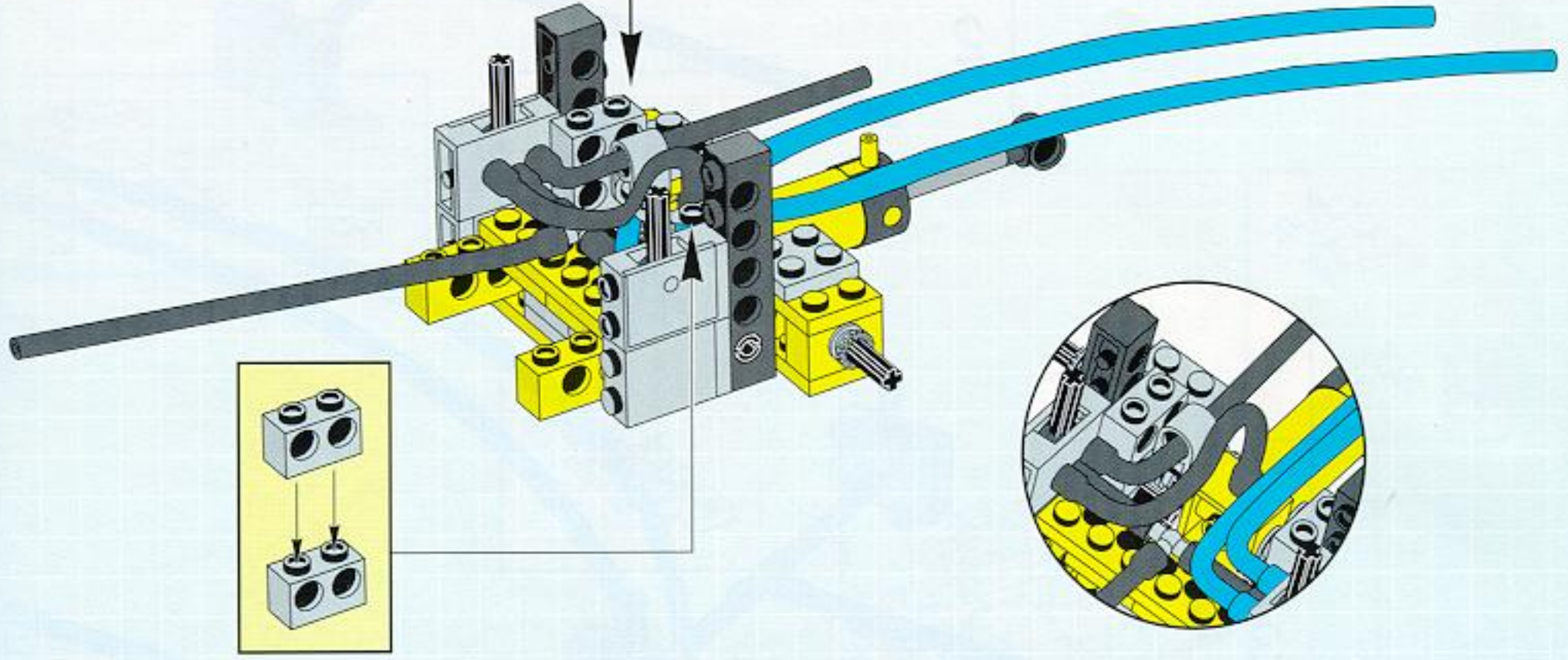
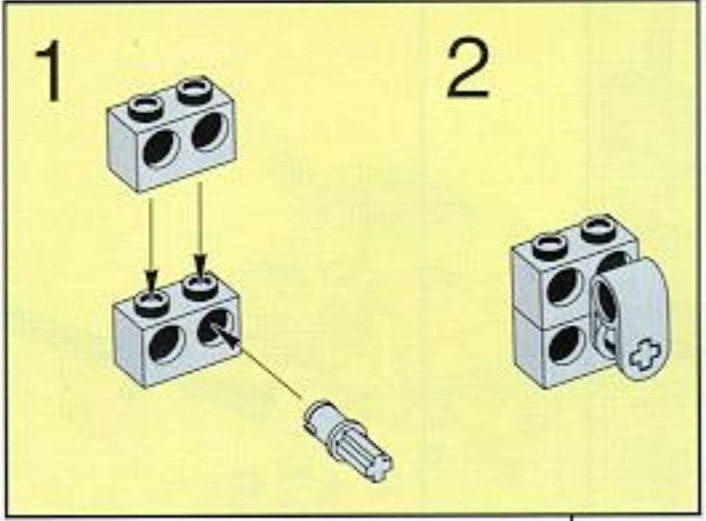
7.5 cm

7.5 cm

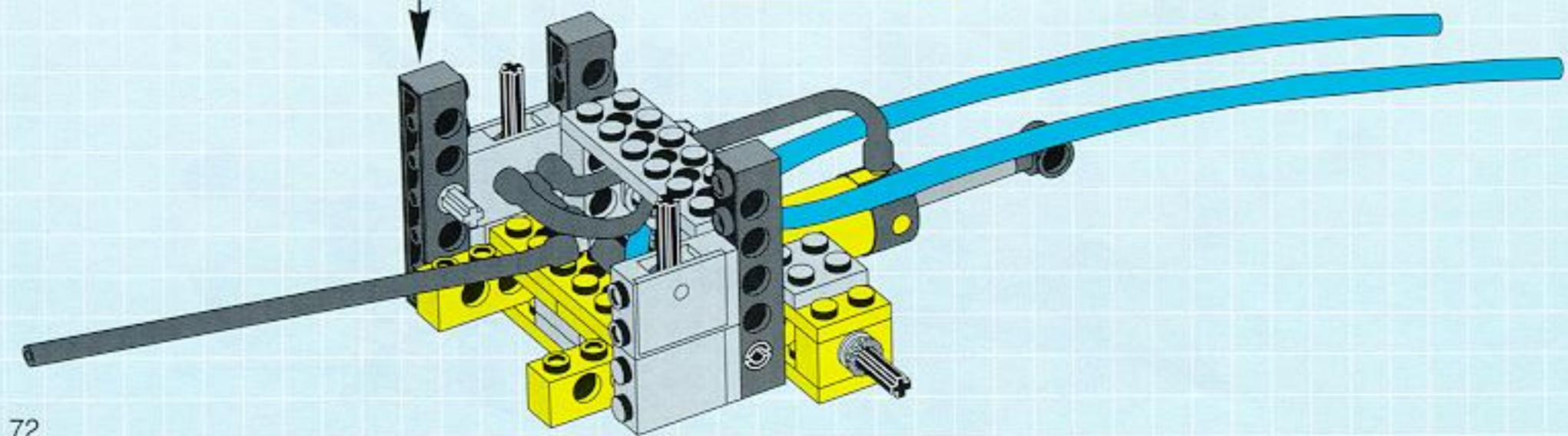
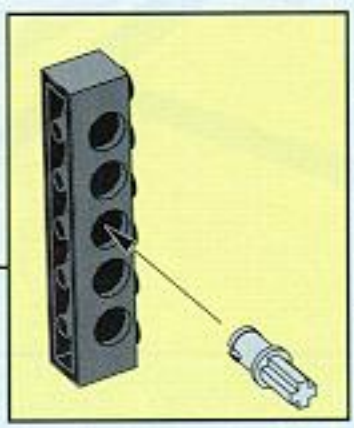




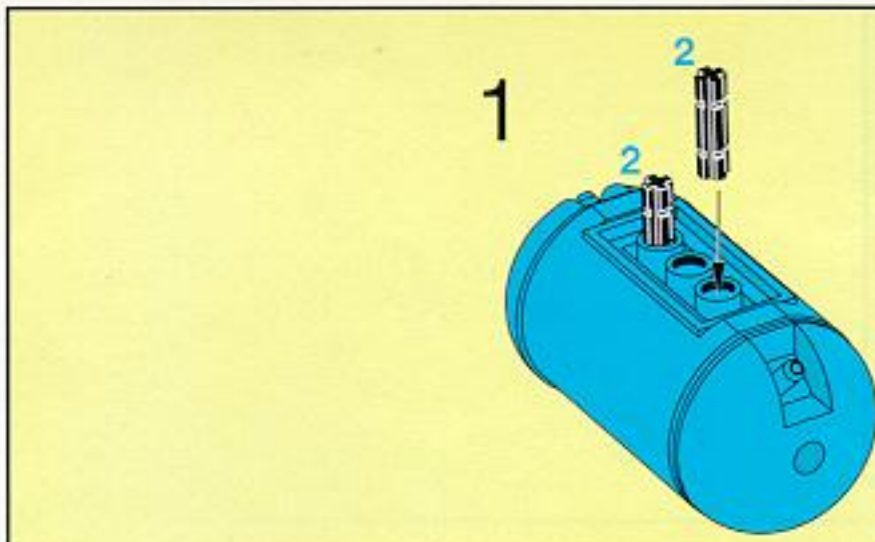
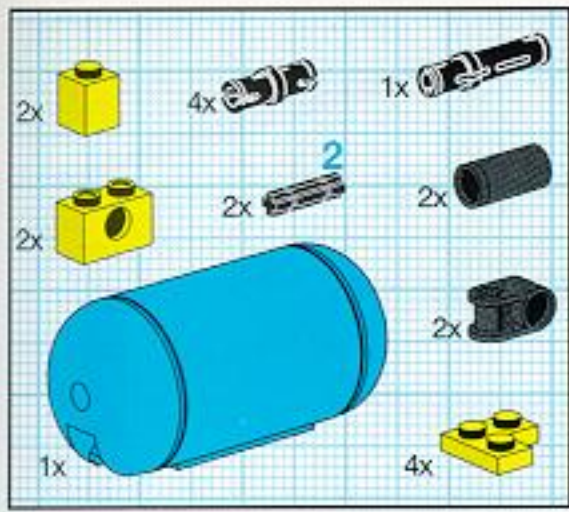
10



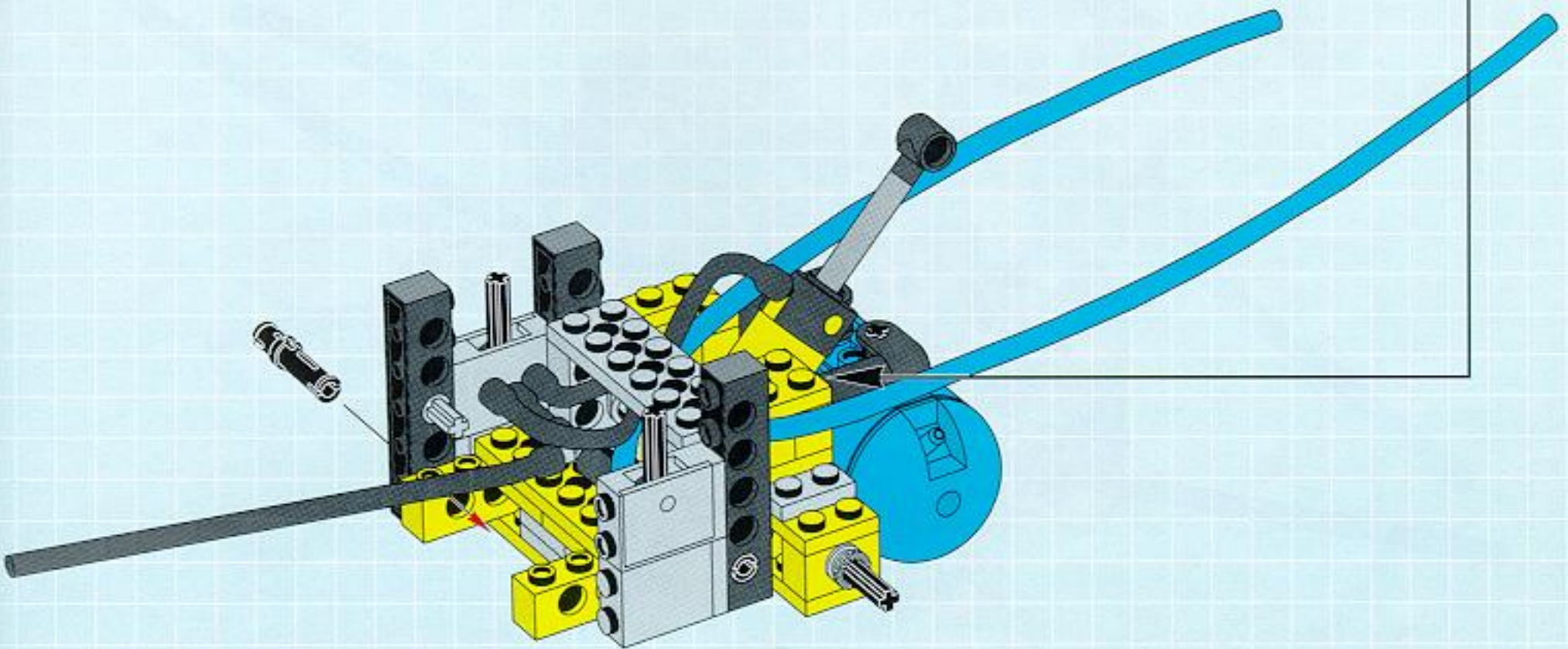
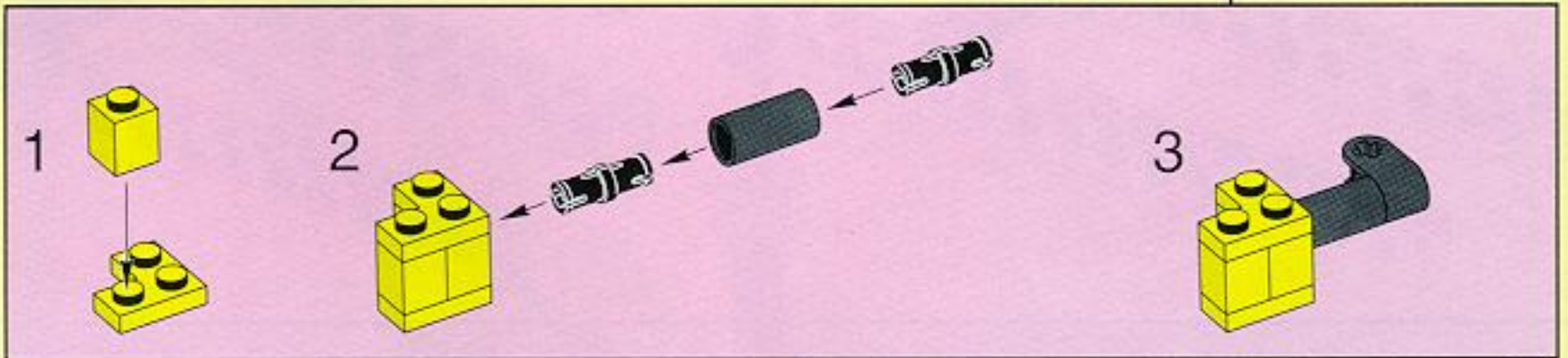
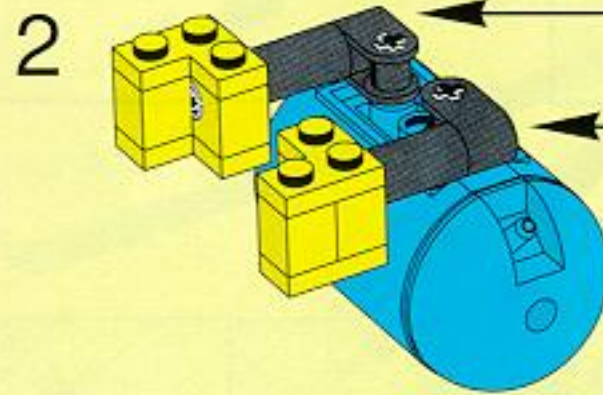
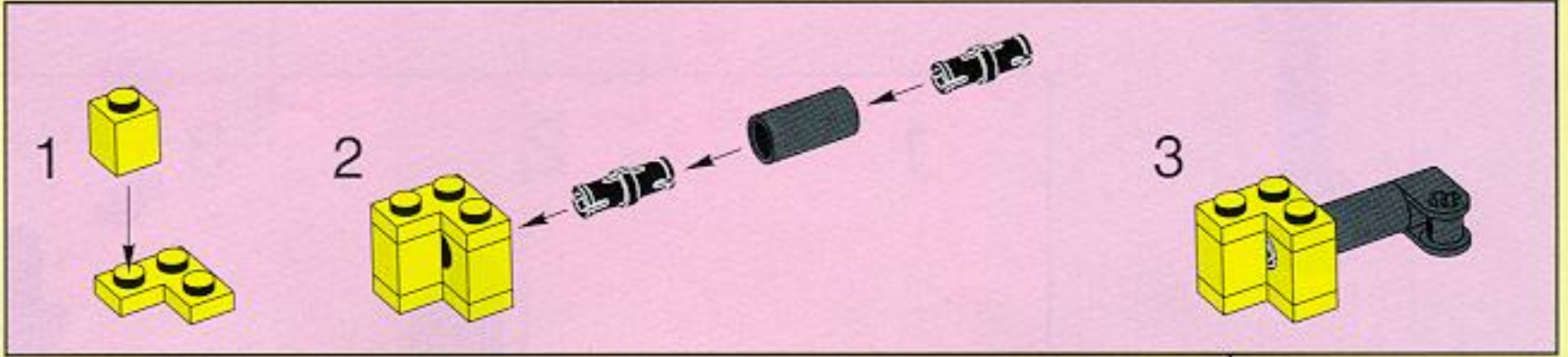
11

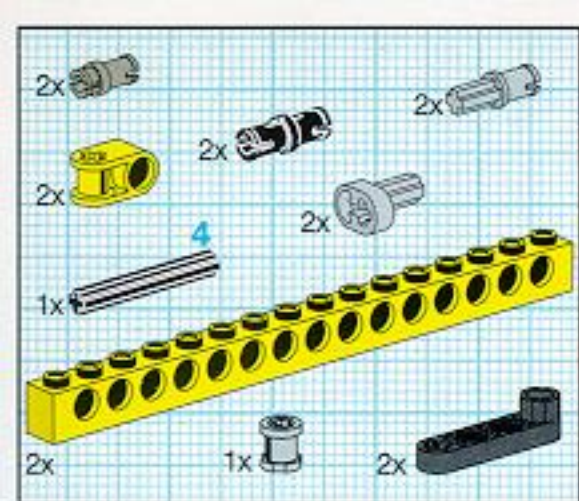




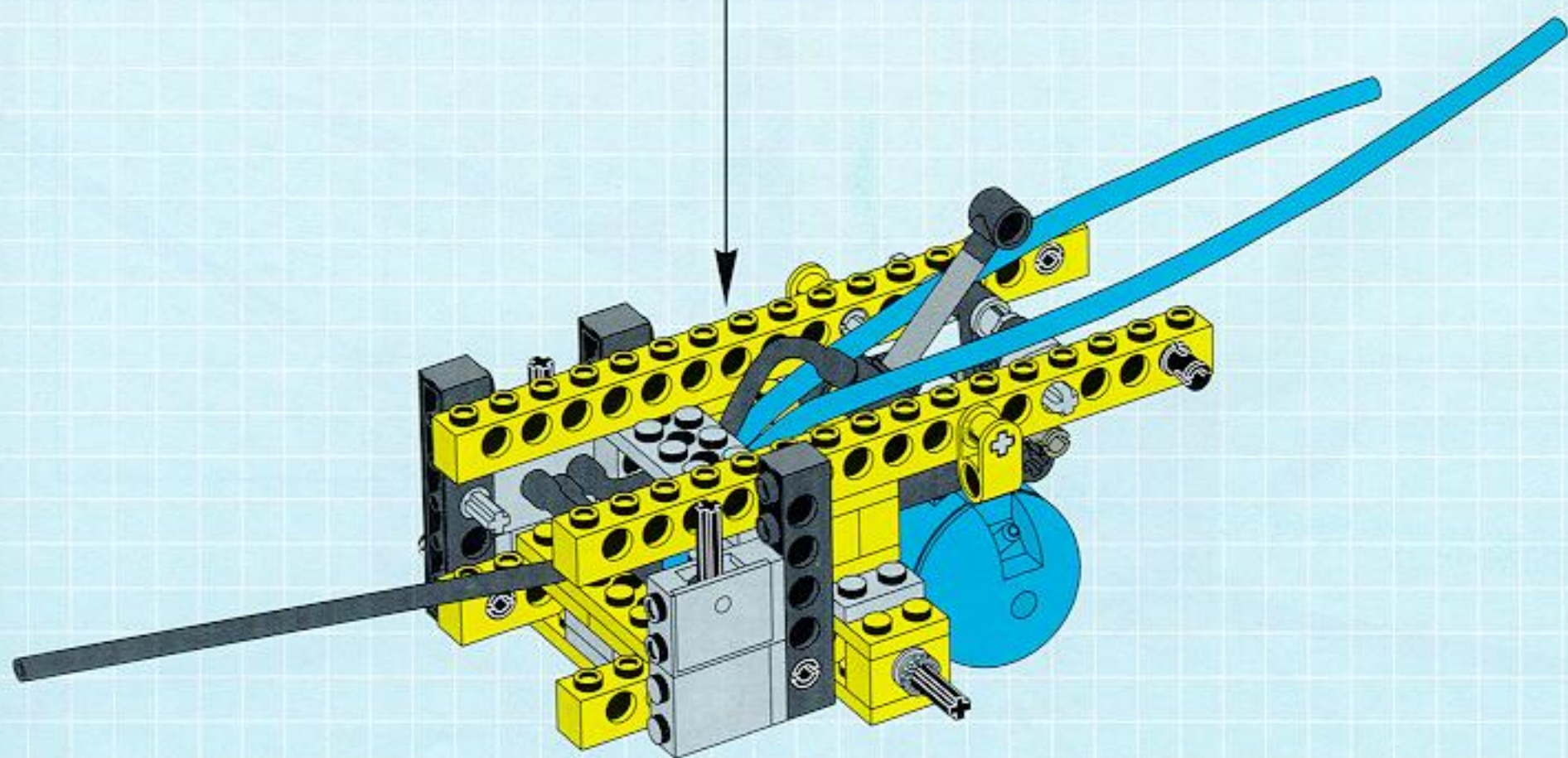
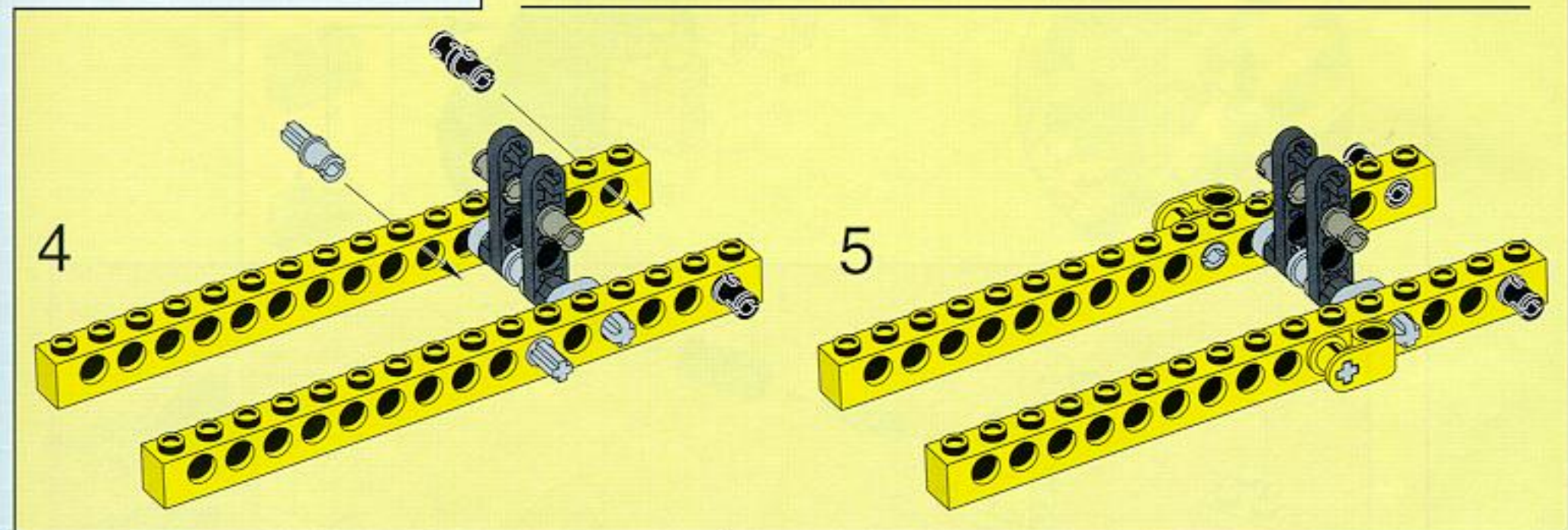
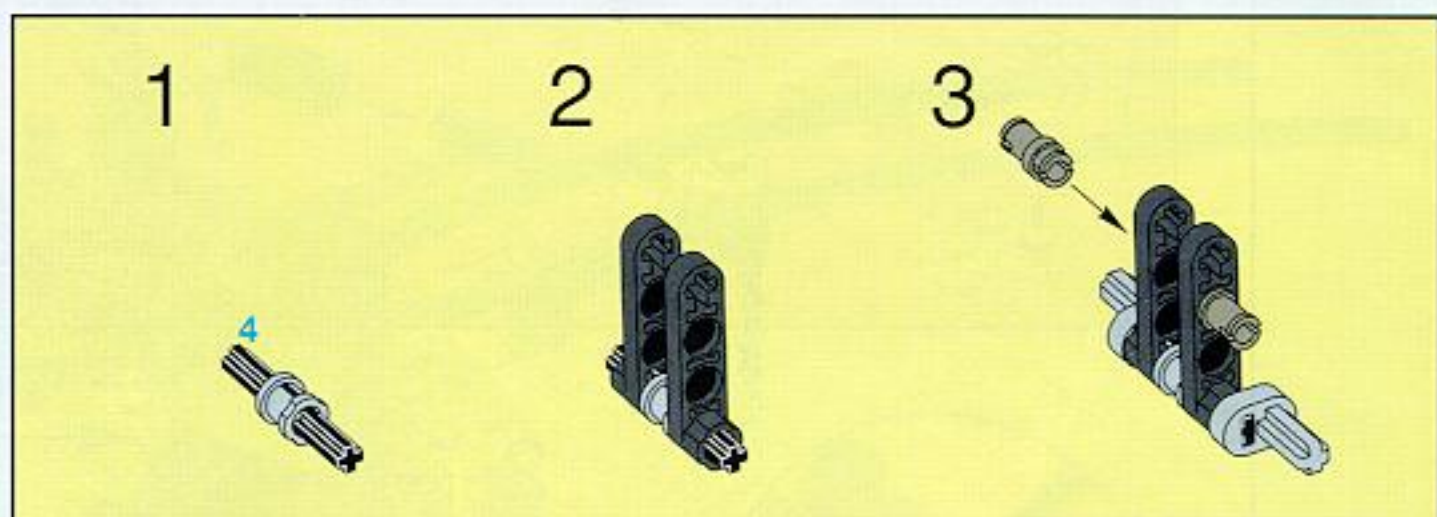


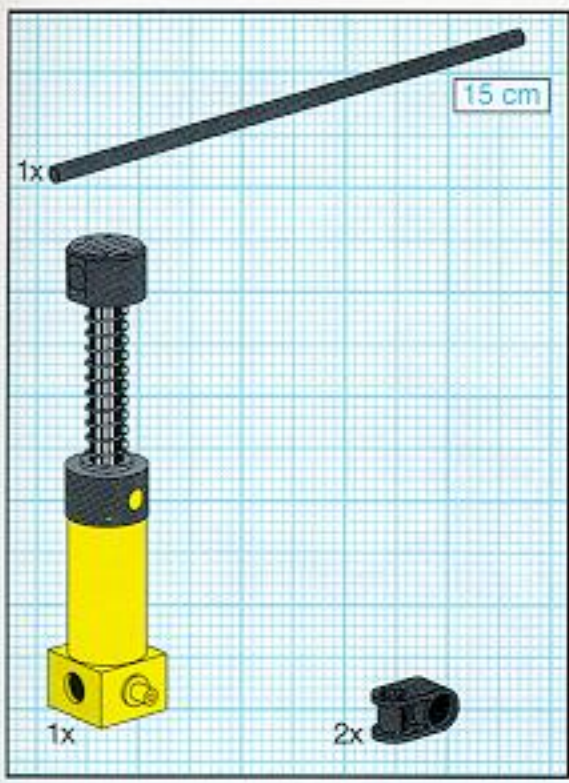
12



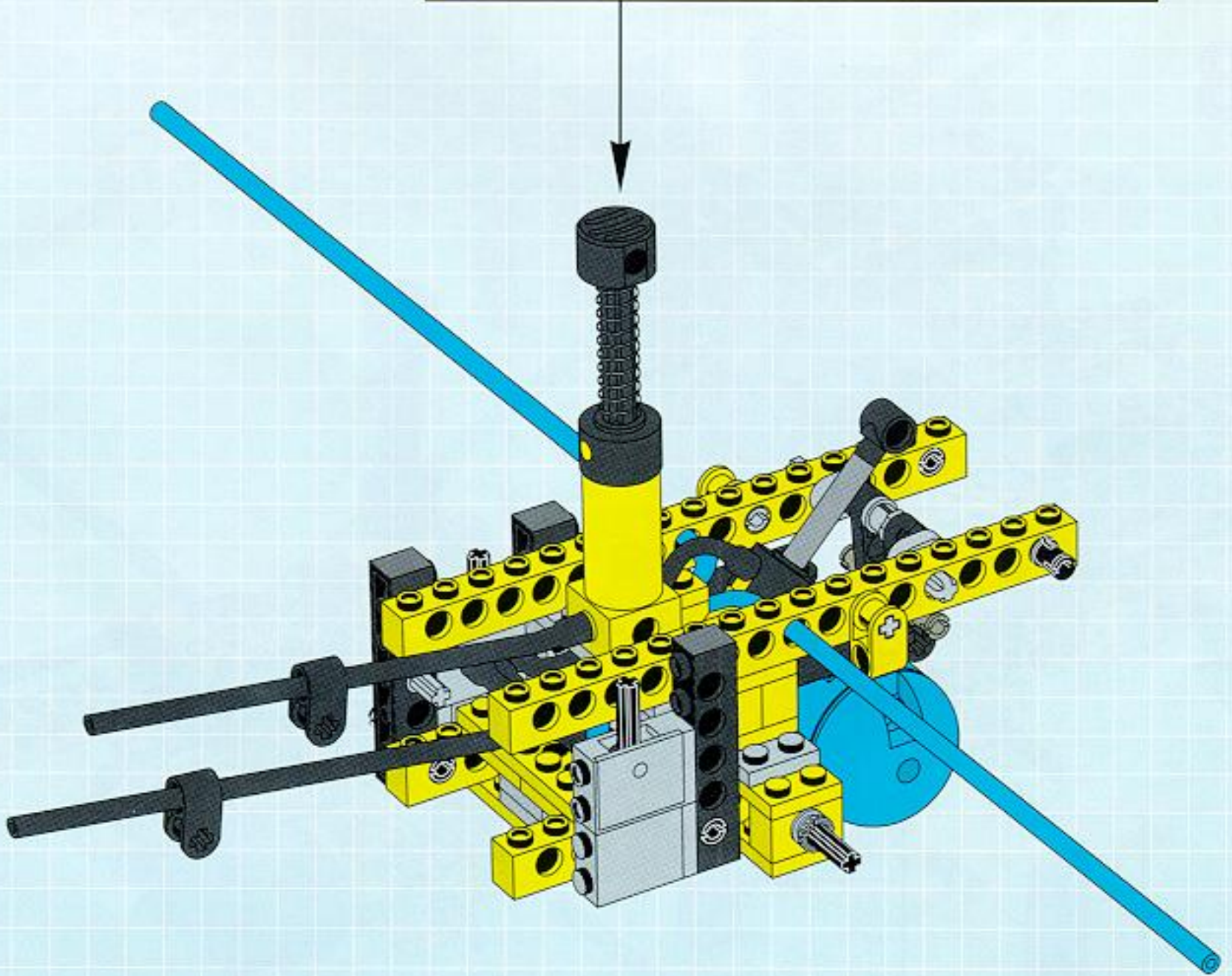
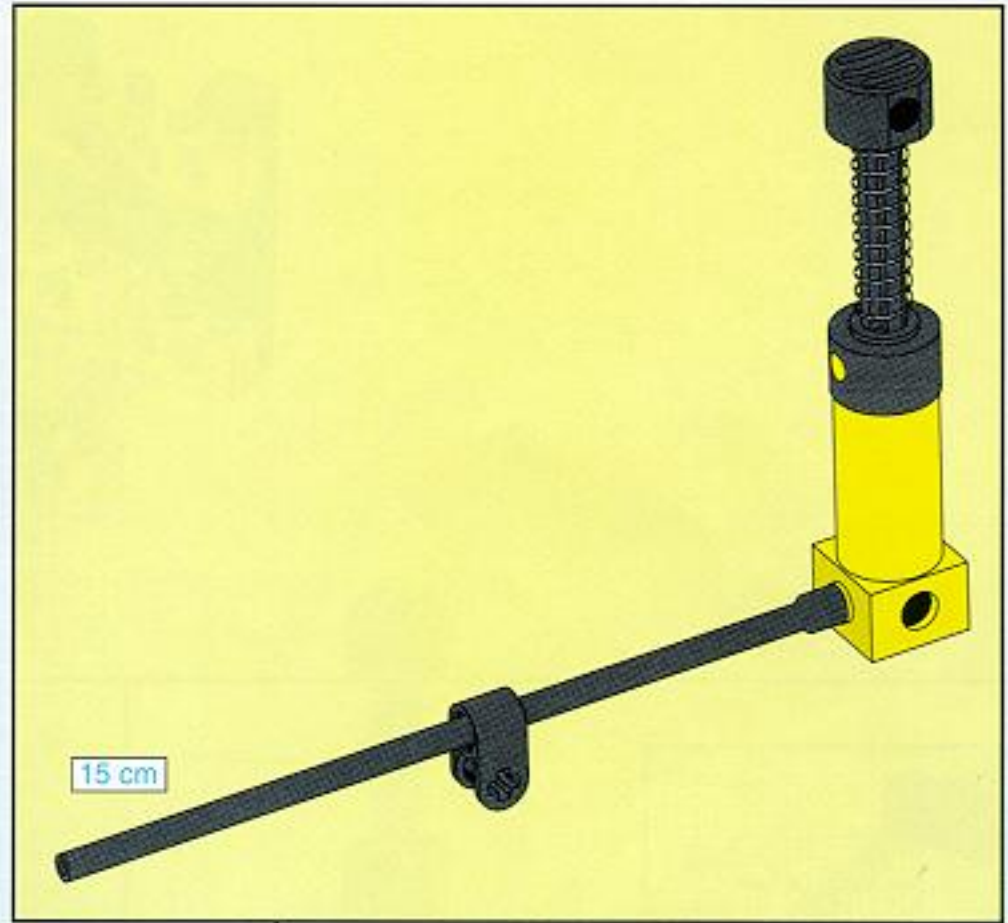


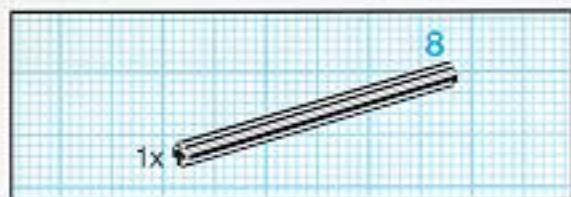
# 13



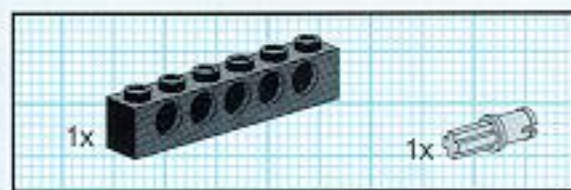
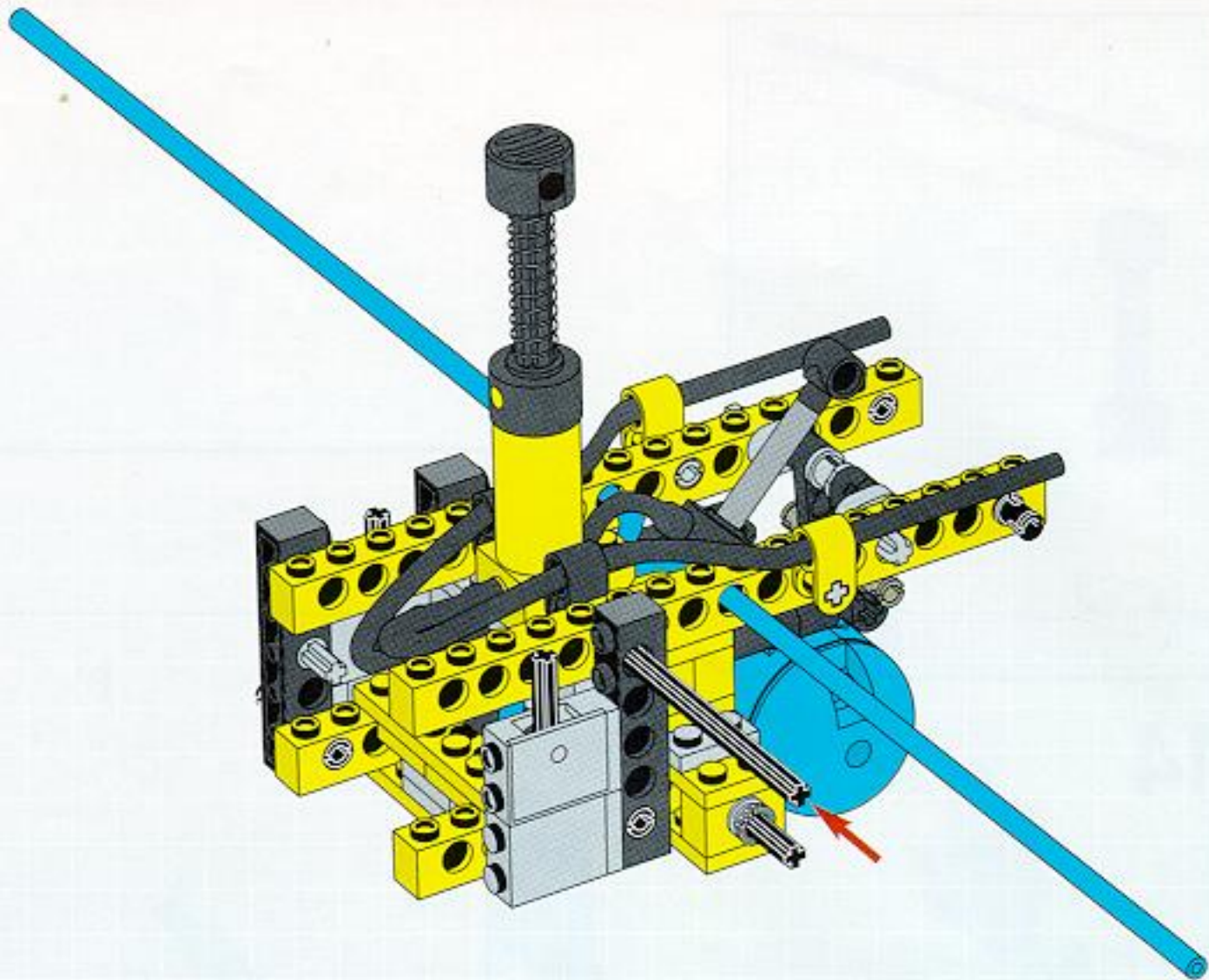


14

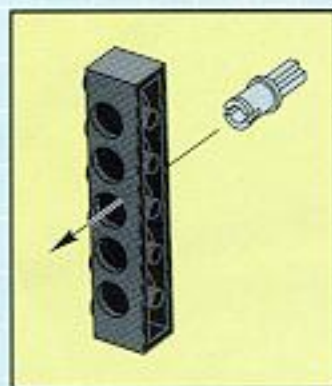
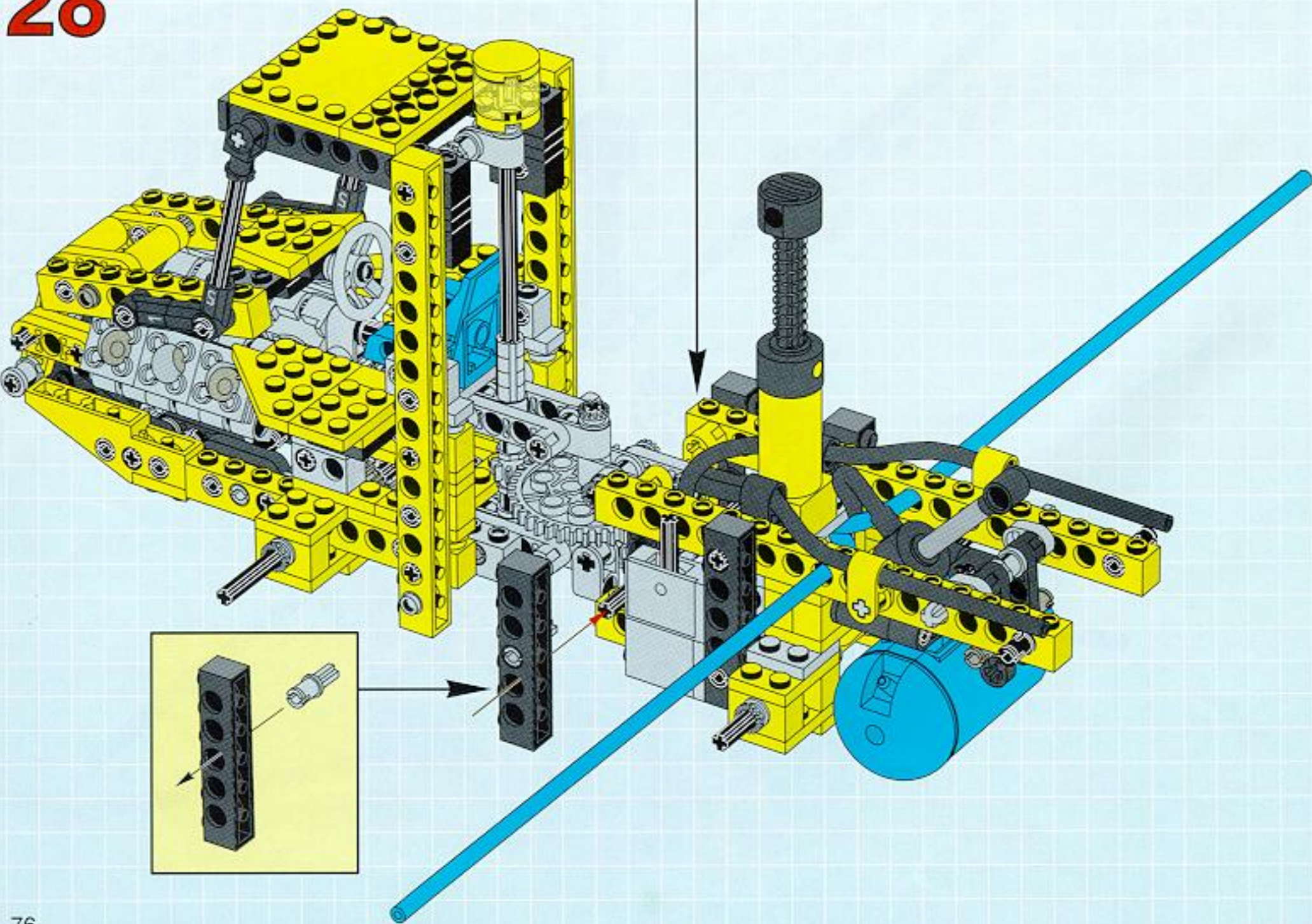


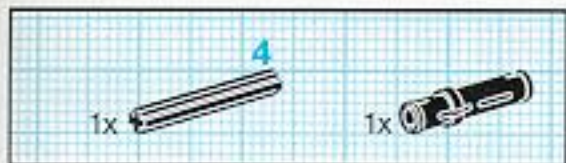


15

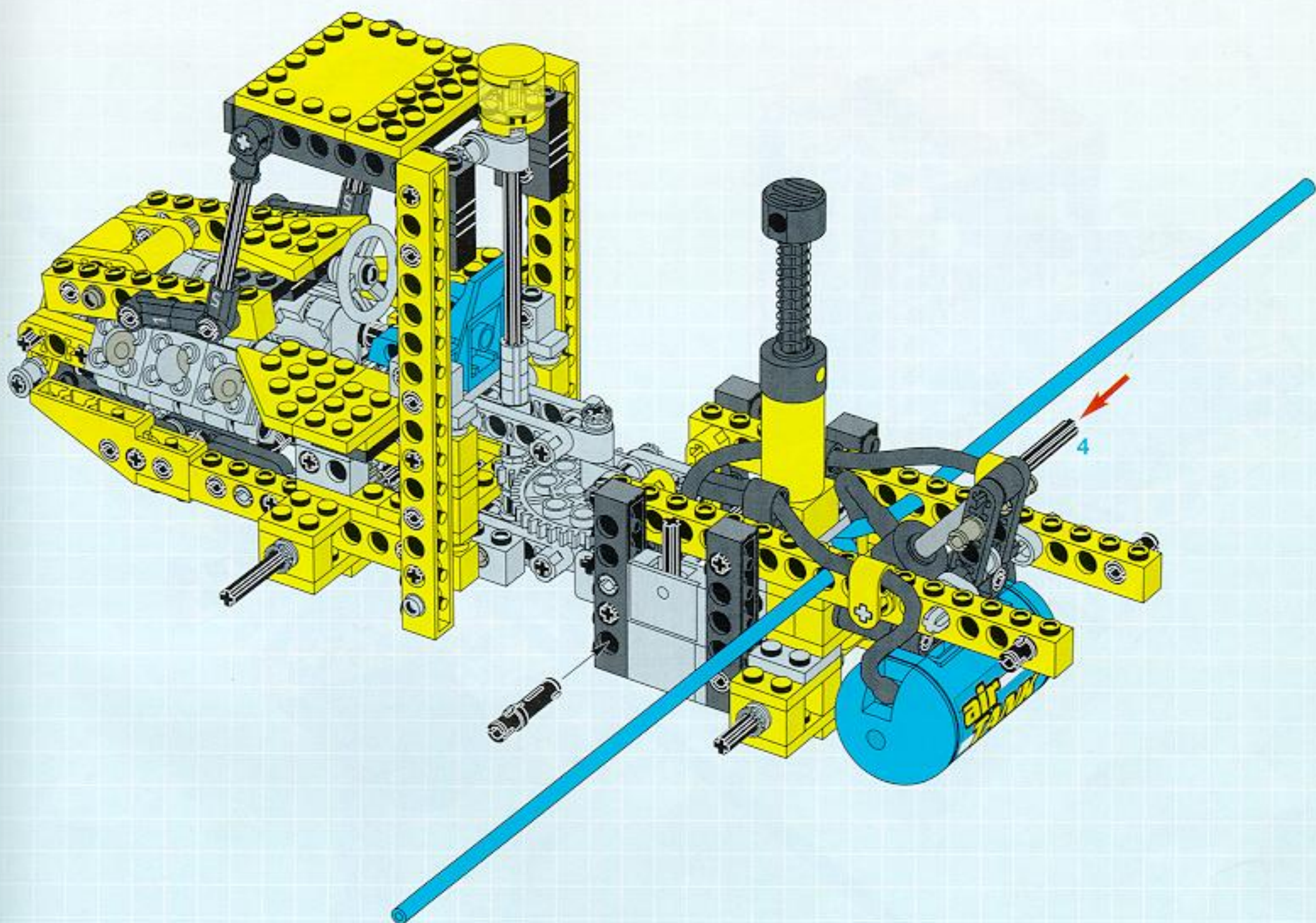


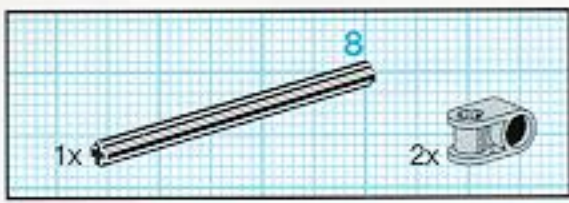
28



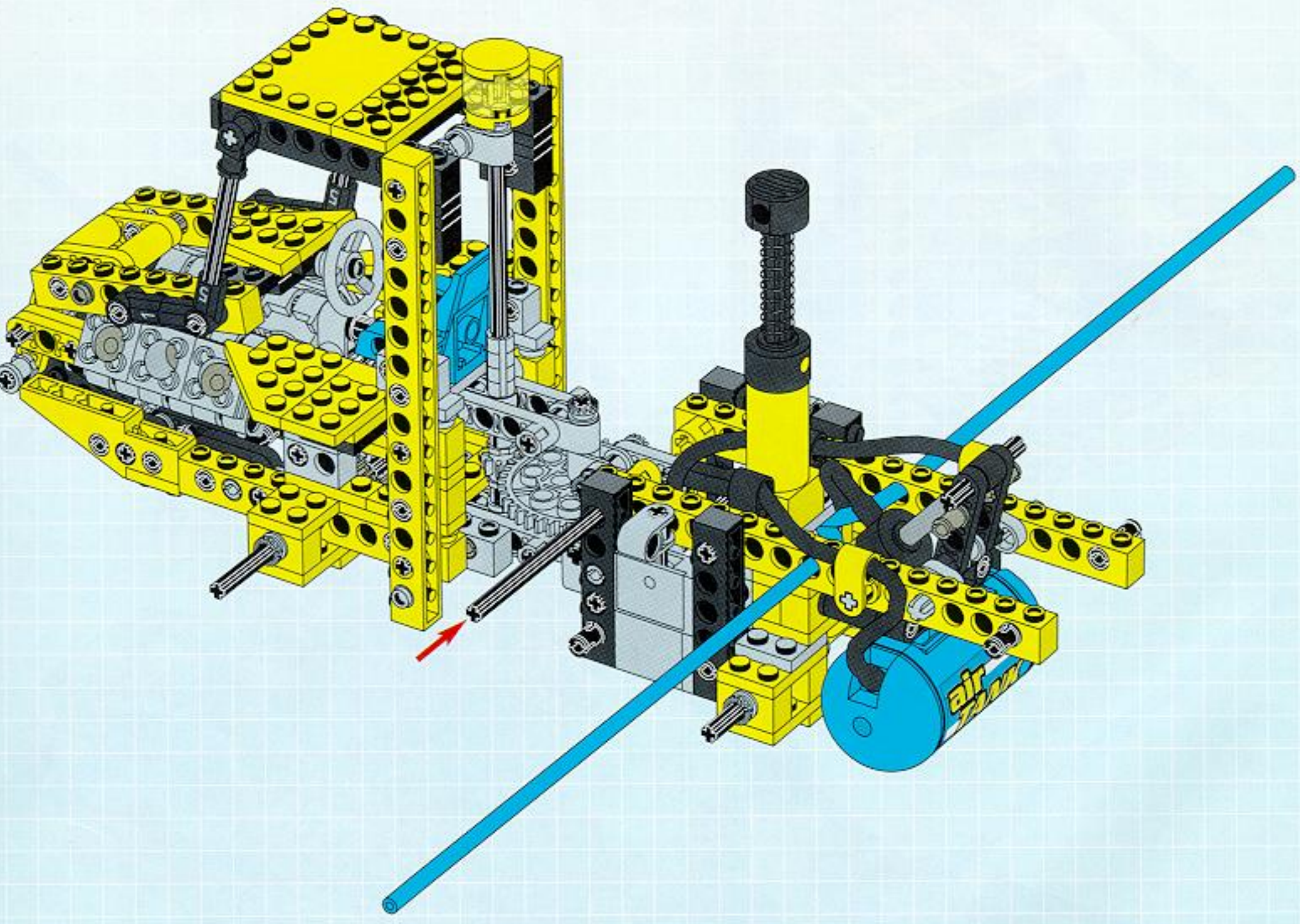


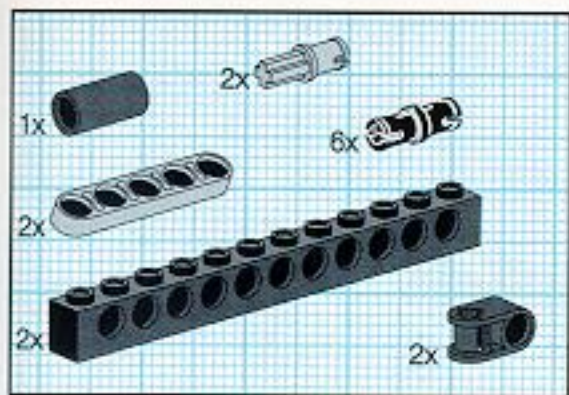
29



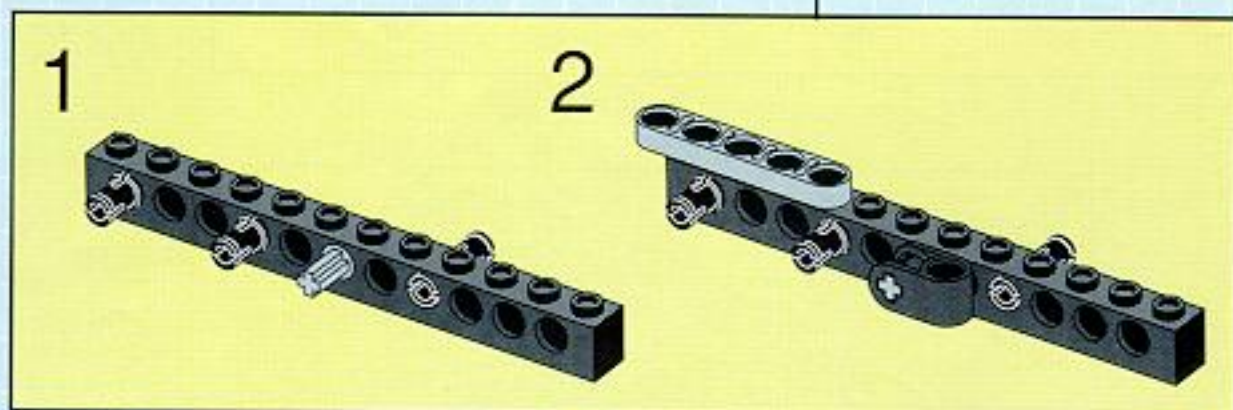
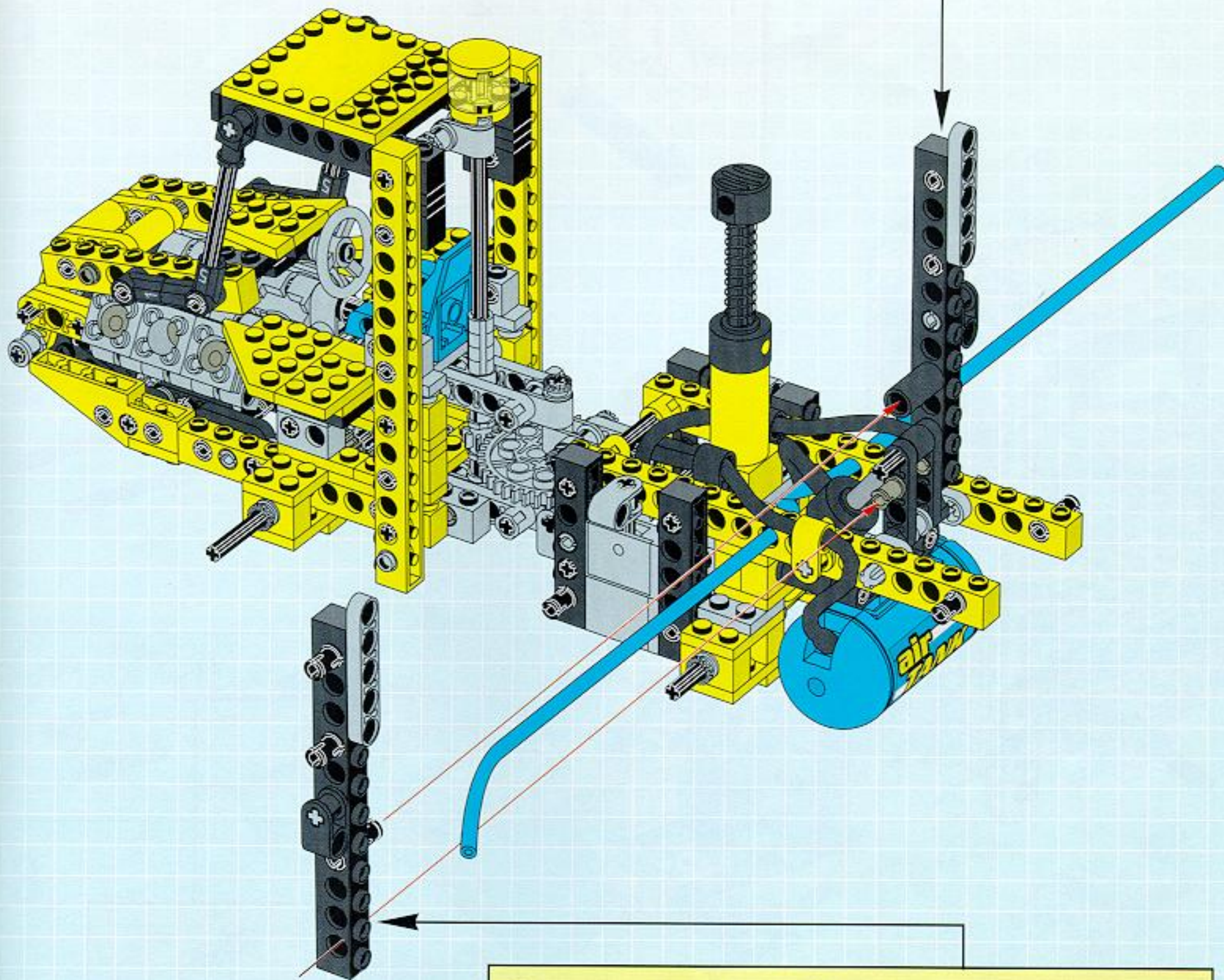
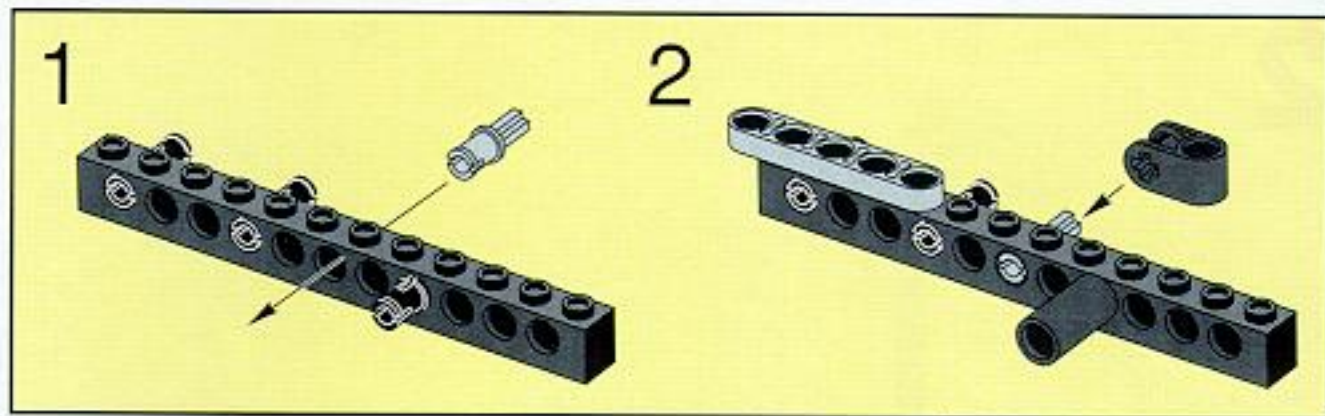


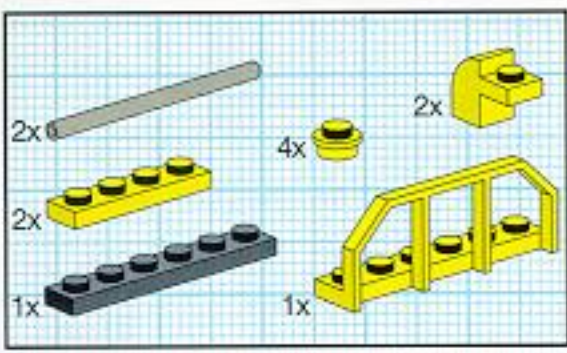
30



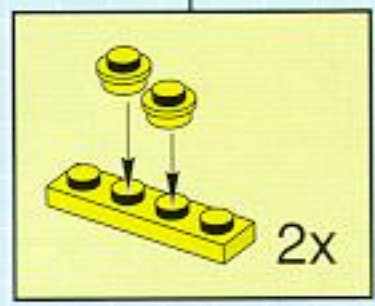
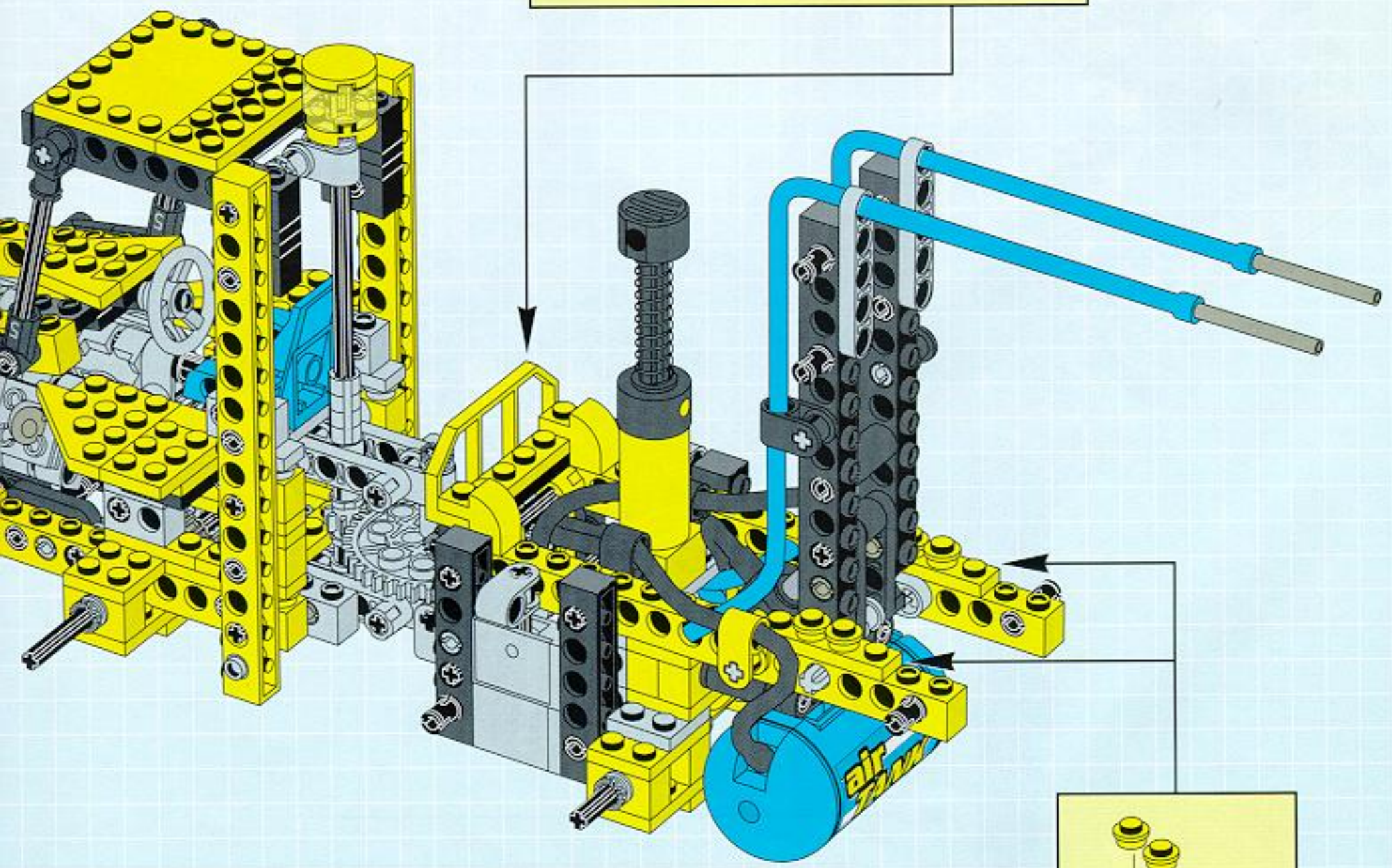
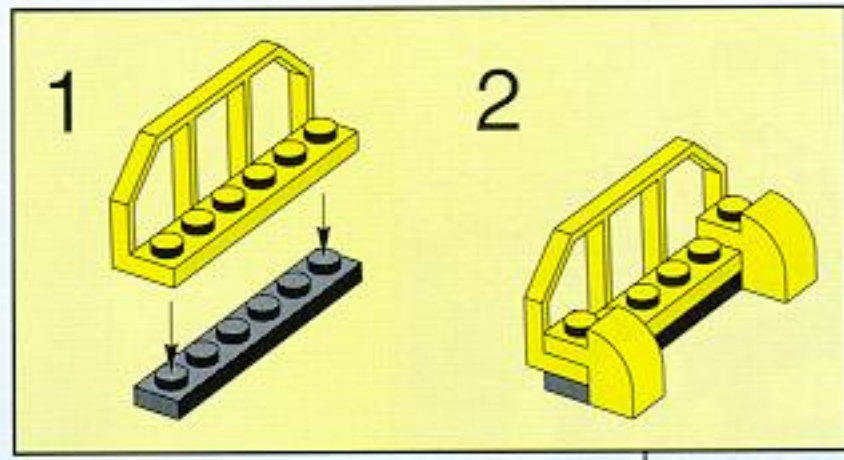


31

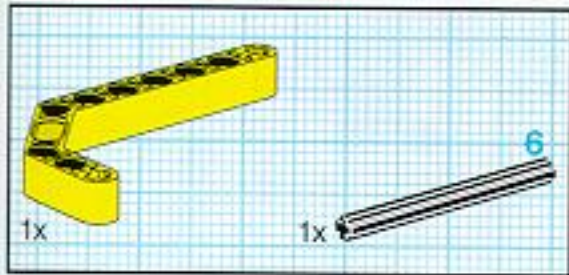
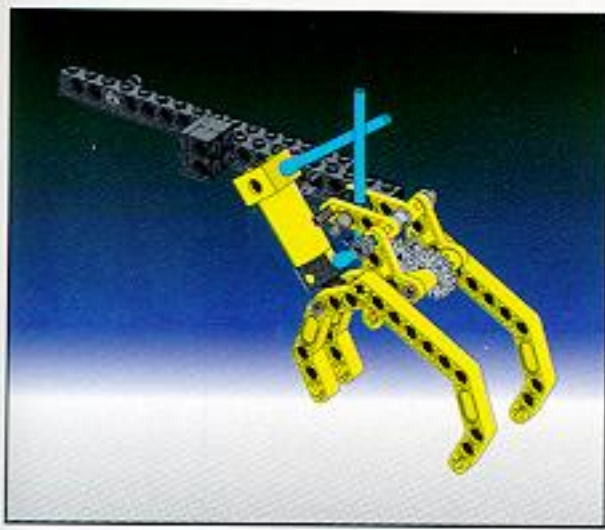




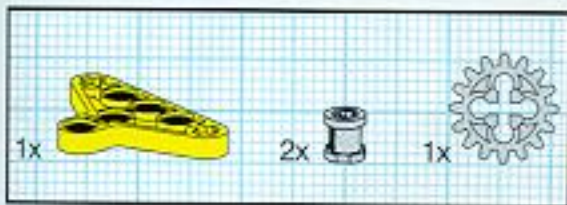
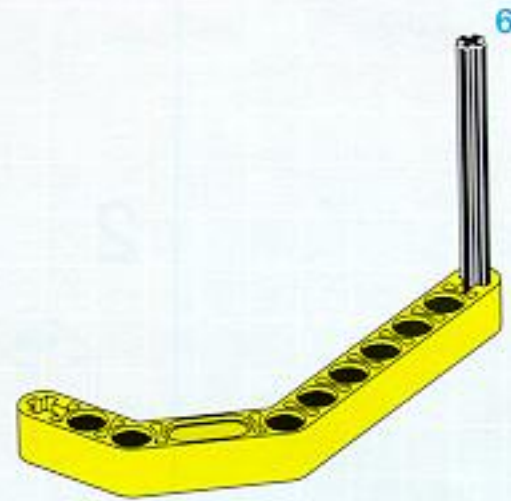
32



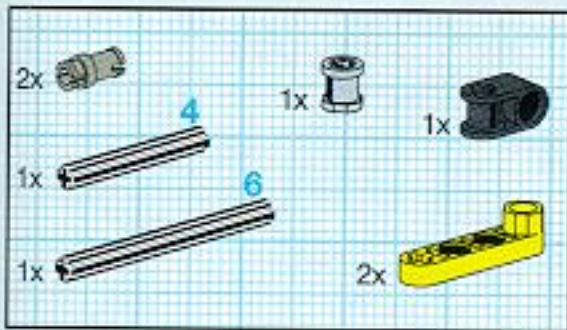
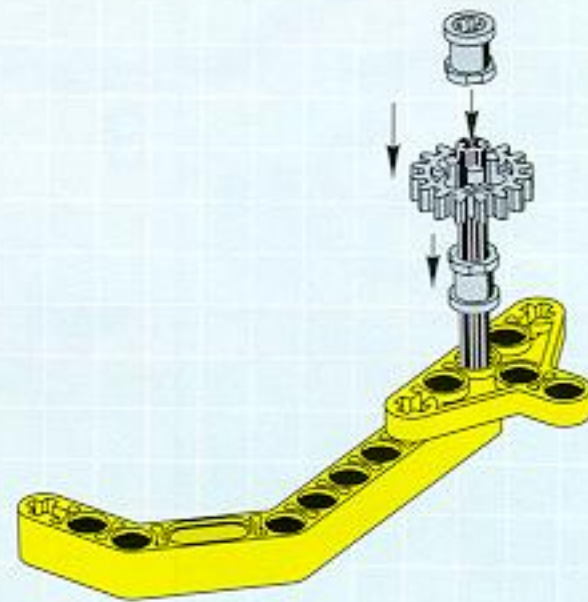




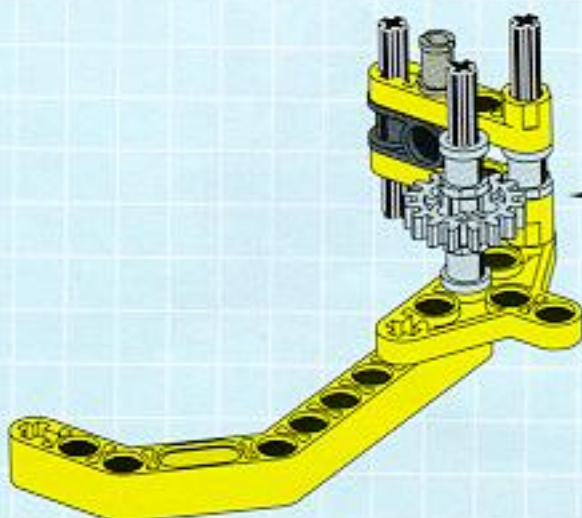
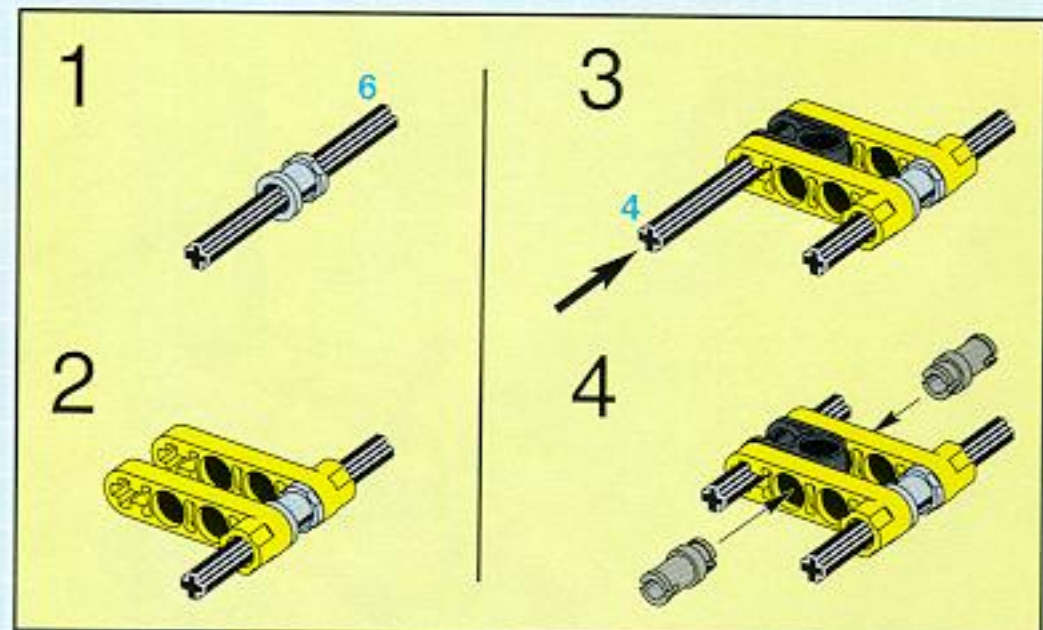
1

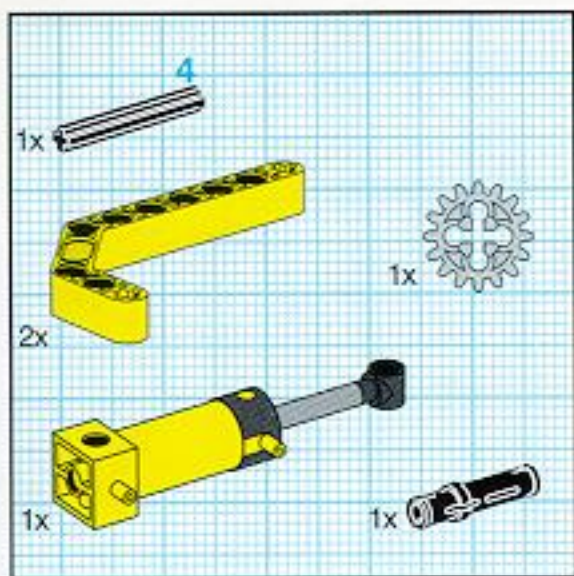


2

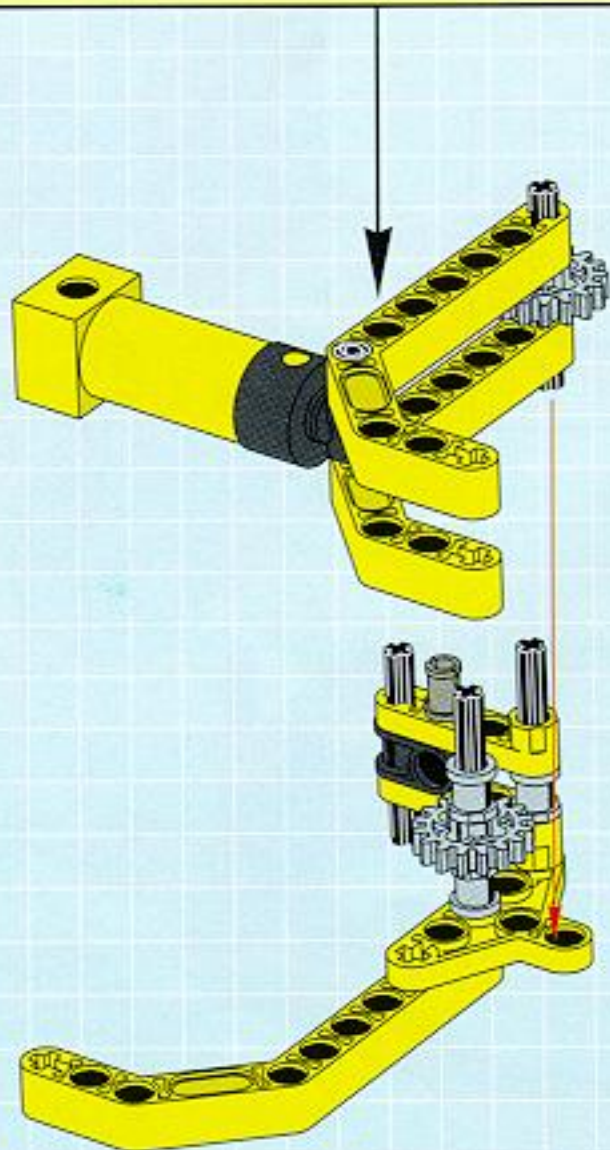
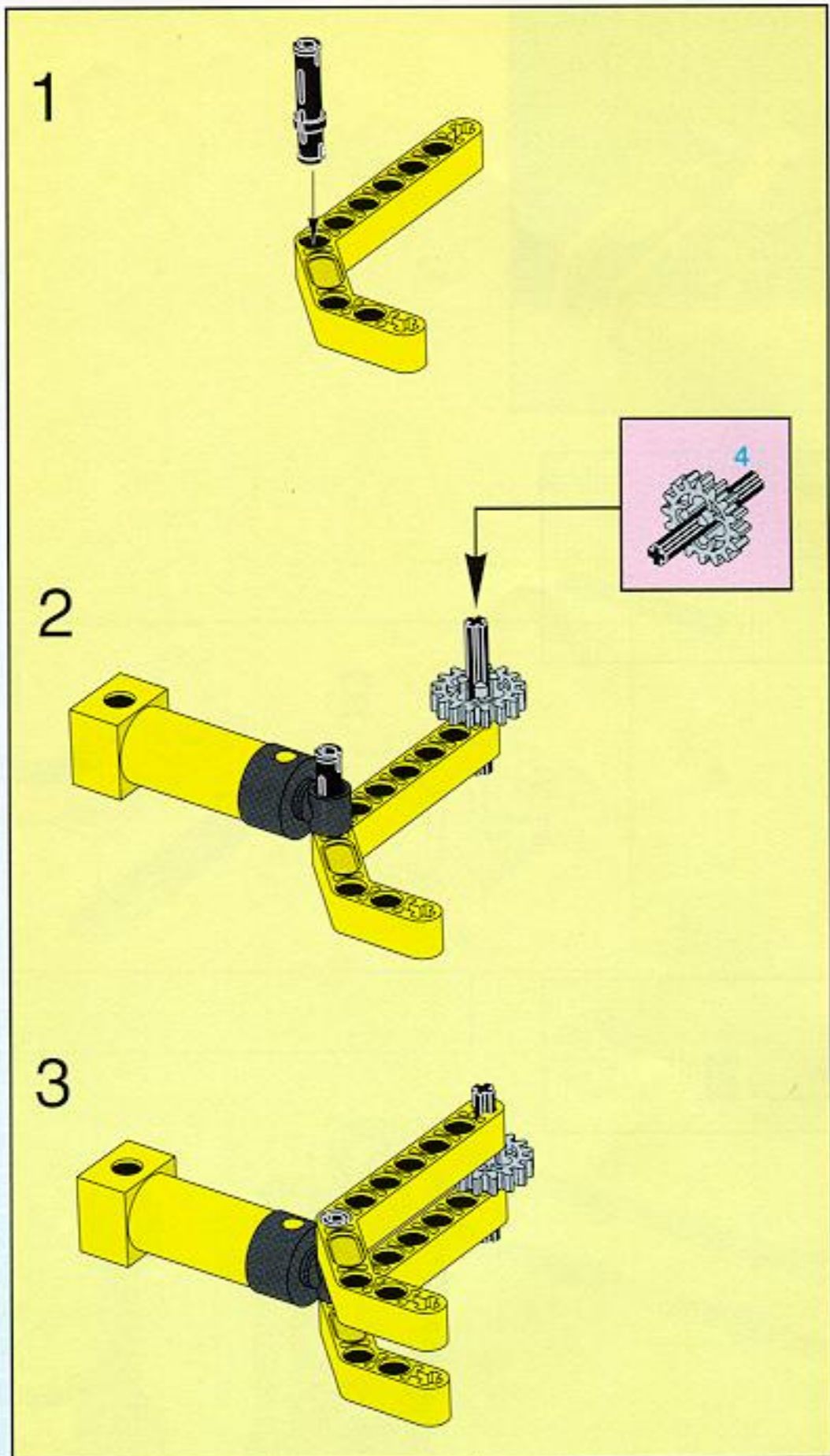


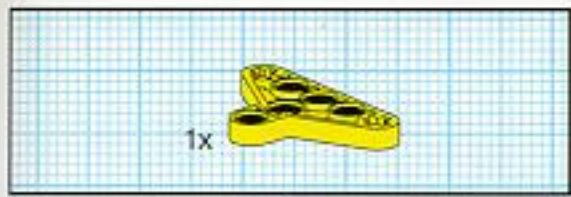
3



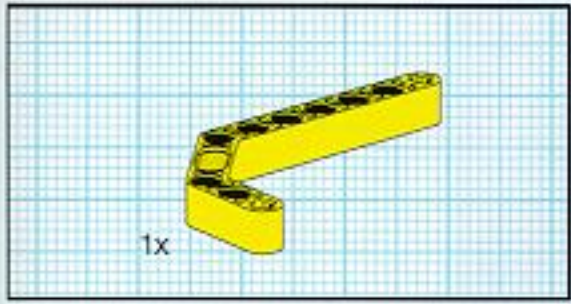
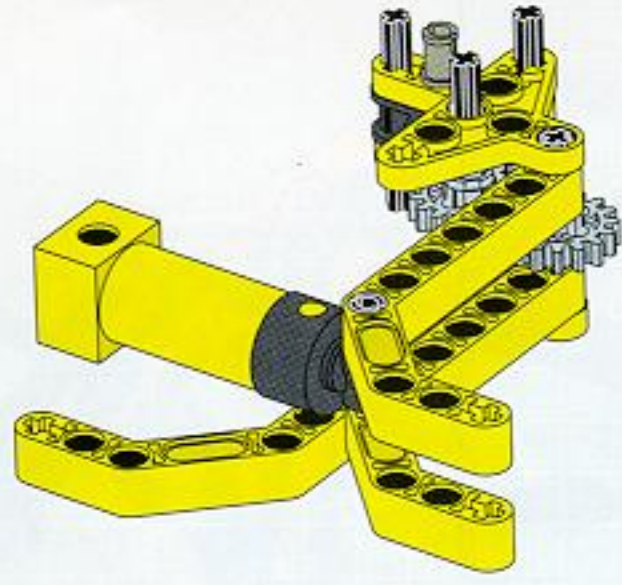


4

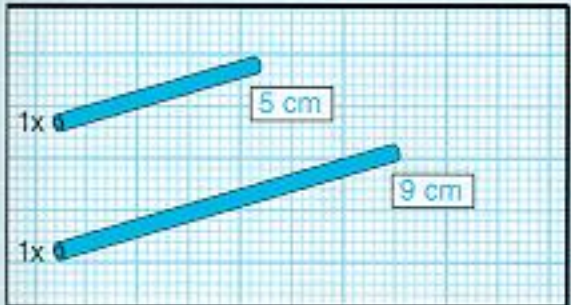
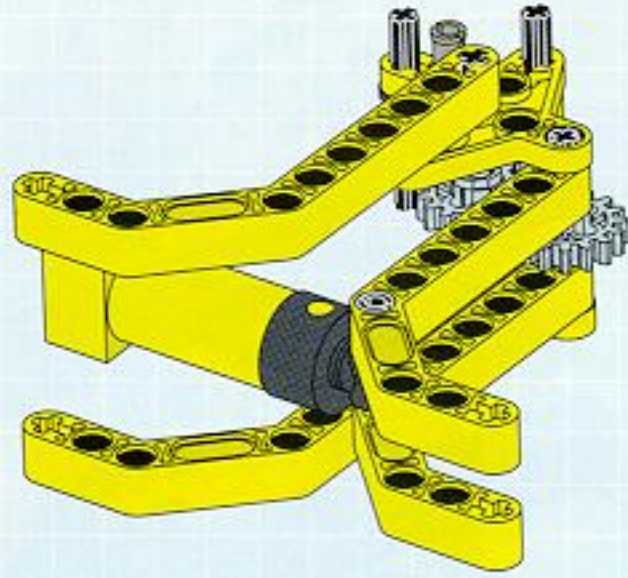




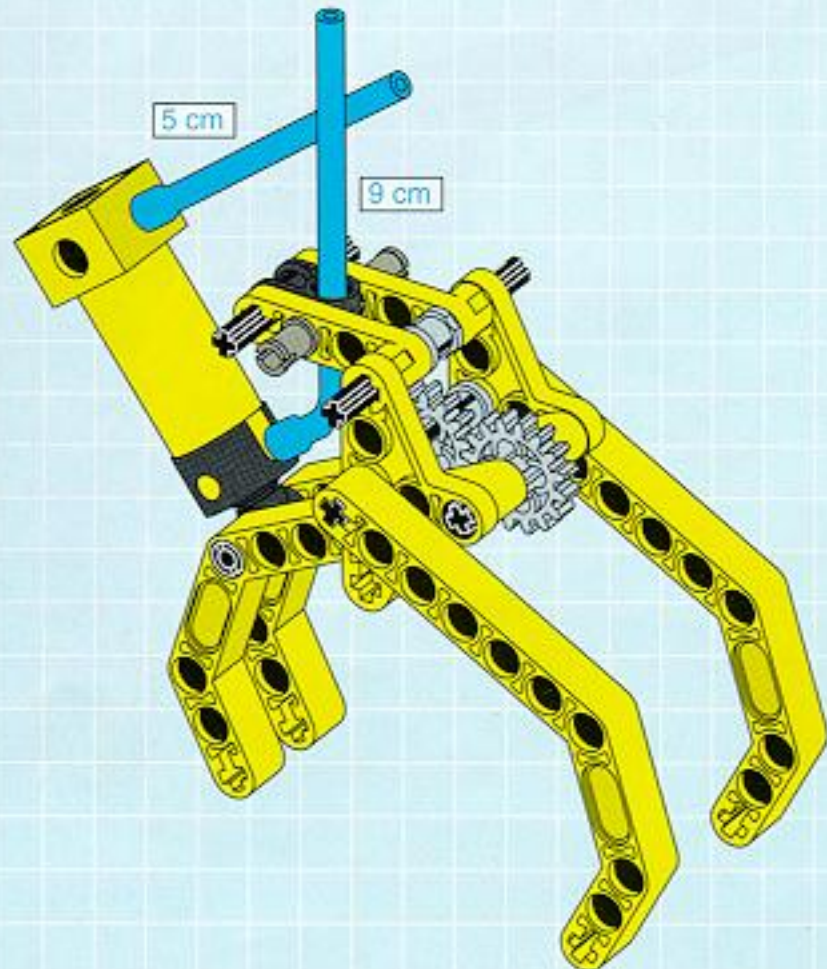
5

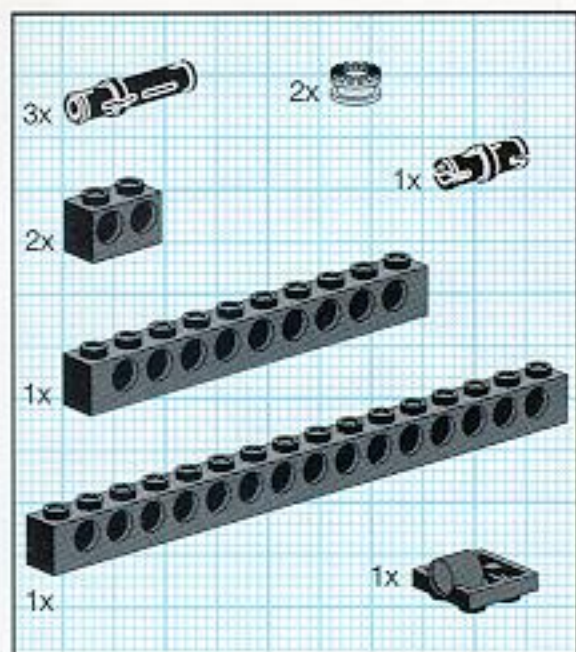


6

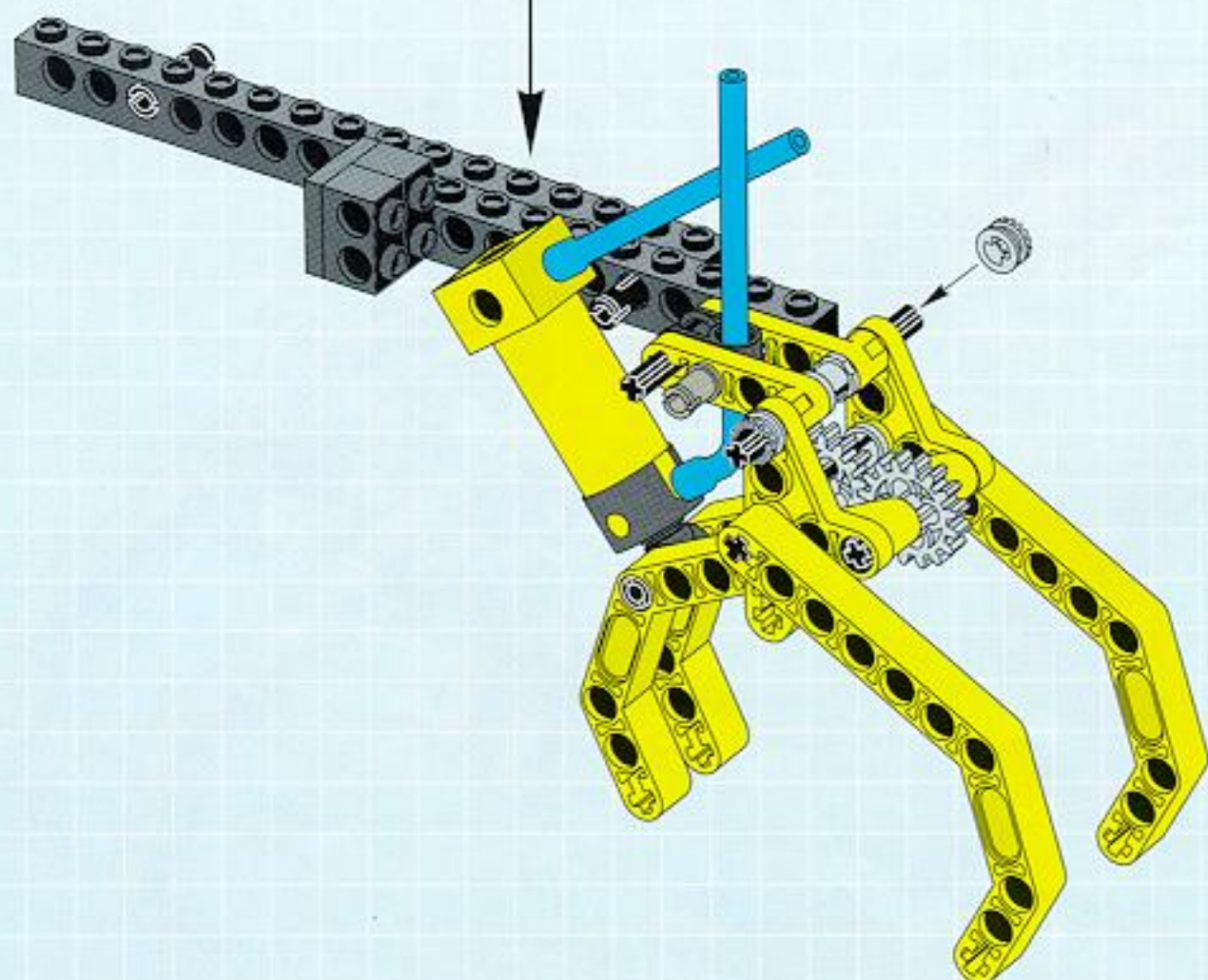
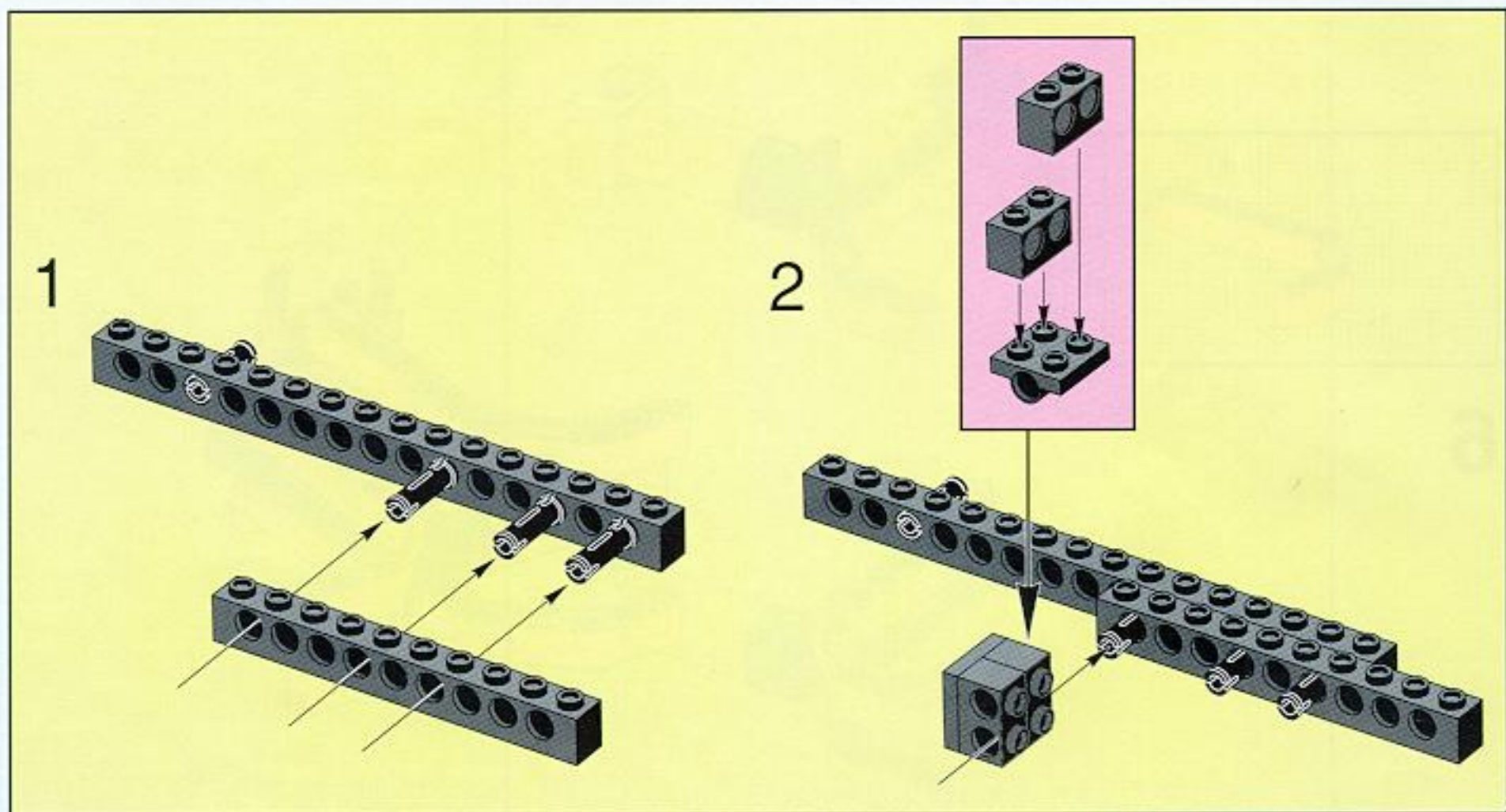


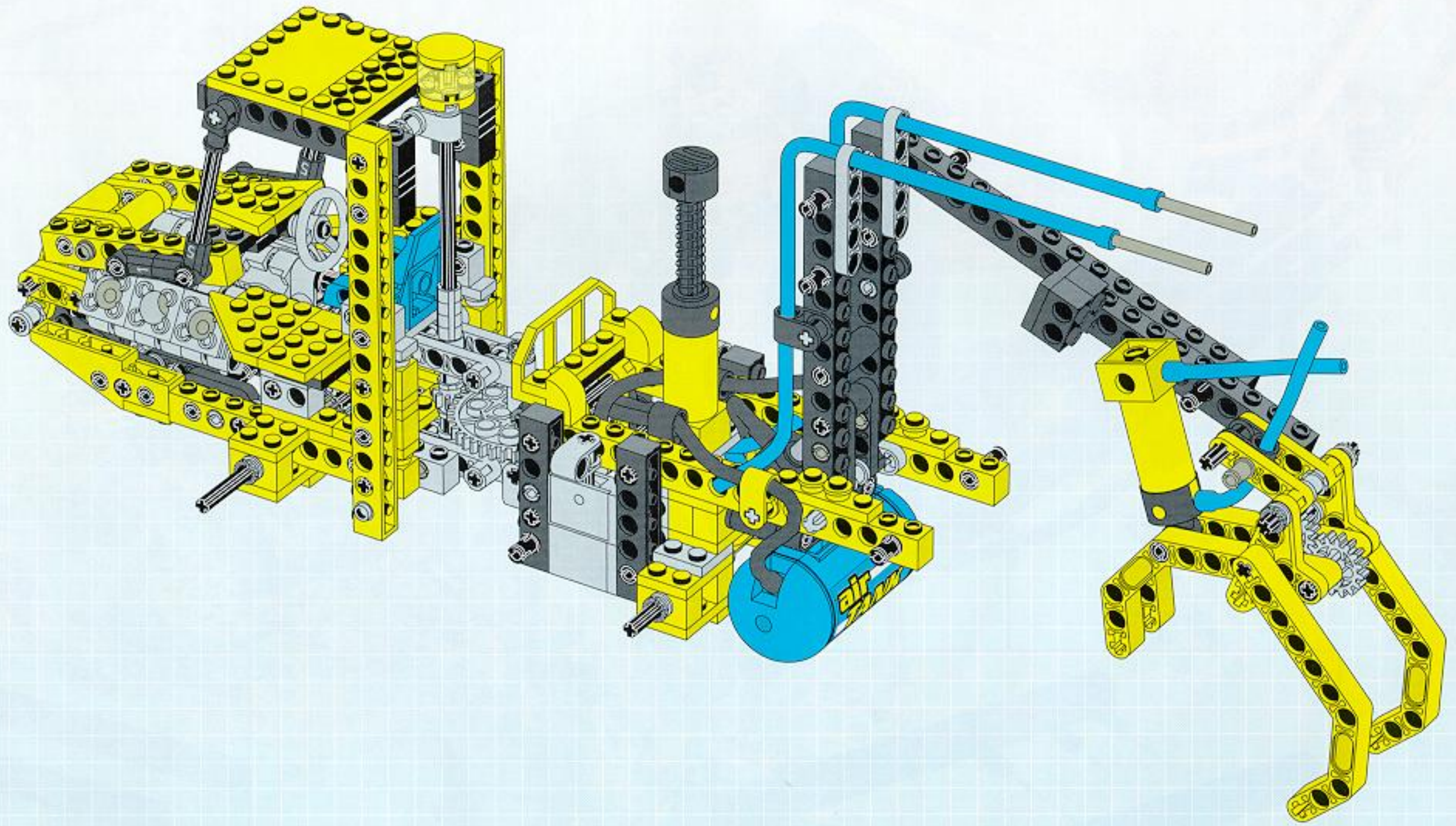
7

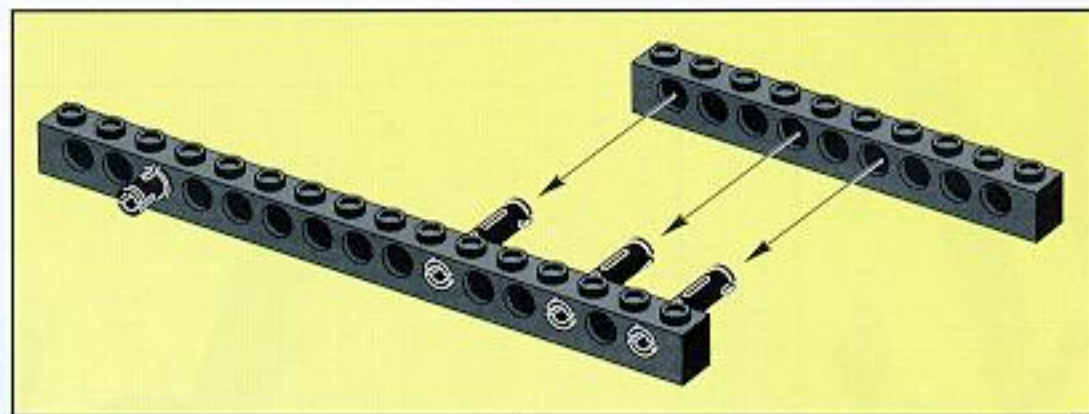
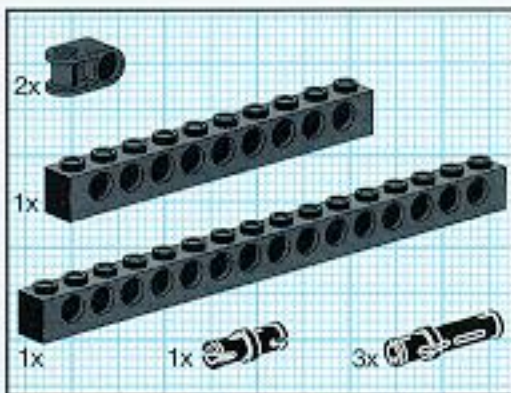




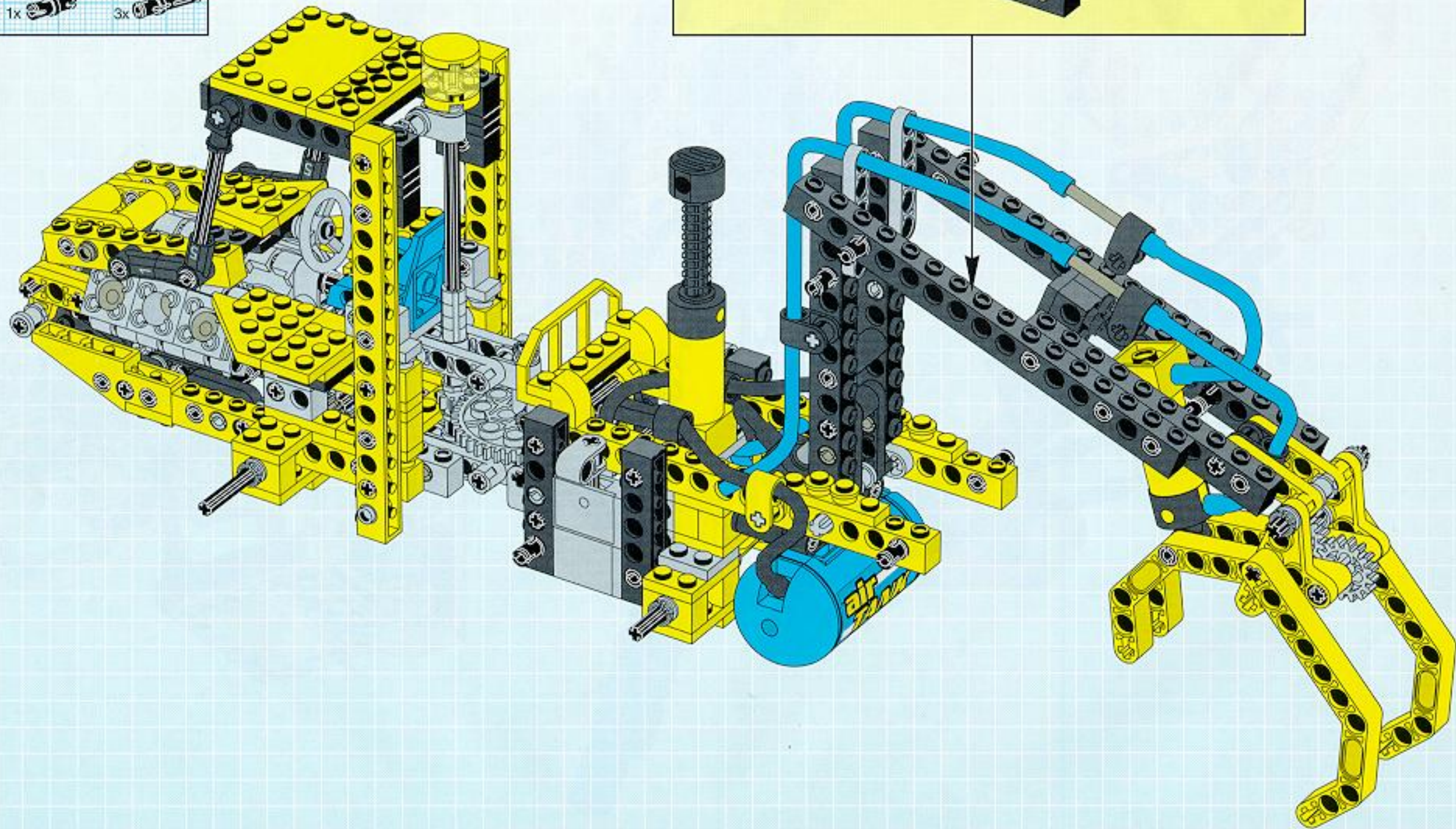
8

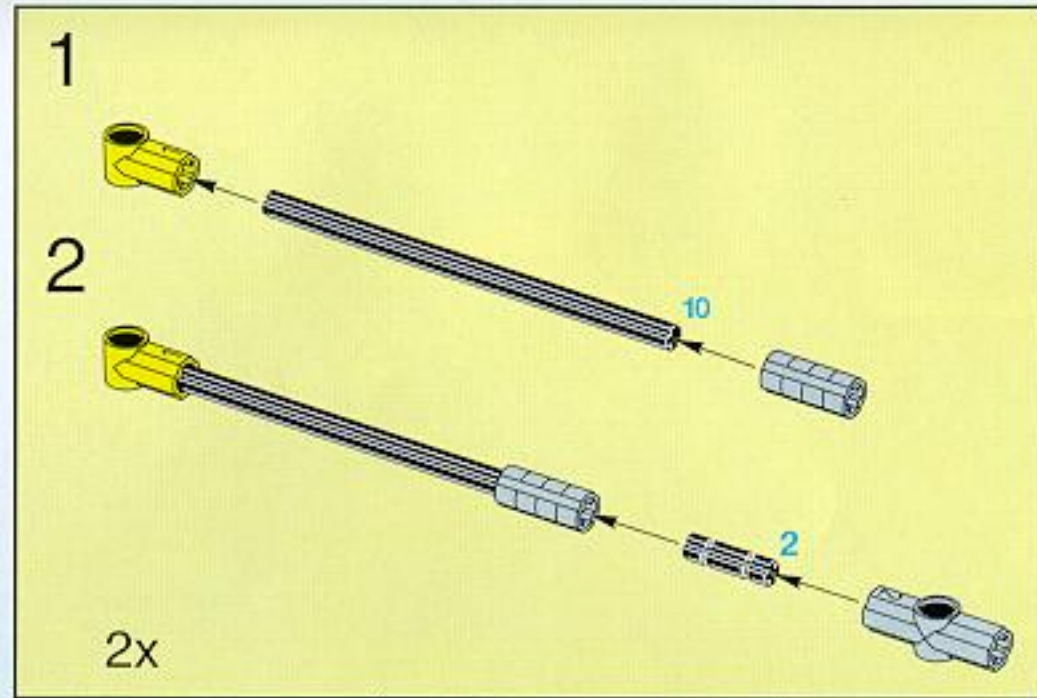
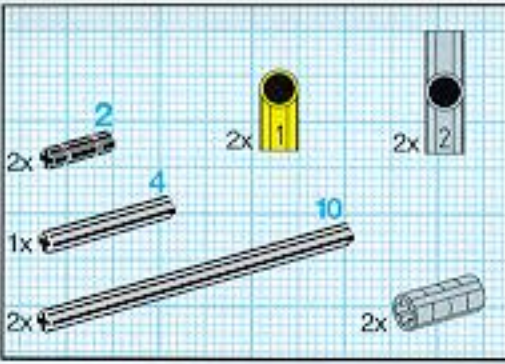




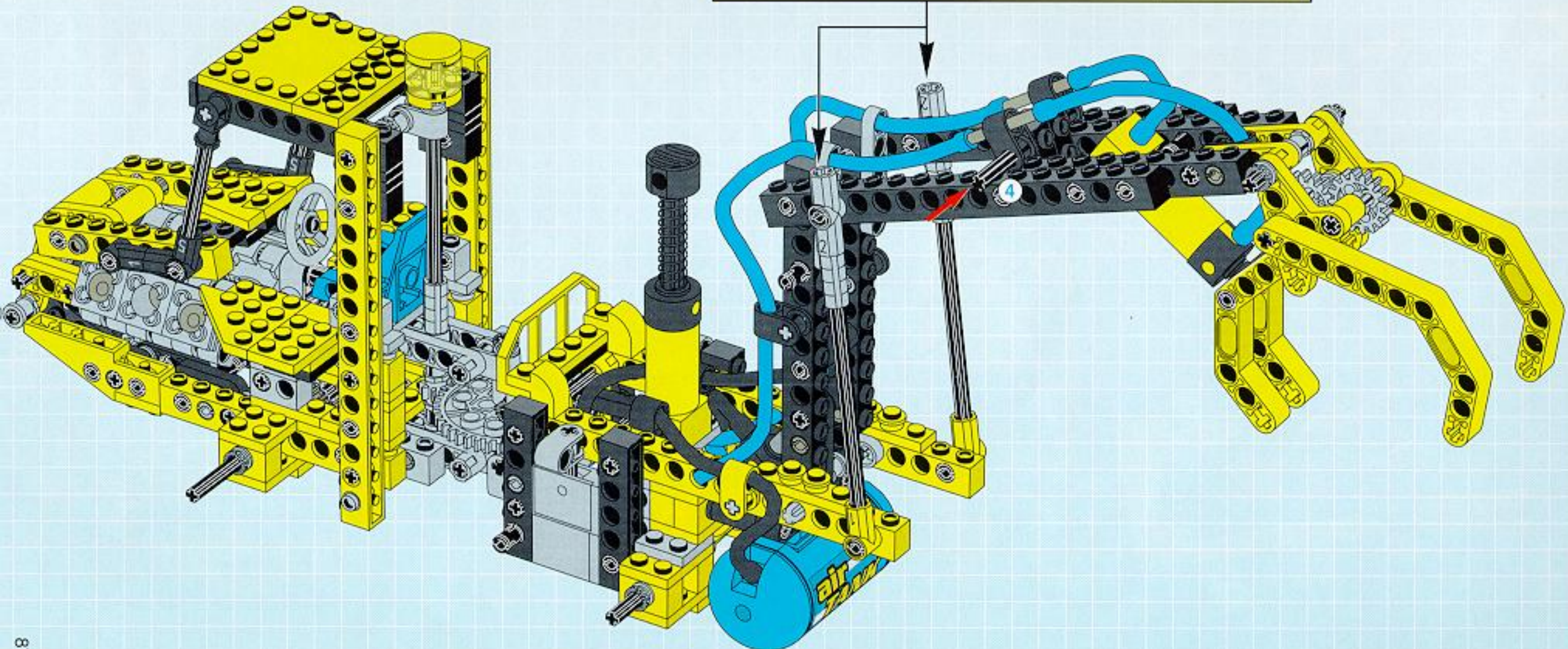


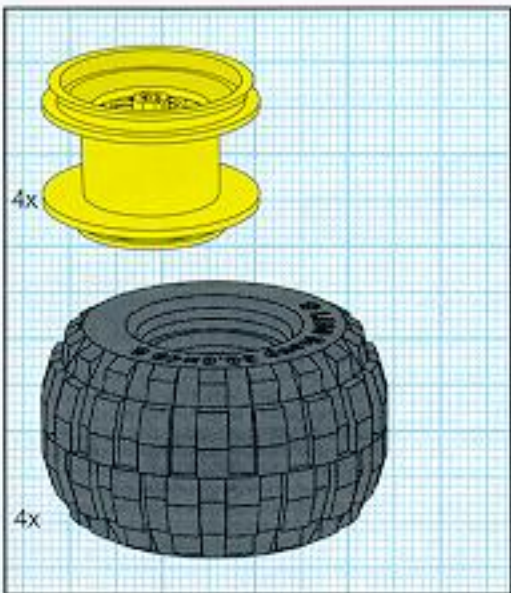
# 34





35

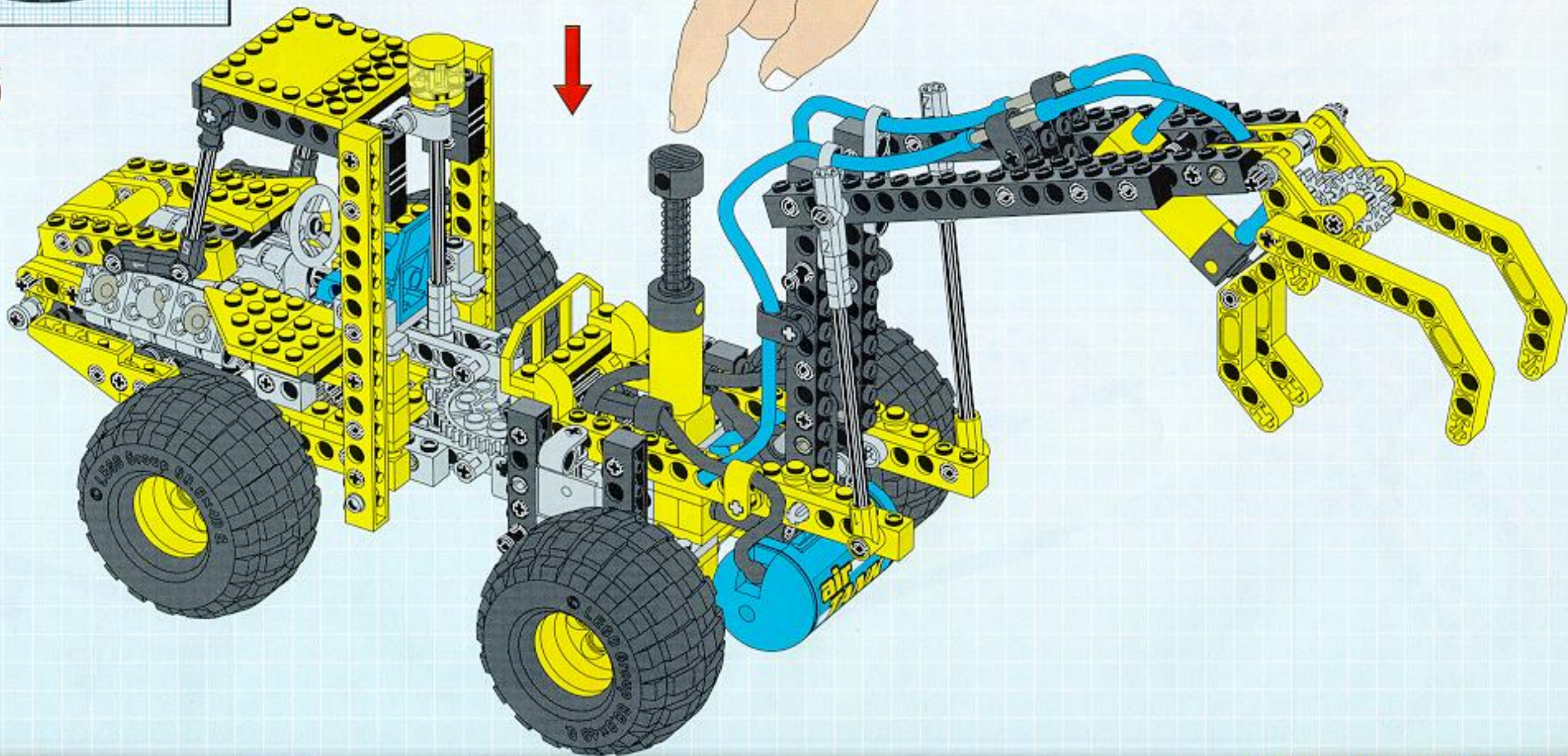




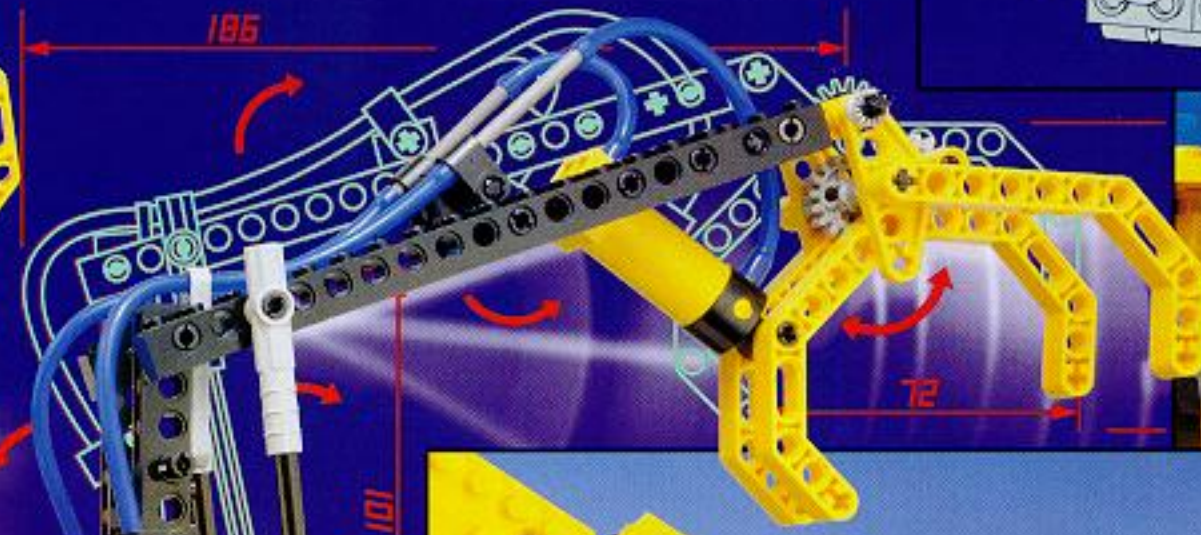
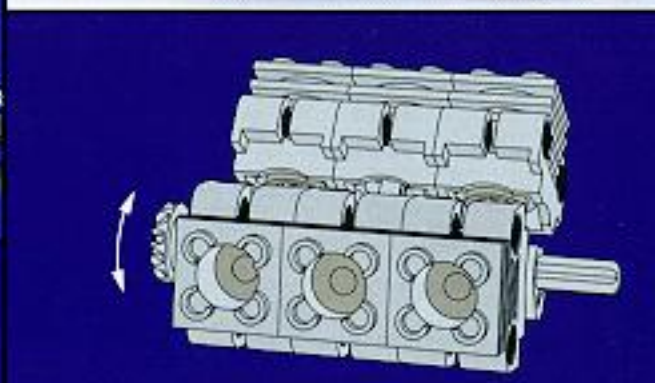
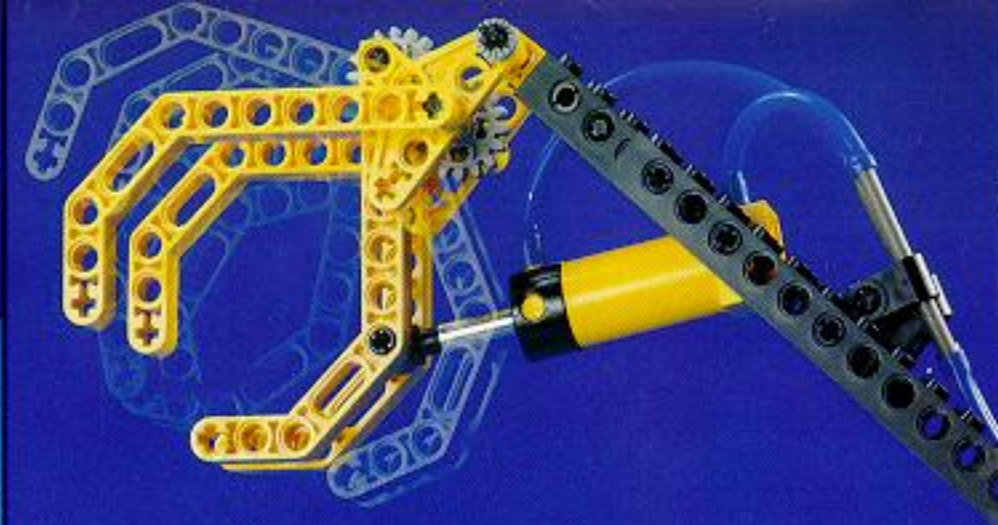
30 - 35x

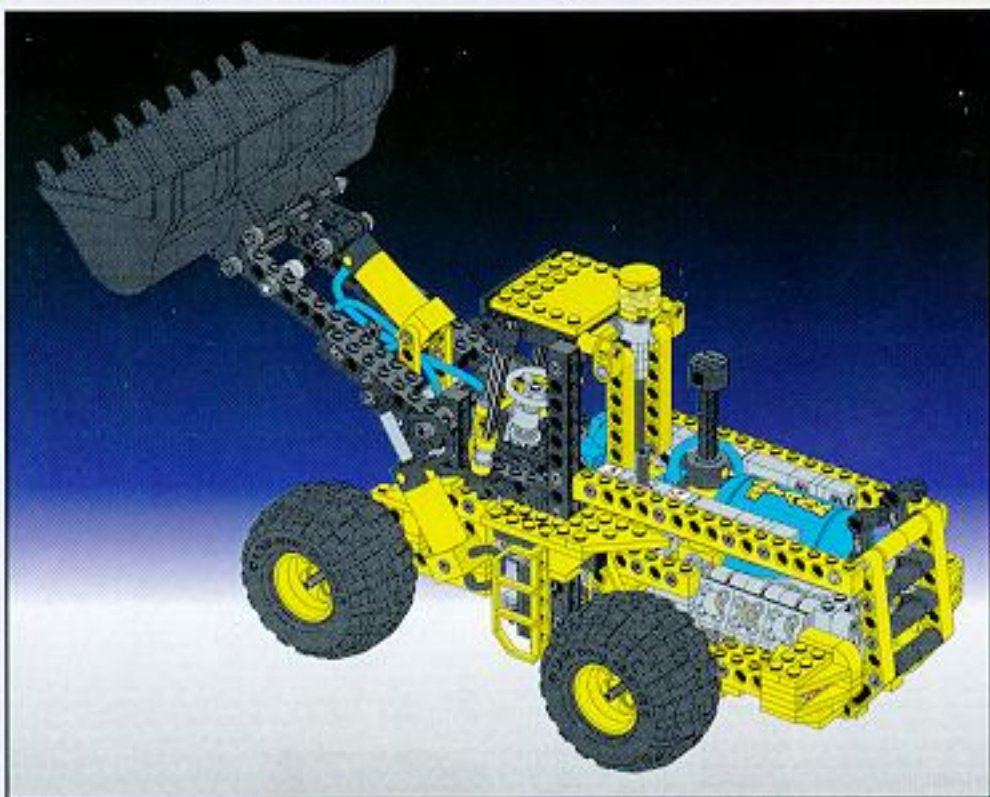


36









+

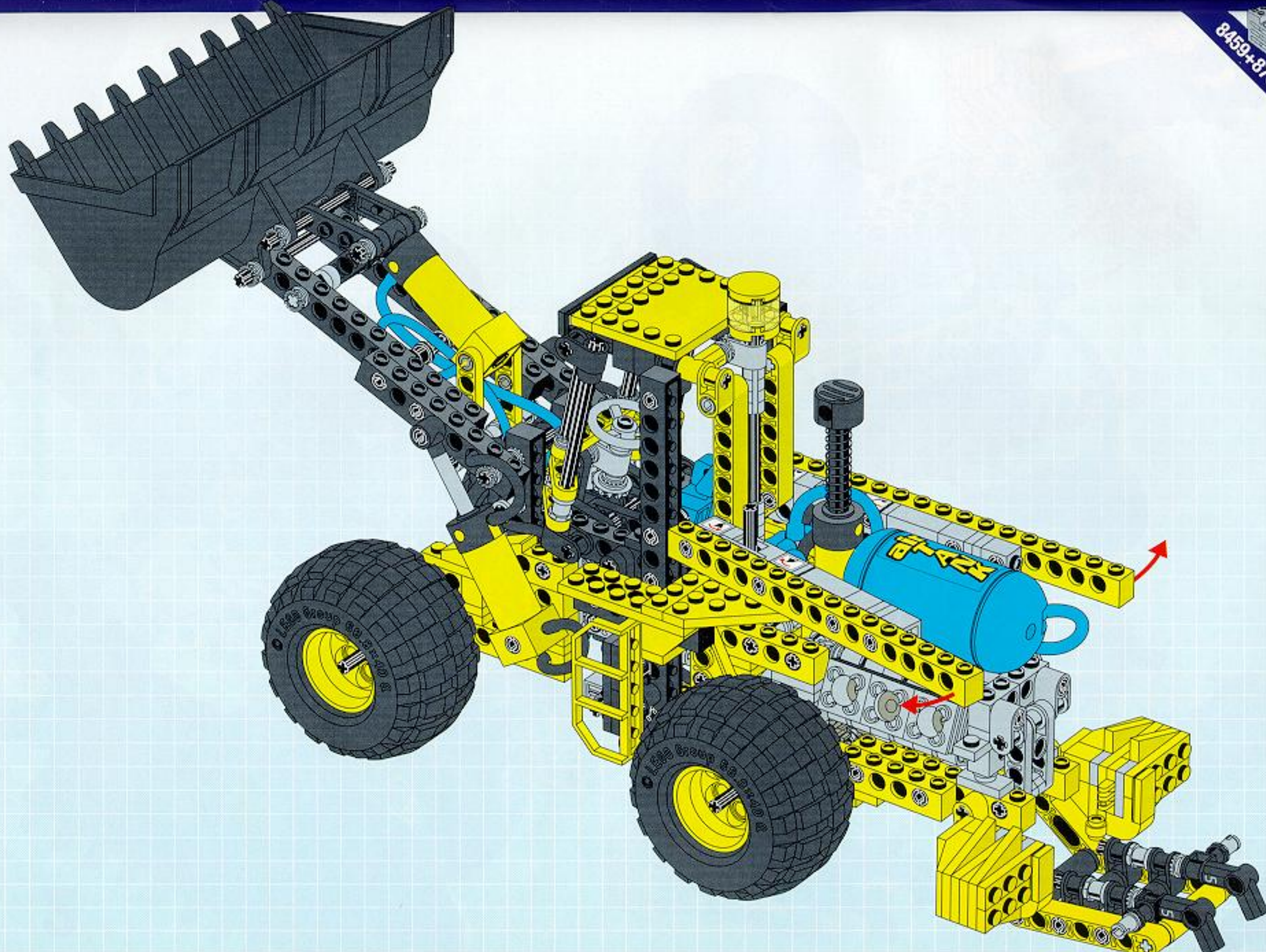


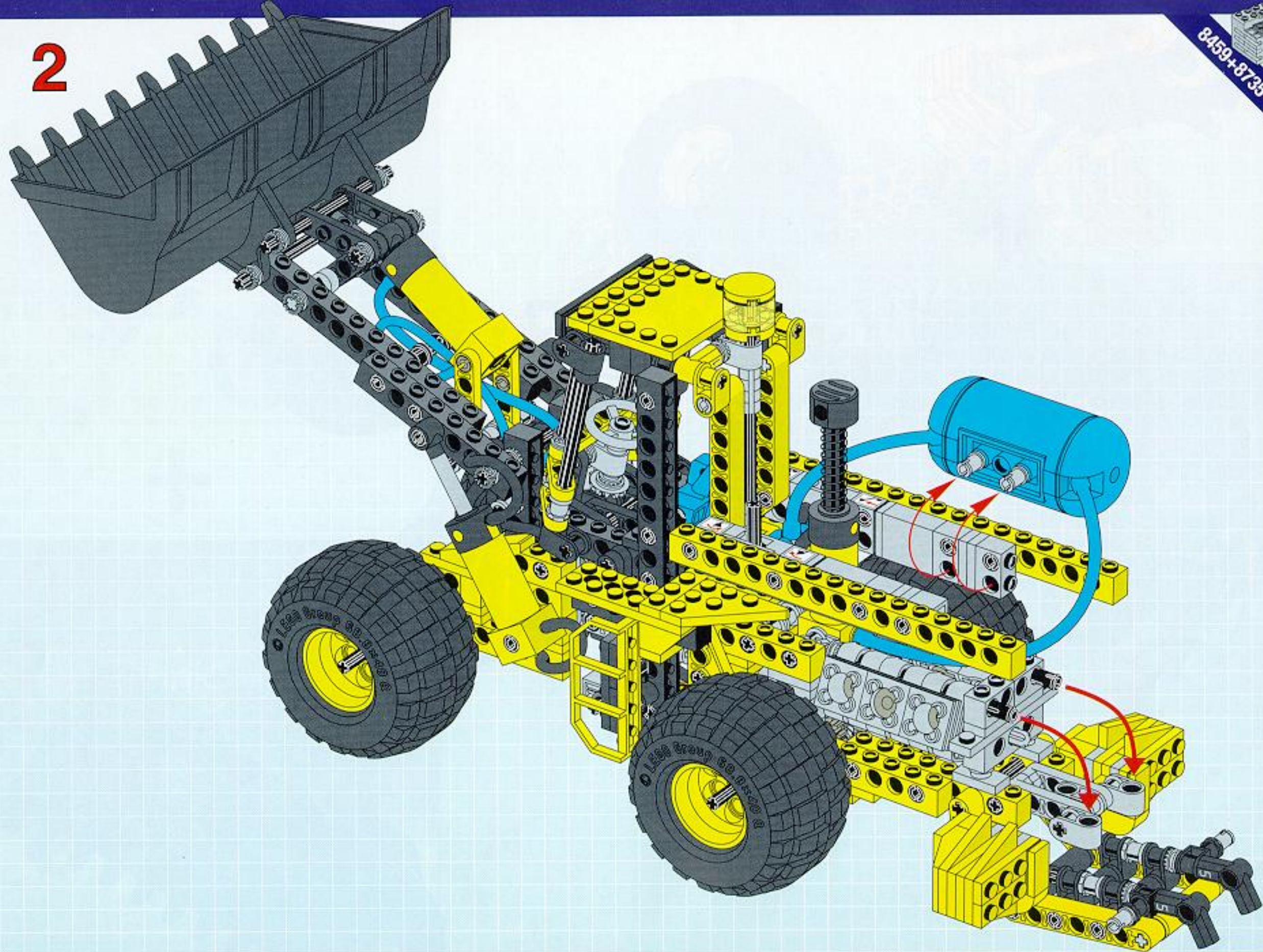
=



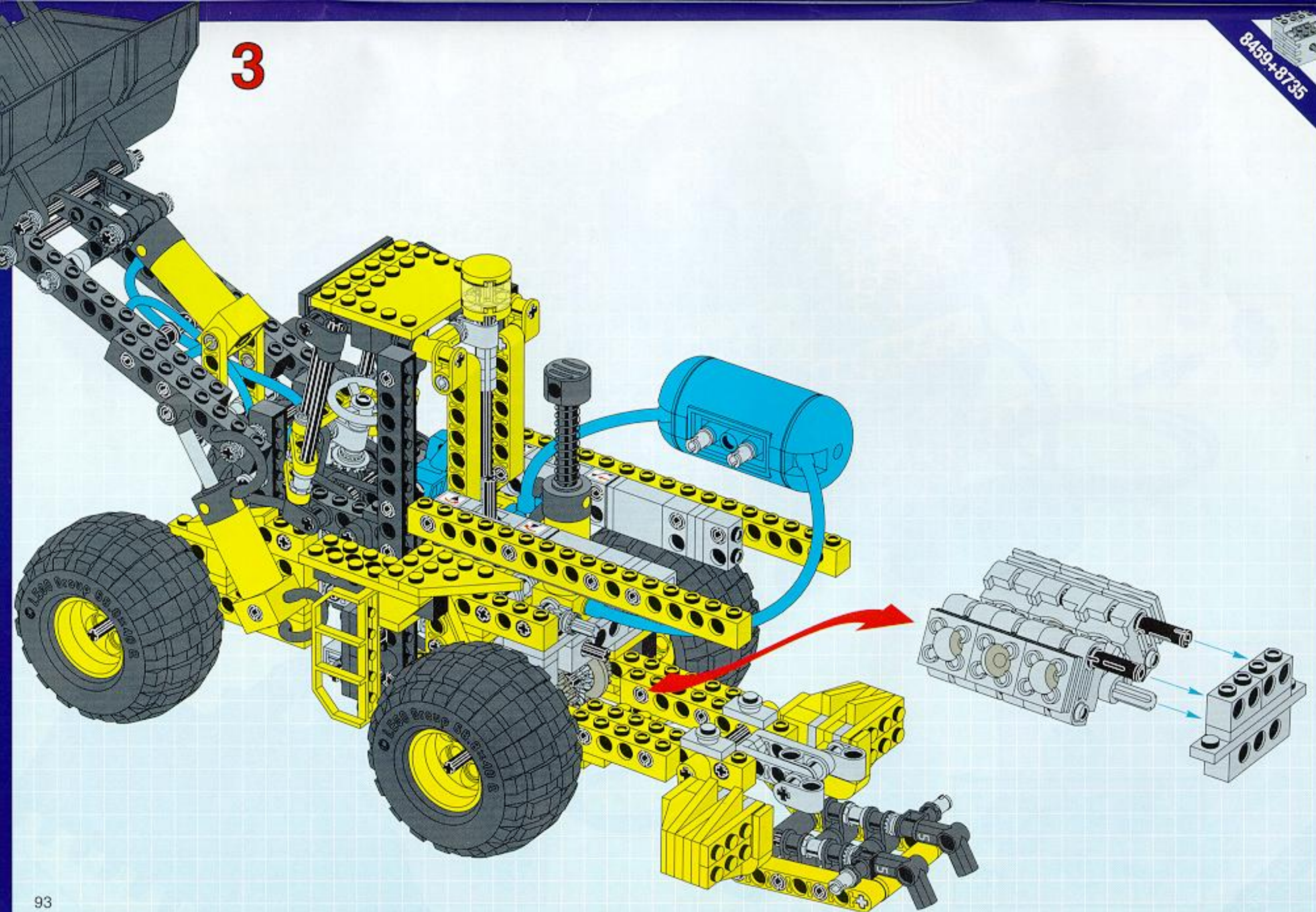
1

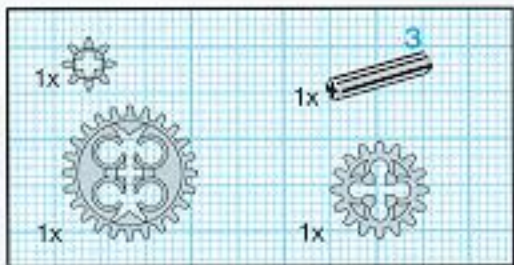
8459+8735



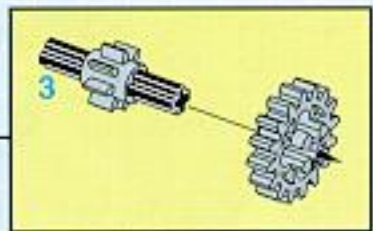


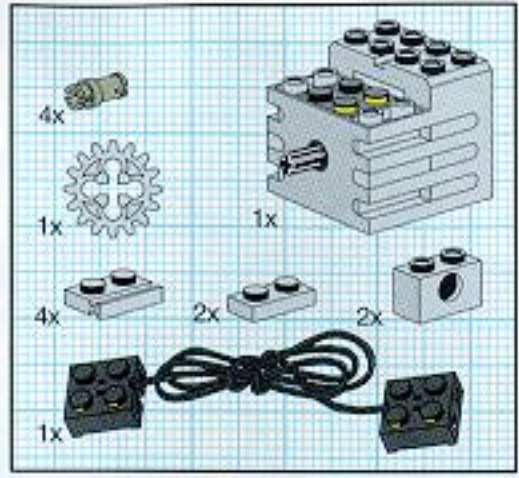
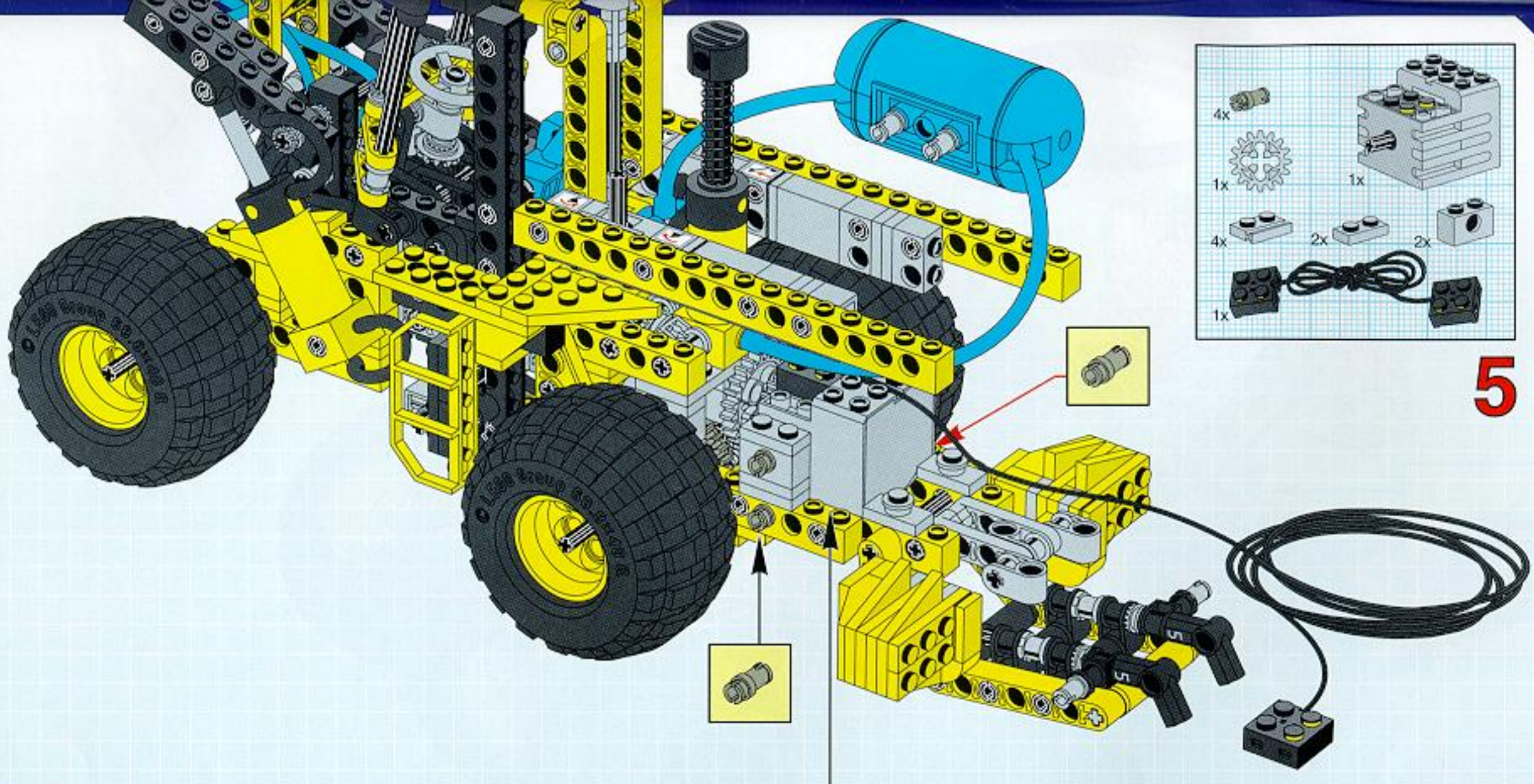
3



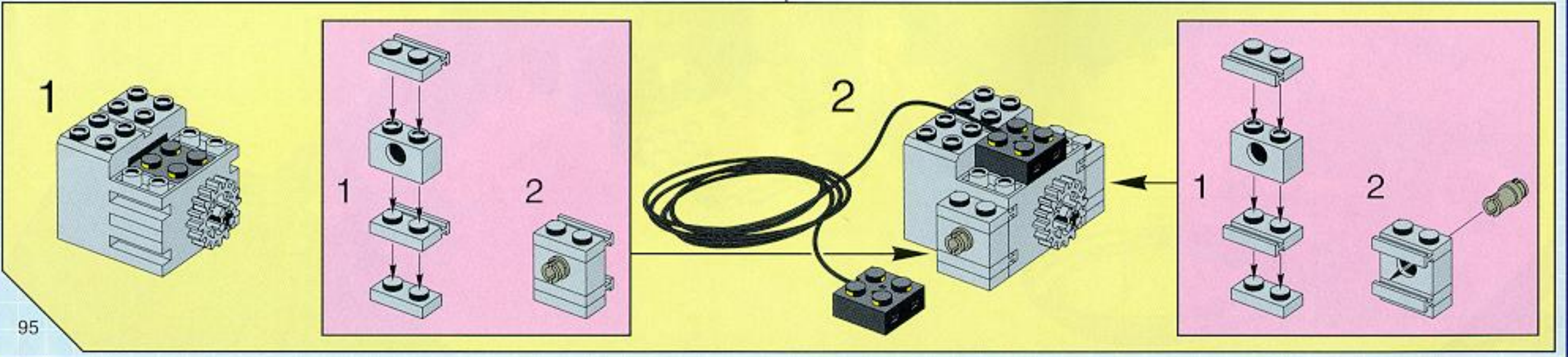


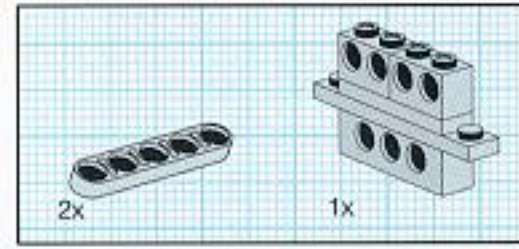
4



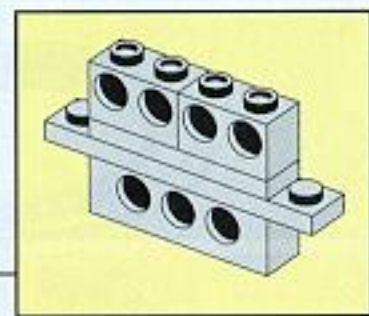
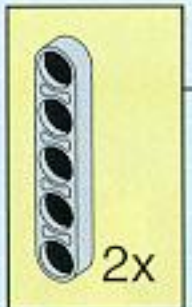
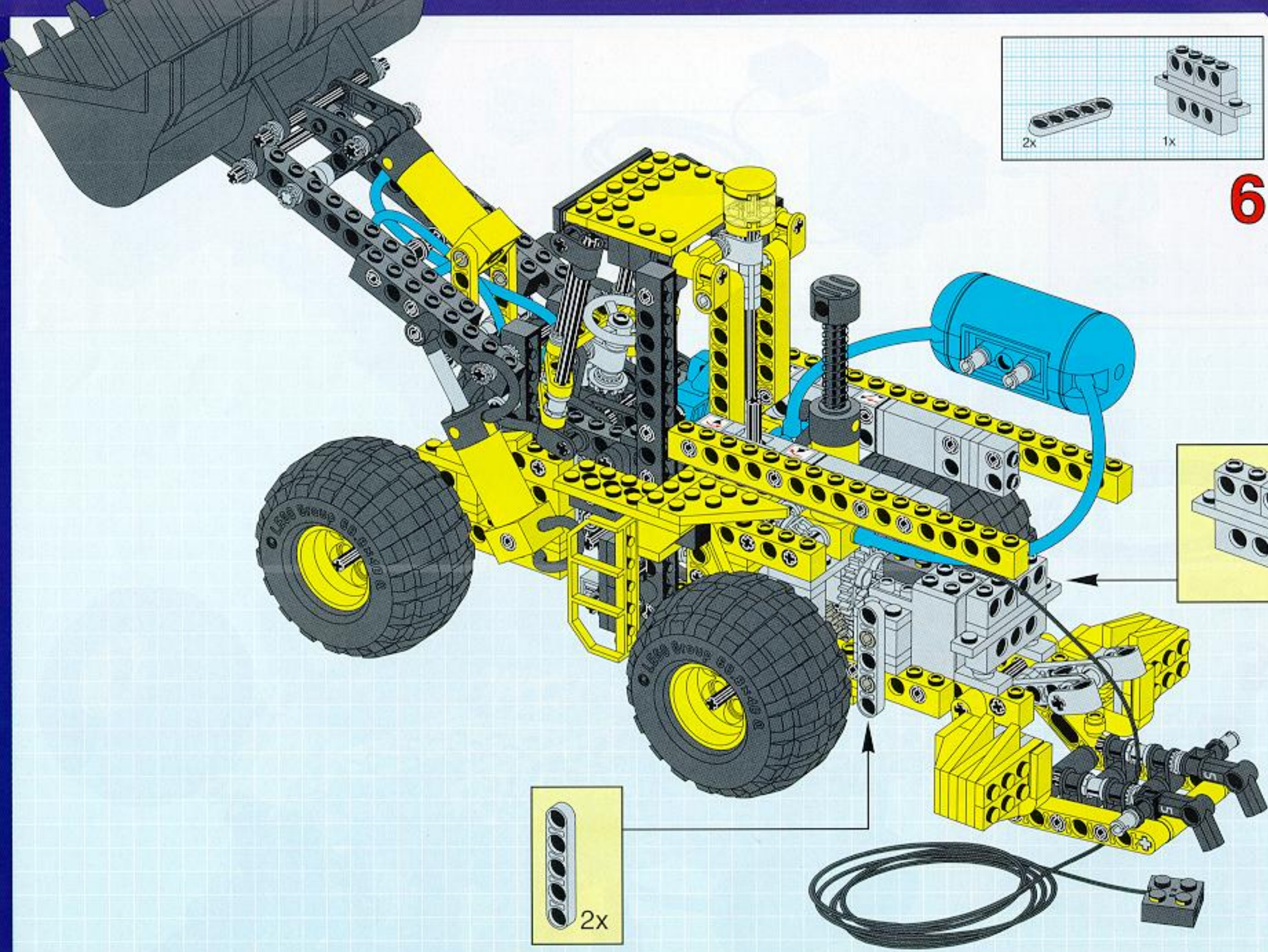


5





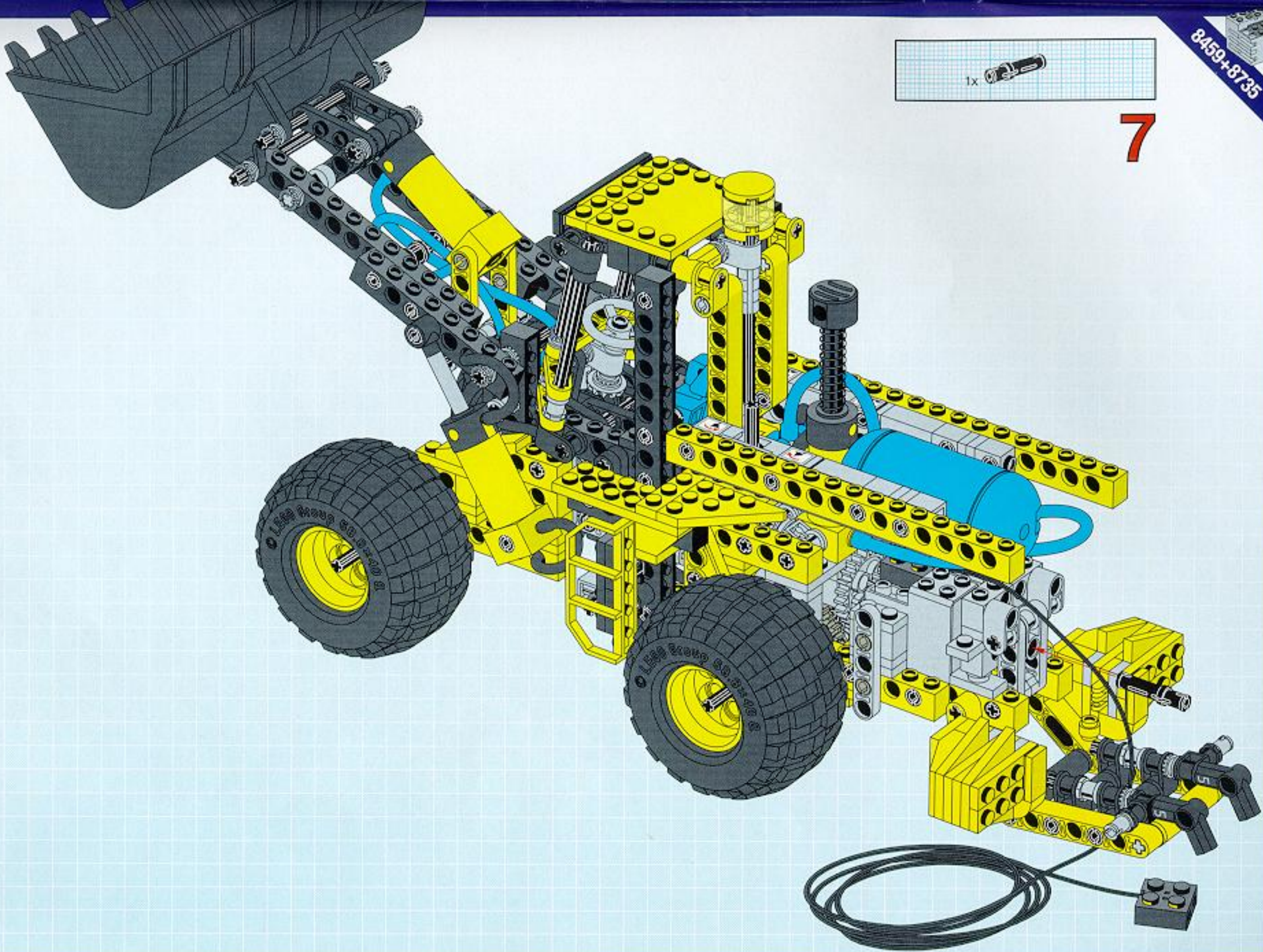
6

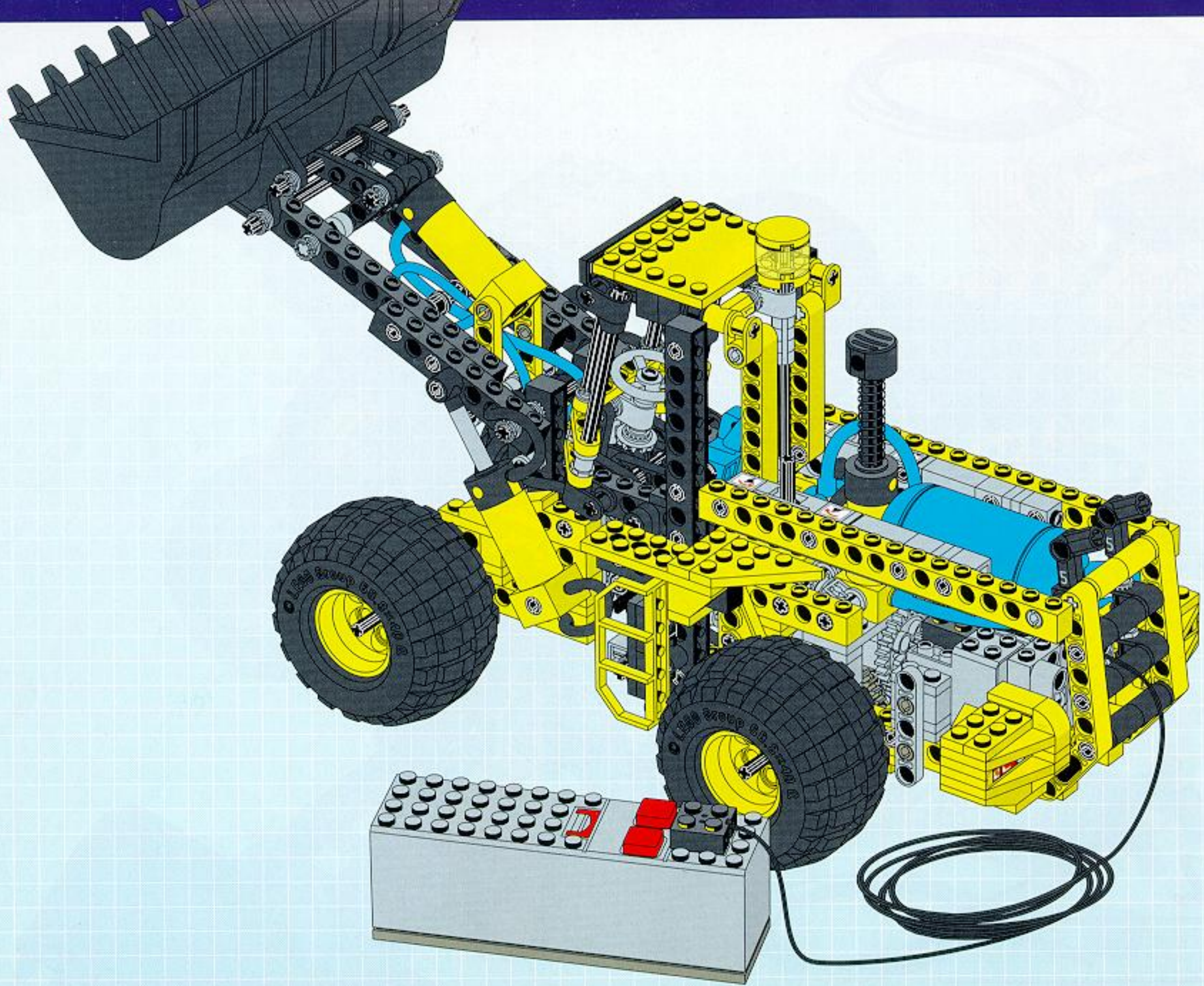






7











# TECHNIC

8439





**air  
TANK**

**air  
TANK**

