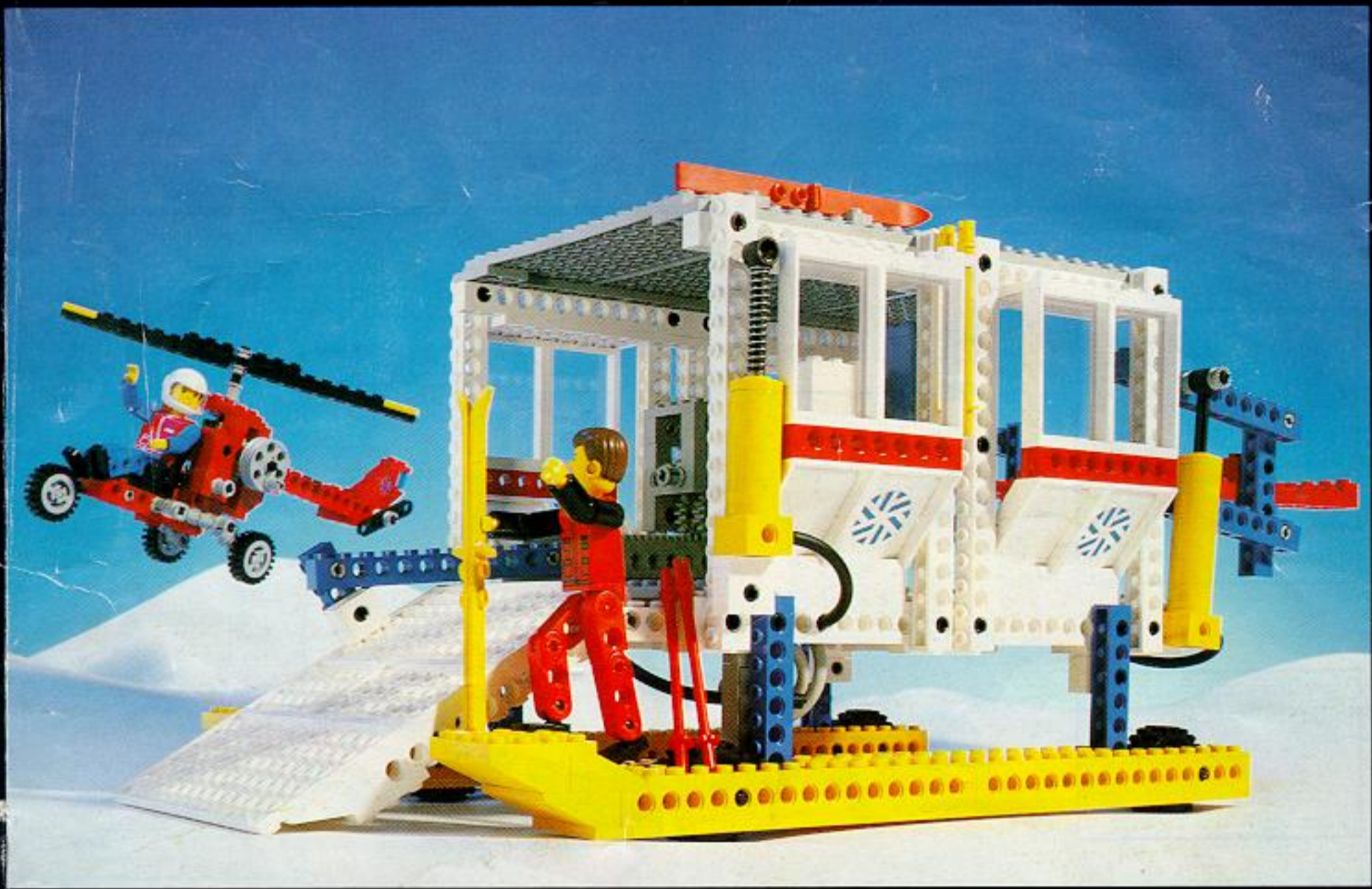
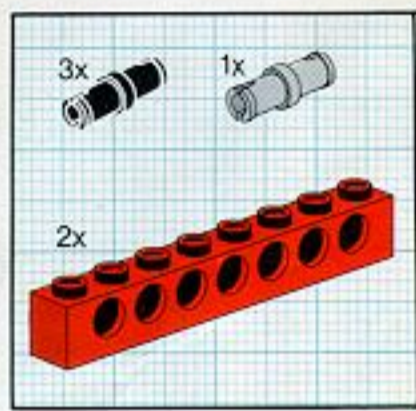
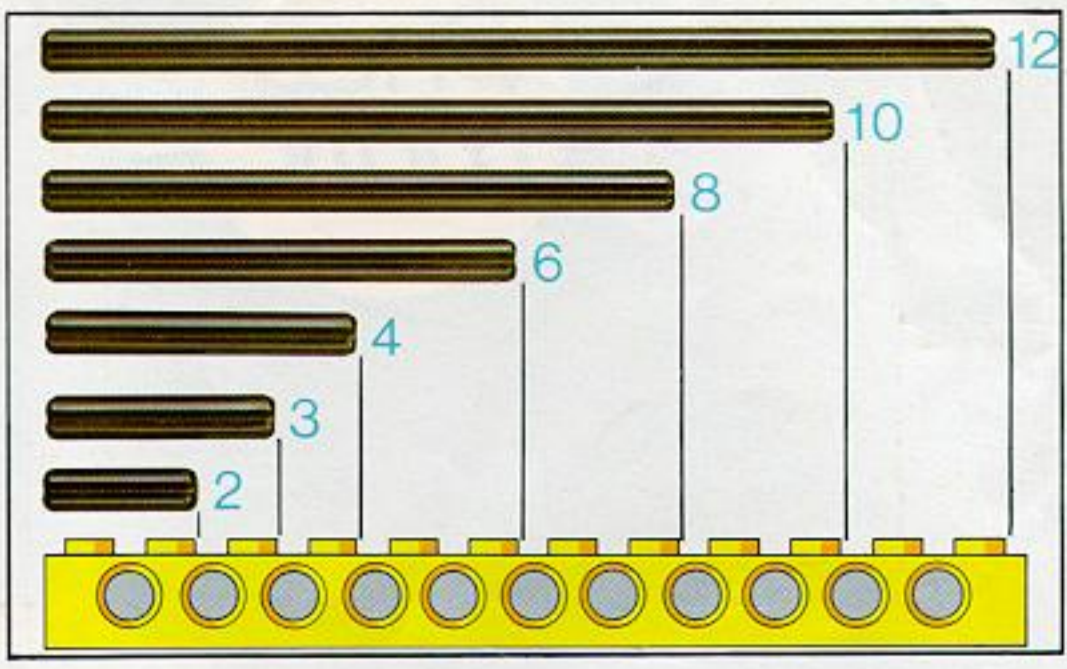


8680

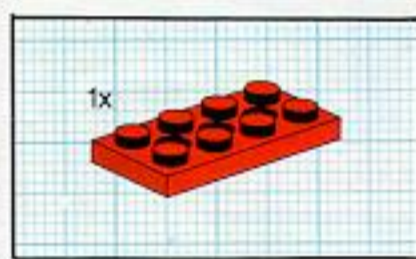
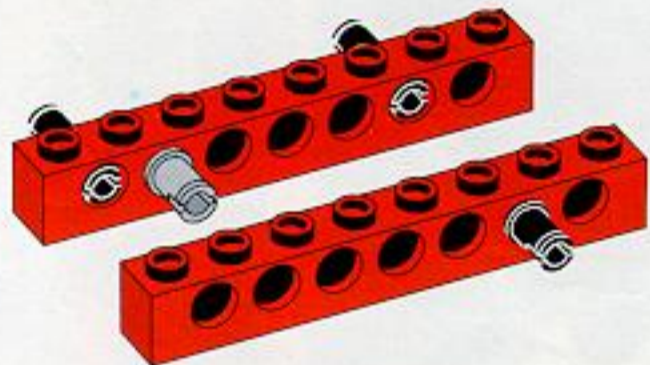
Pneumatic

Technic

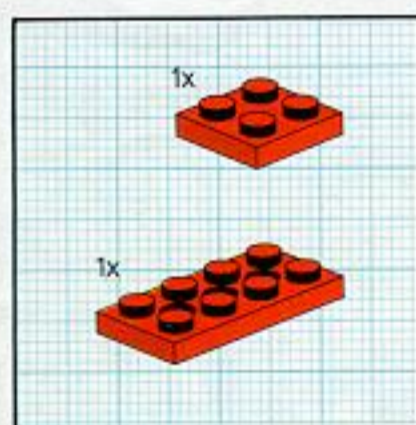
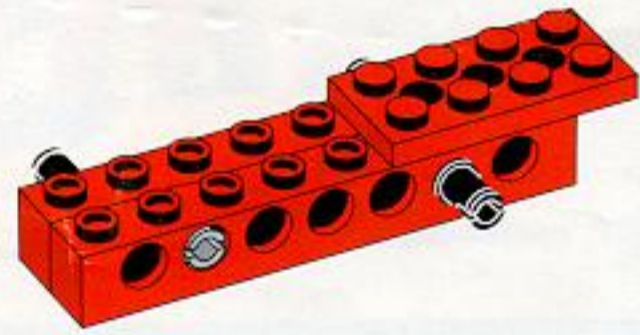




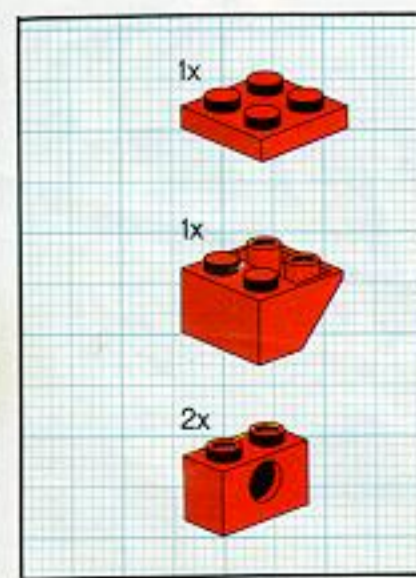
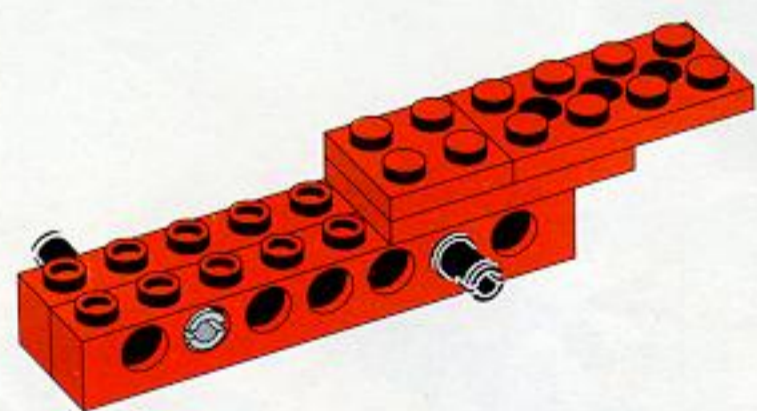
1



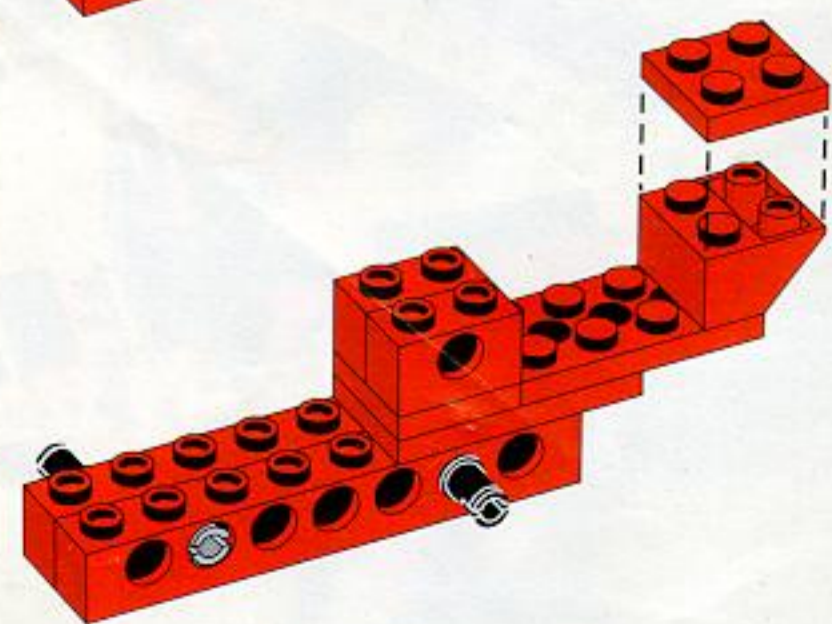
2

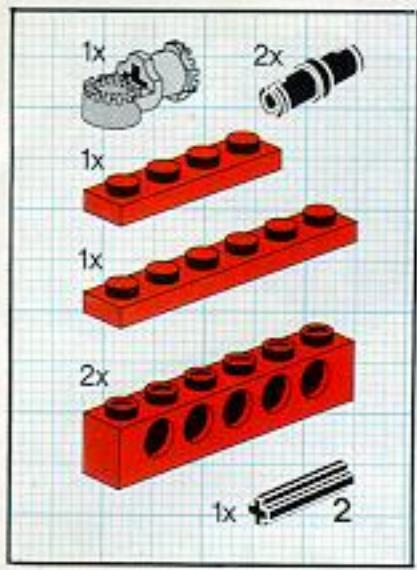


3

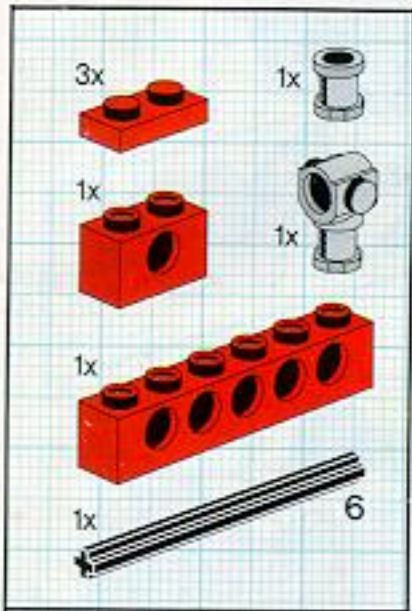
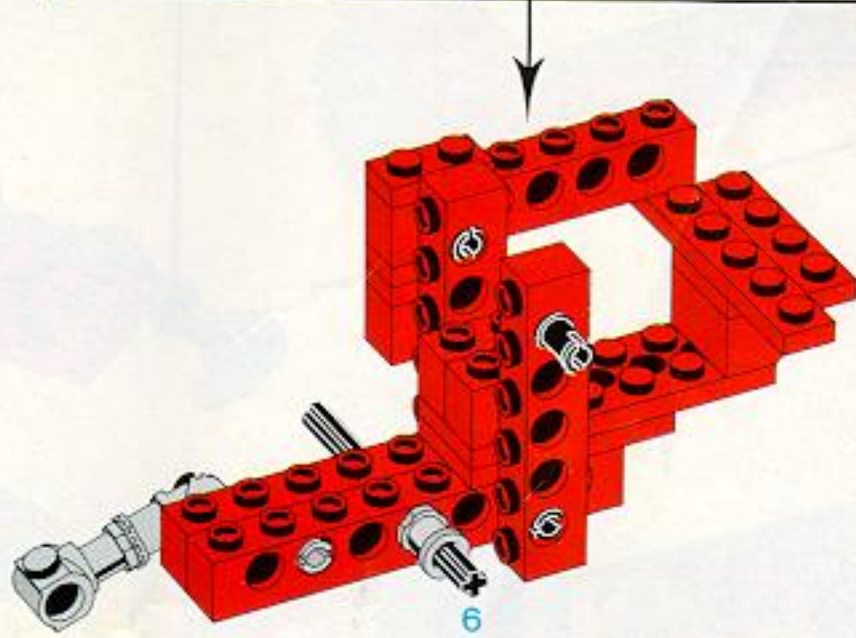
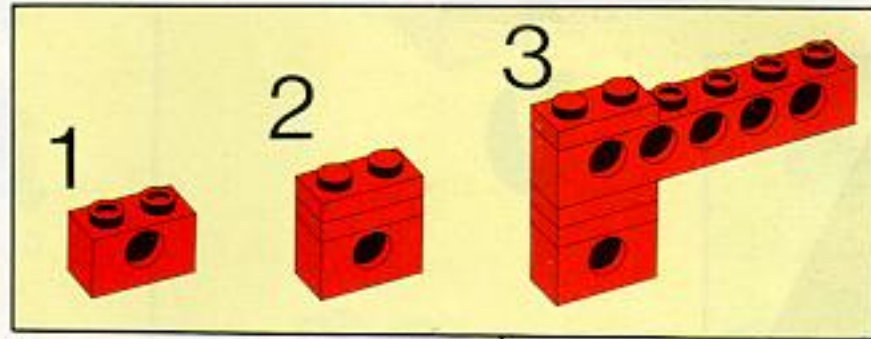
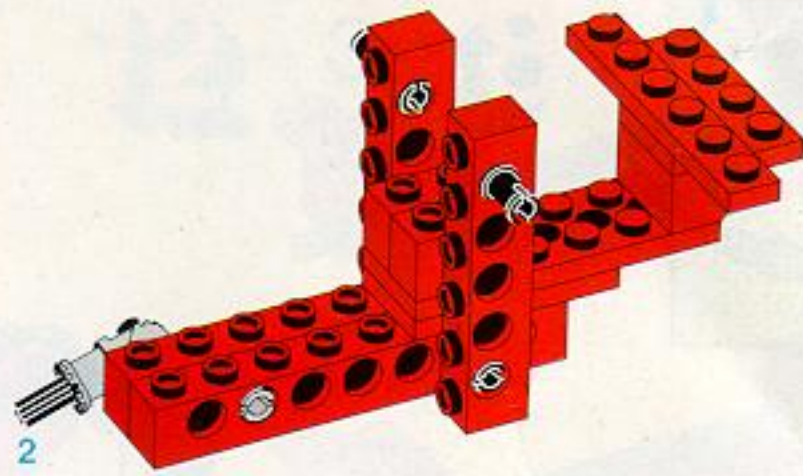


4

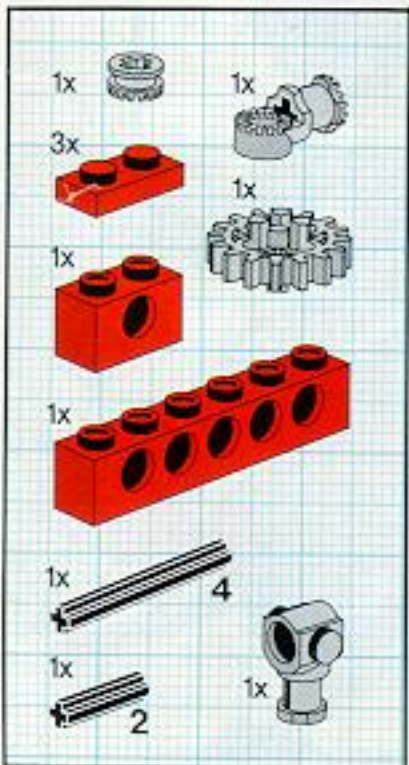
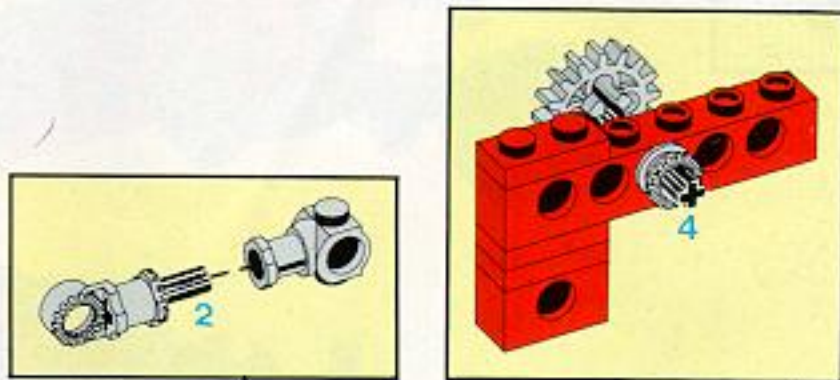




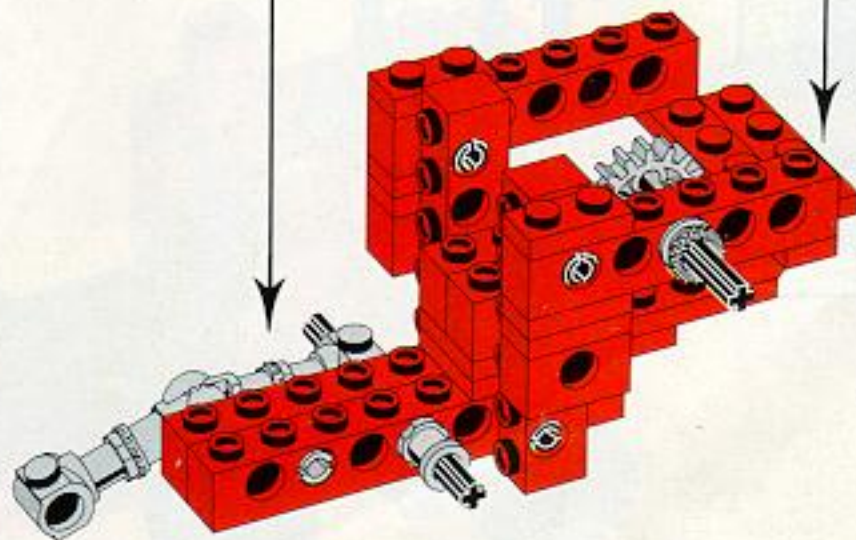
5

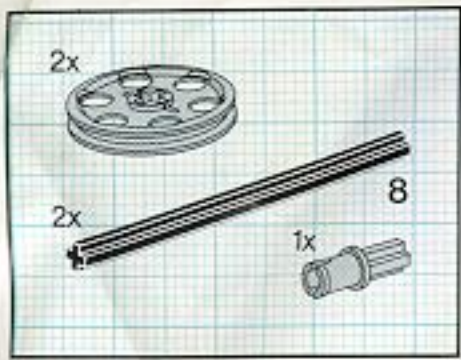


6

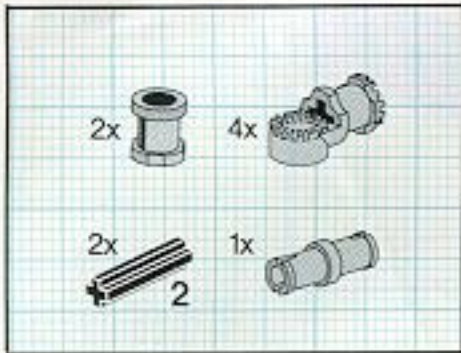
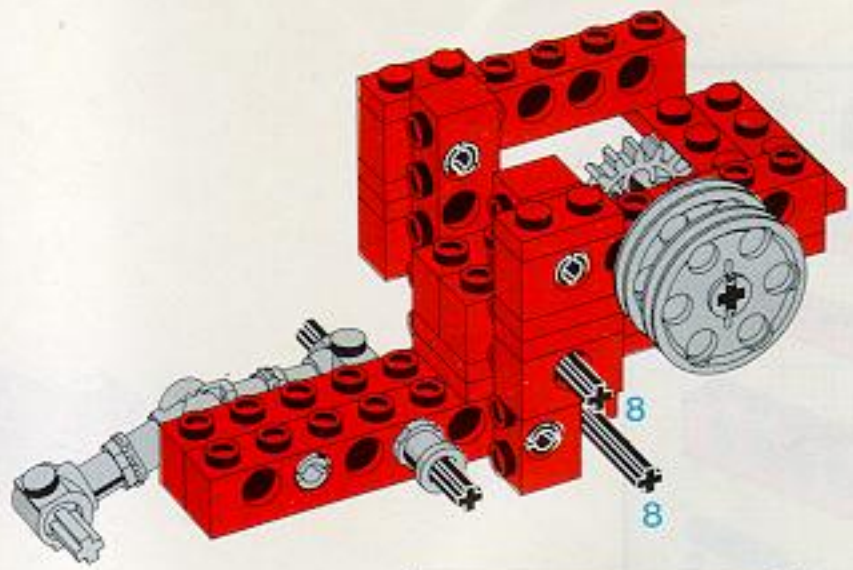


7

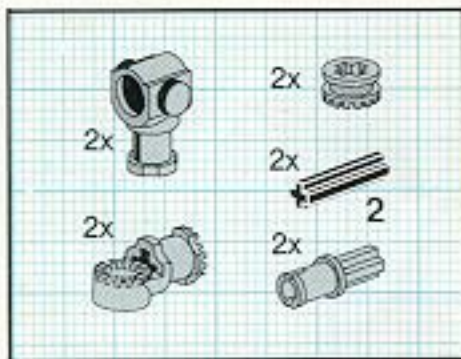
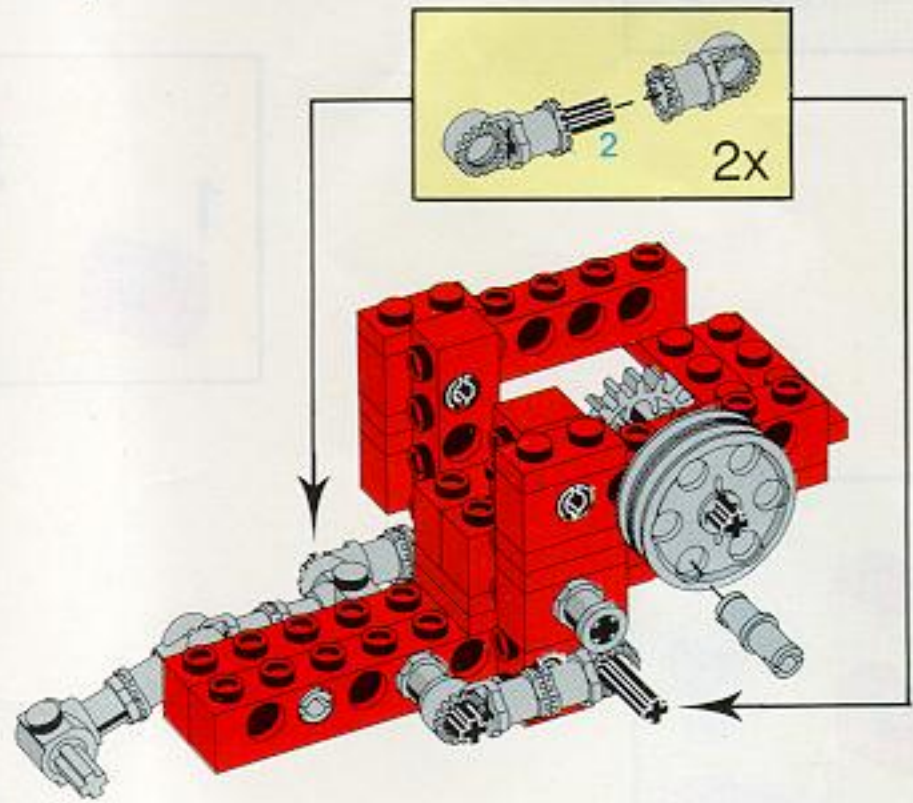




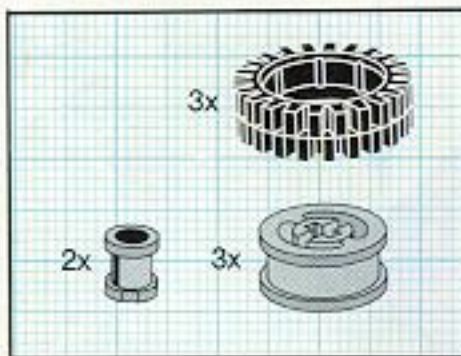
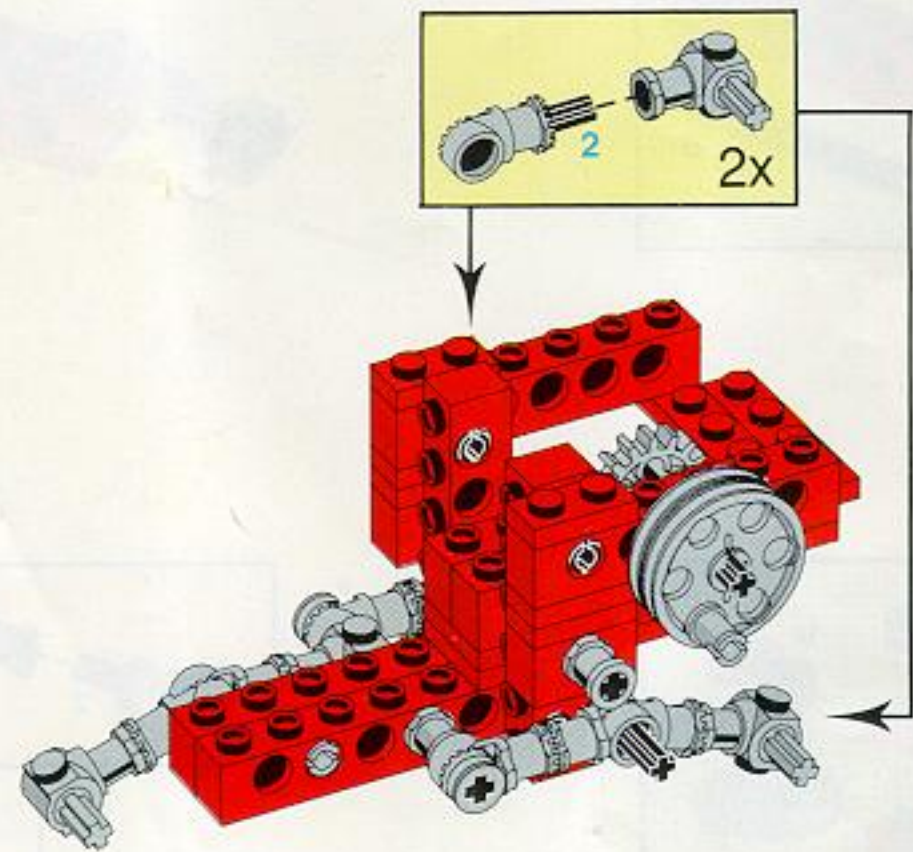
8



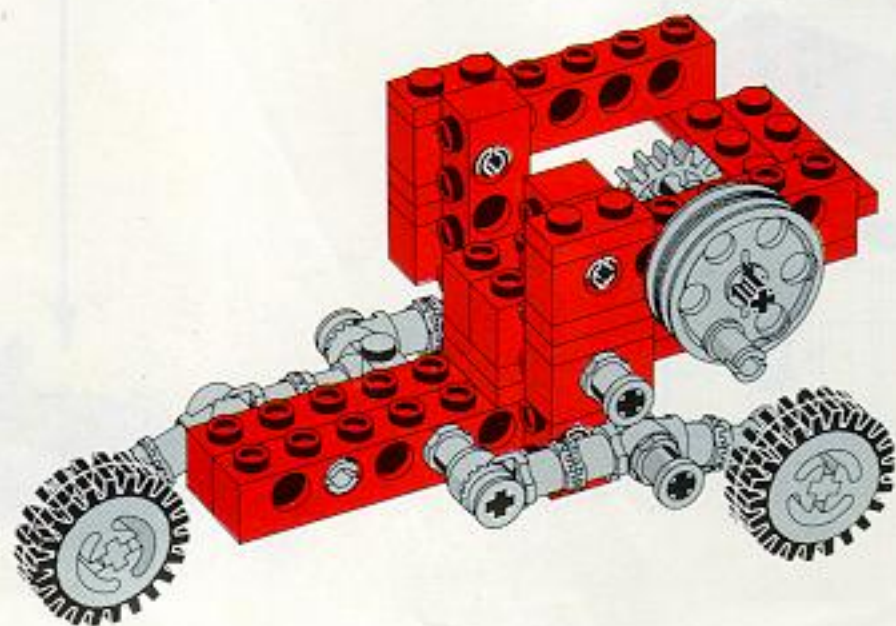
9

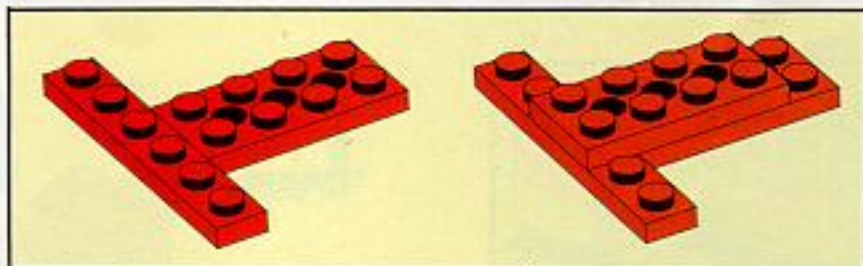
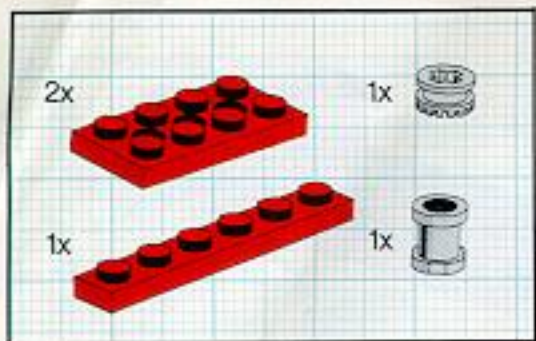


10

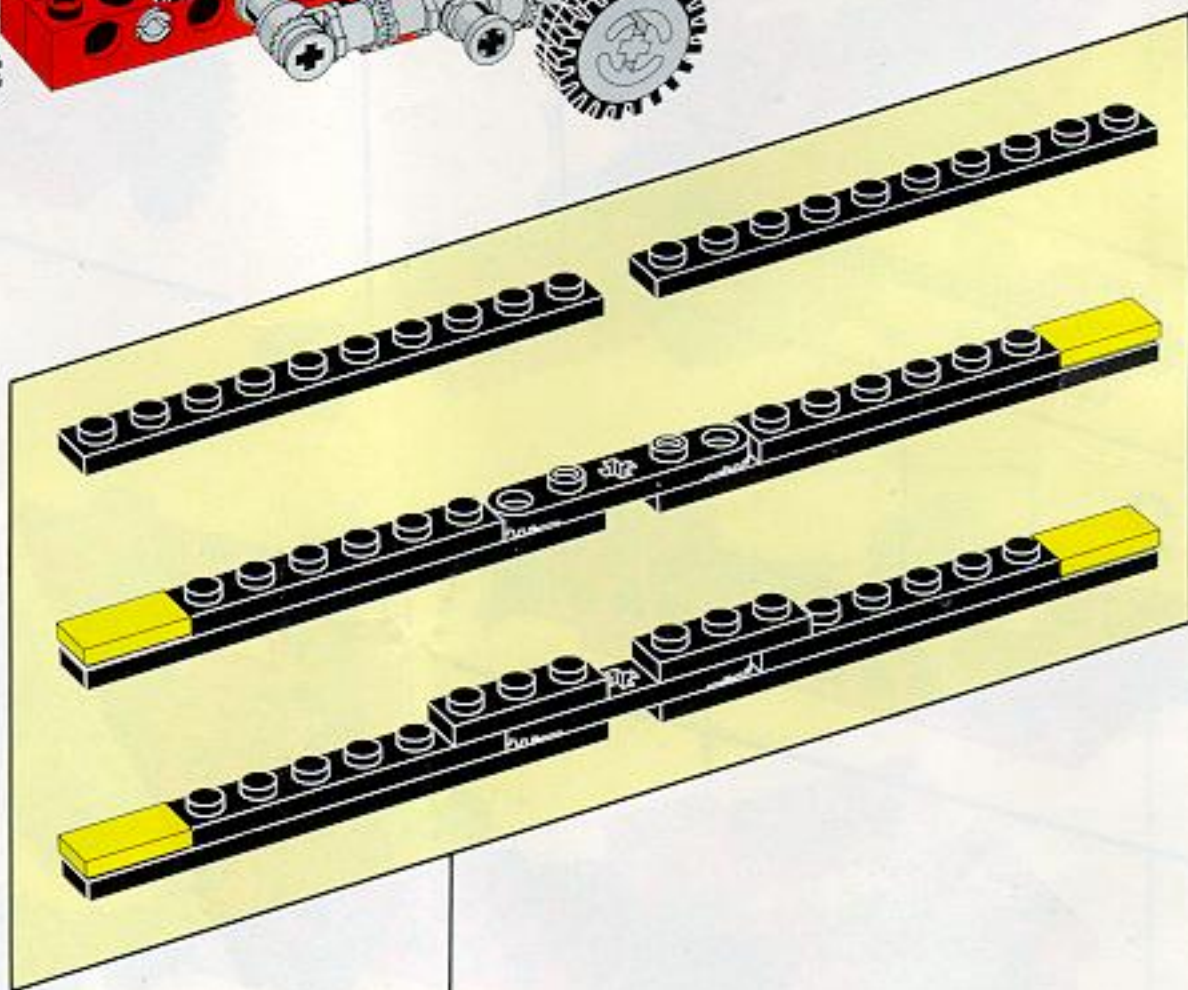
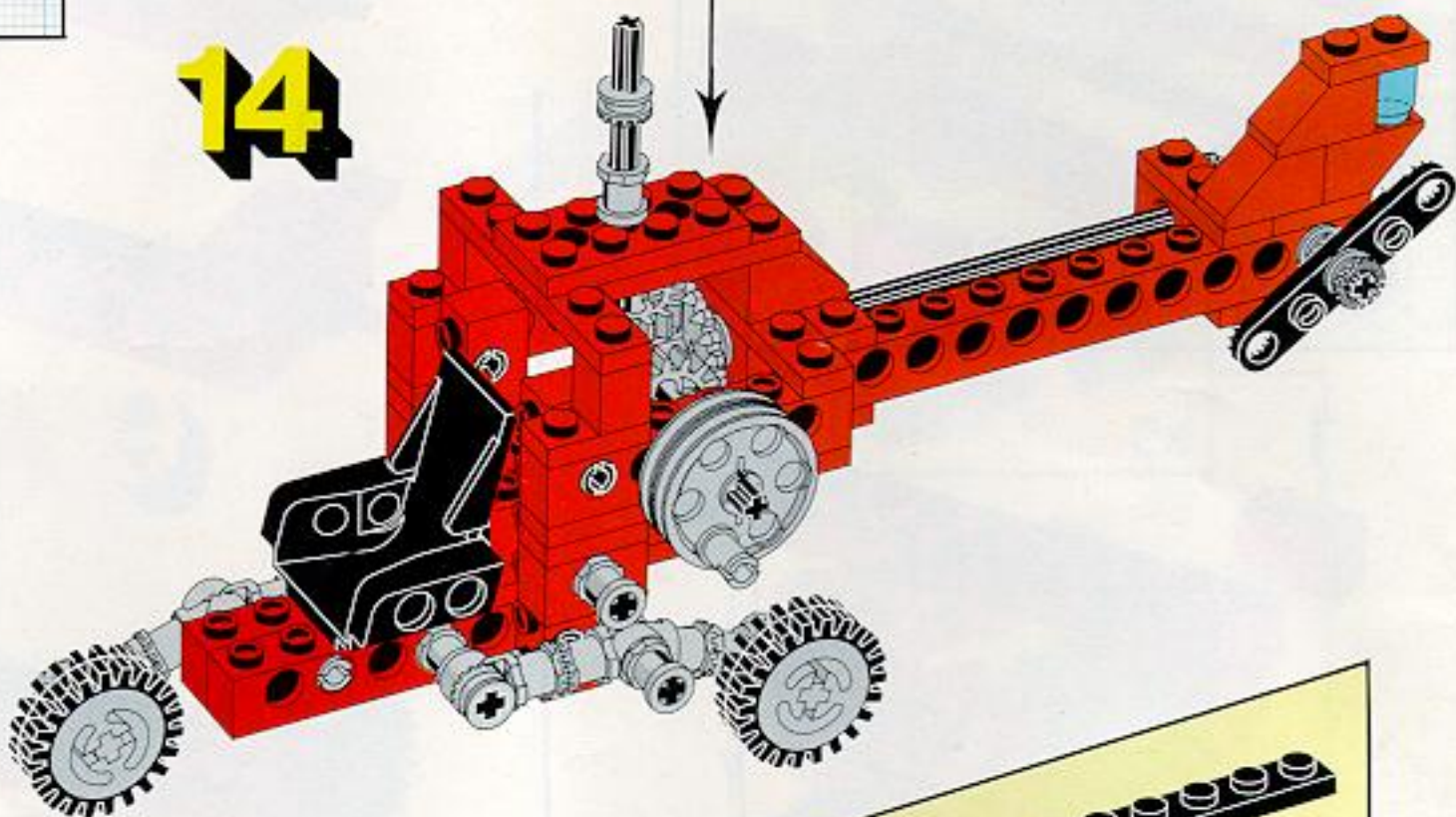


11

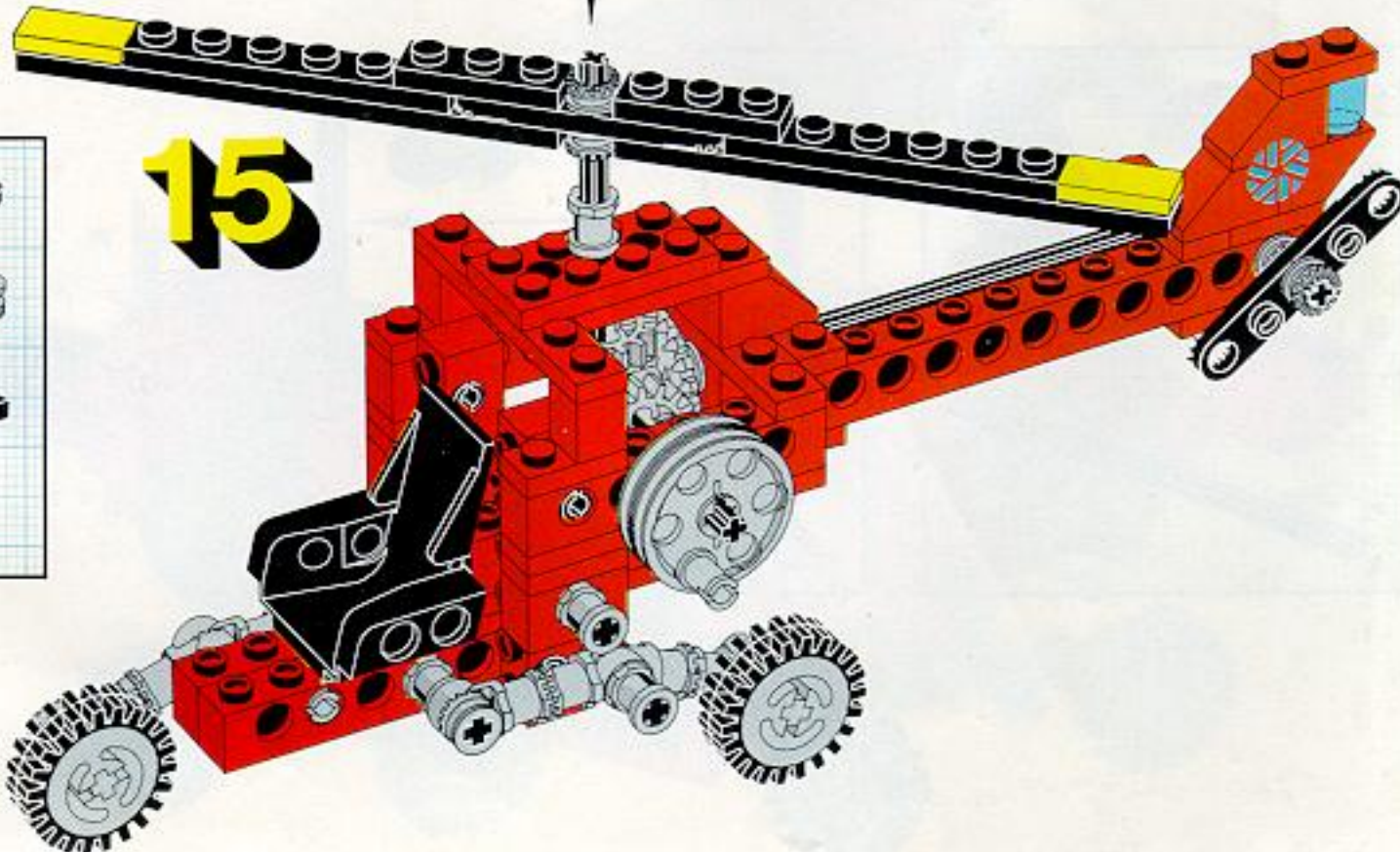
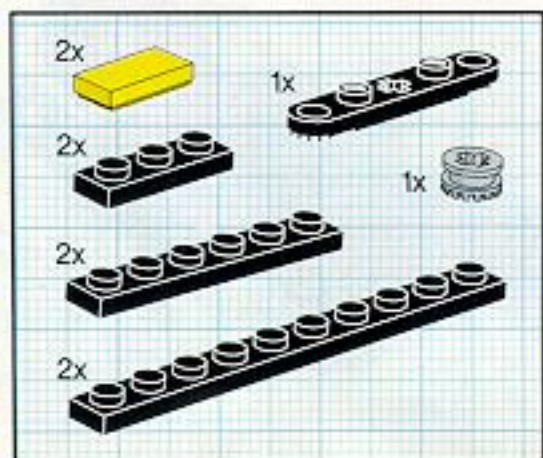




14

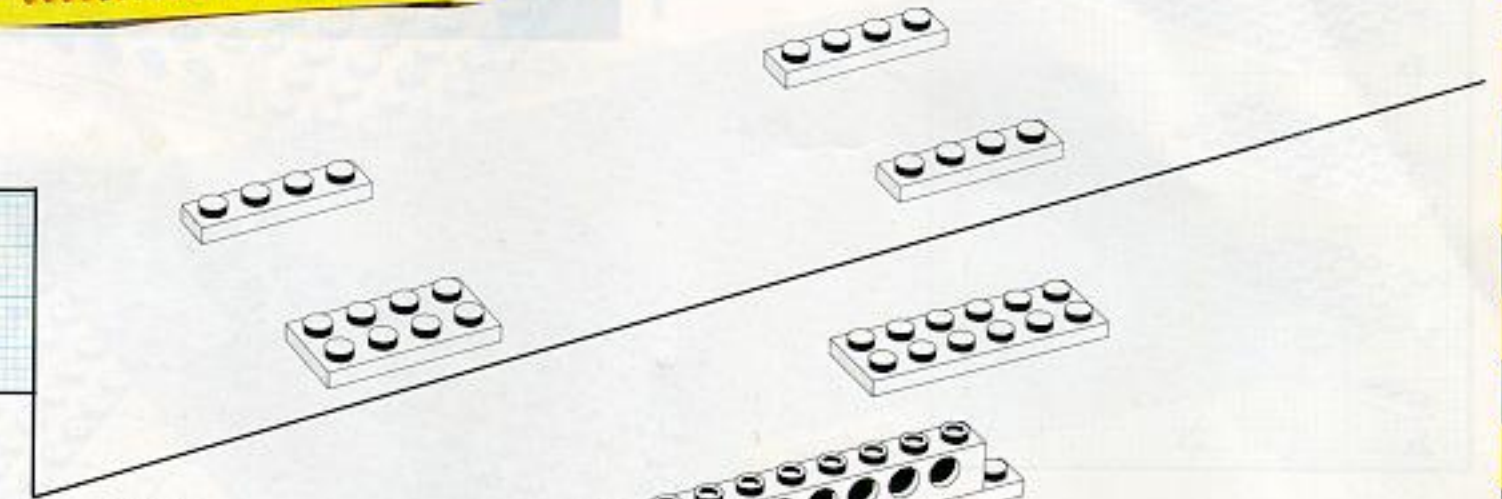
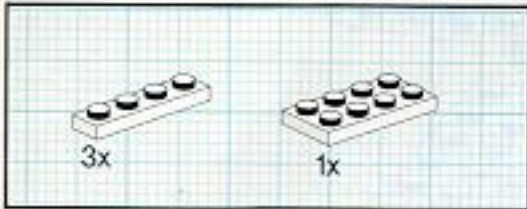


15

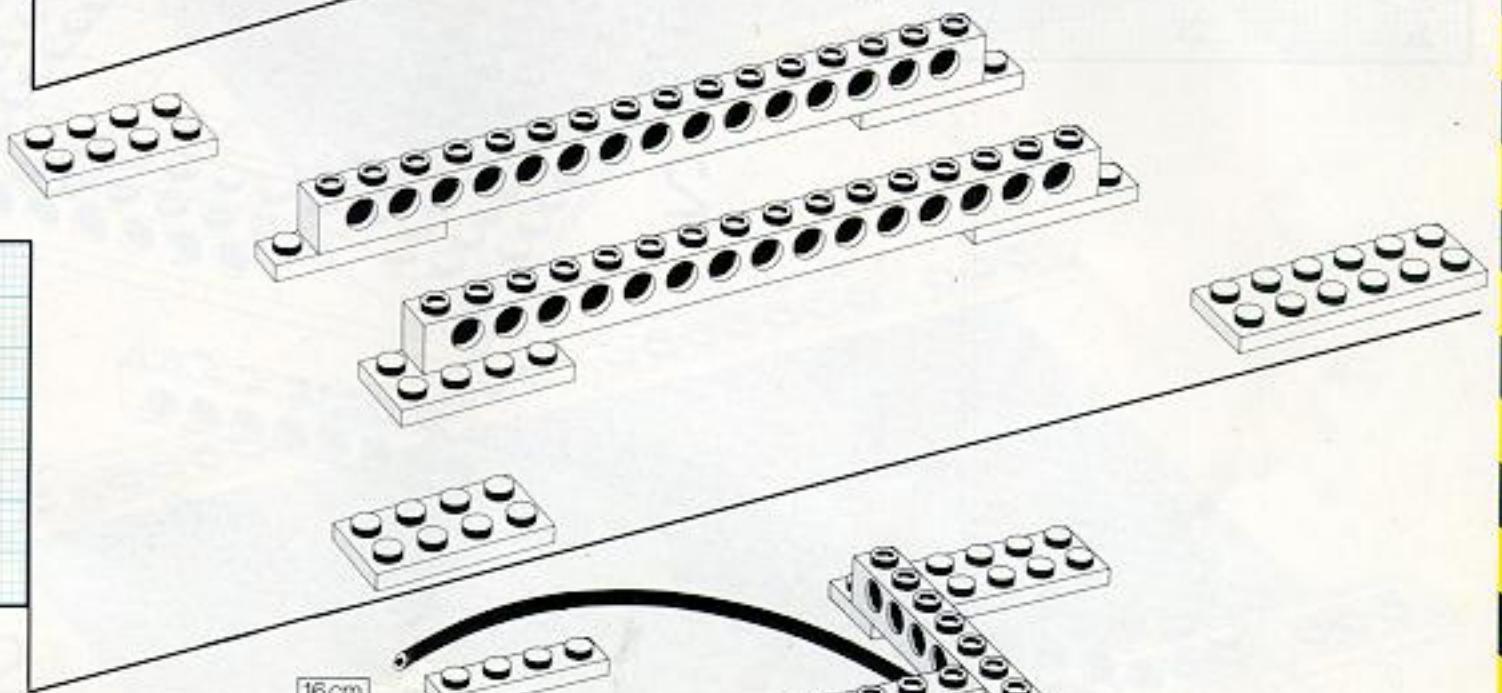
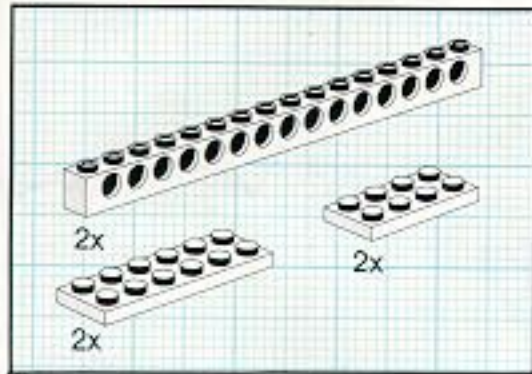




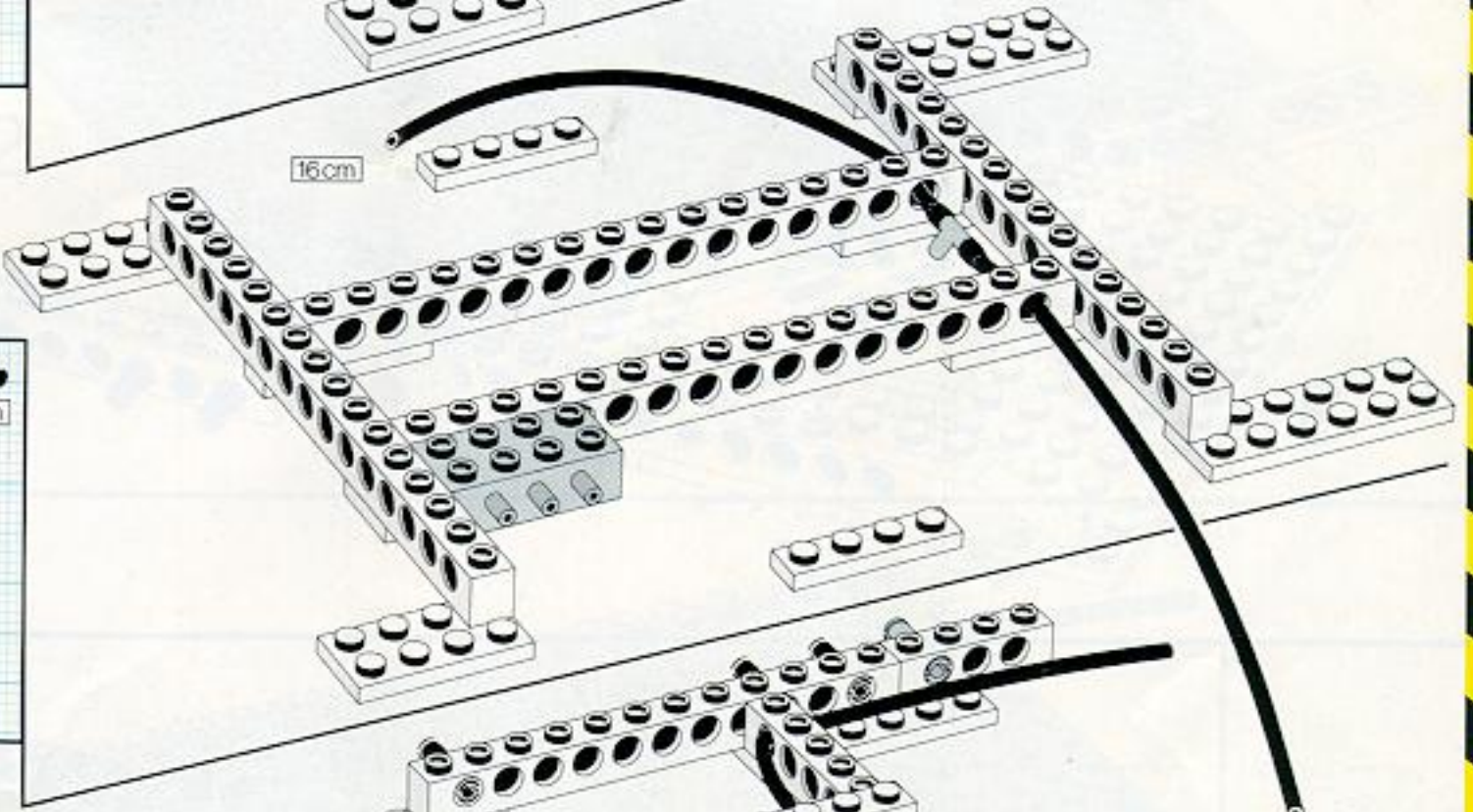
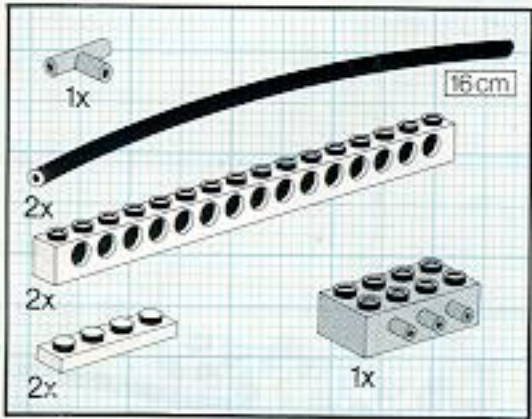
1



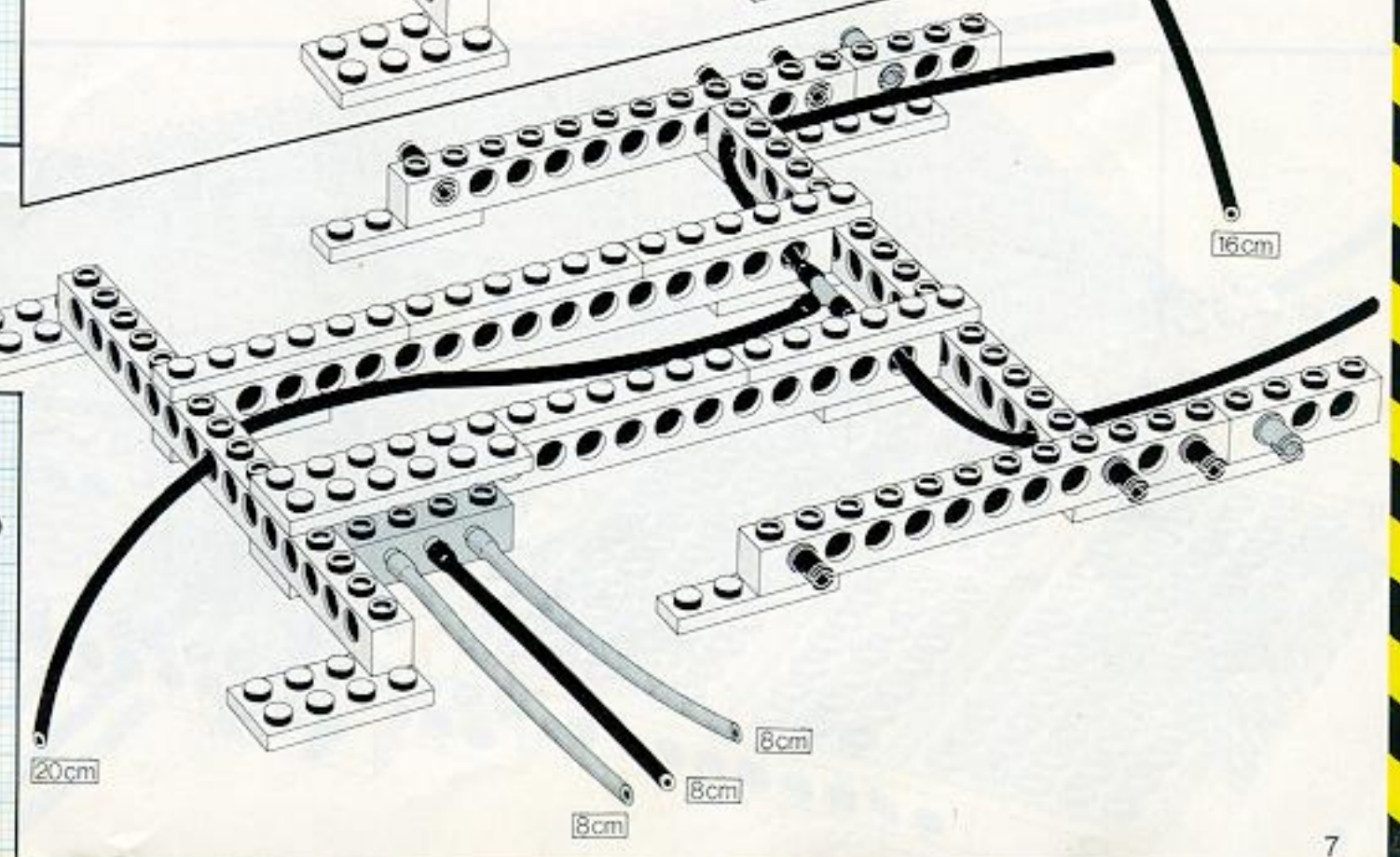
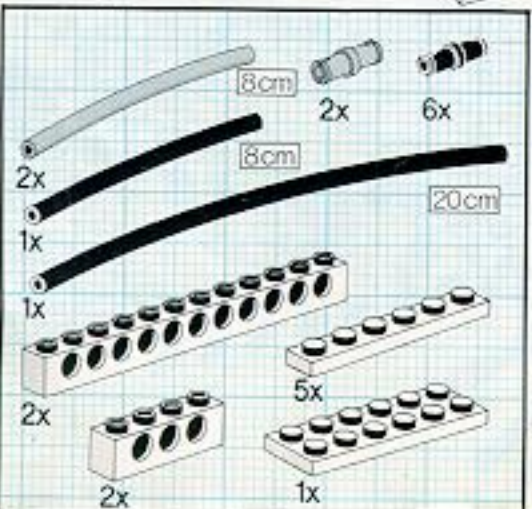
2

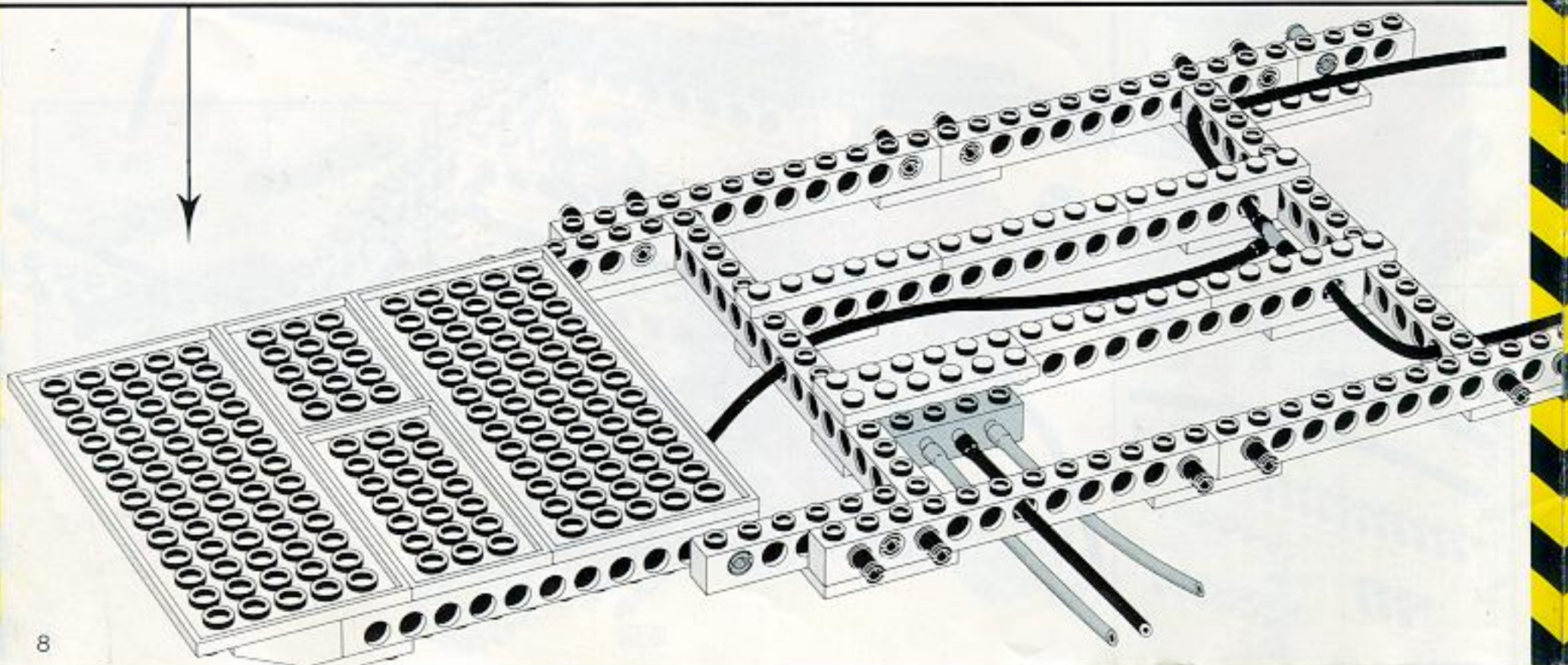
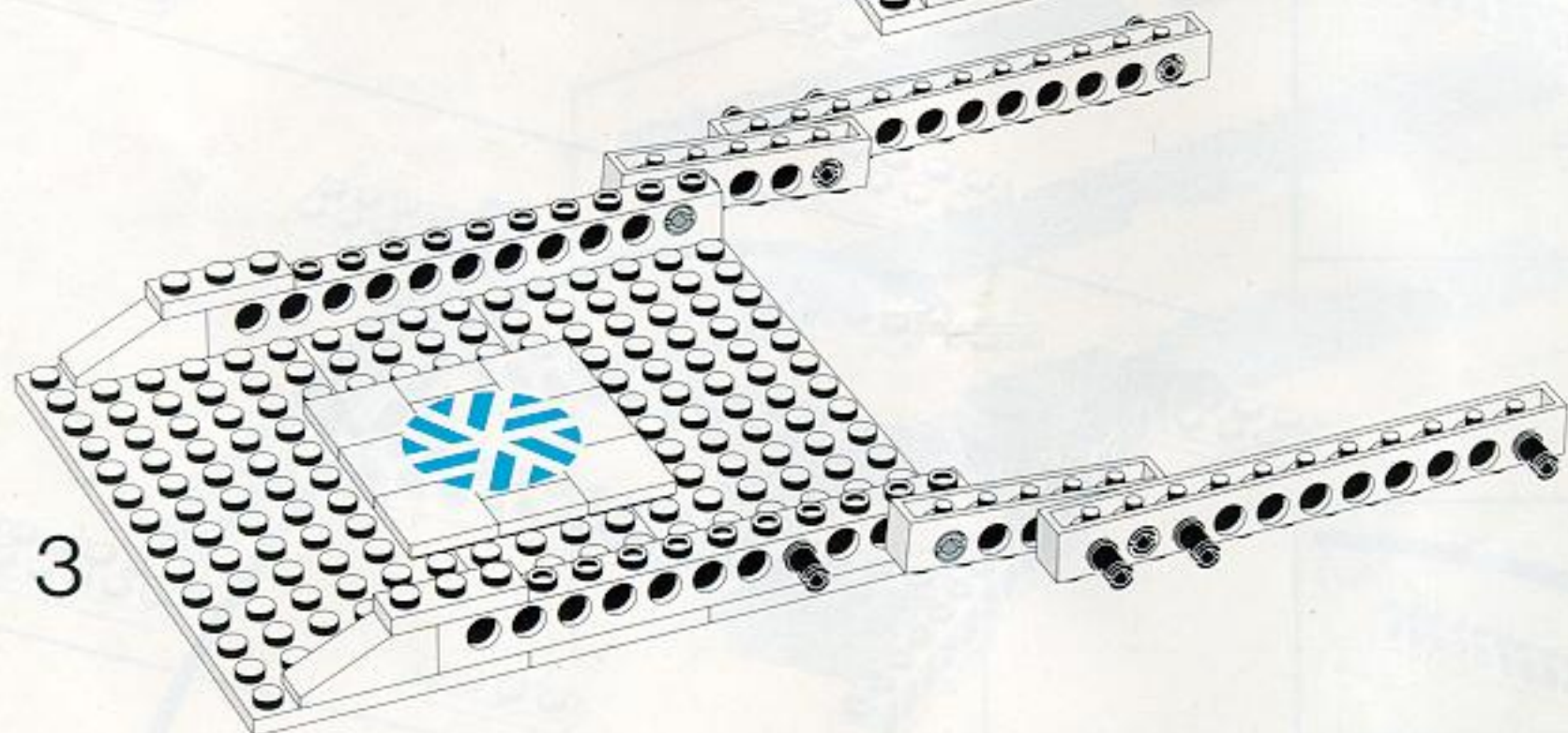
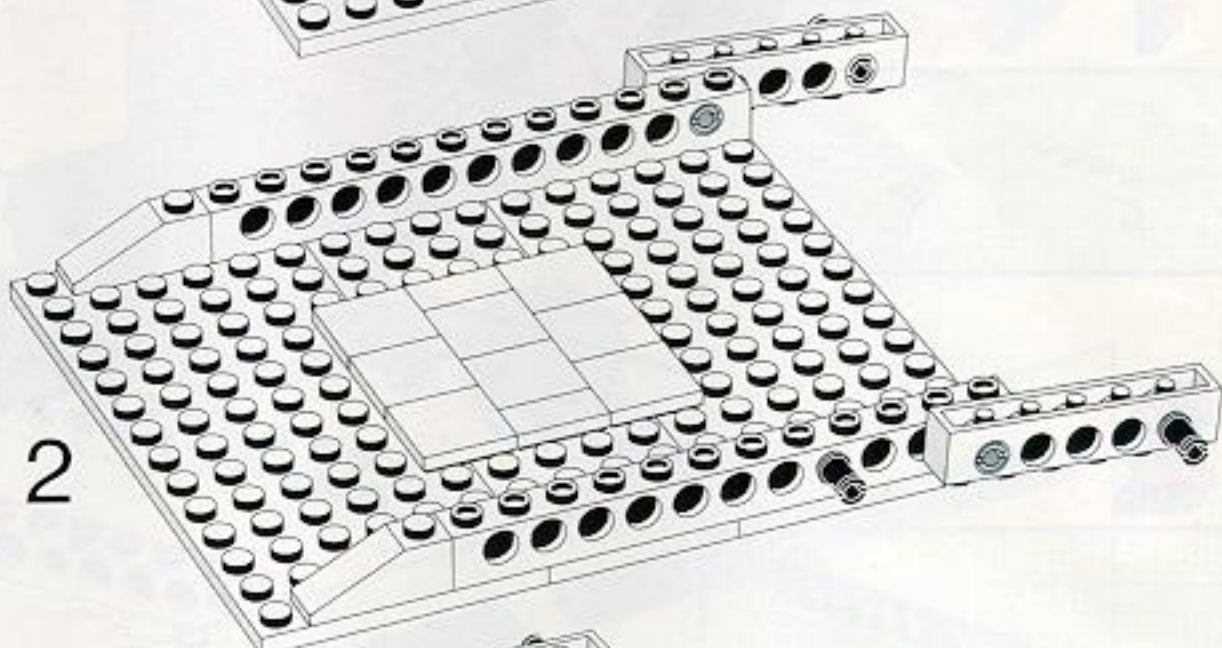
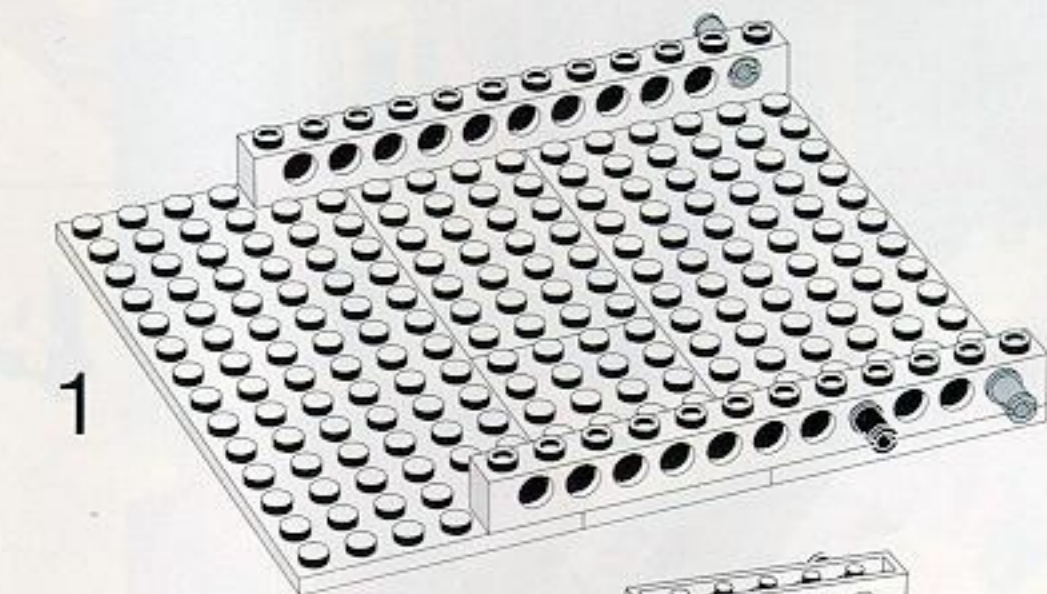
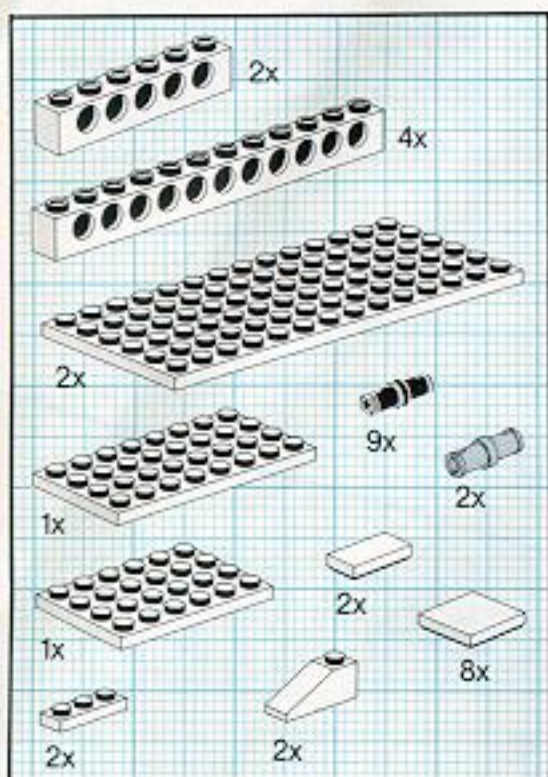


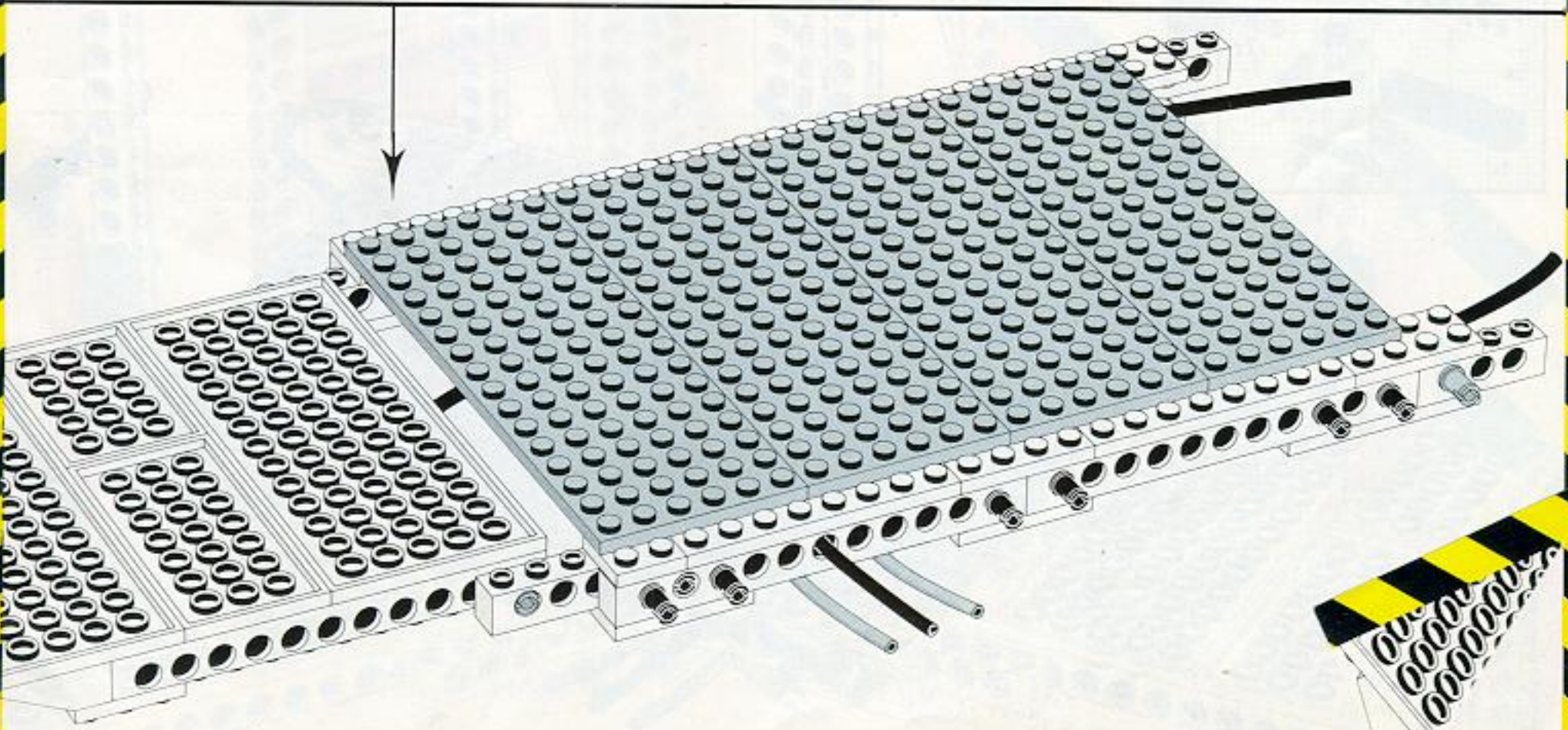
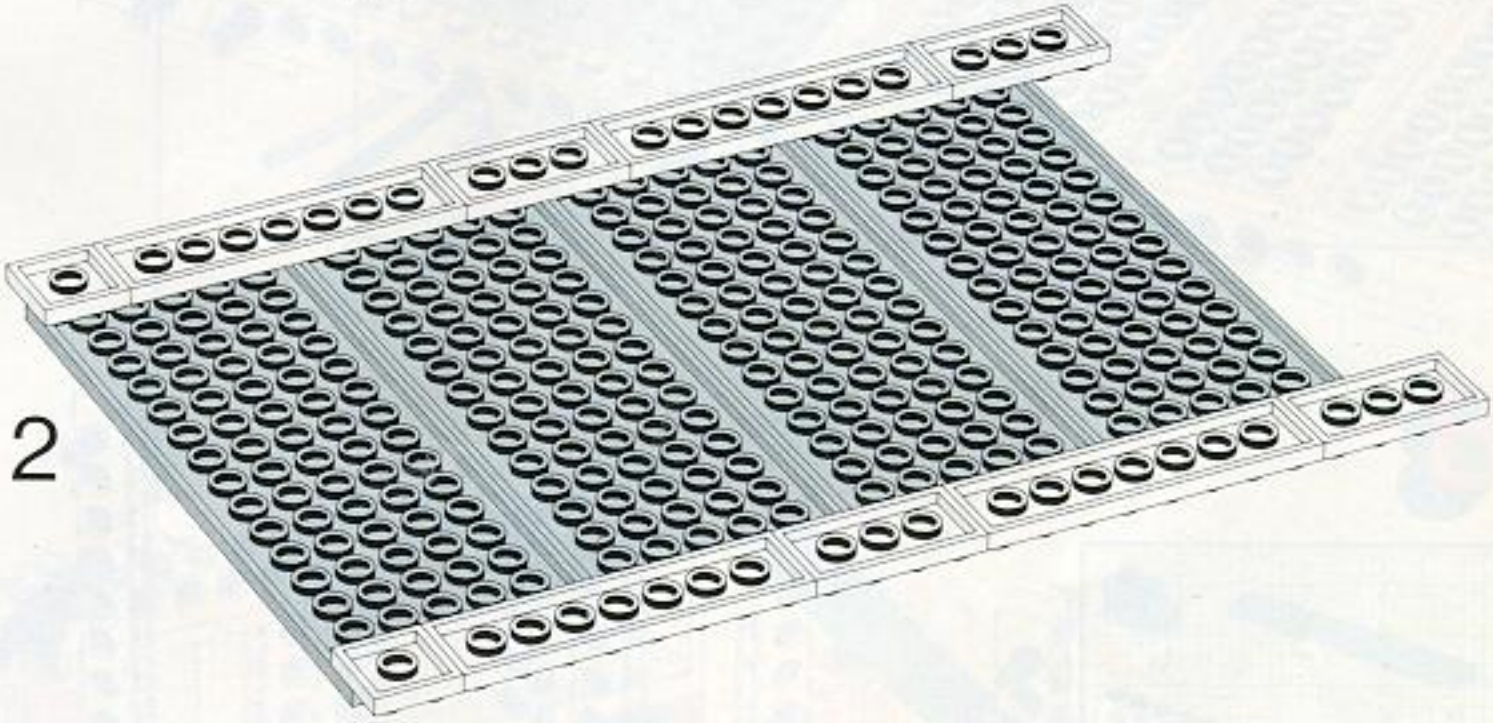
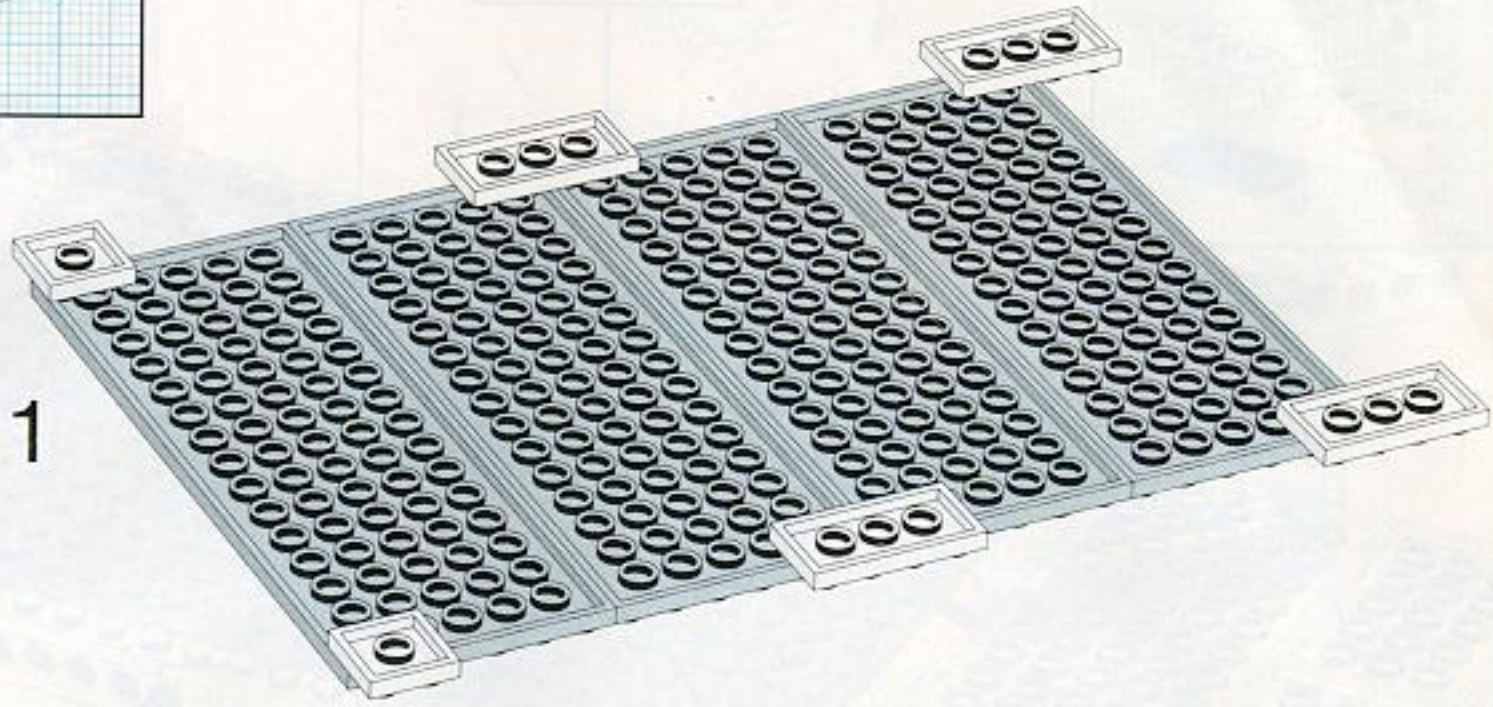
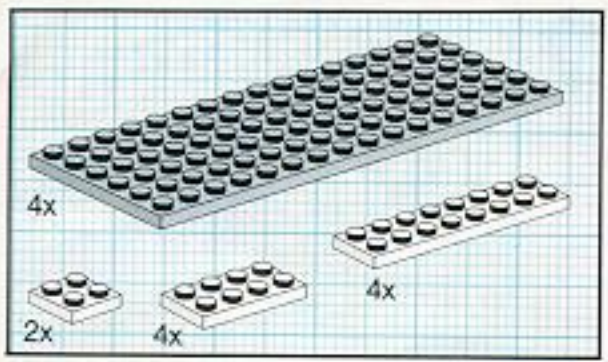
3



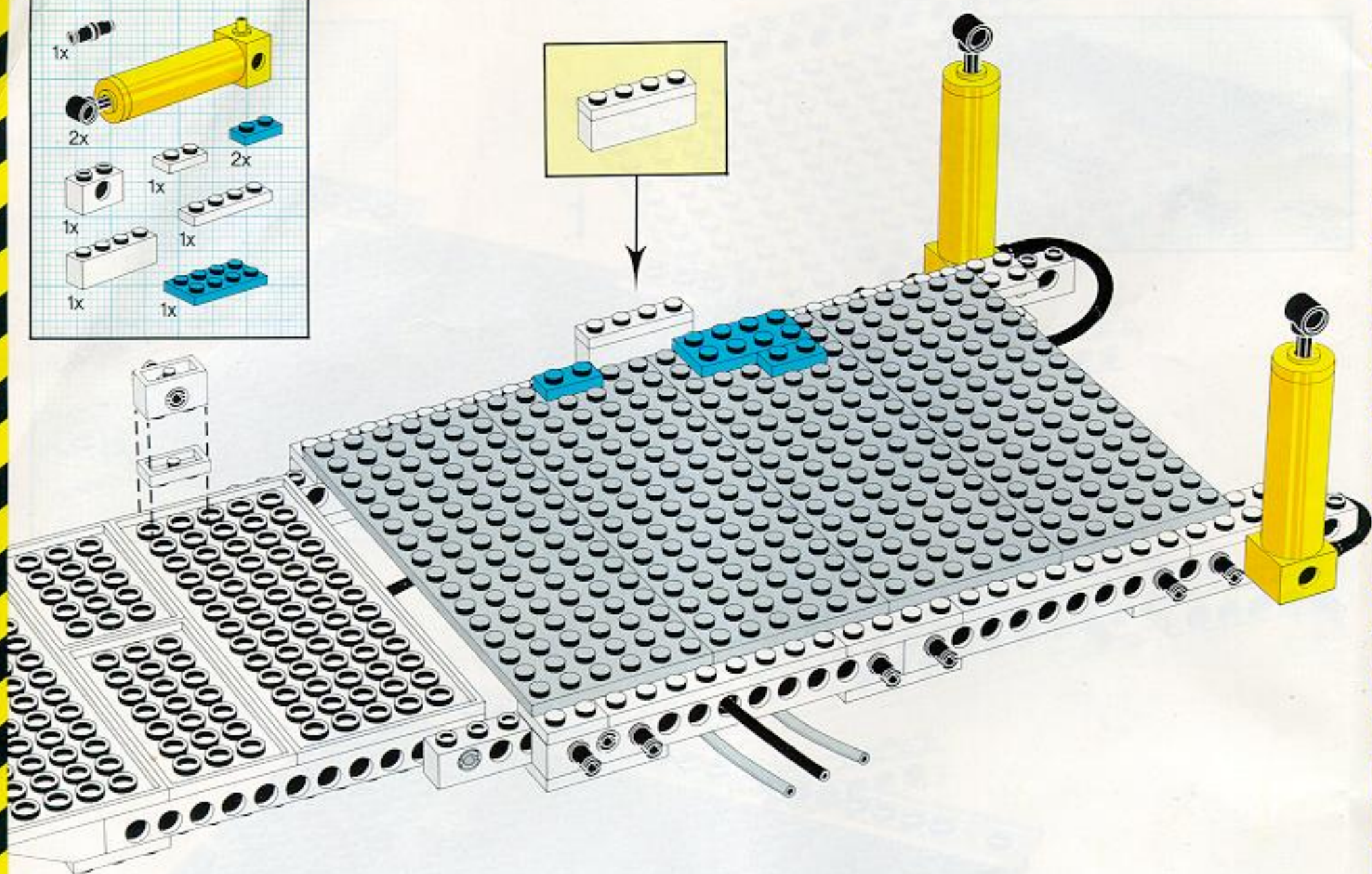
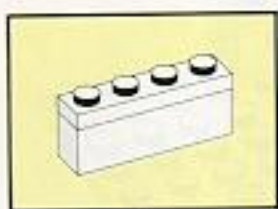
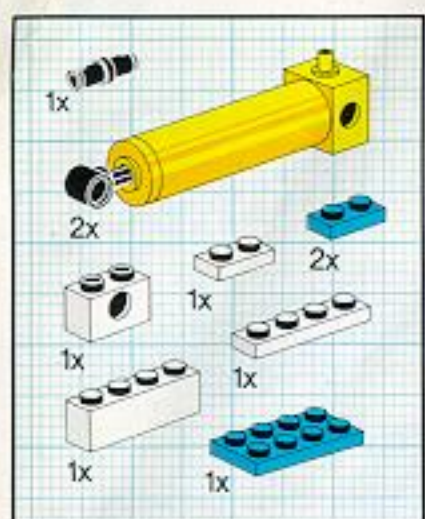
4



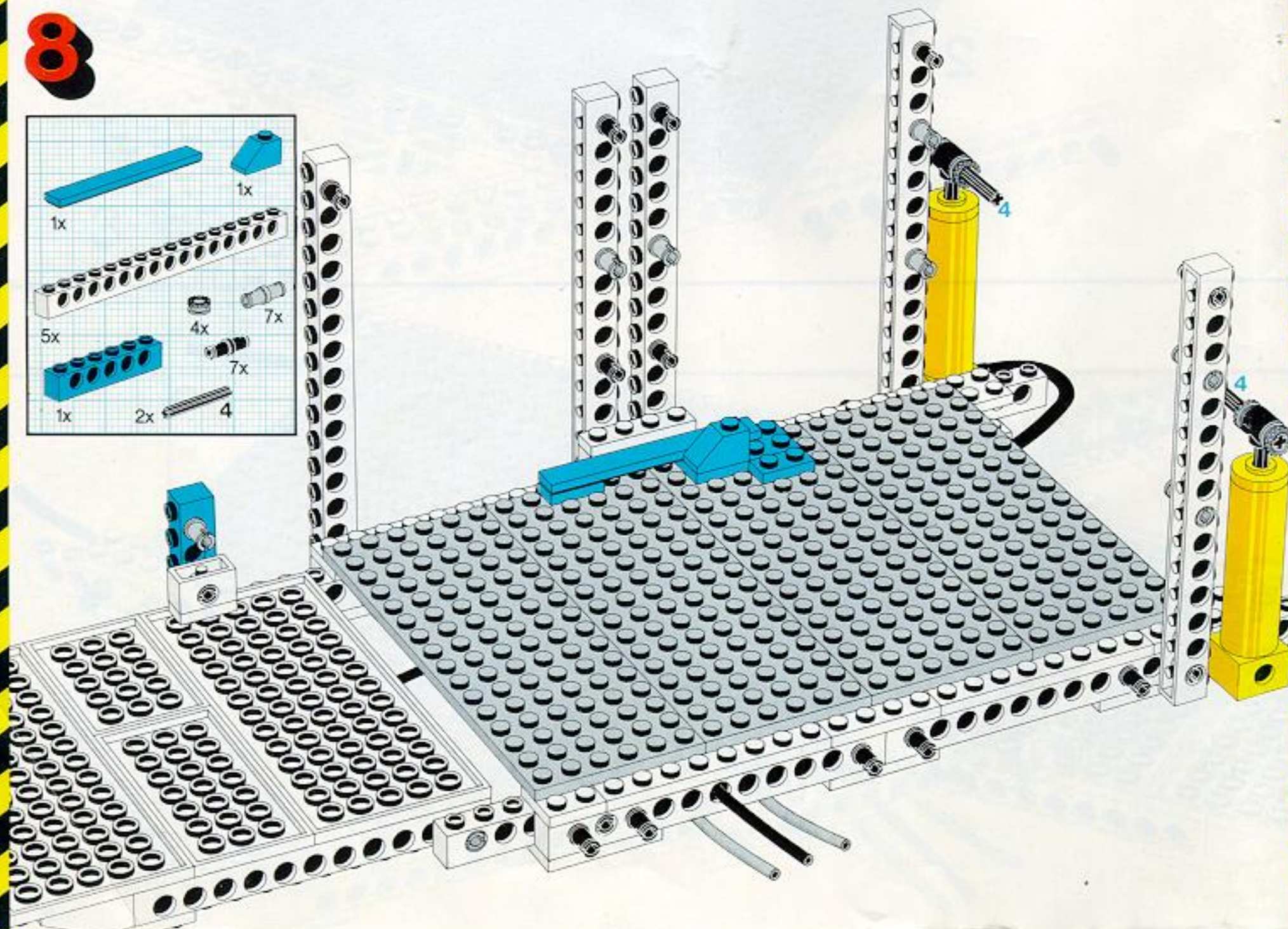
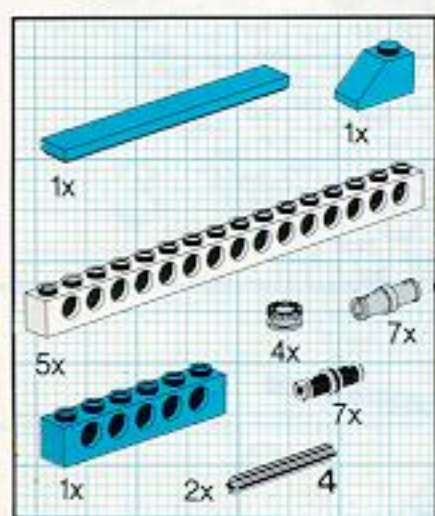




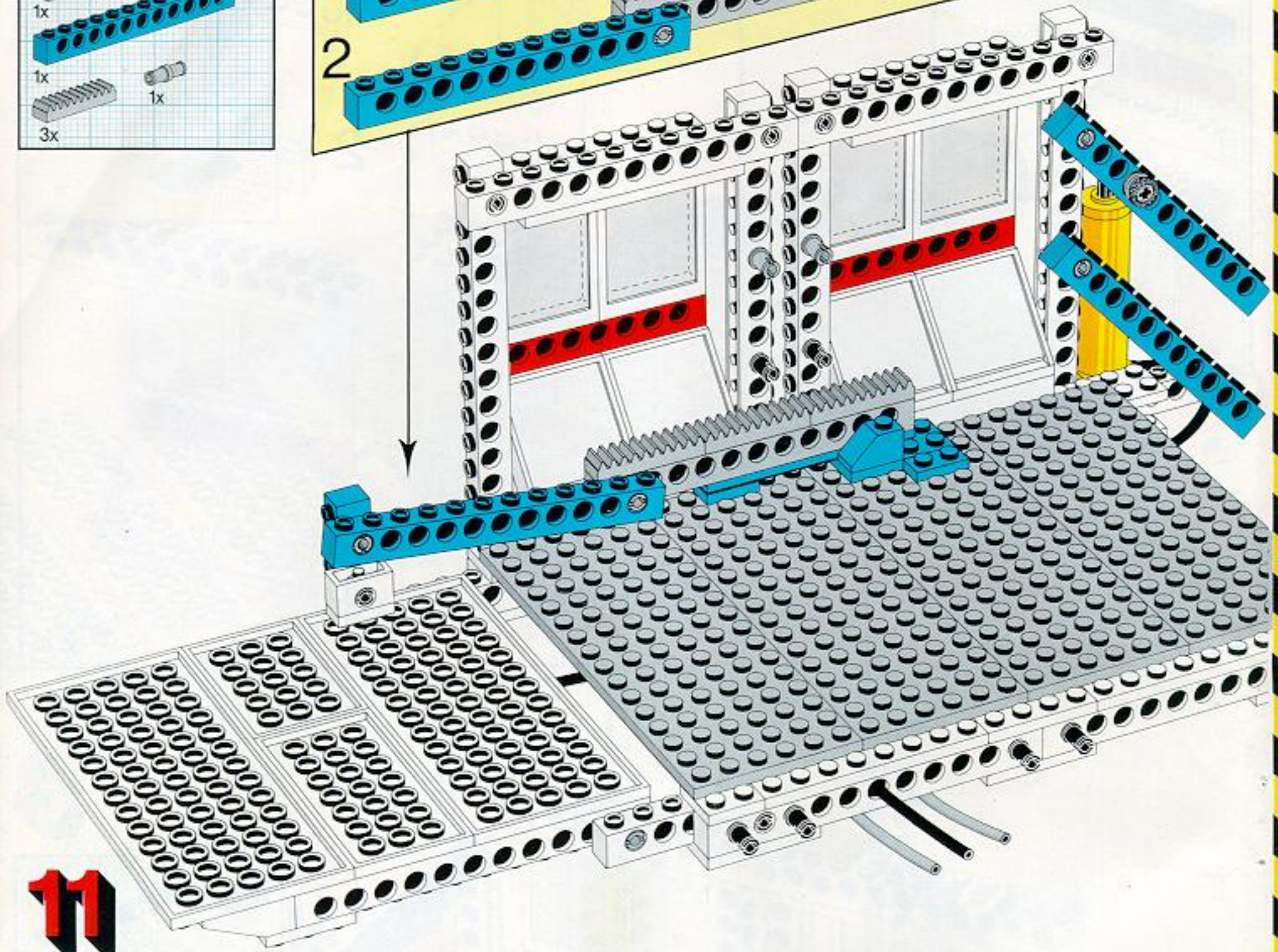
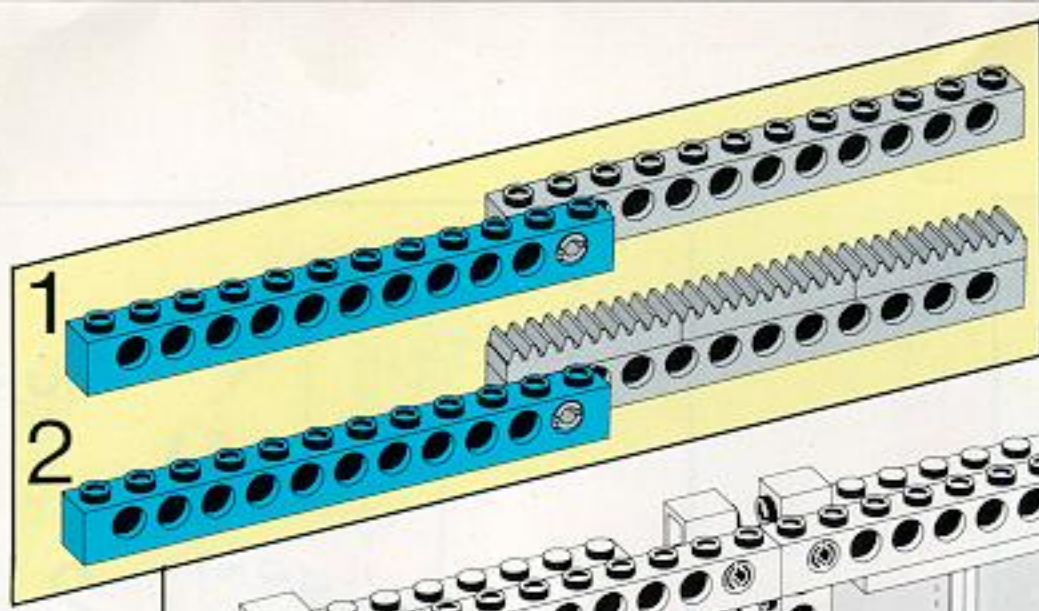
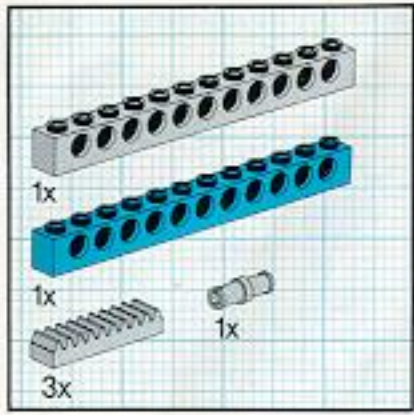
7



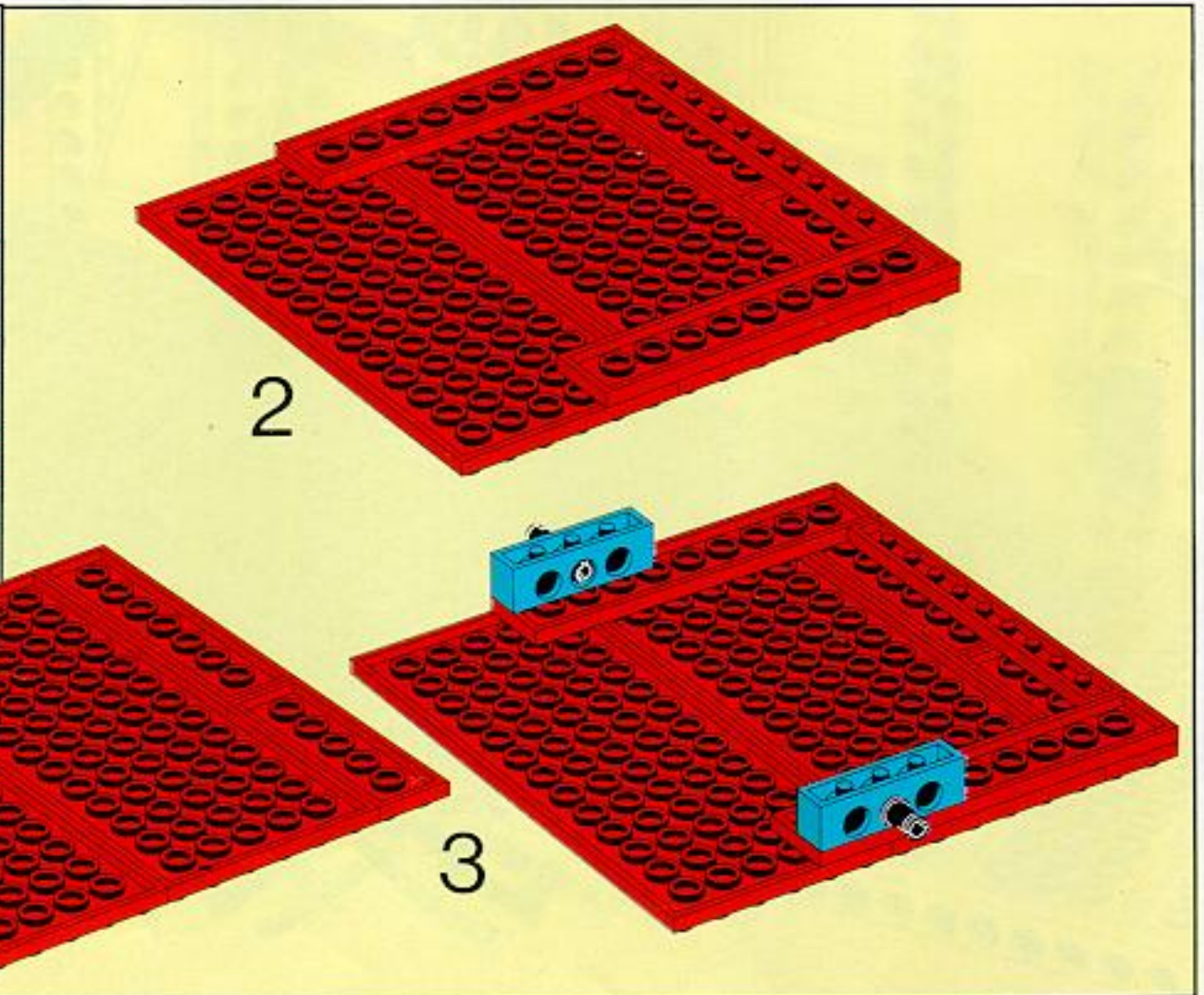
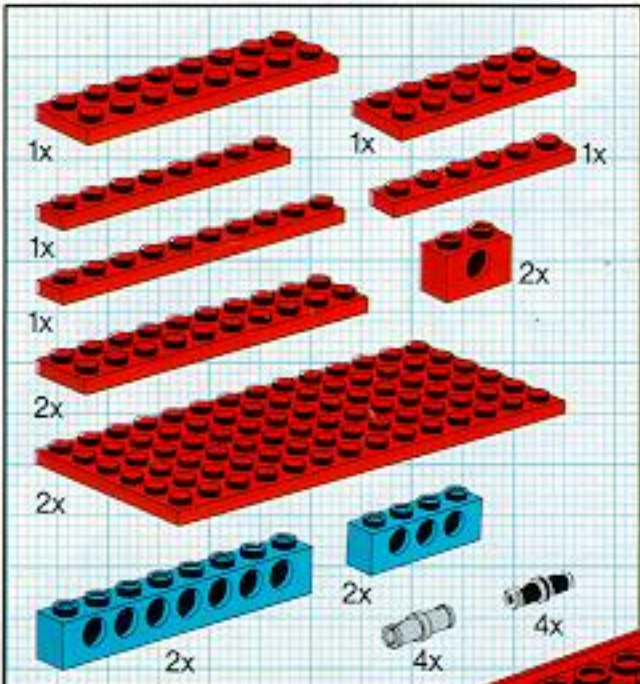
8

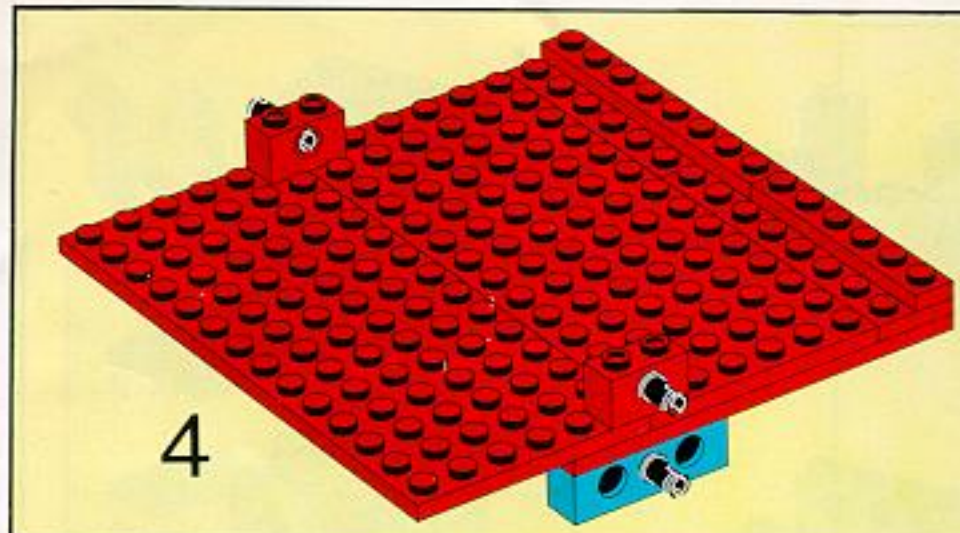


10

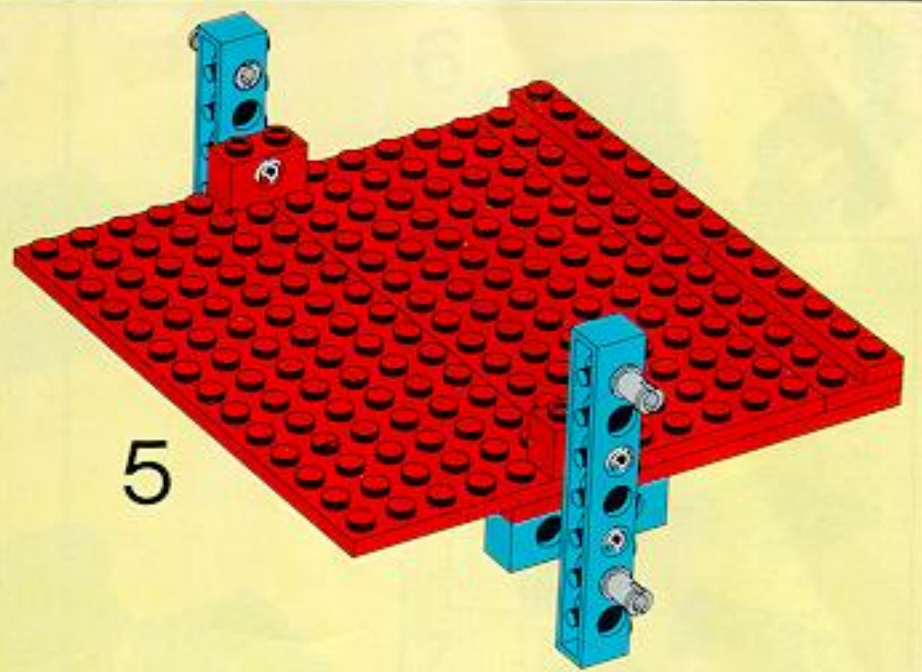


11

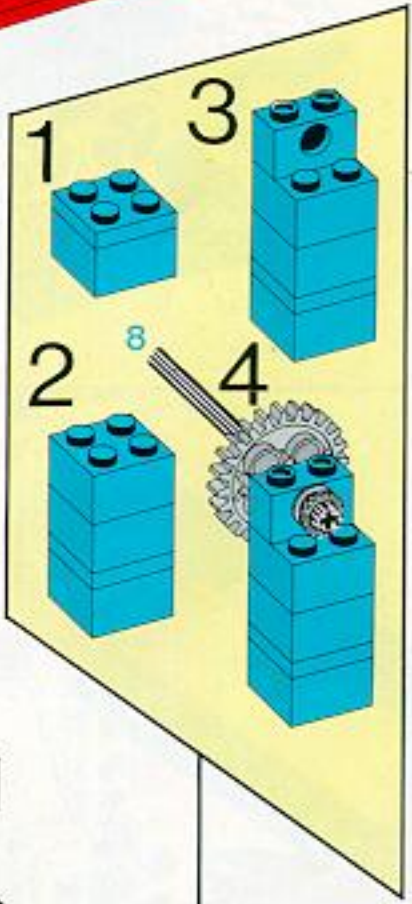
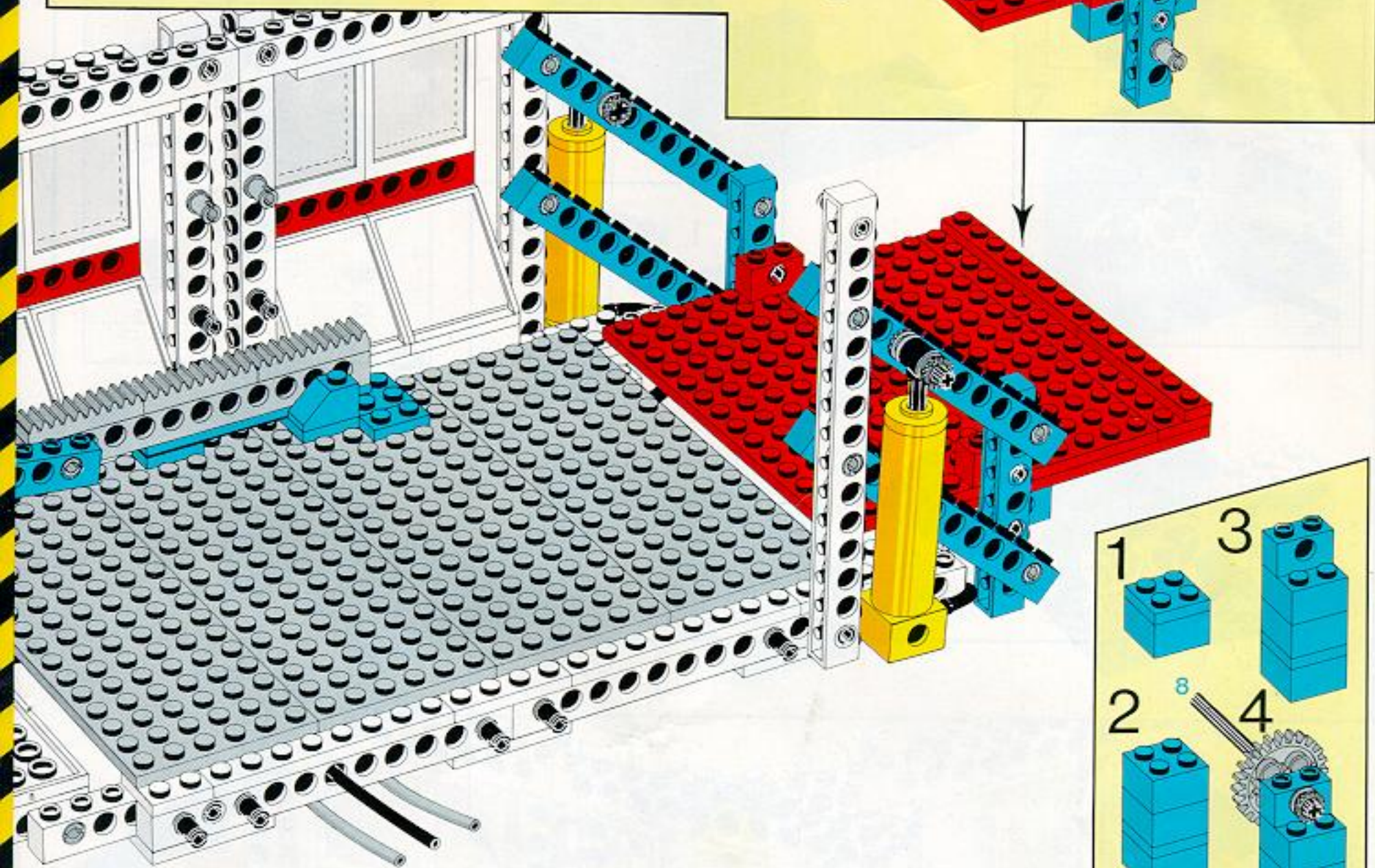




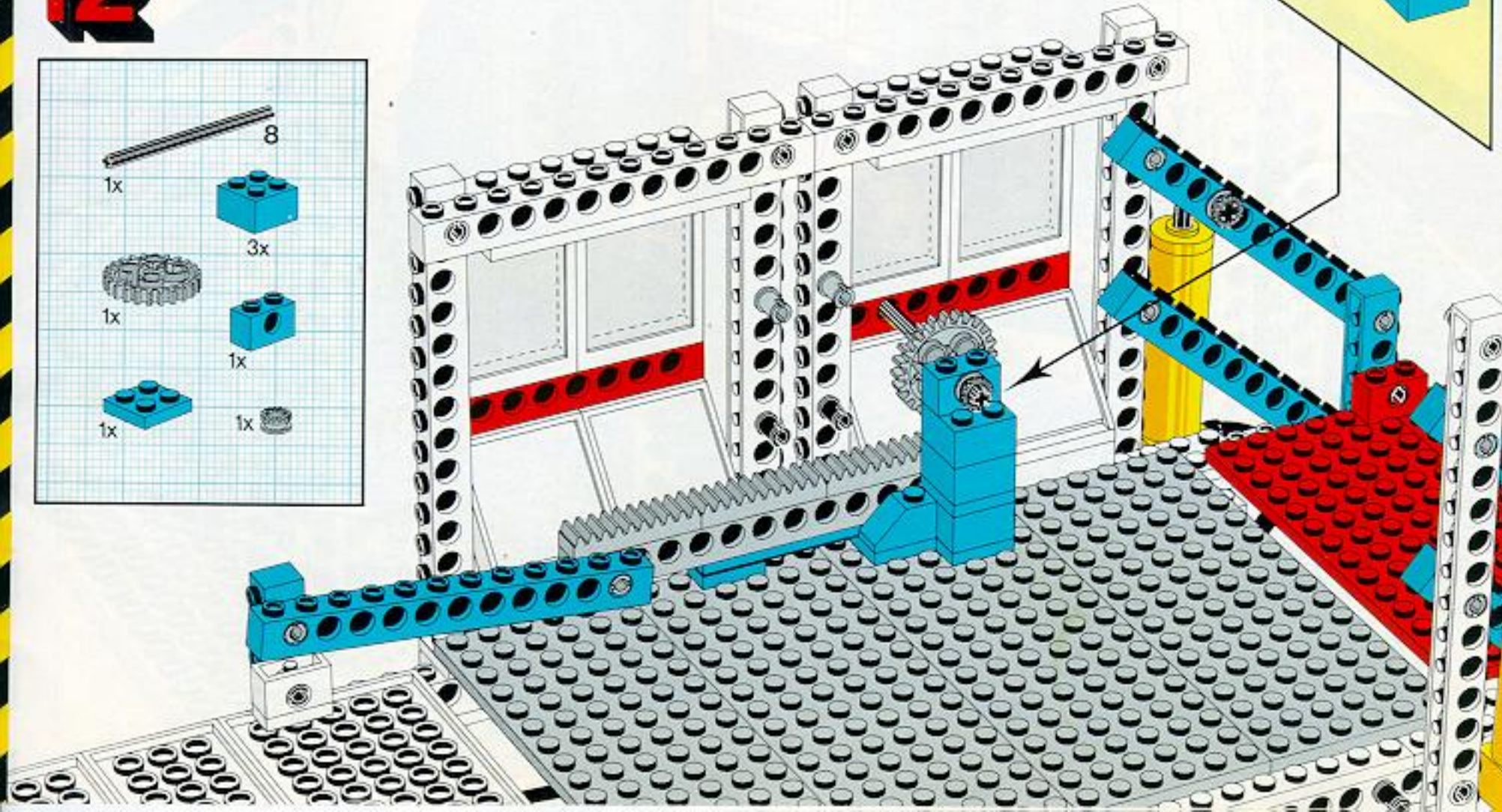
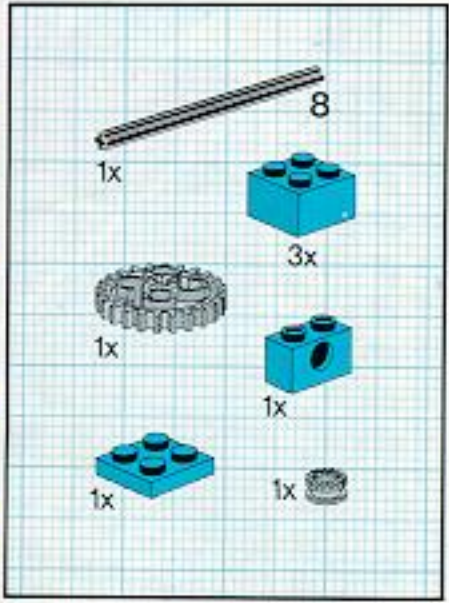
4



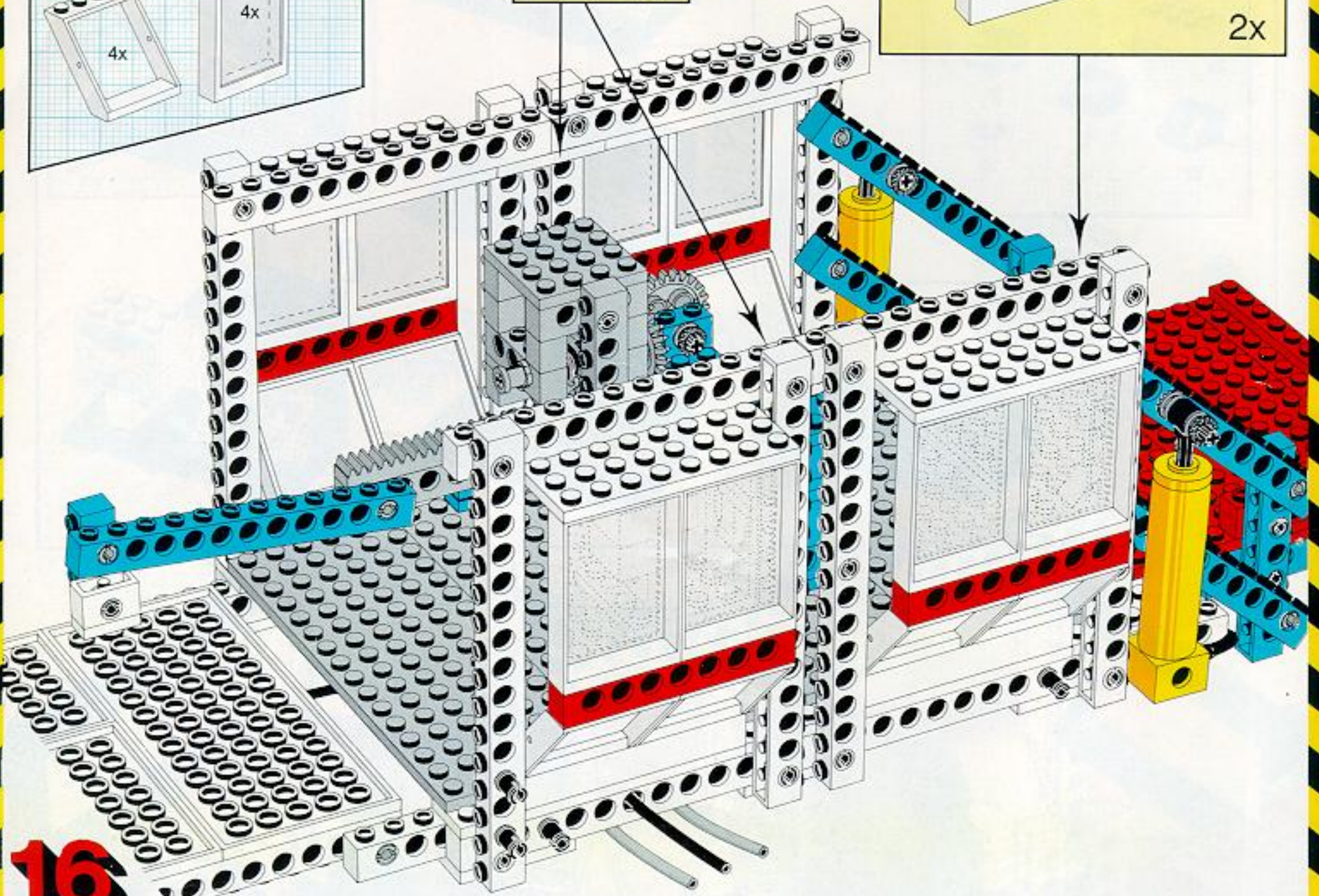
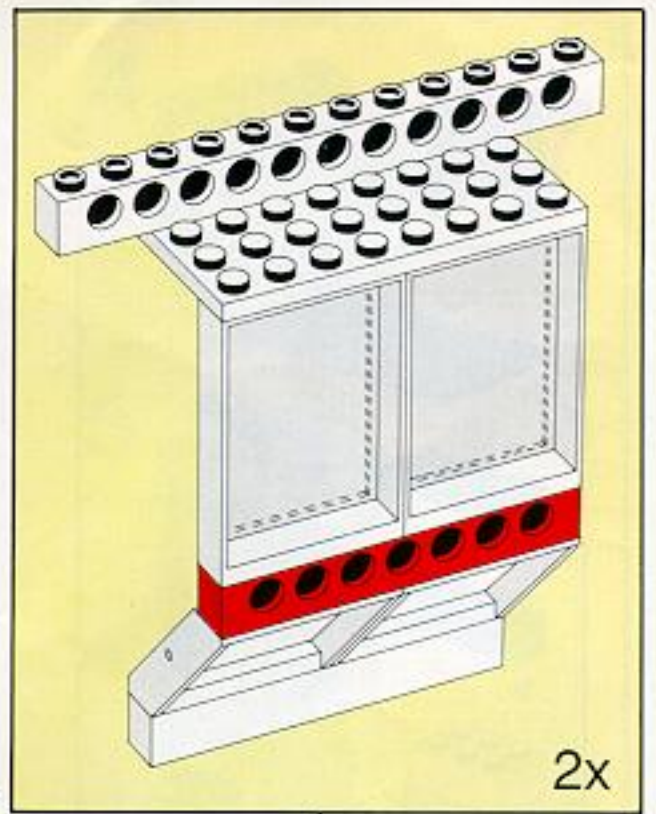
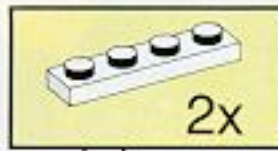
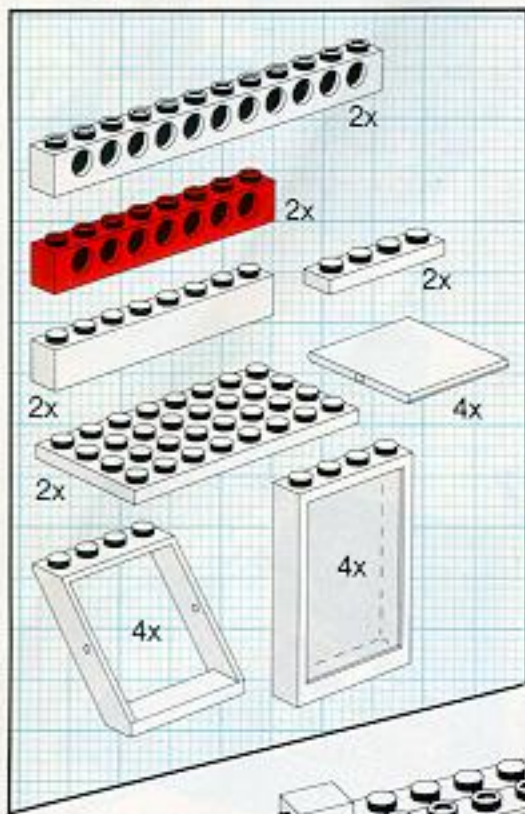
5



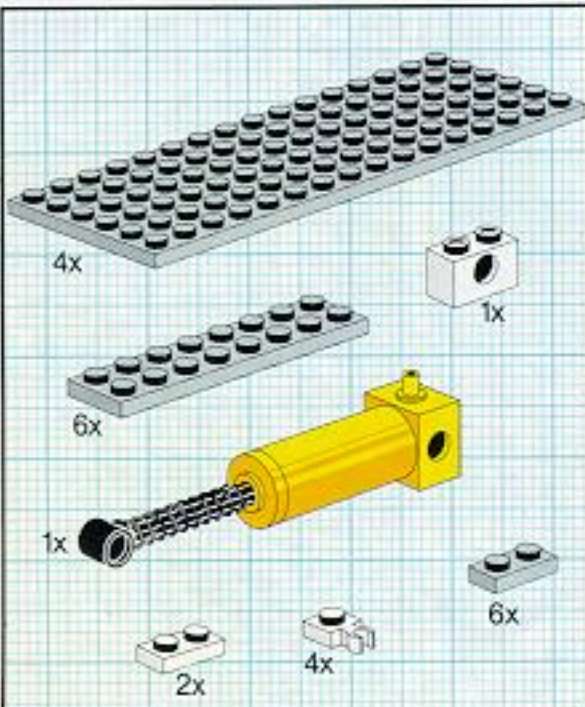
12



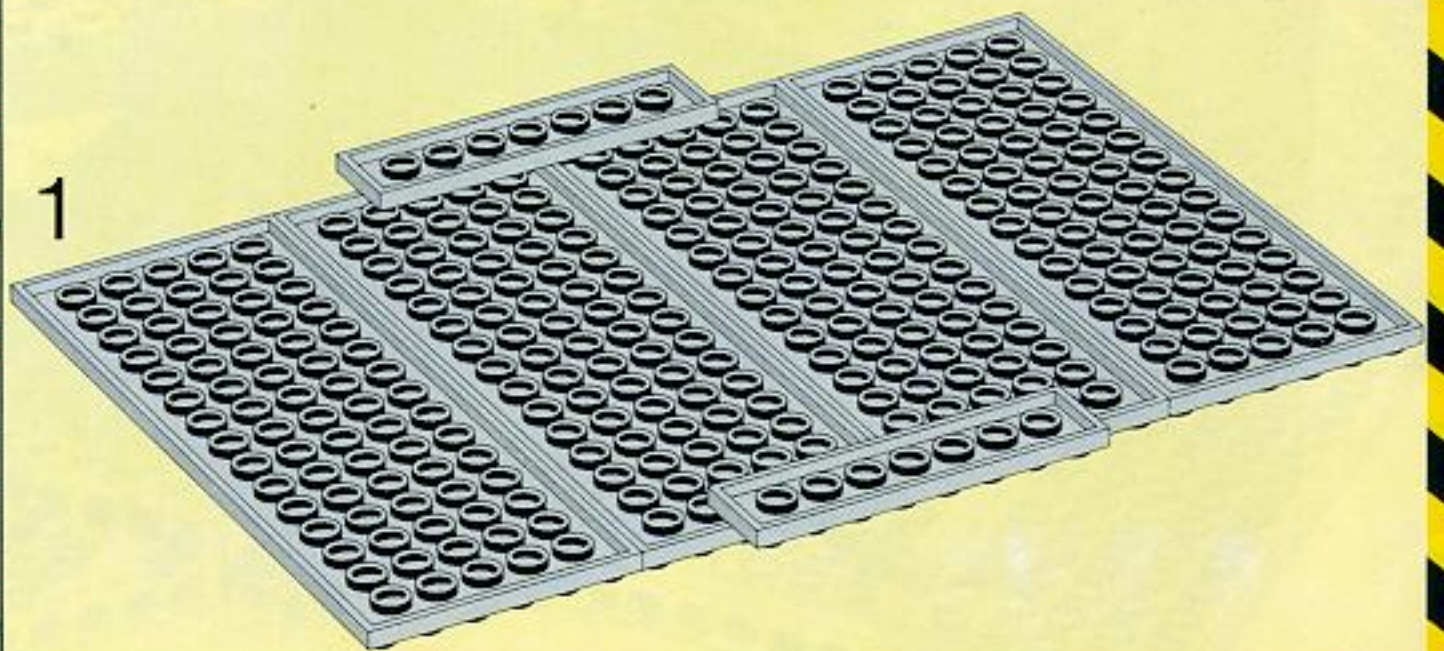
15

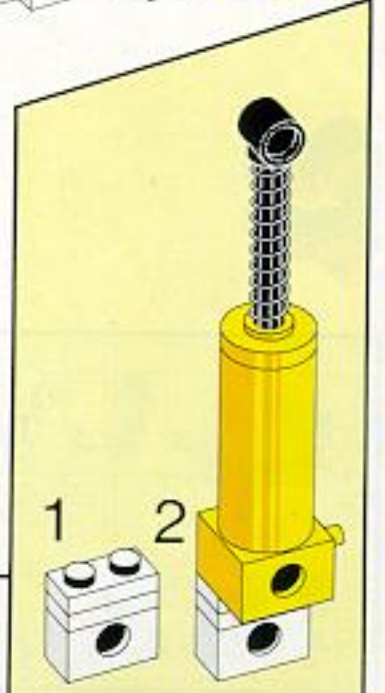
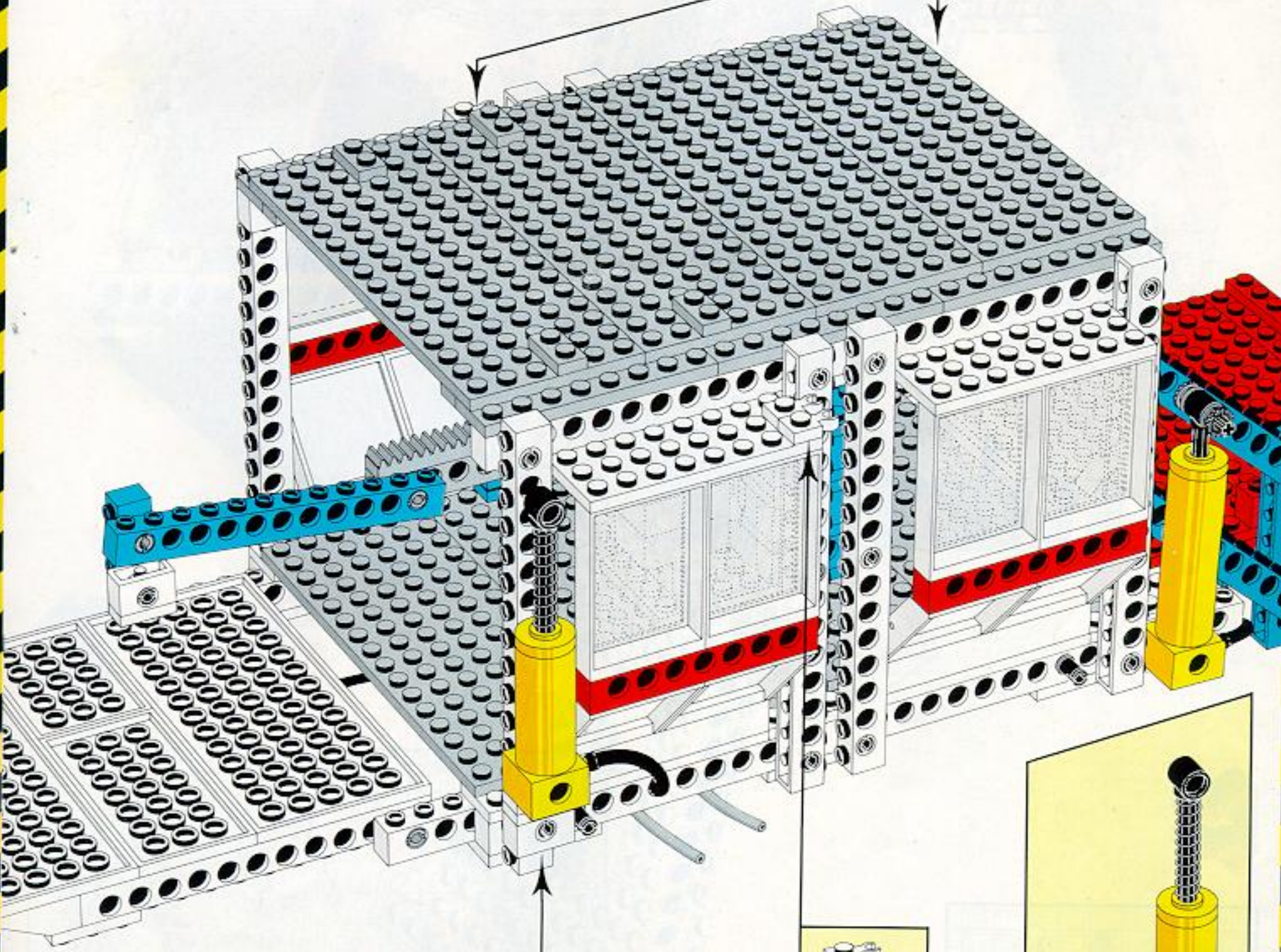
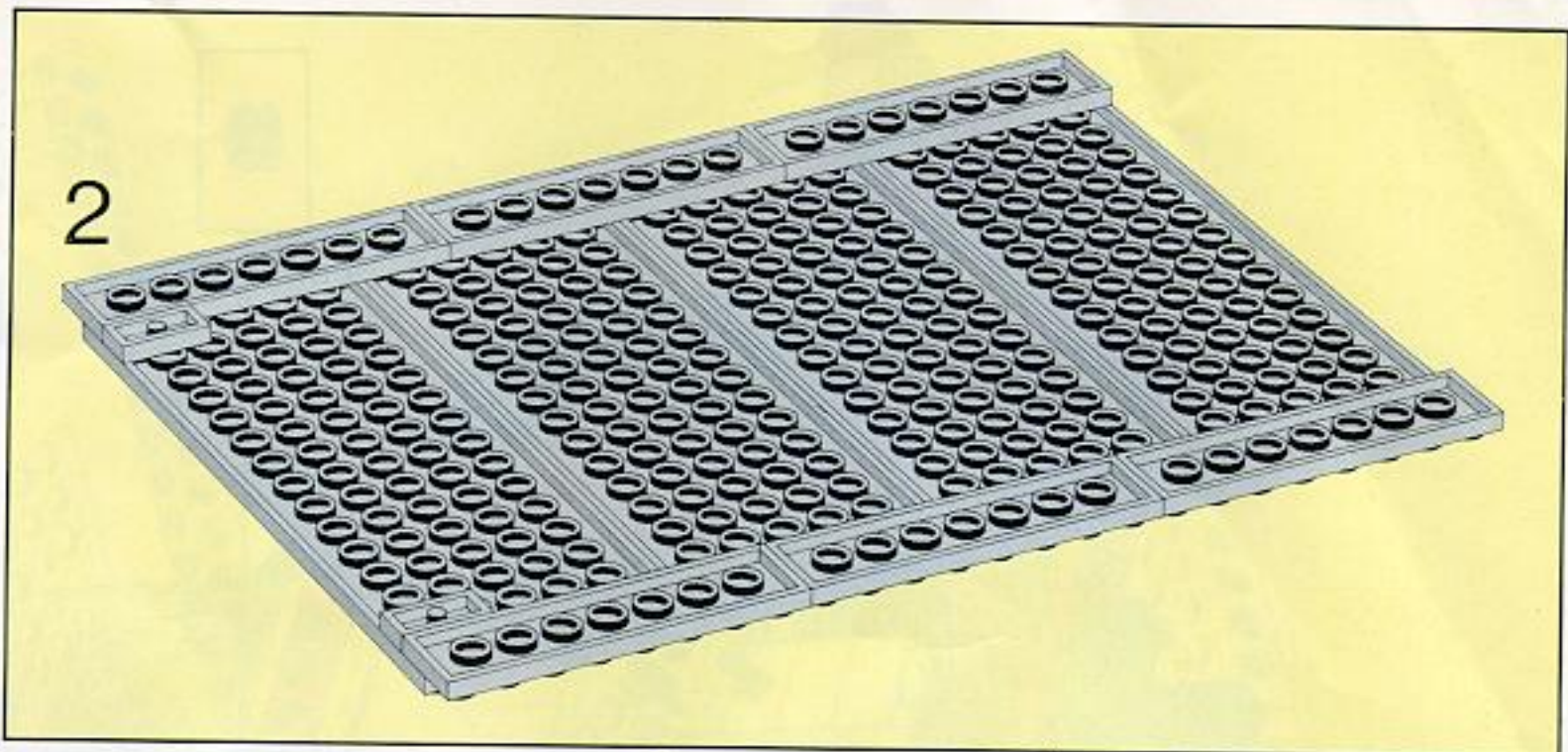


16

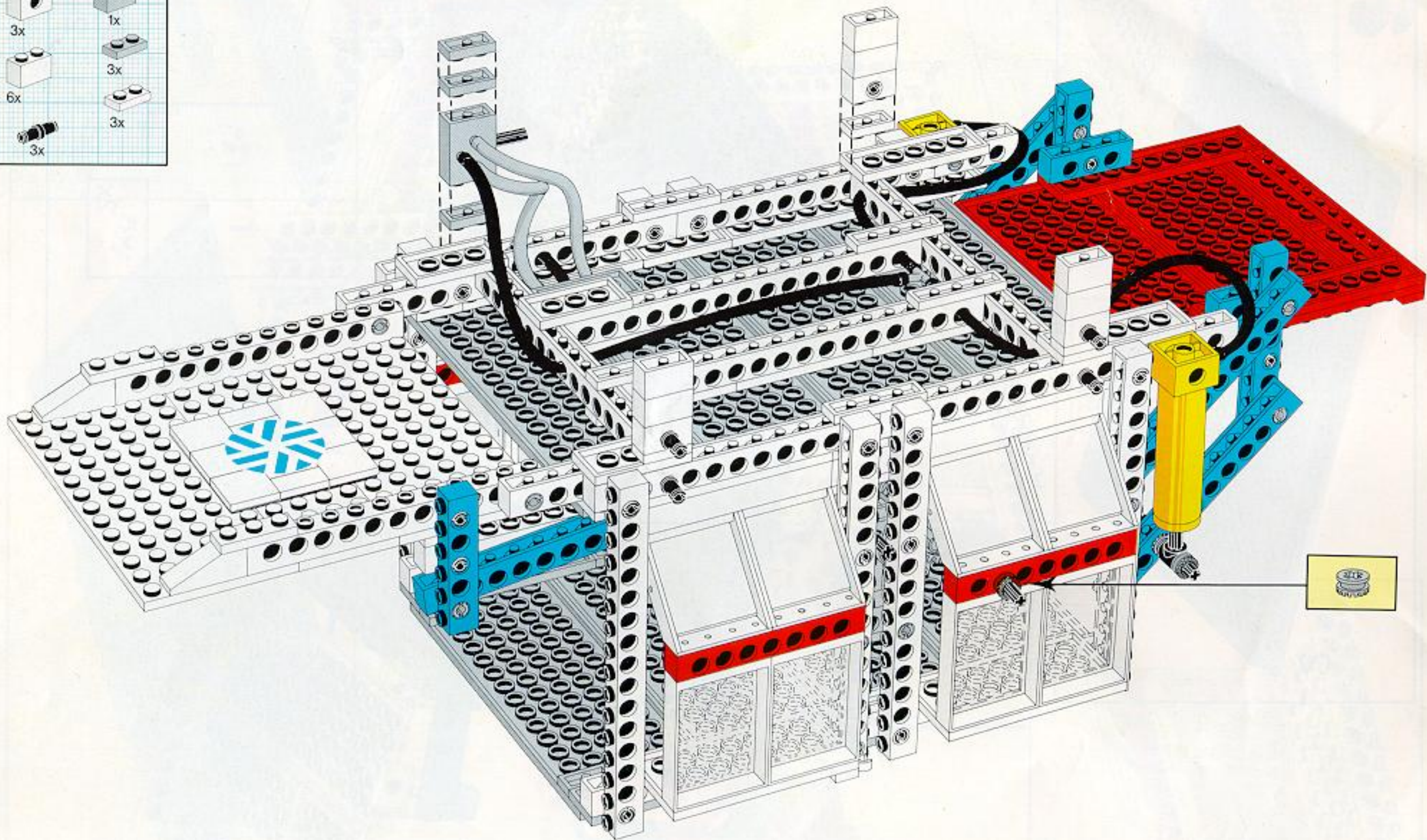
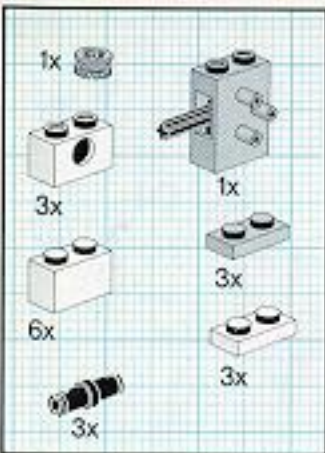


1





17



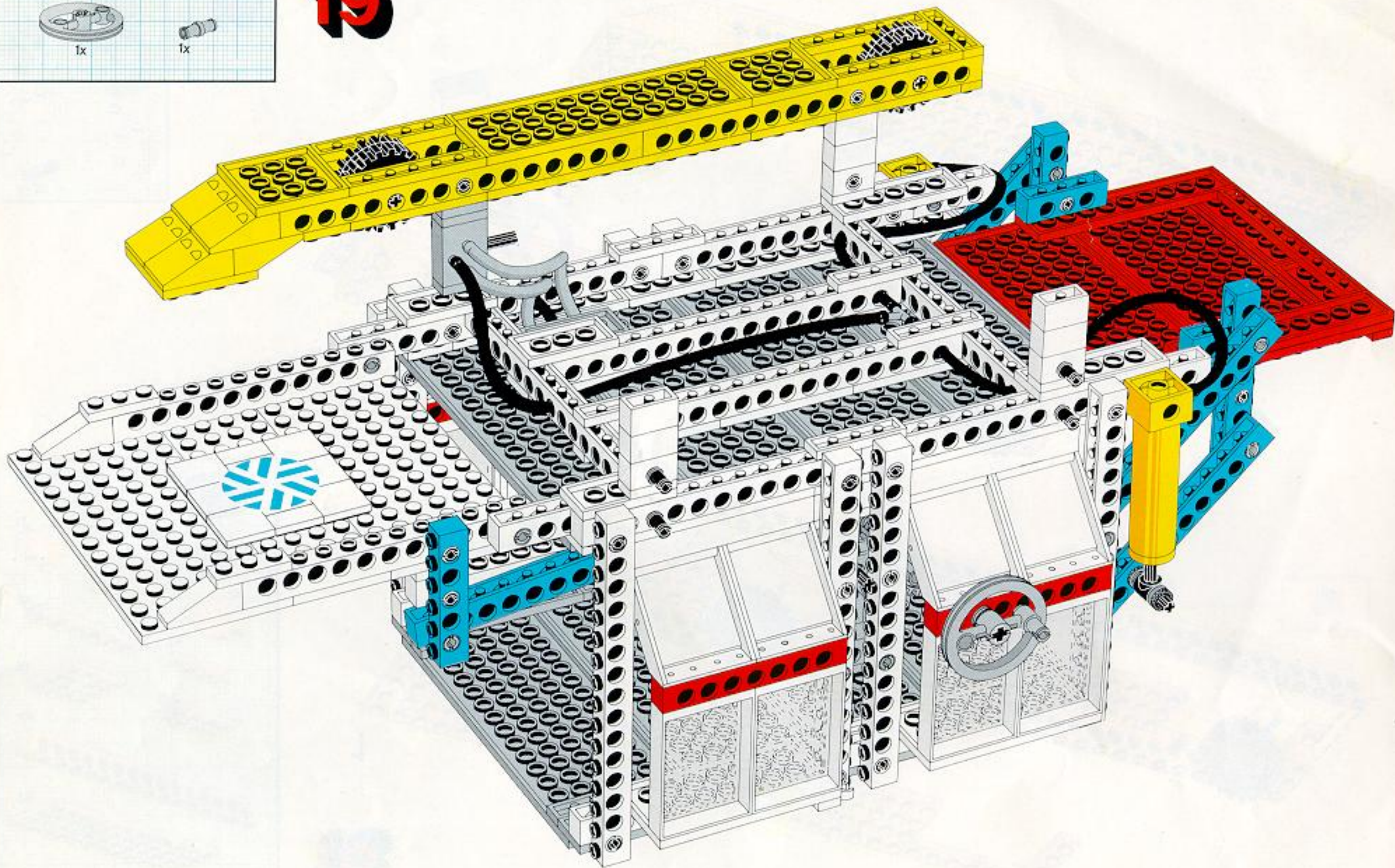
19



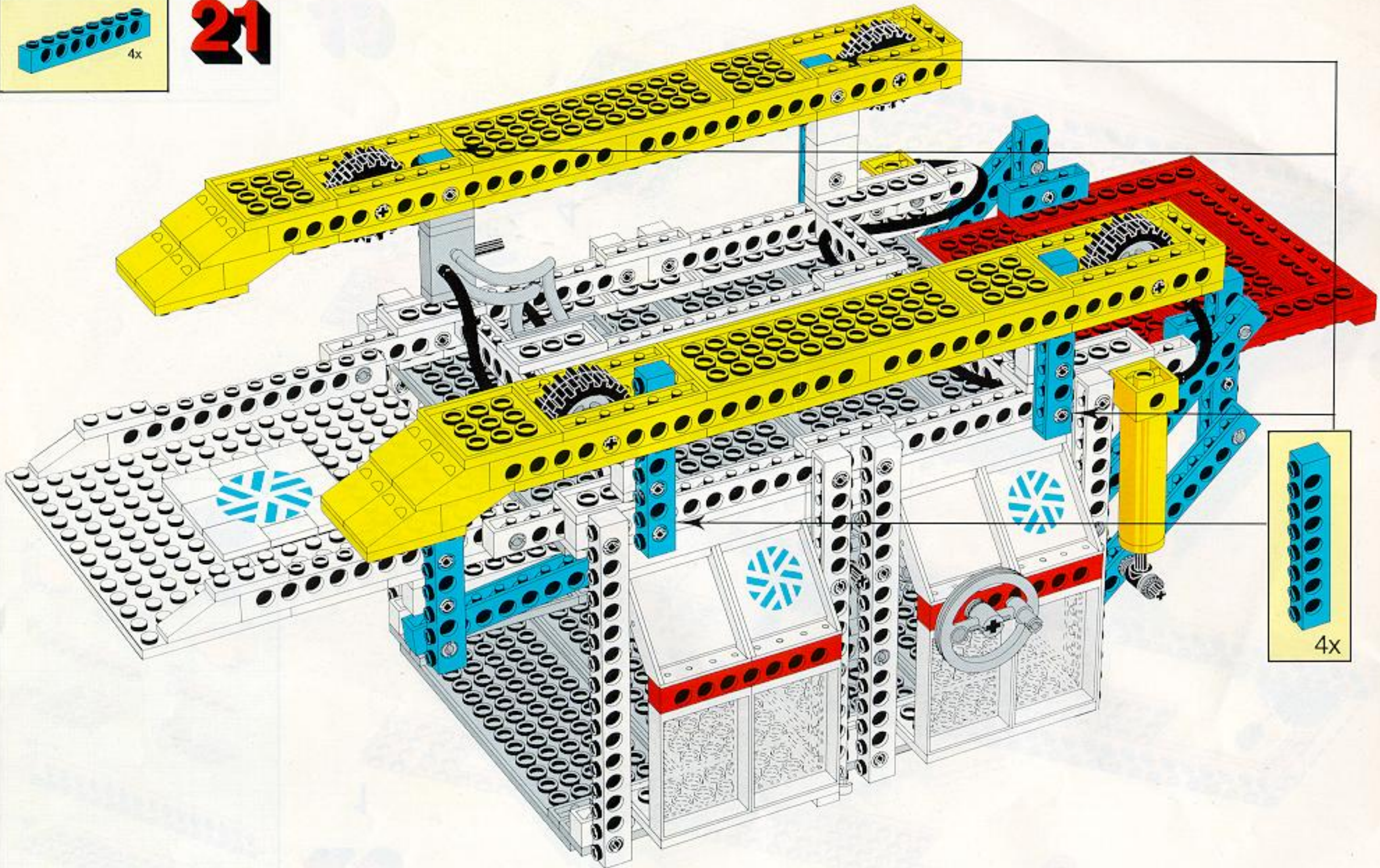
1x



1x

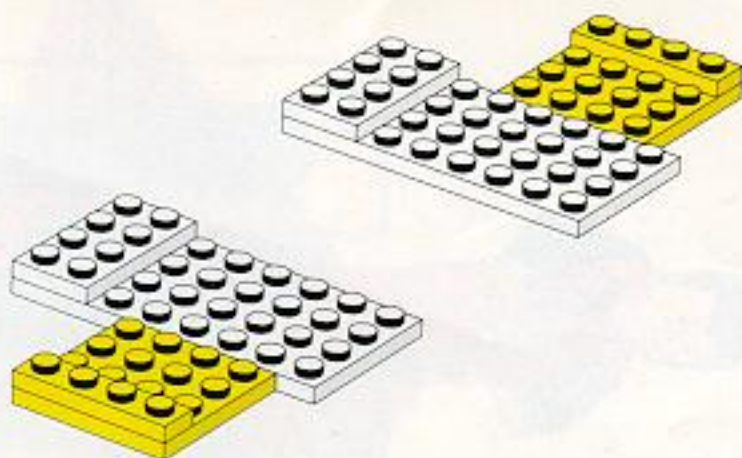


21

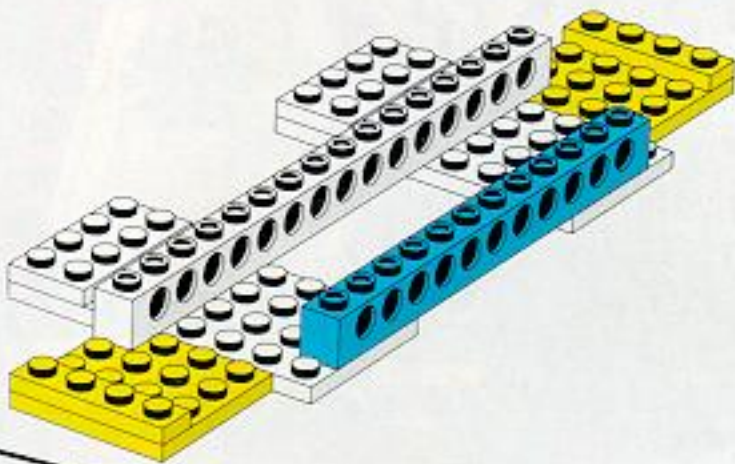




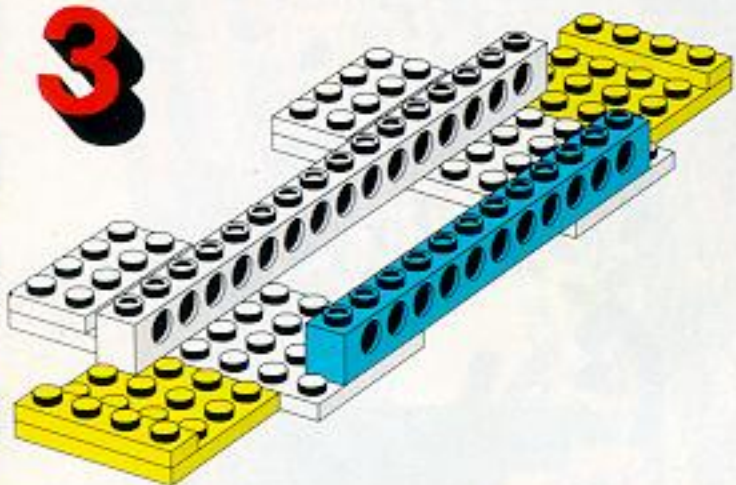
1



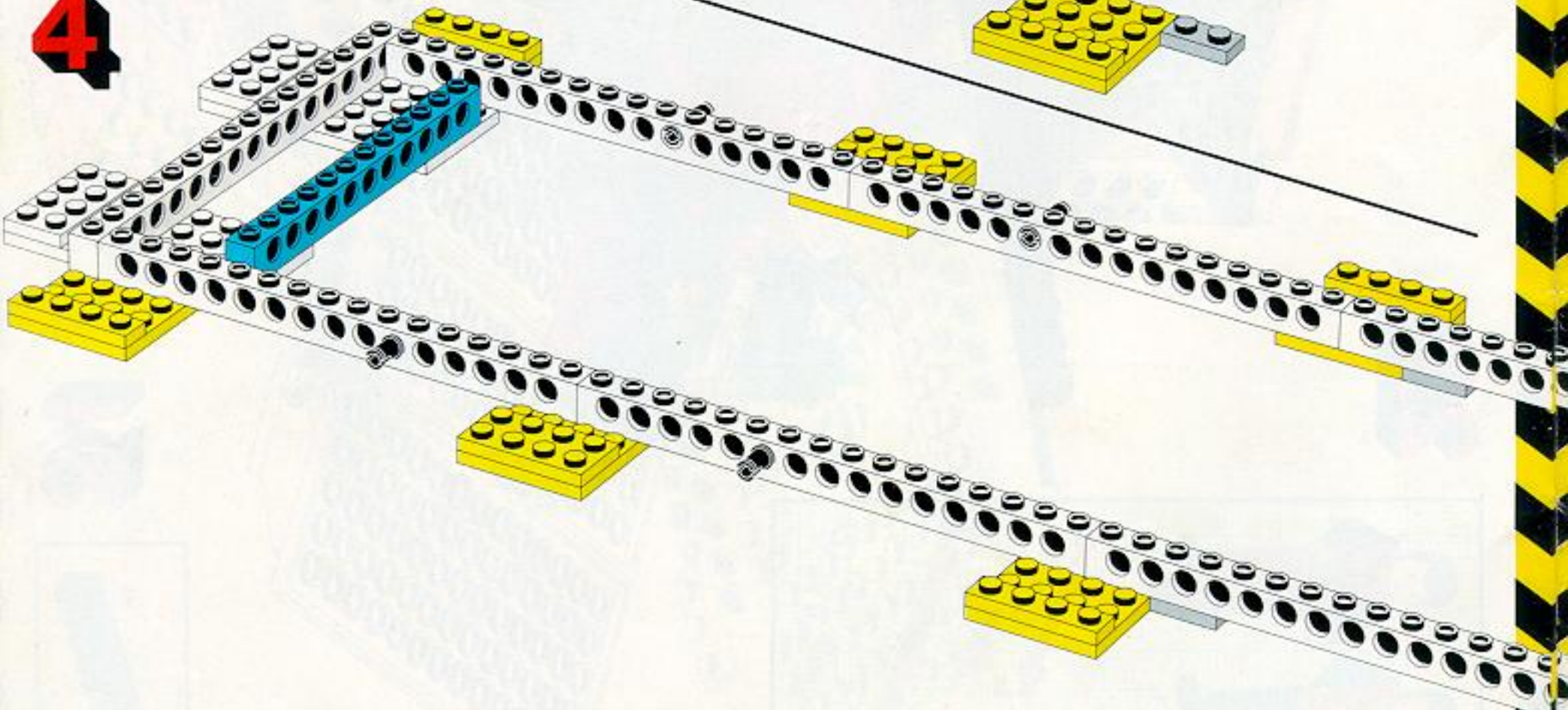
2

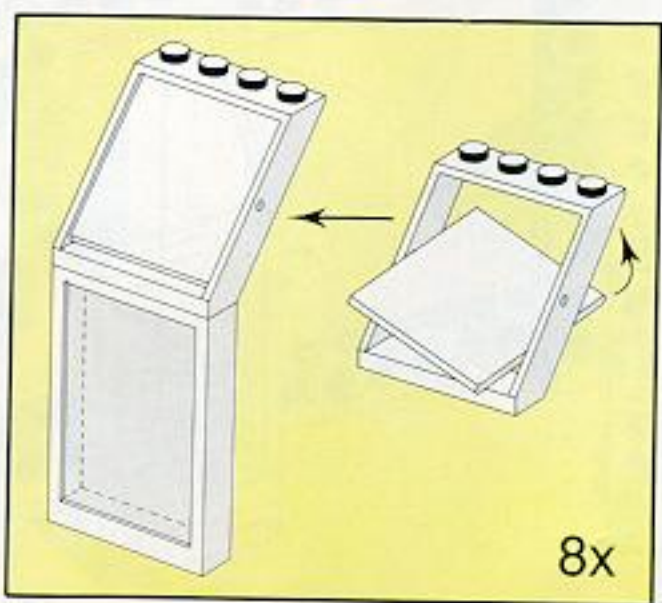
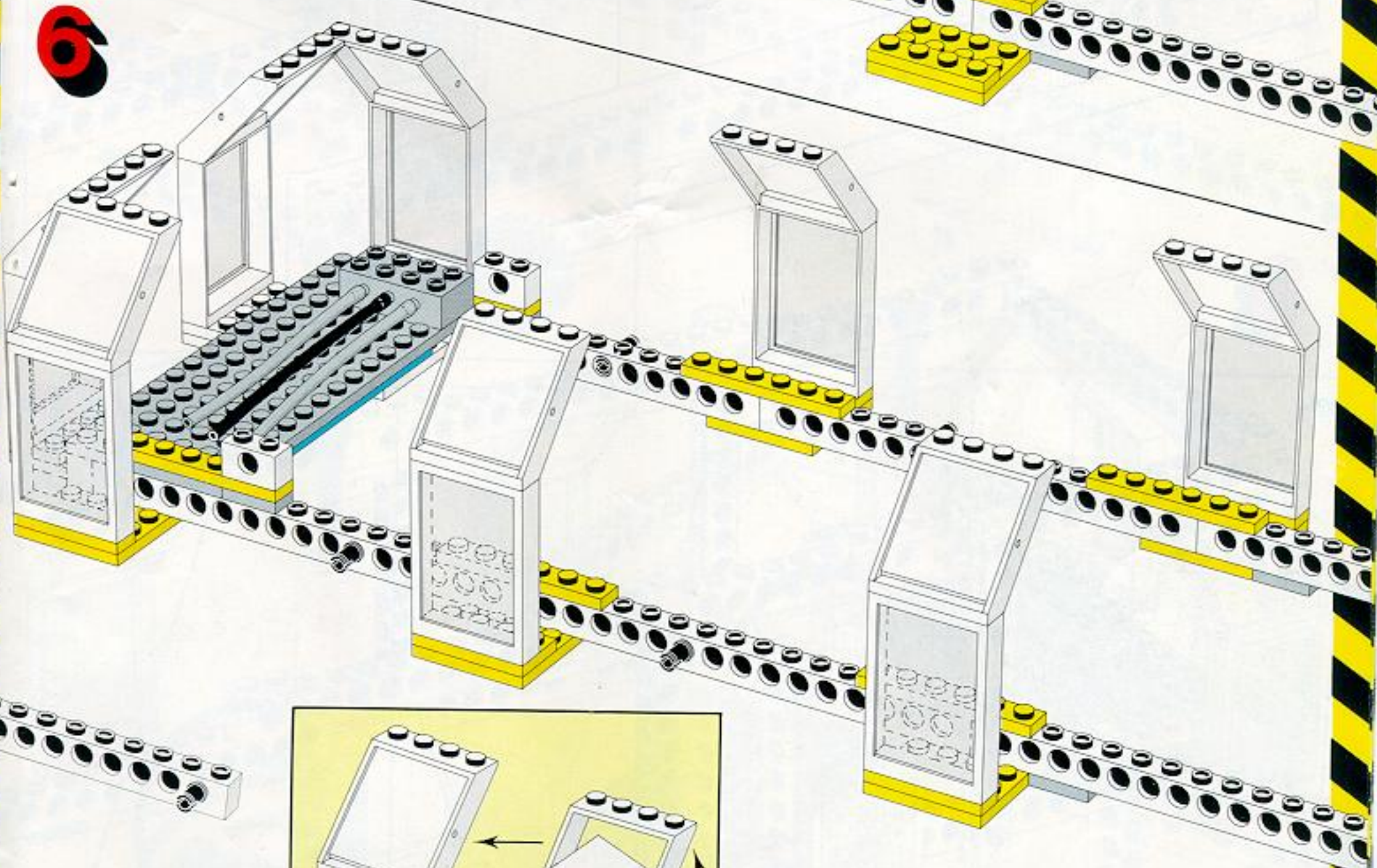
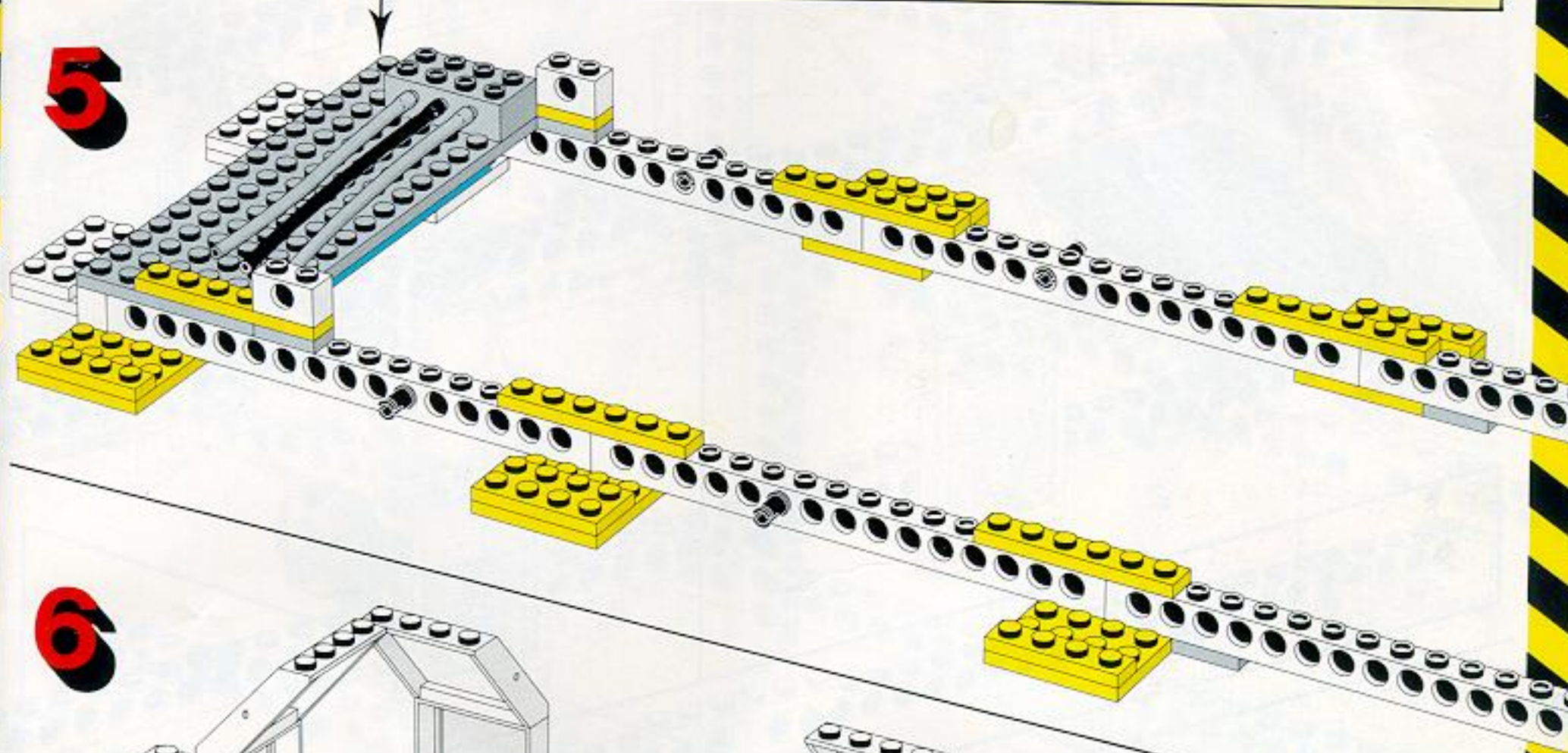
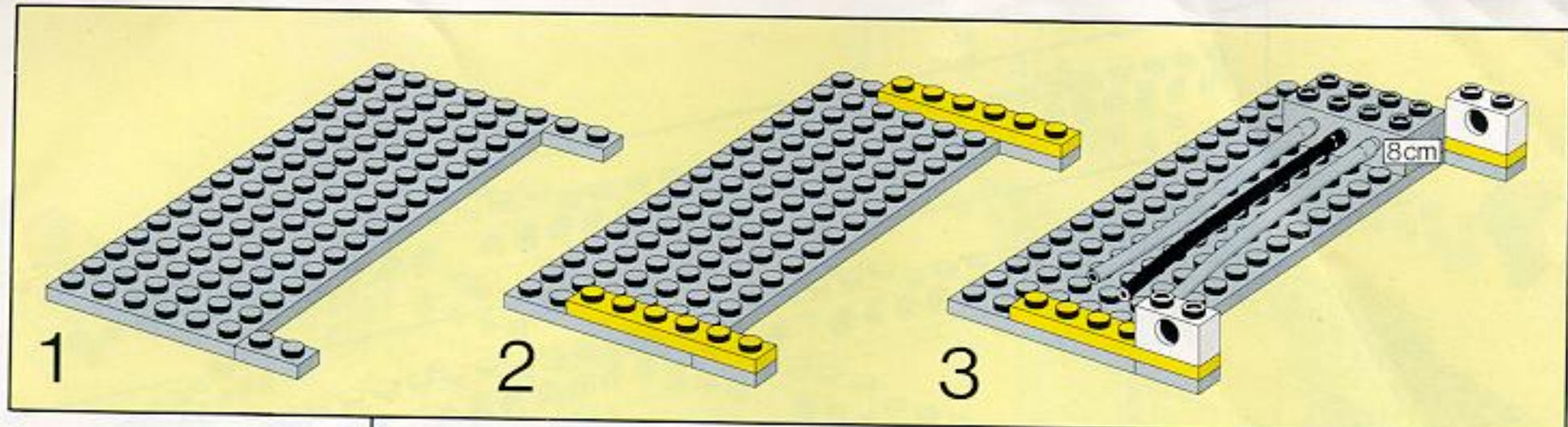


3

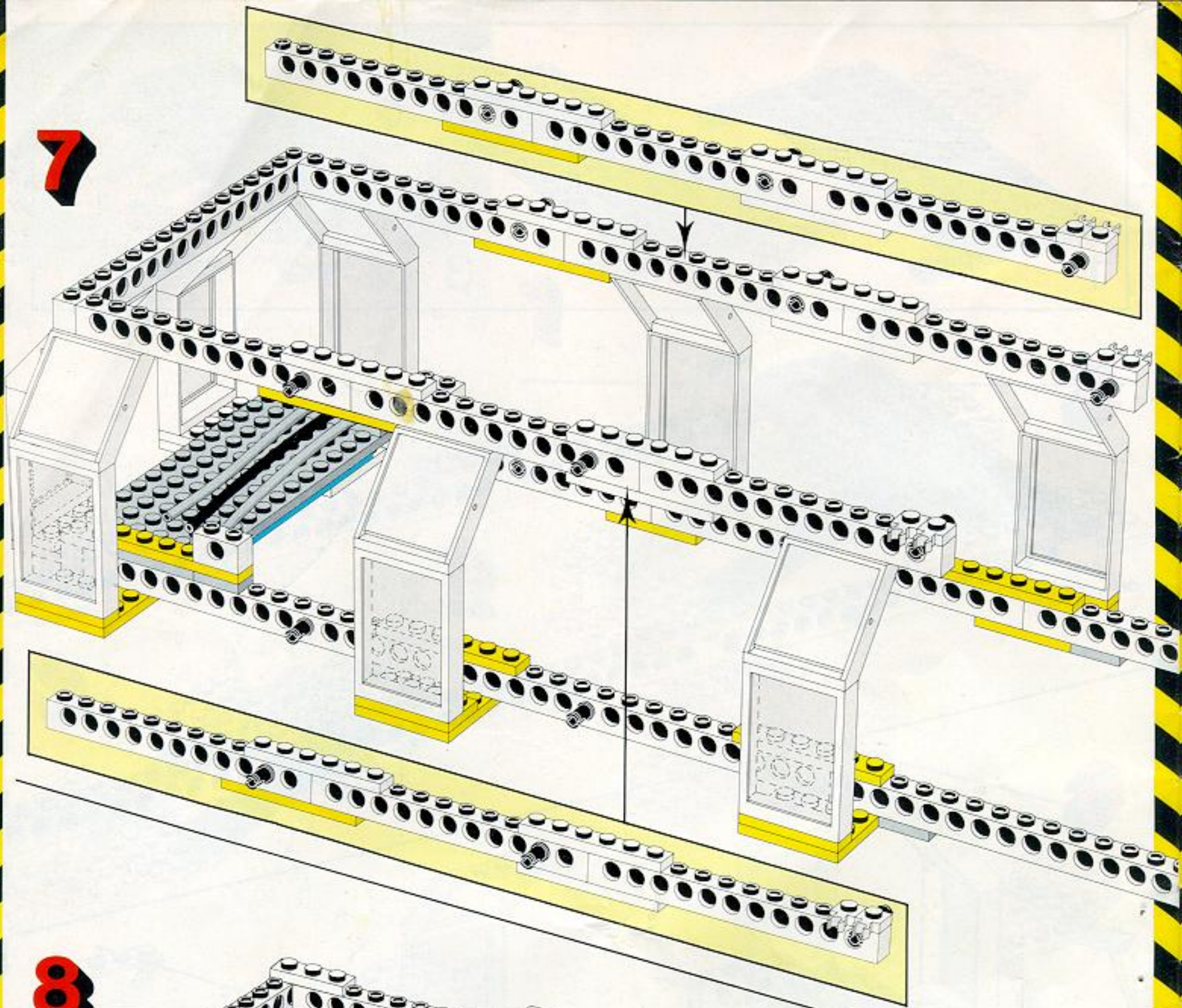


4

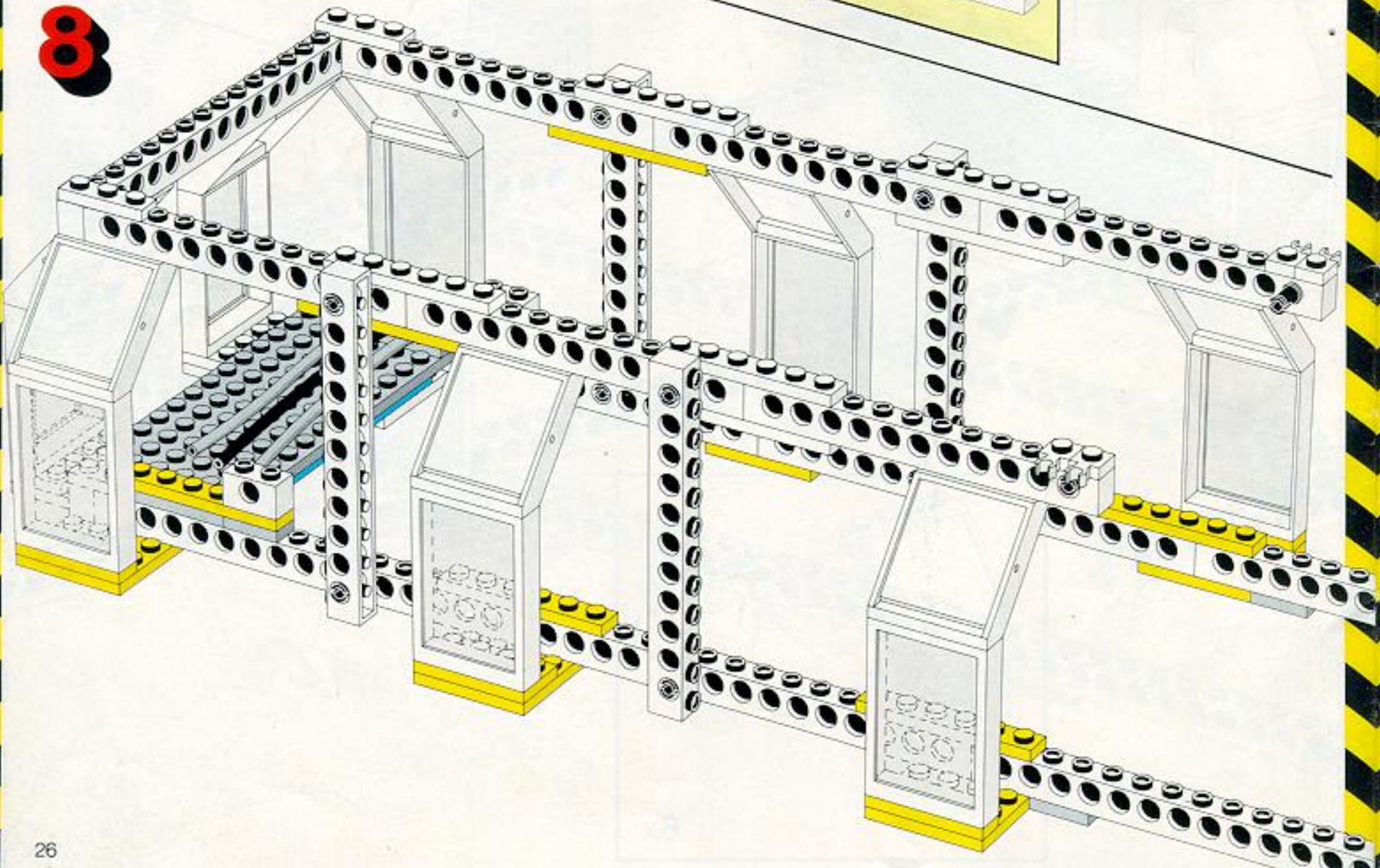




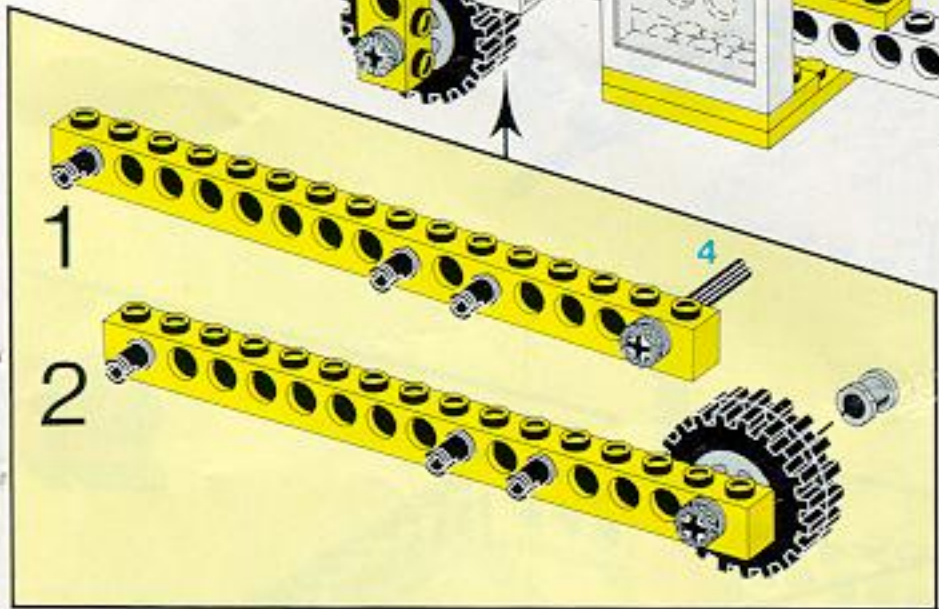
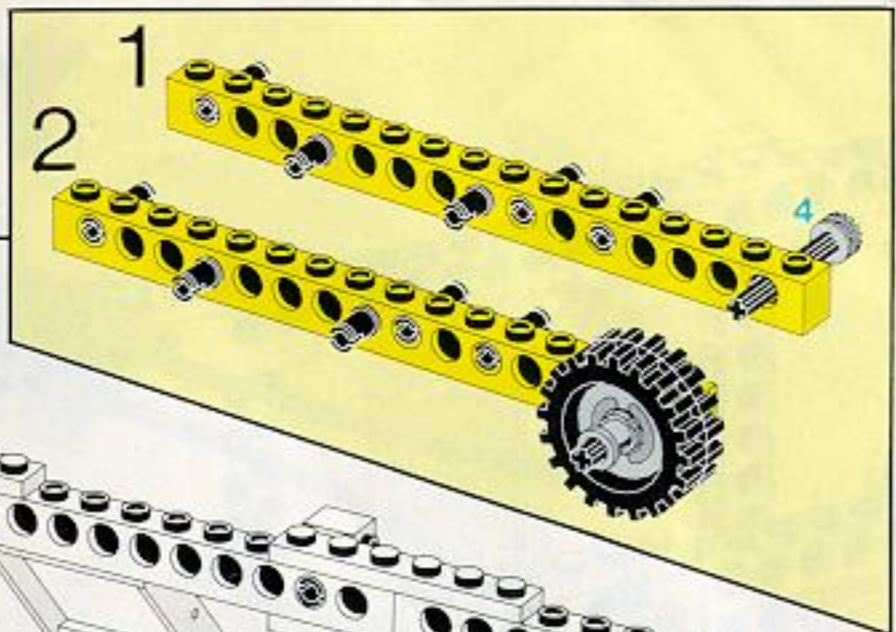
7



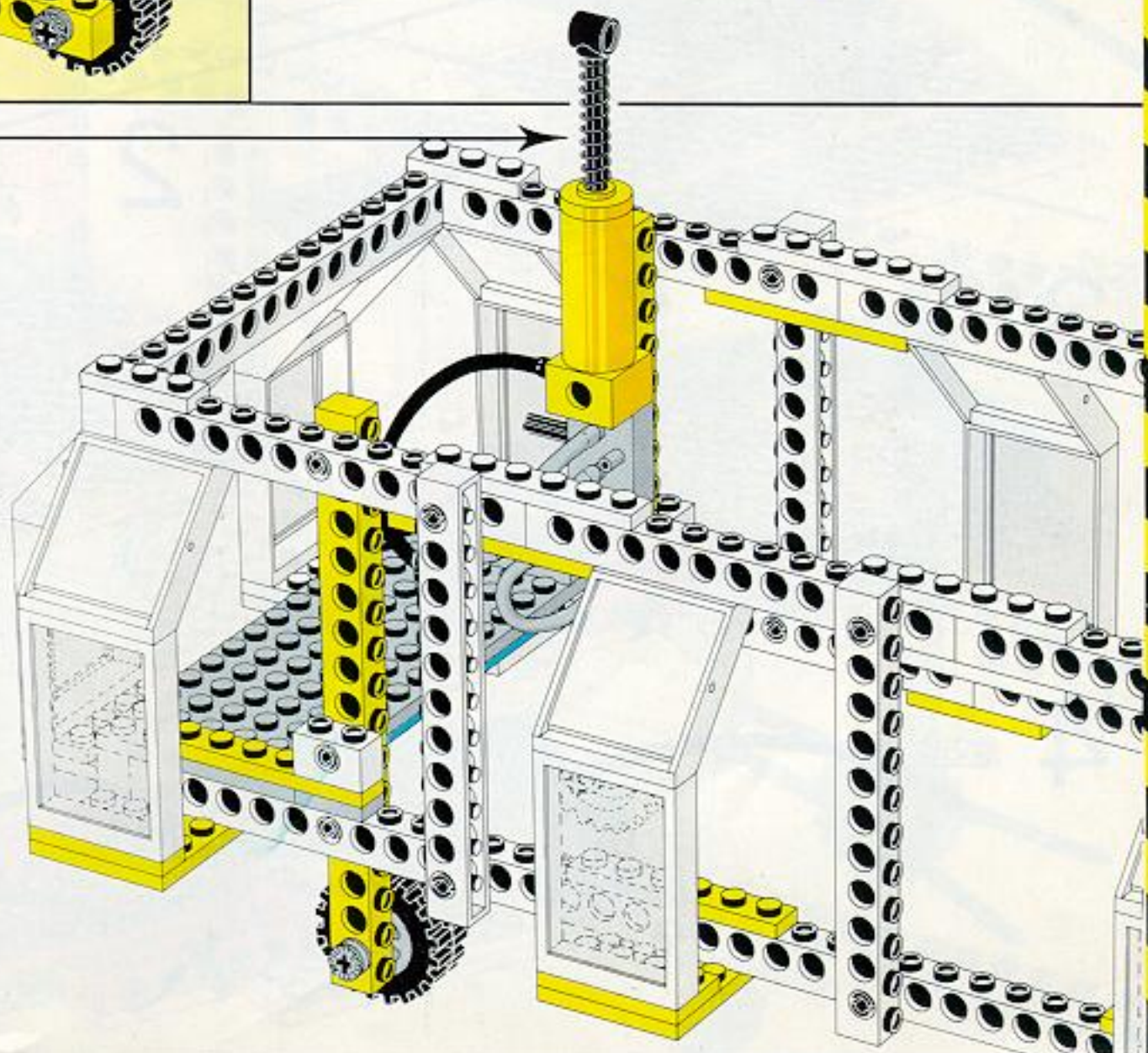
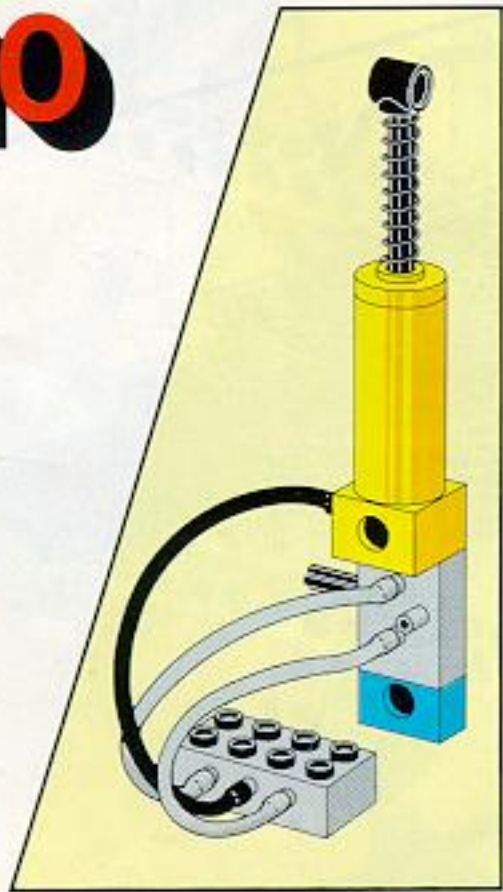
8



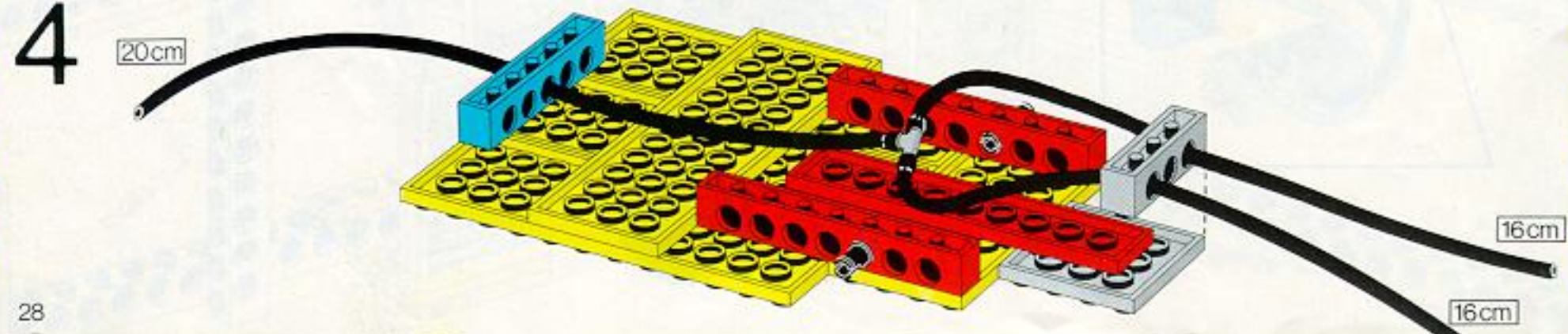
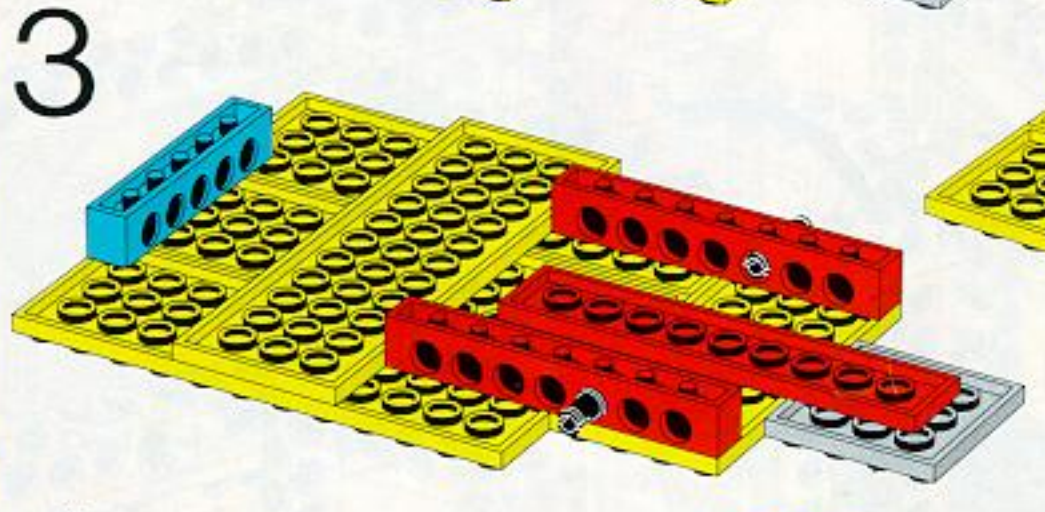
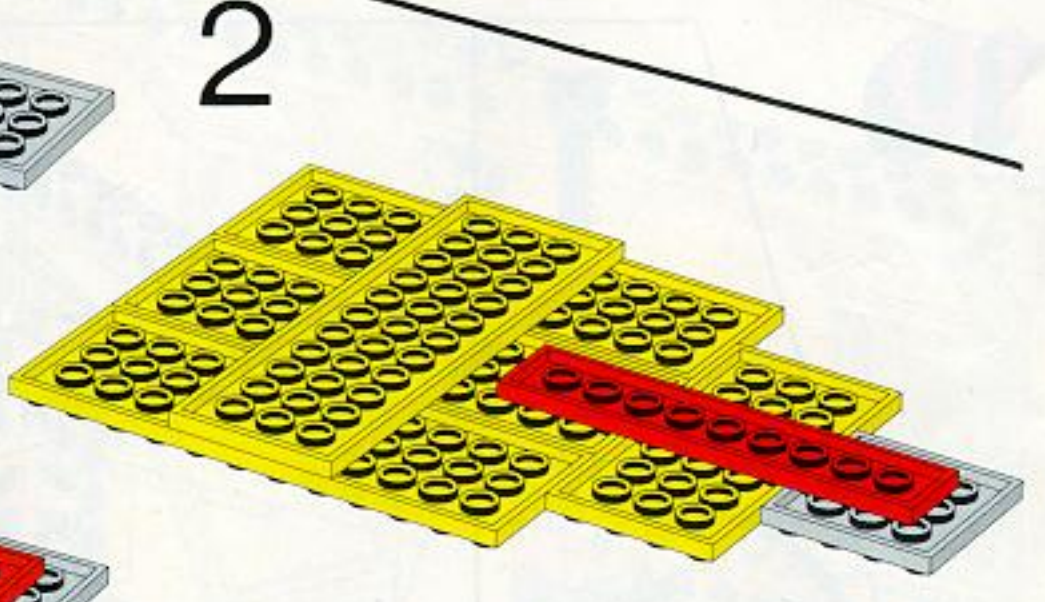
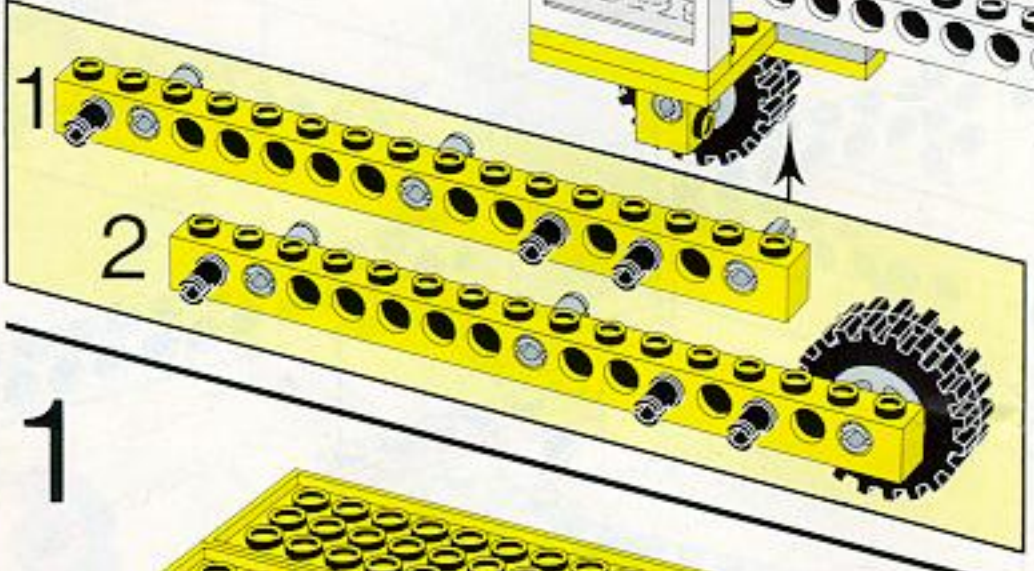
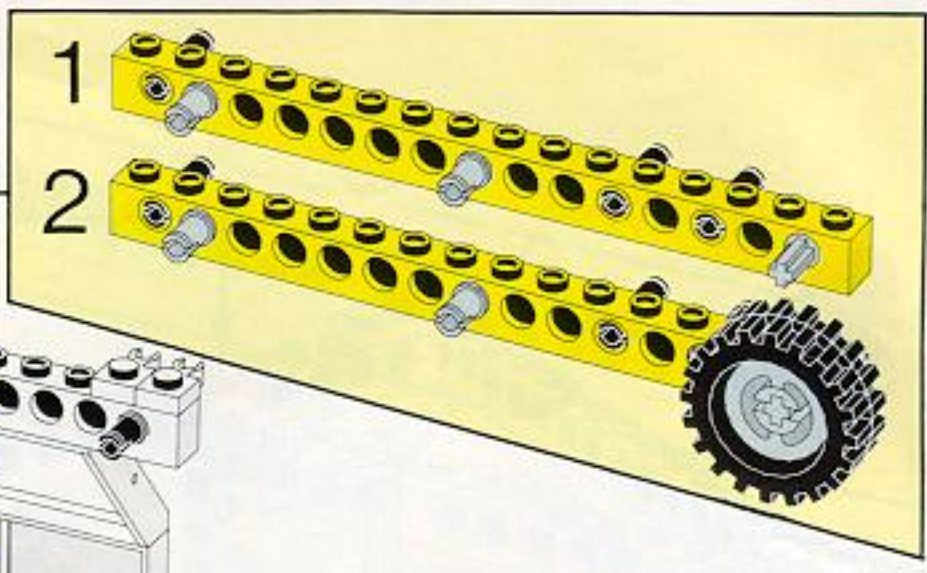
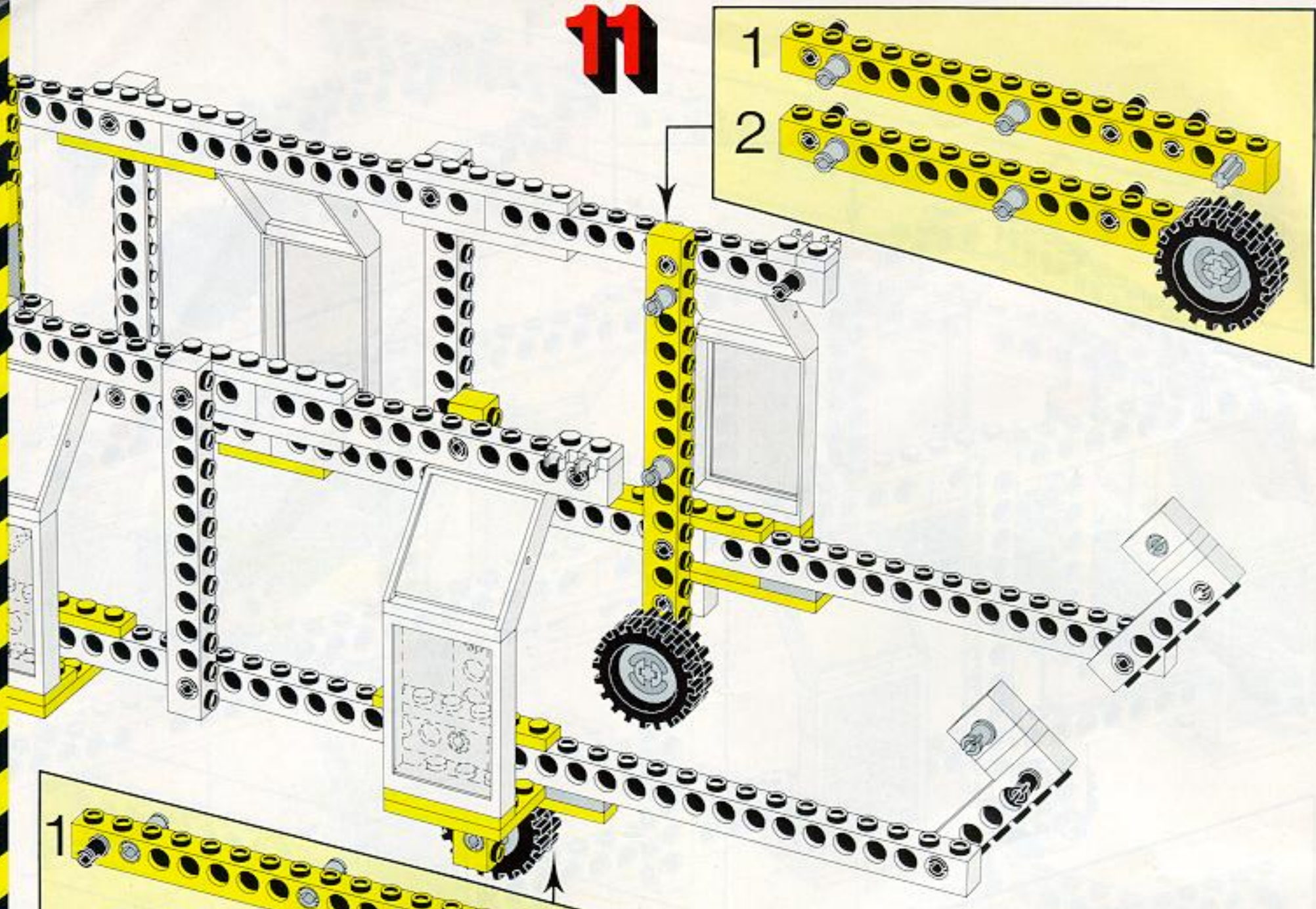
9

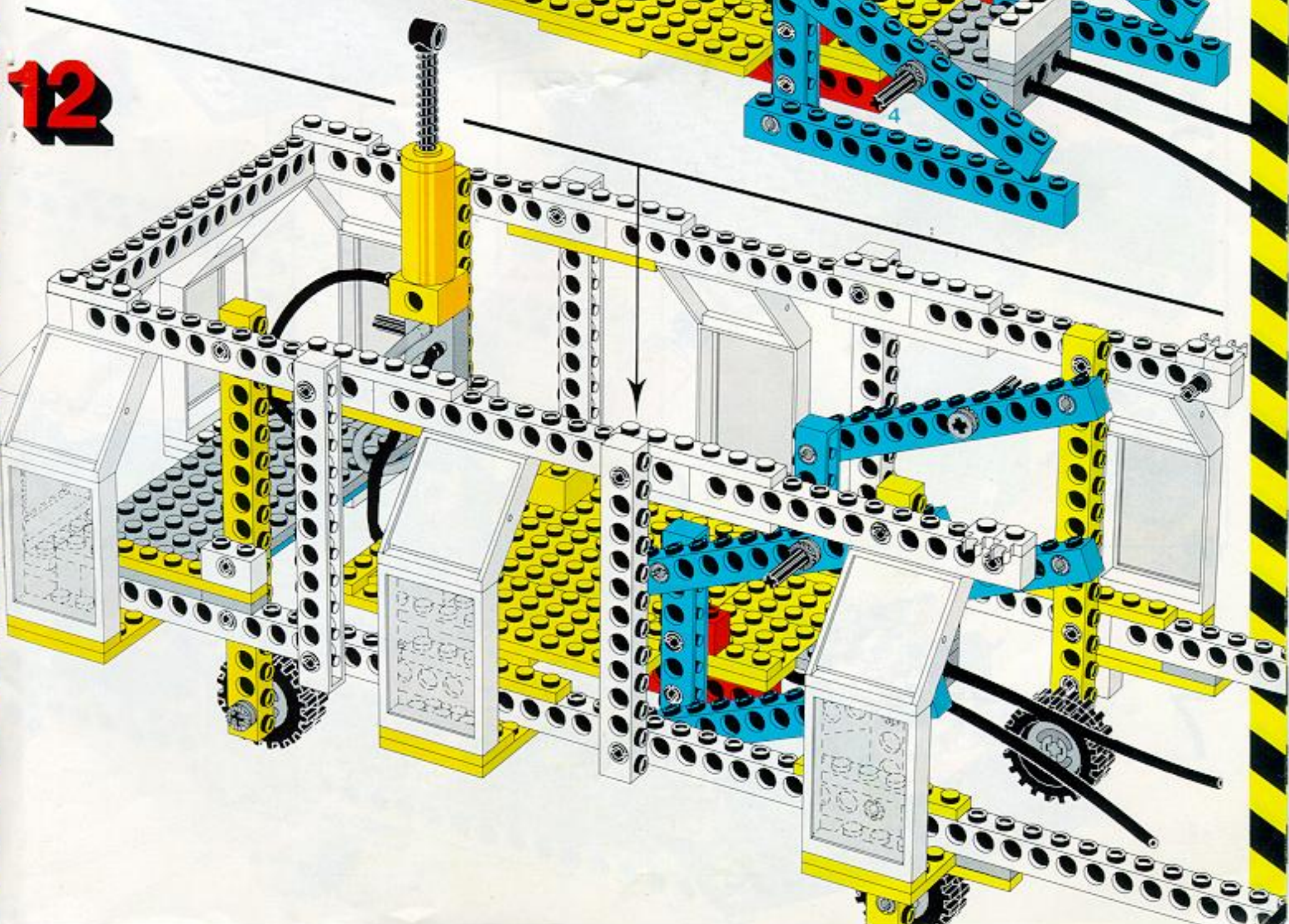
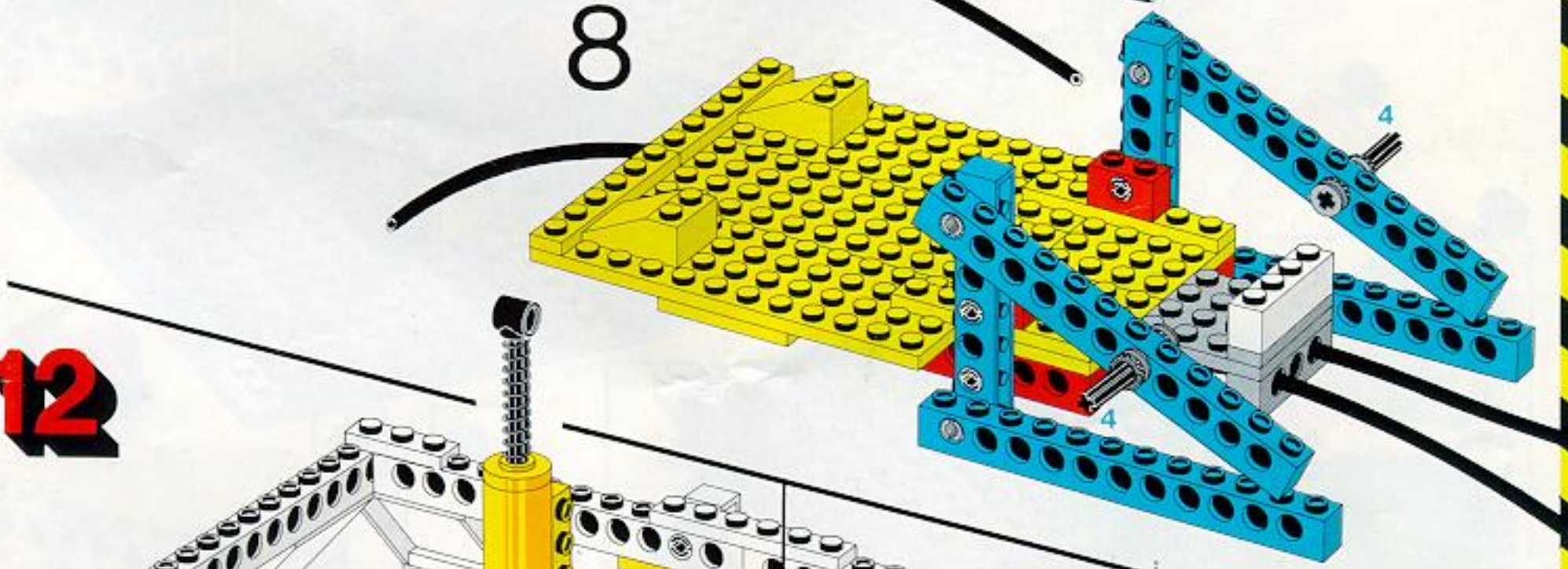
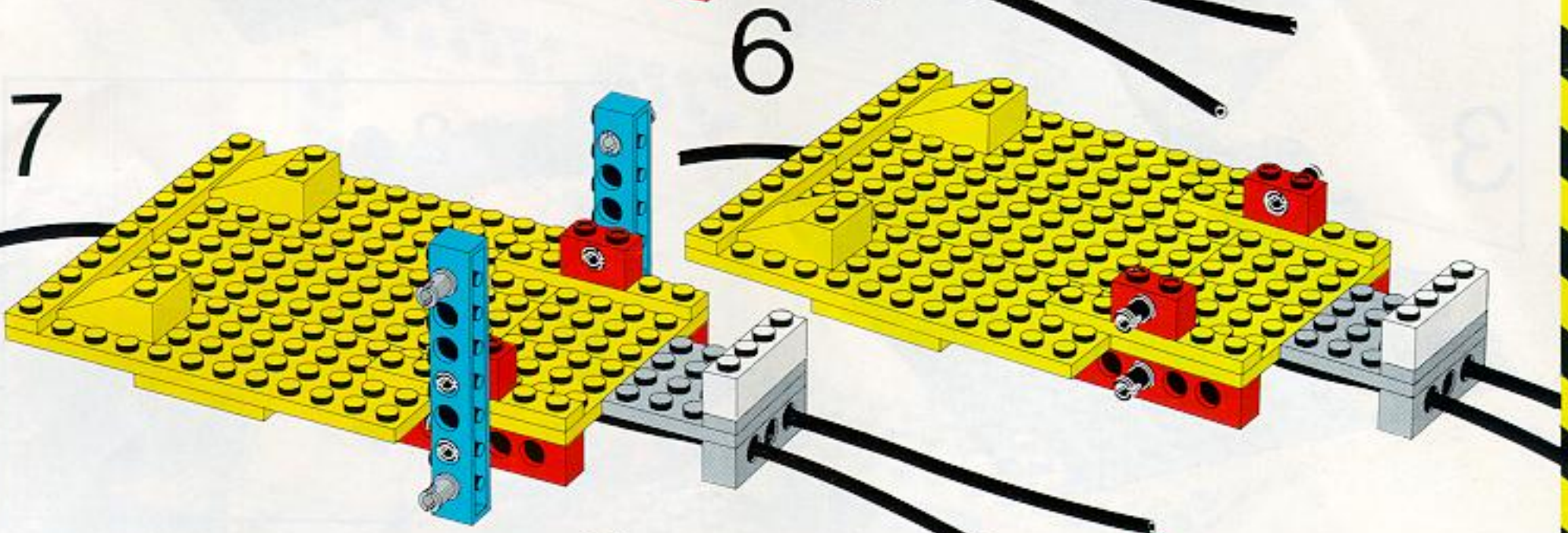
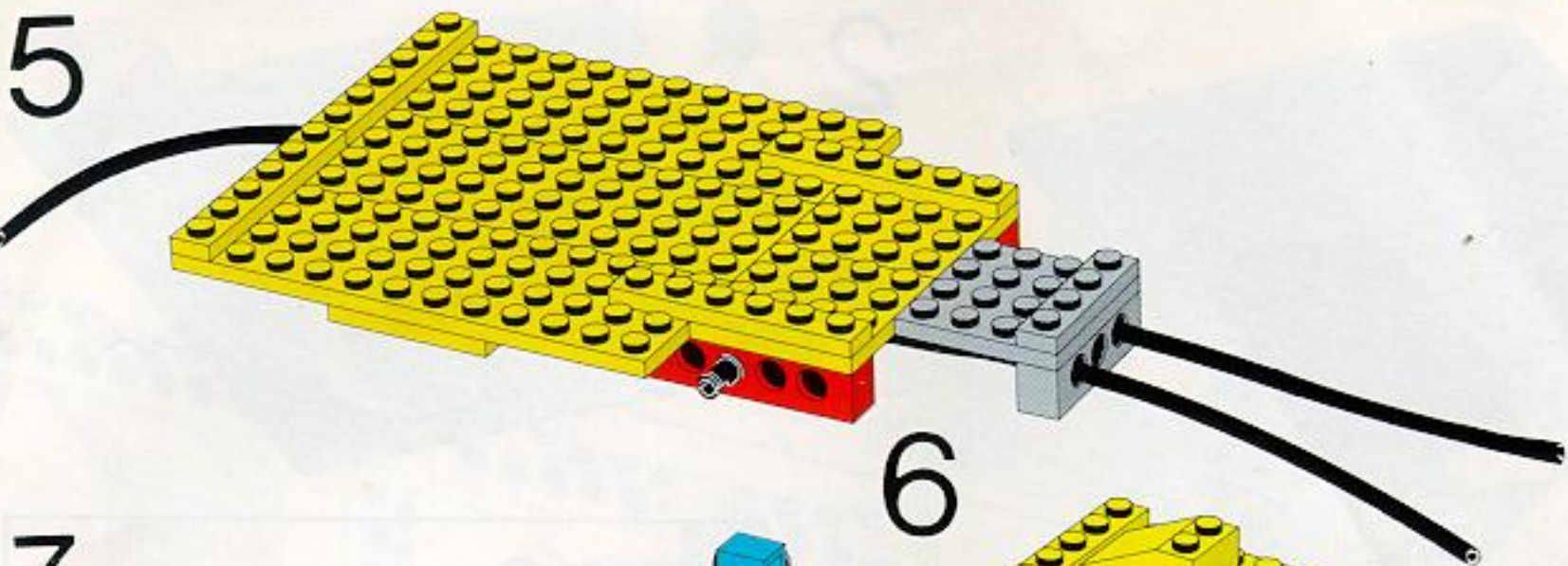


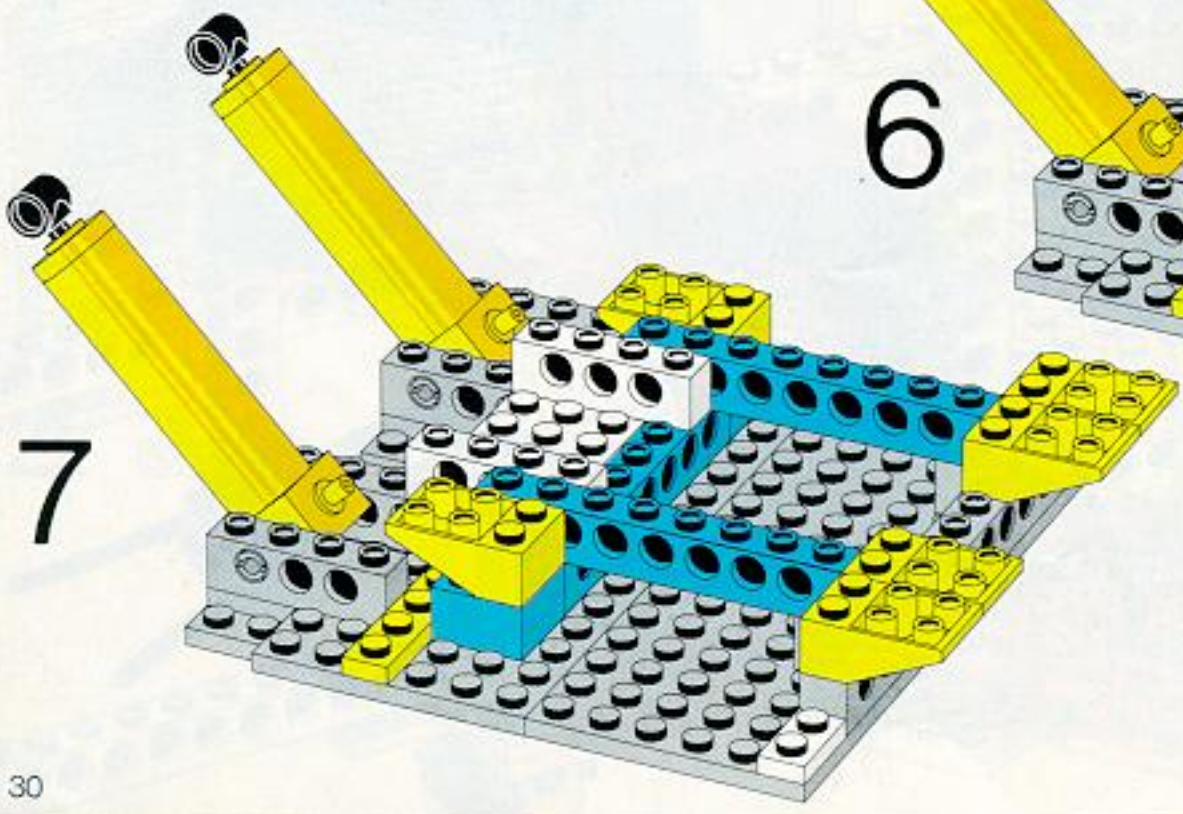
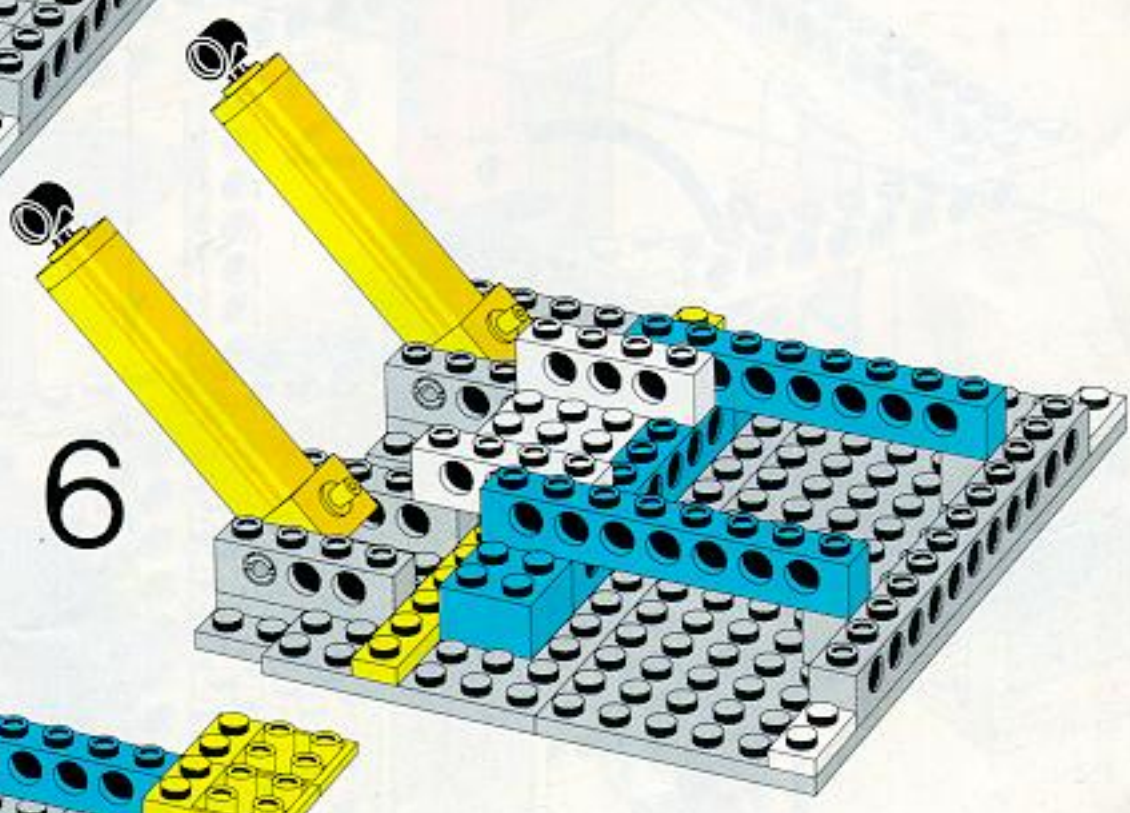
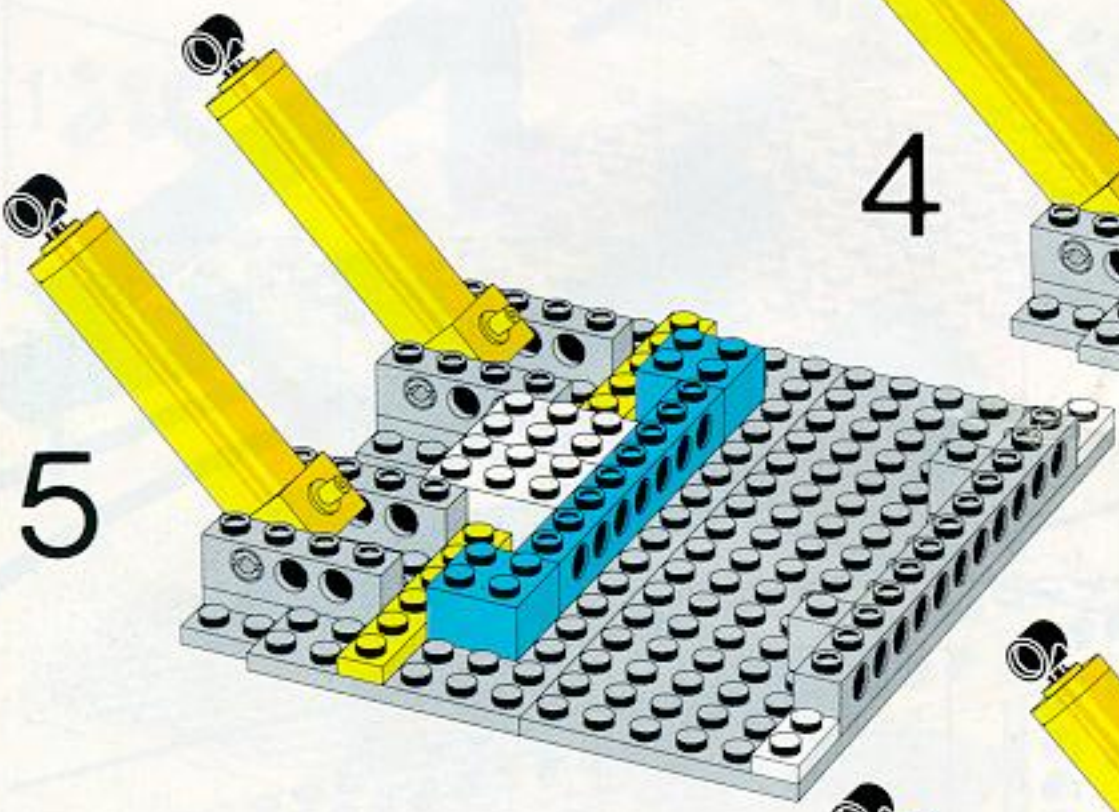
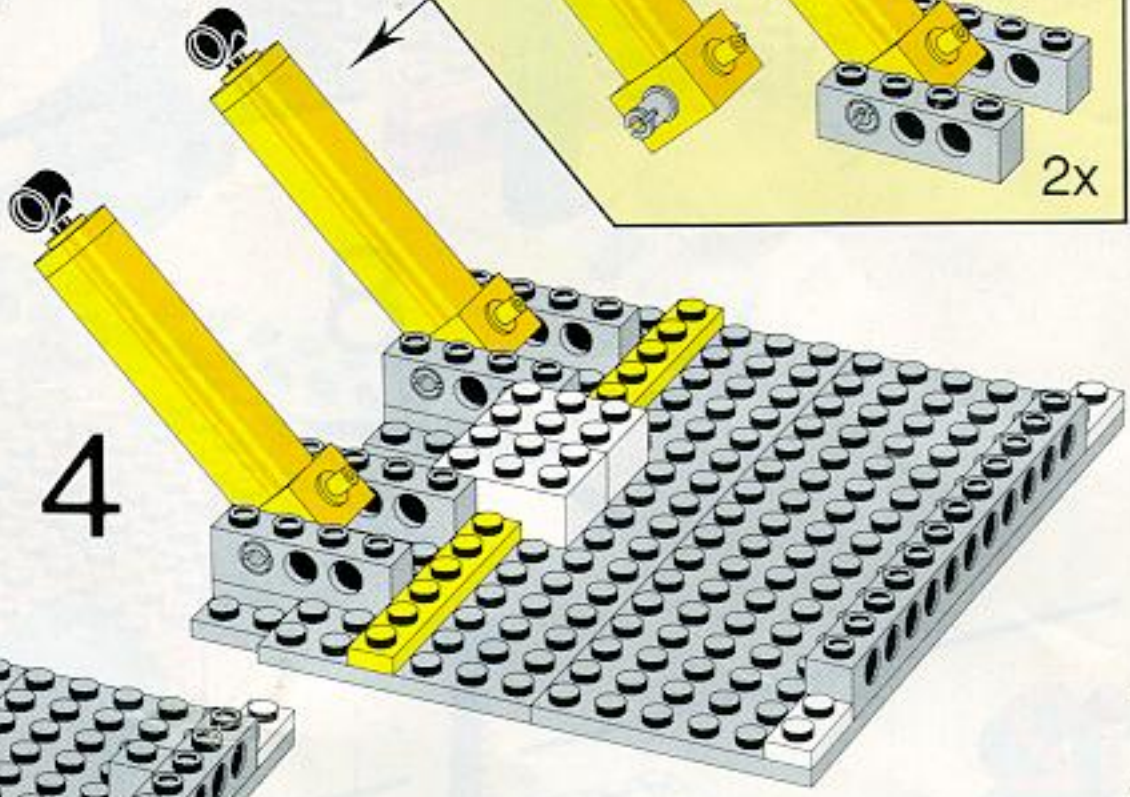
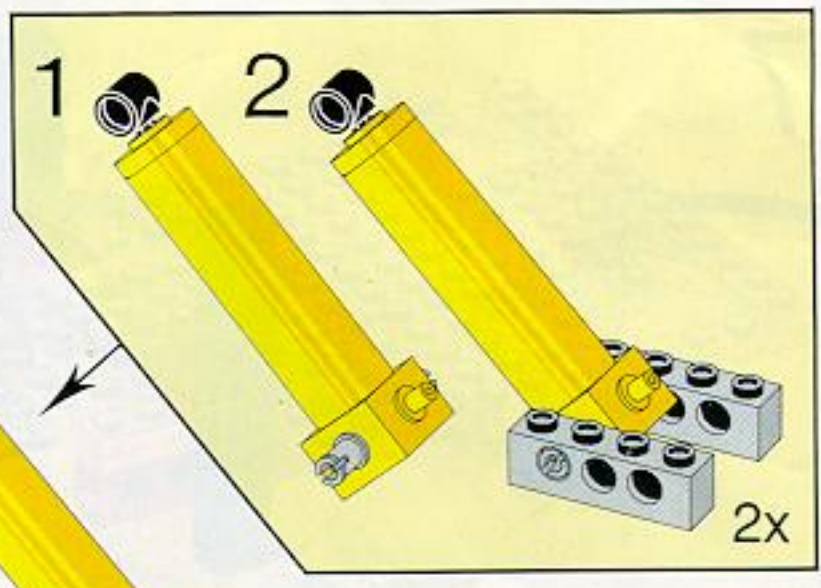
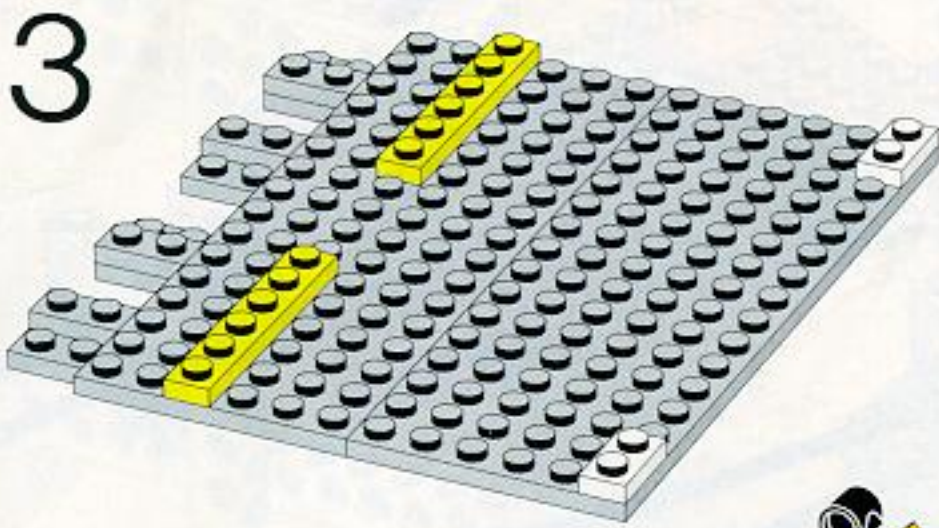
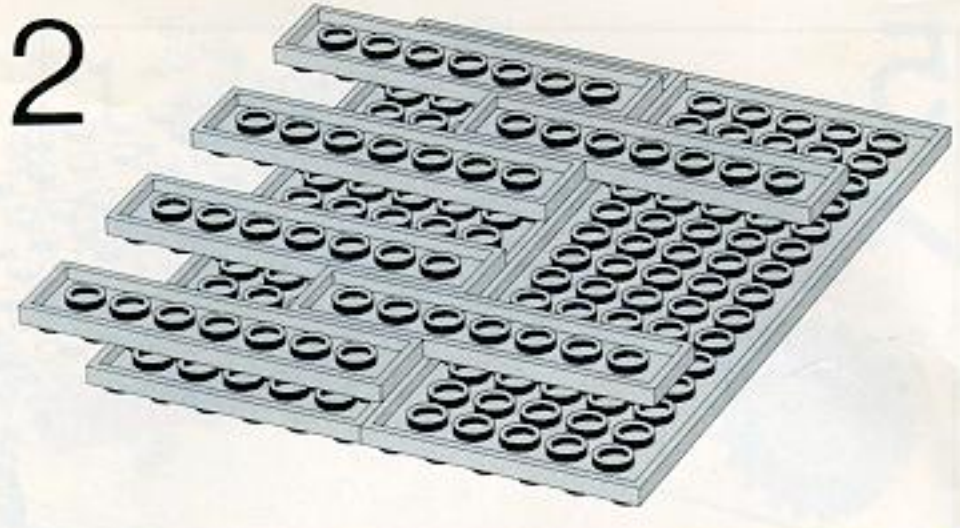
10



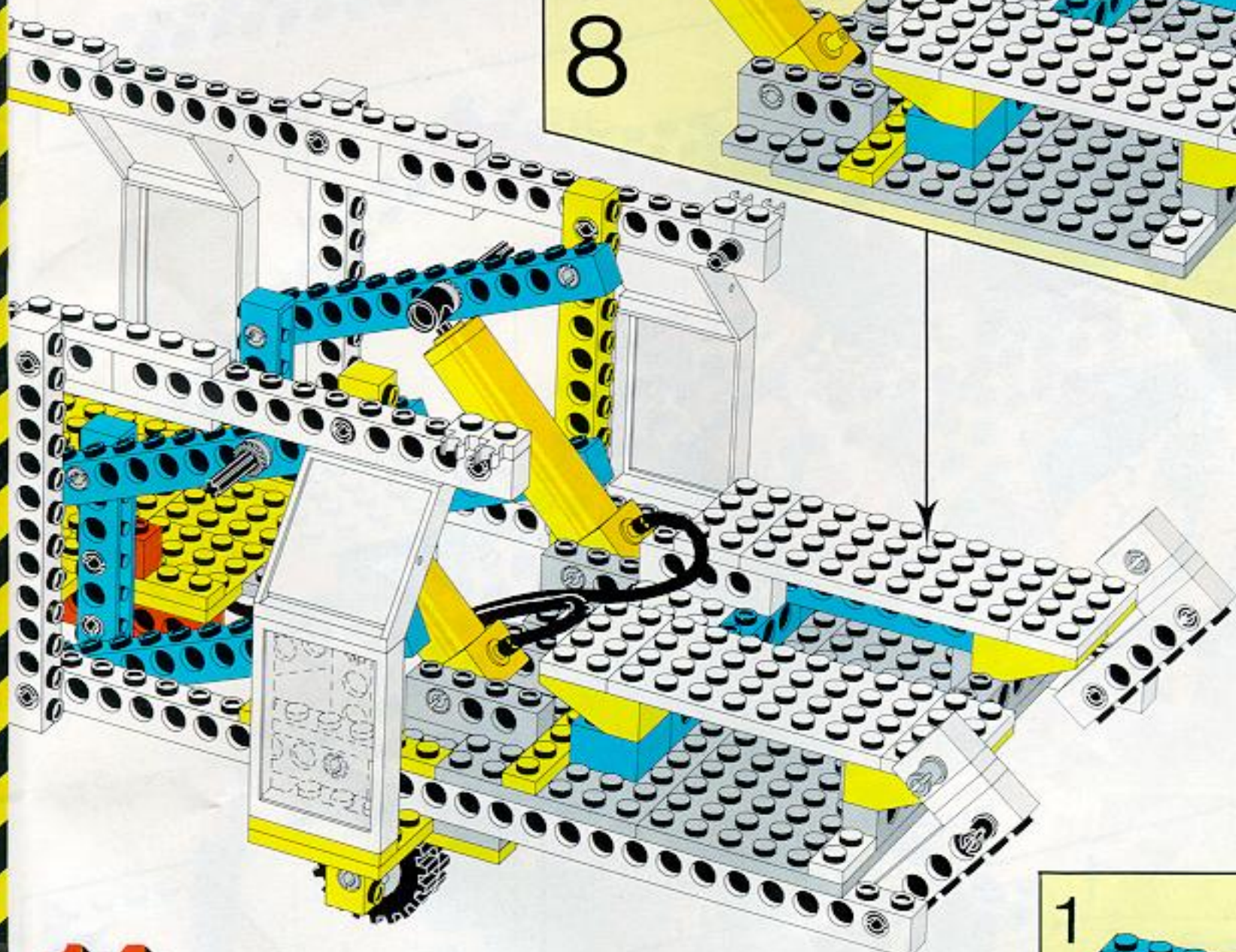
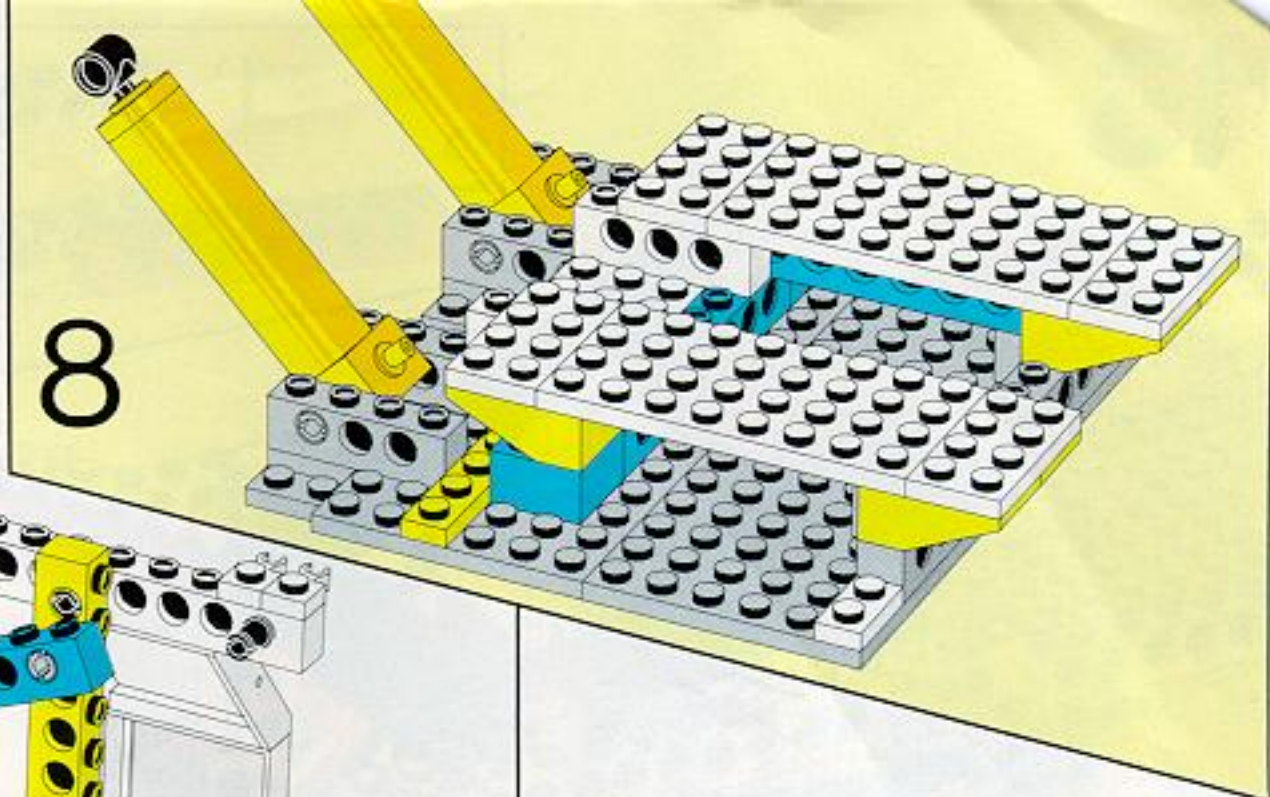
11



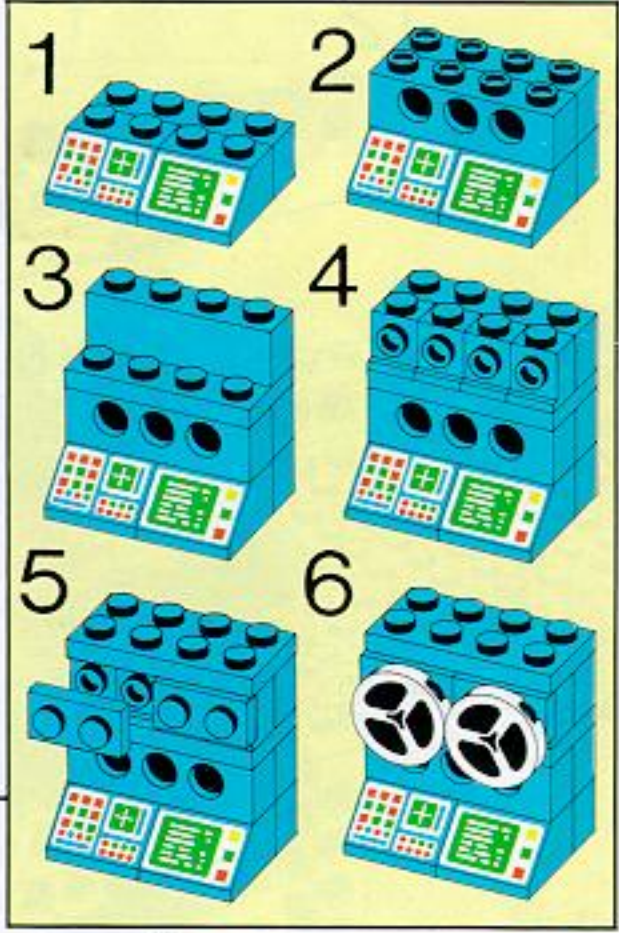
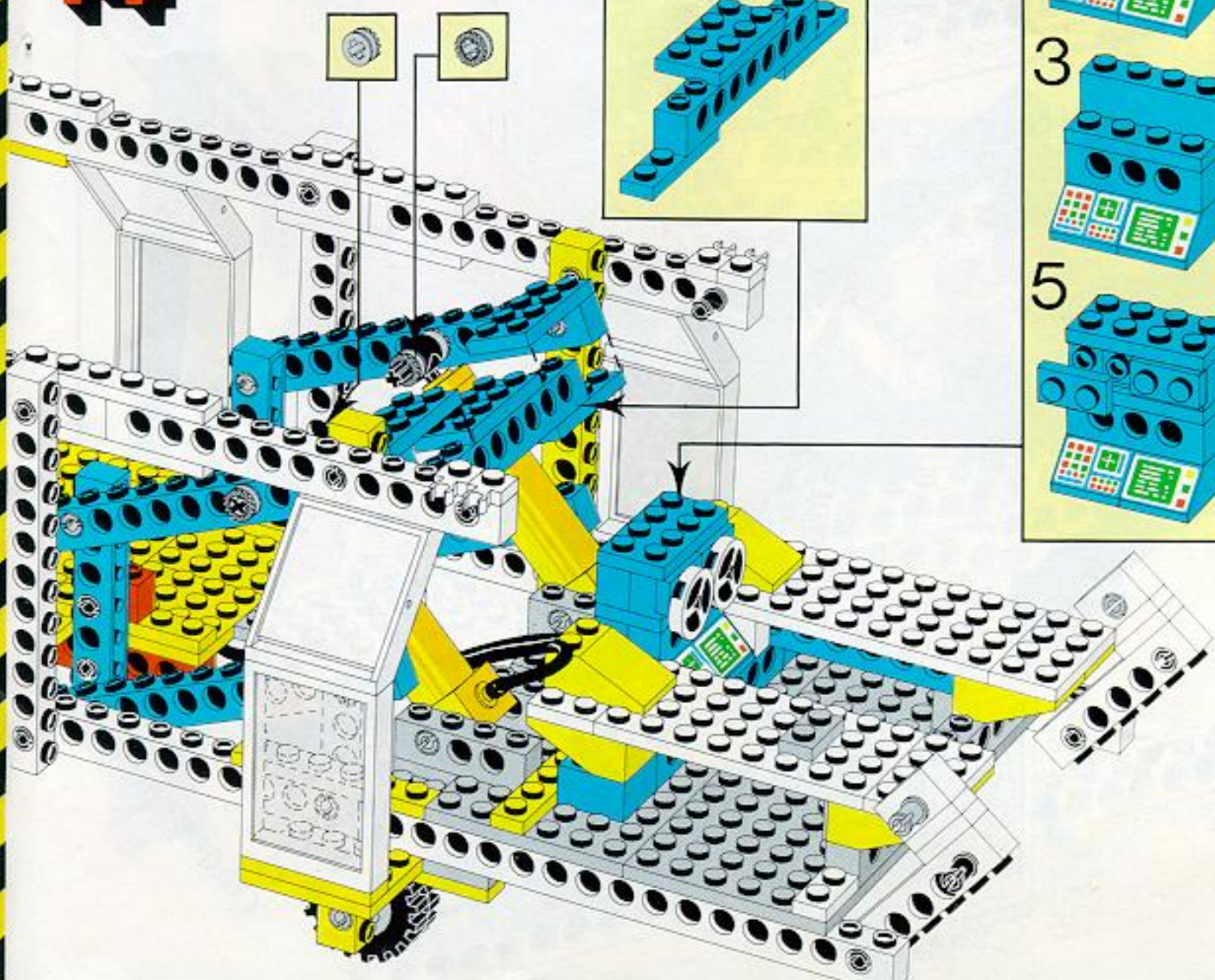
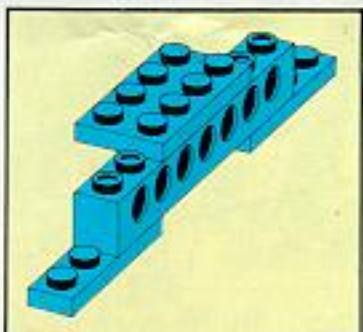




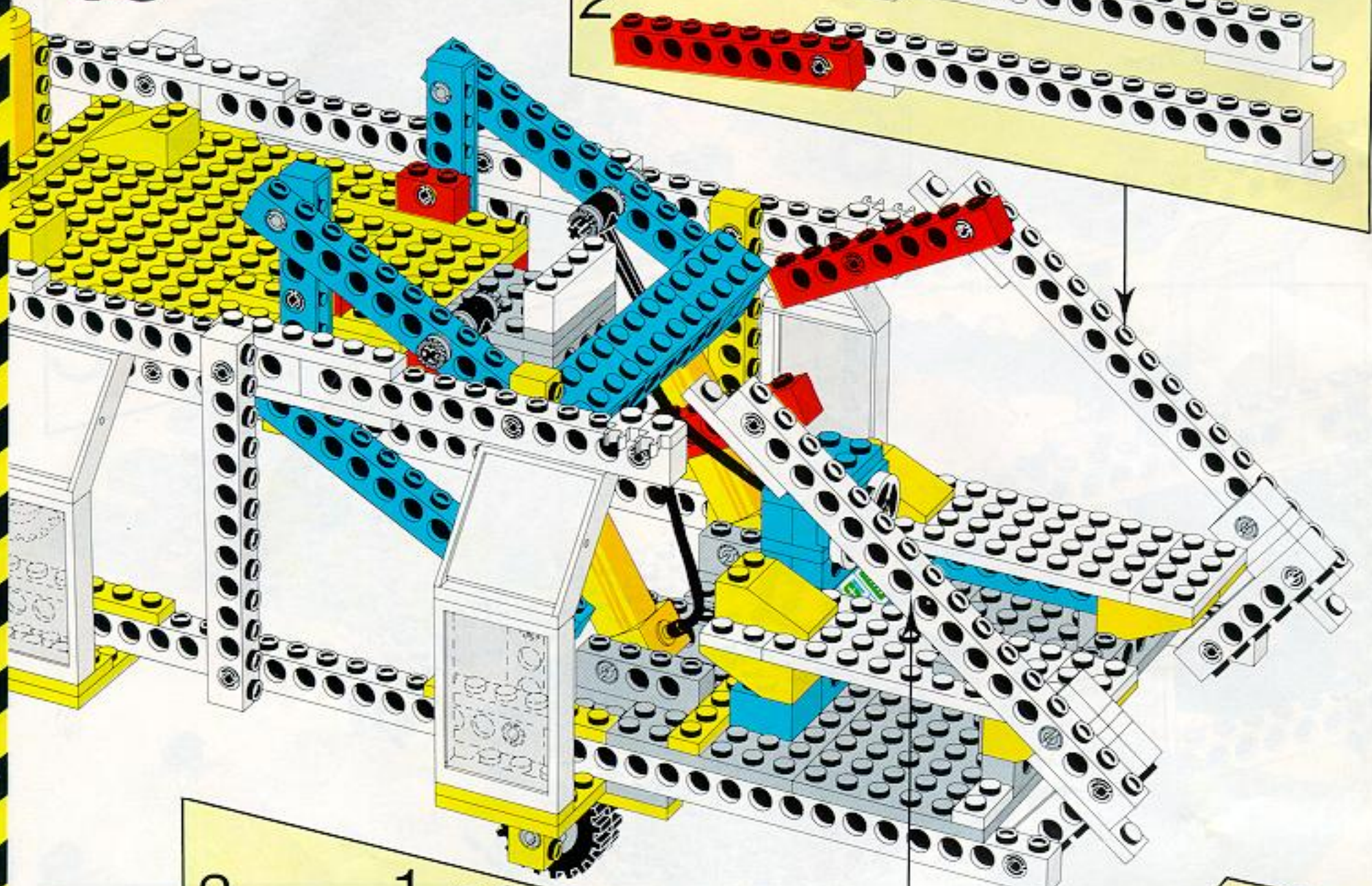
13



14

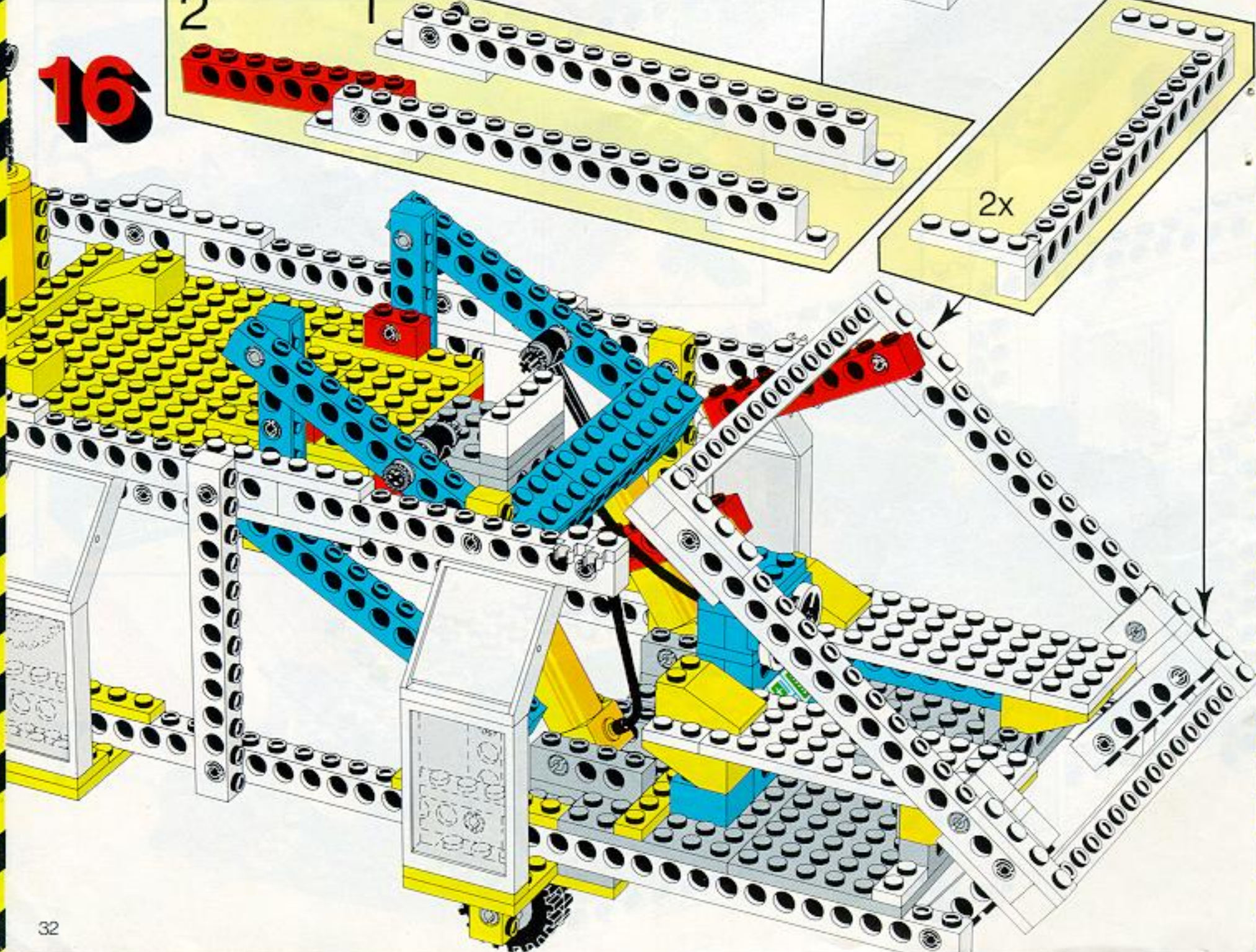


15



1
2

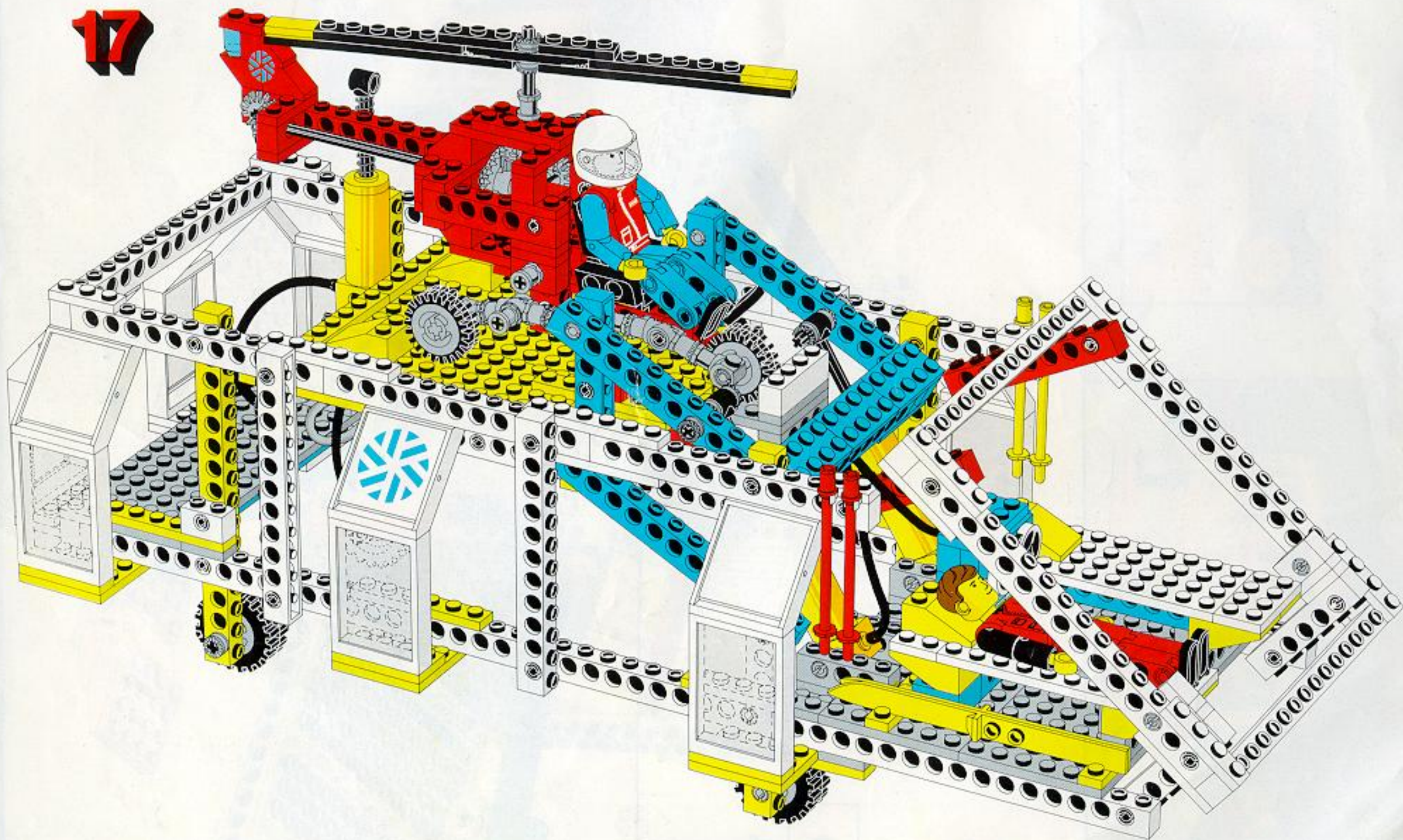
16



2
1

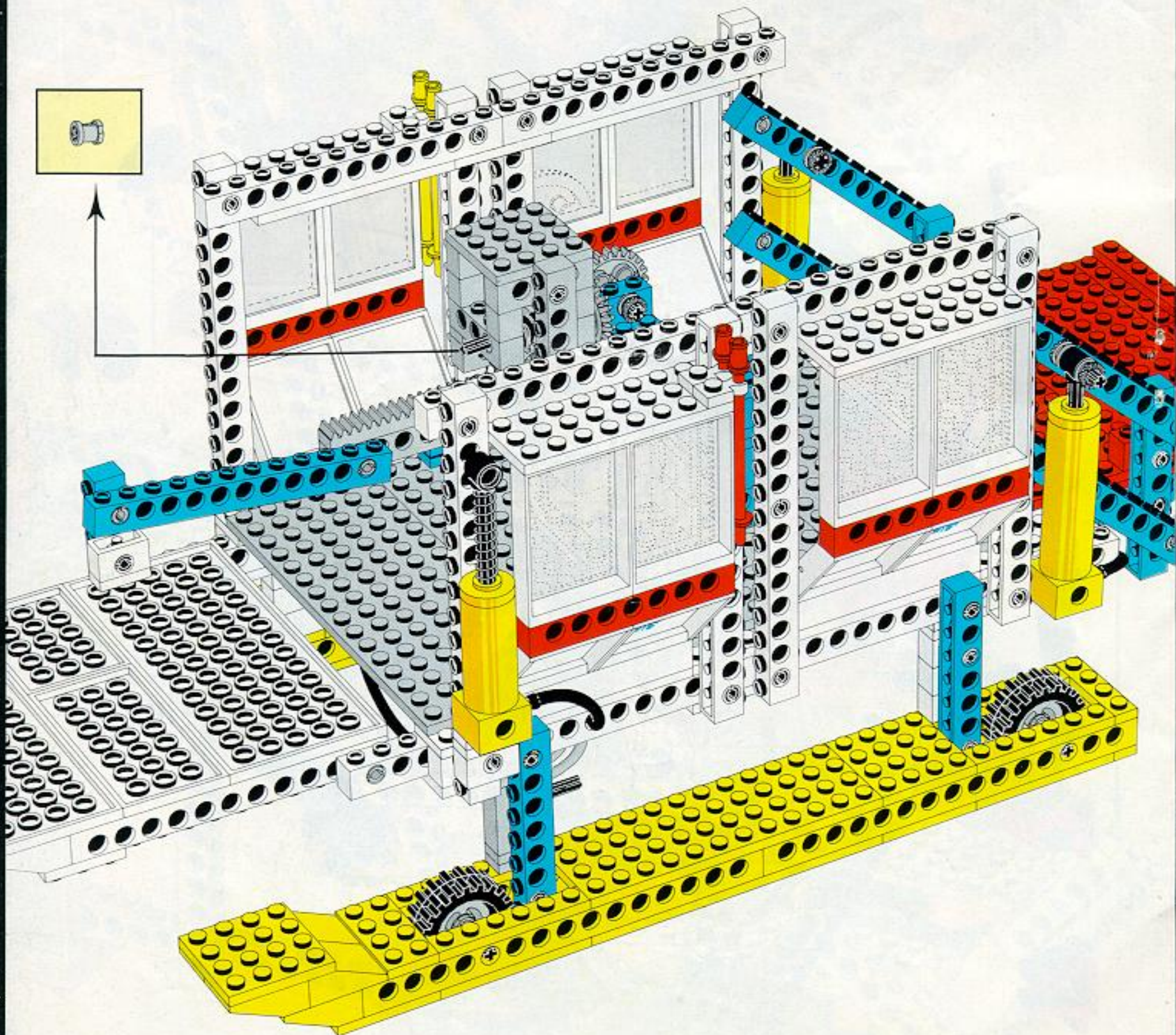
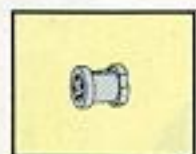
2x

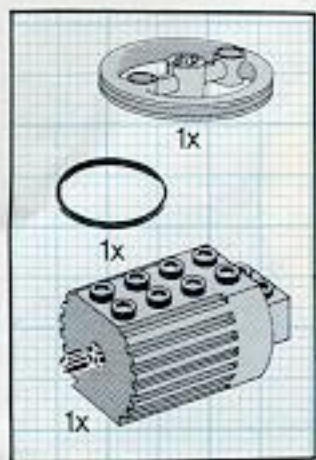
17



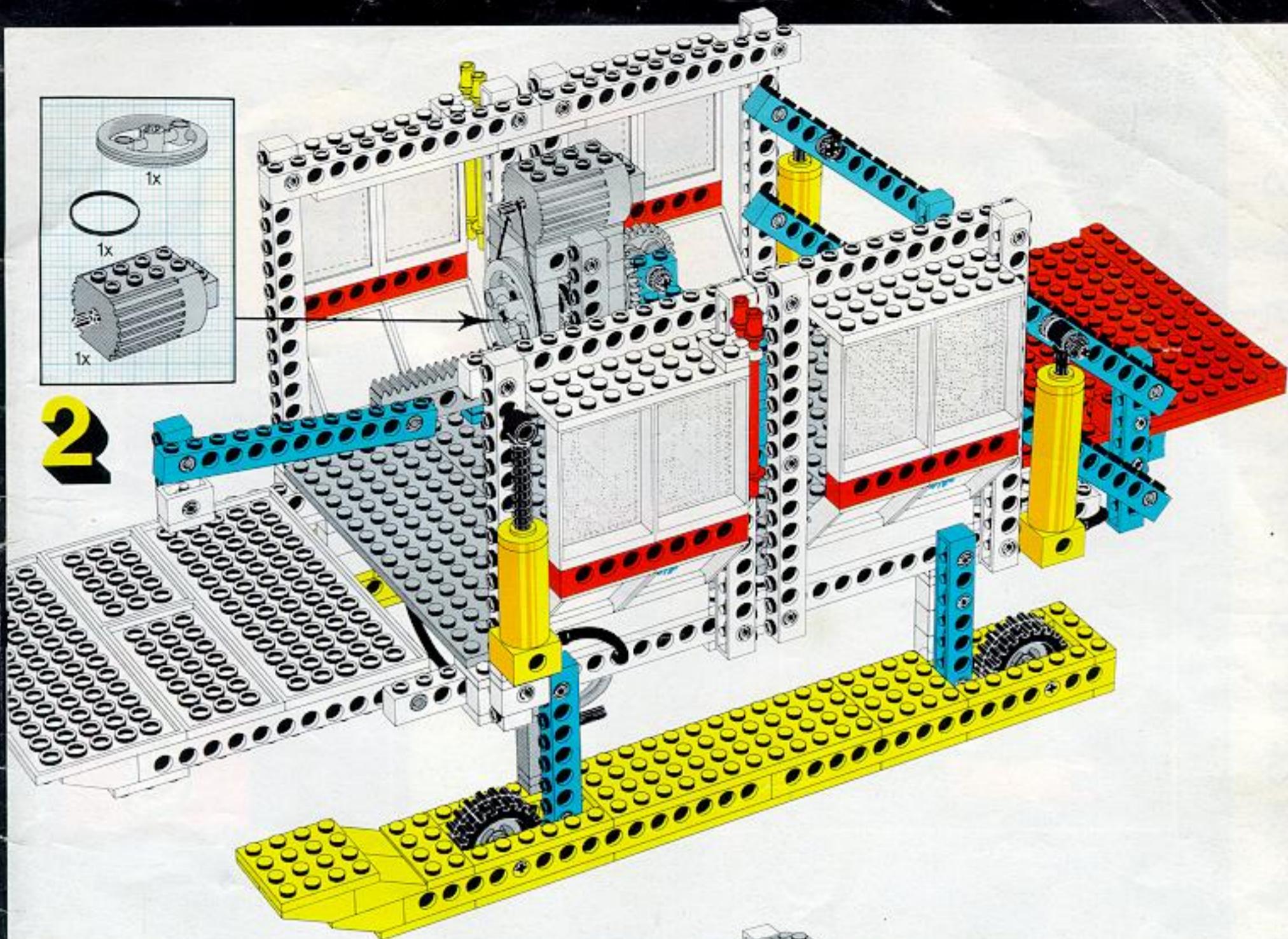


1

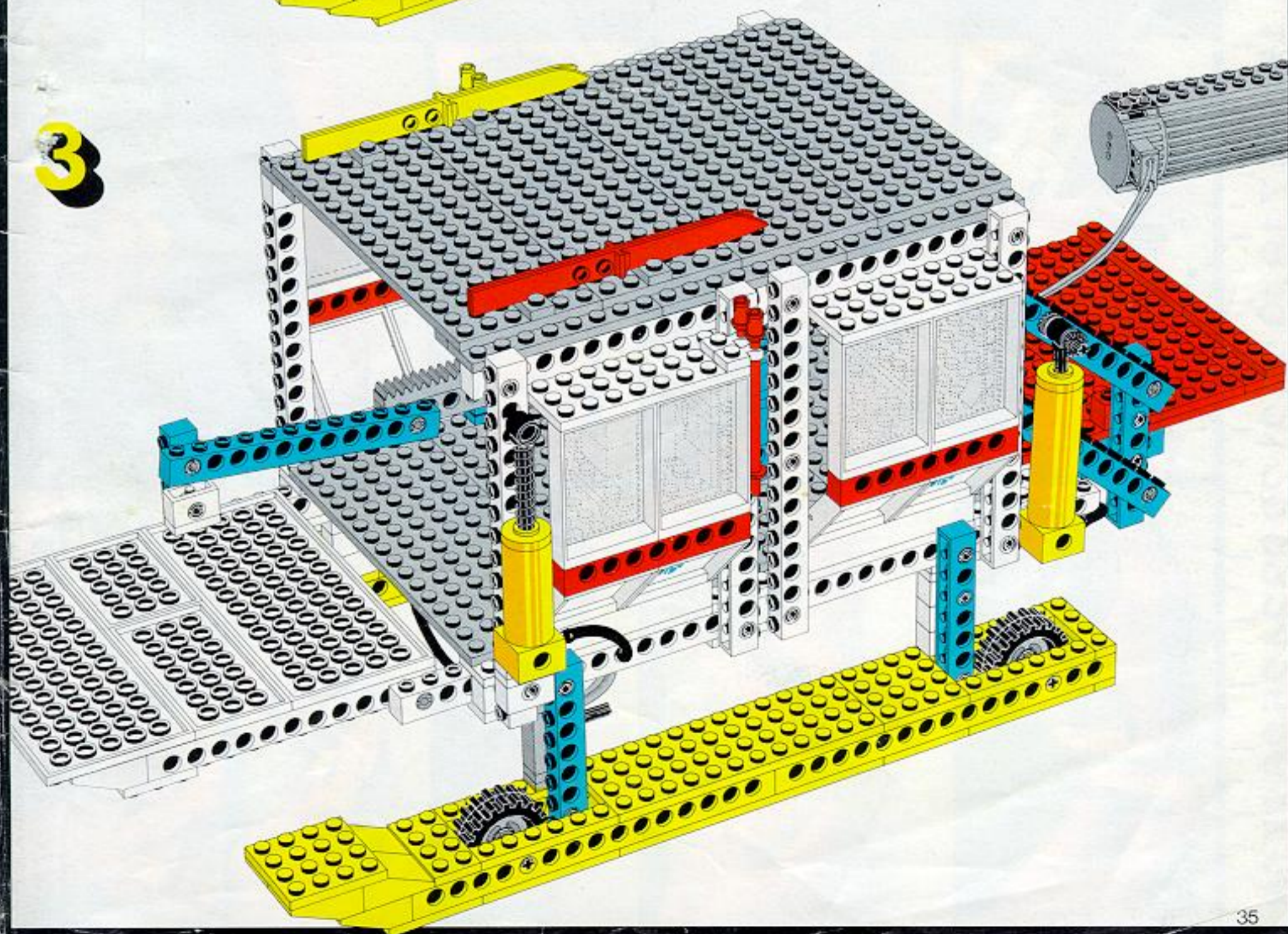




2



3



Technic

Pneumatic

