



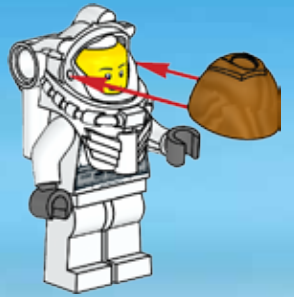
CITY



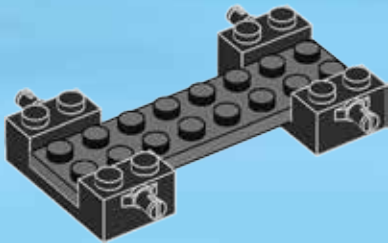
30315



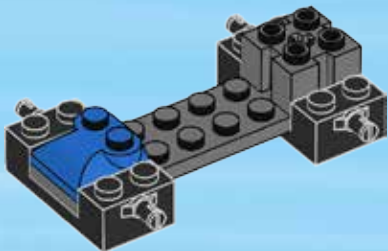
6121305



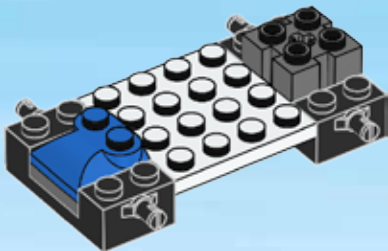
1



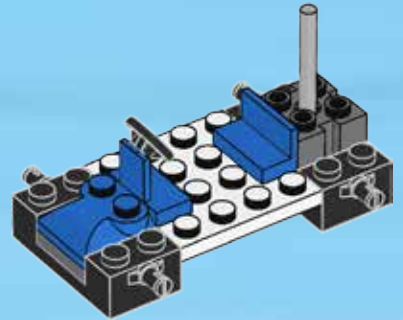
2



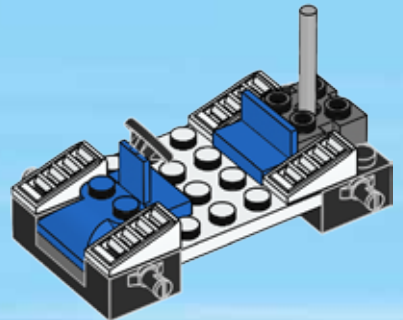
3



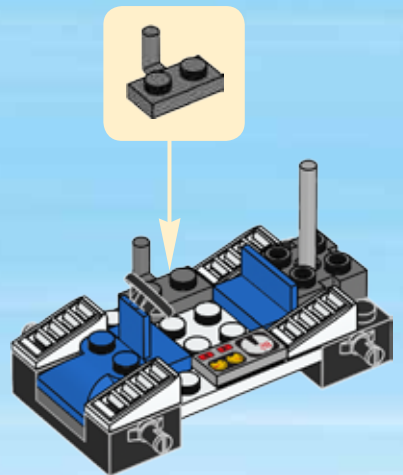
4

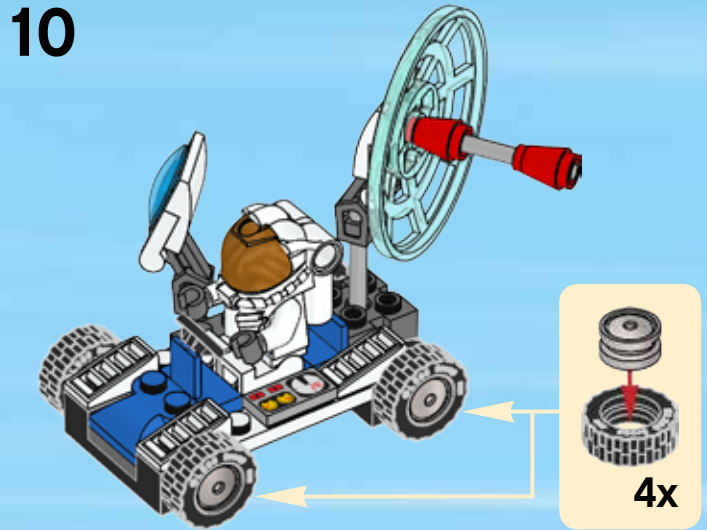
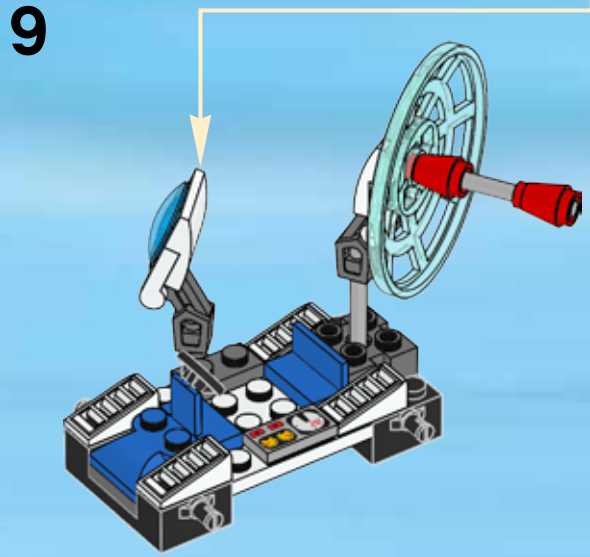
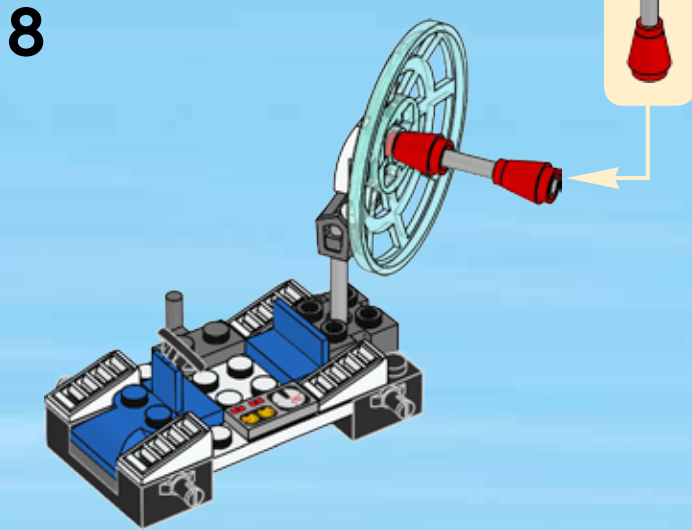
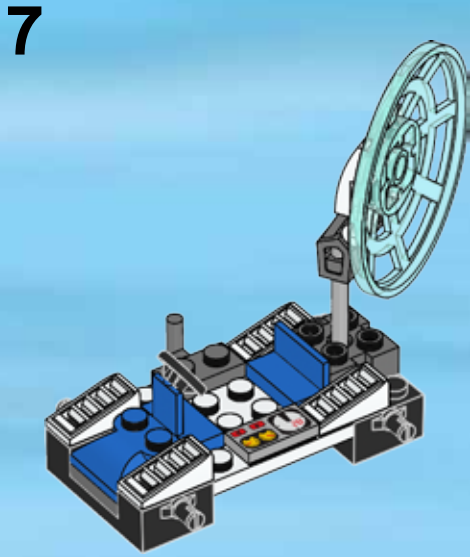
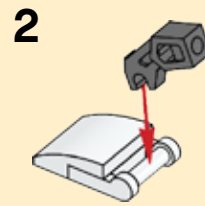
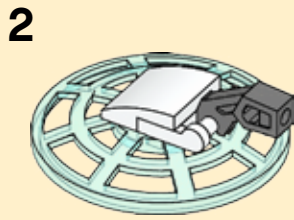
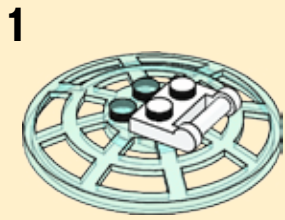


5



6





**LEGO CITY**



60069



60068



60067



60066



60065

**LEGO.COM/CITY**



[LEGO.com/club](http://LEGO.com/club)

**LEGO club**

[LEGO.com/service](http://LEGO.com/service)

**7** [LEGO.com/city](http://LEGO.com/city)

LEGO and the LEGO logo are trademarks of the LEGO Group.  
©2015 The LEGO Group. 6121305