




SPEED CHAMPIONS

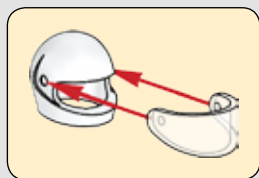
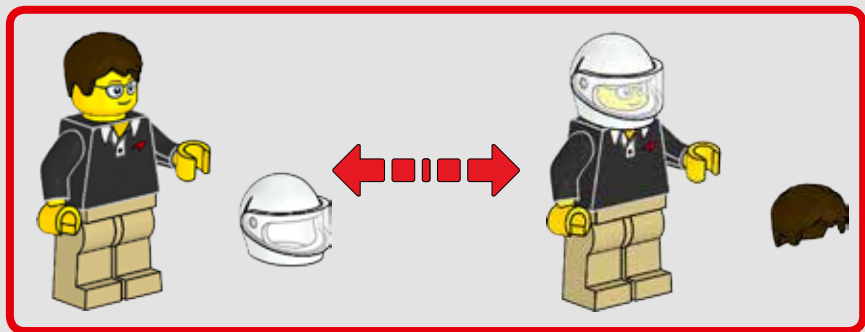
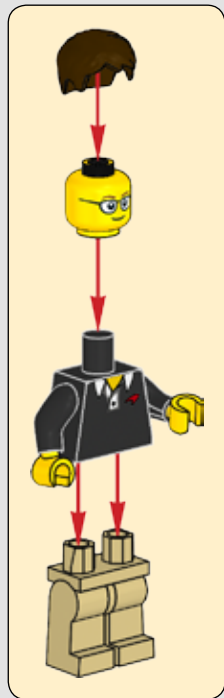
75880

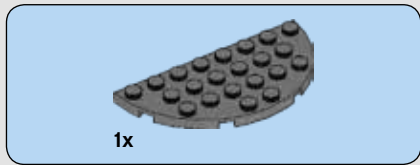


 [LEGO.com/speedchampions](https://www.LEGO.com/speedchampions)

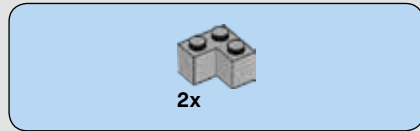




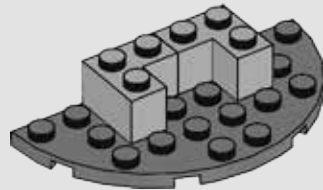




1



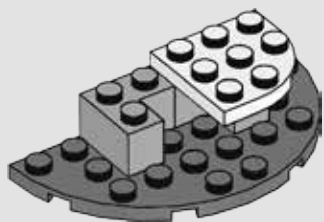
2





1x

3



1x

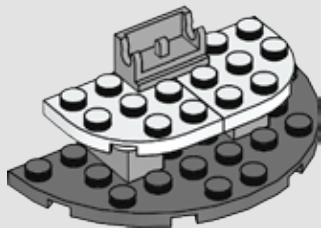
4





1x

5

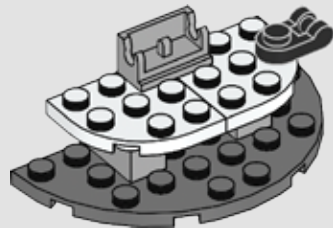


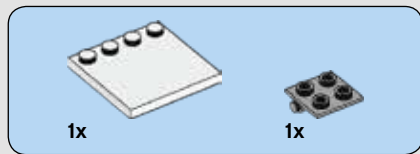
6



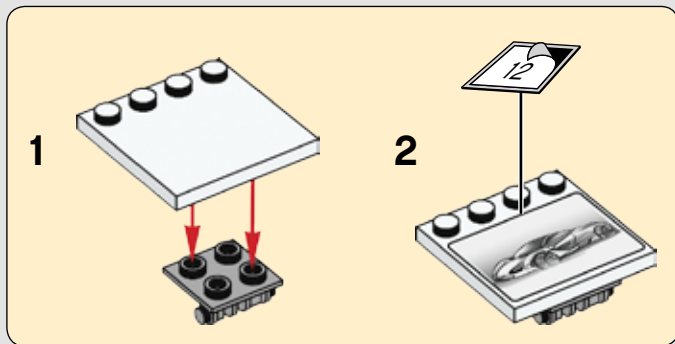
1x

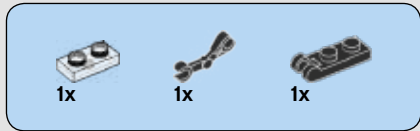
6



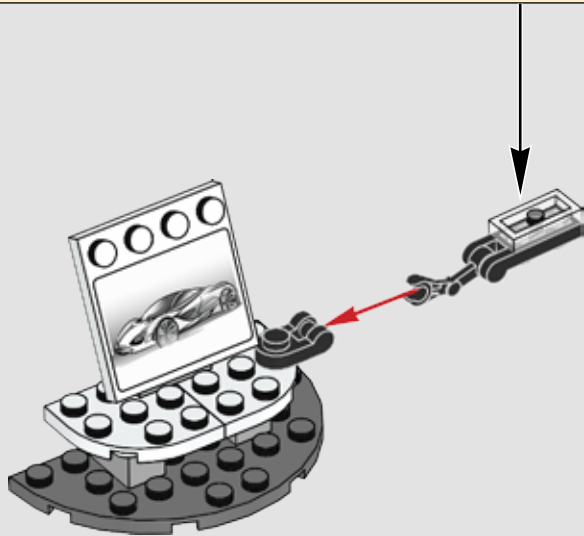
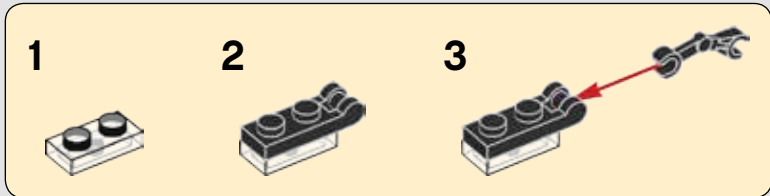


7



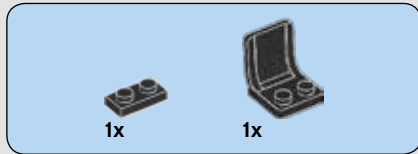
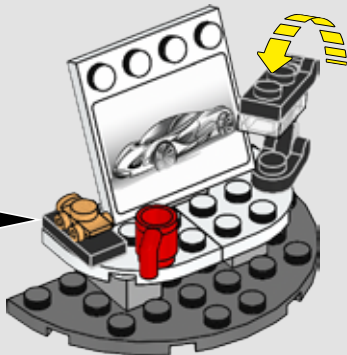


8

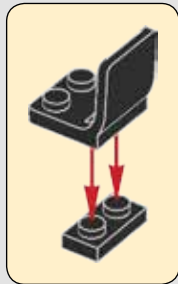


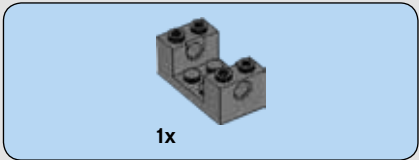


9

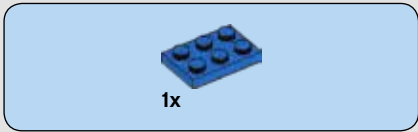
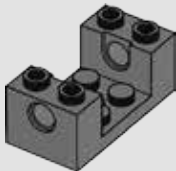


10

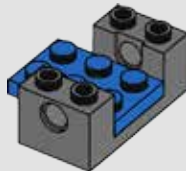


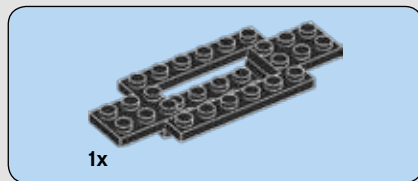


1

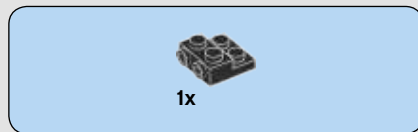
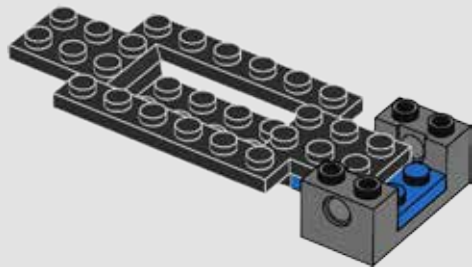


2

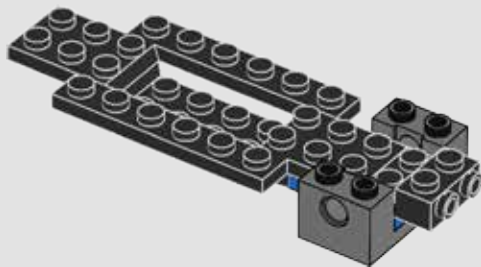




3



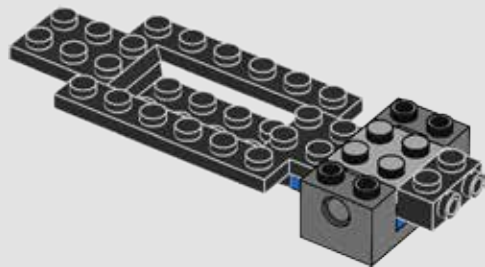
4





1x

5

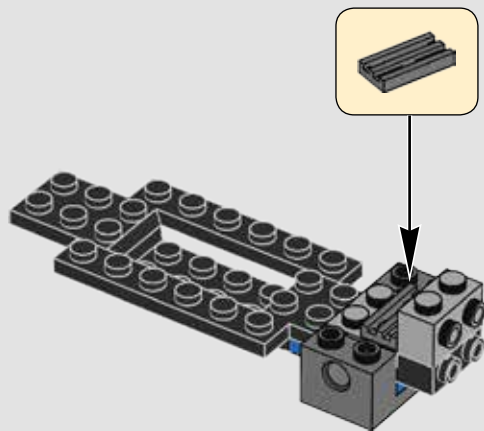


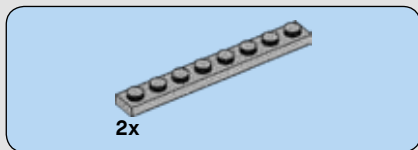
1x



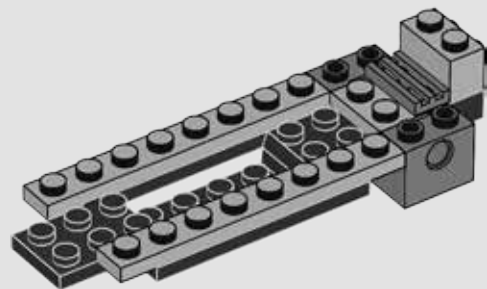
1x

6

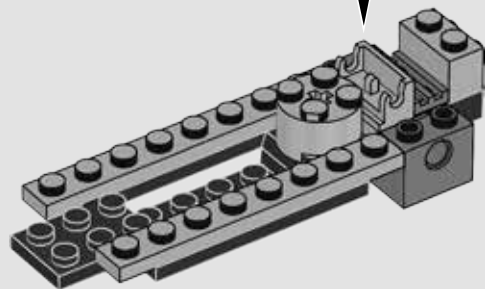
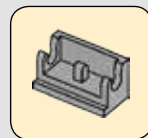




7



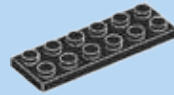
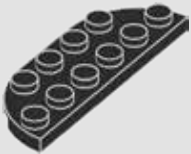
8





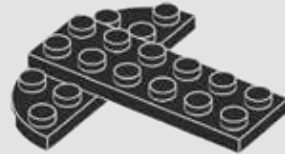
1x

9



1x

10



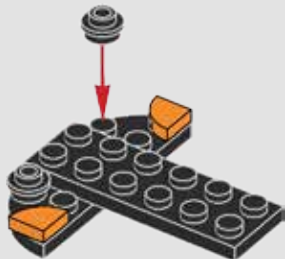


2x



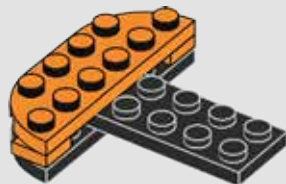
2x

11



1x

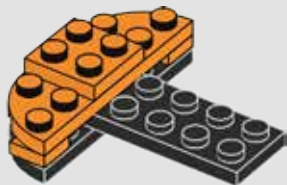
12





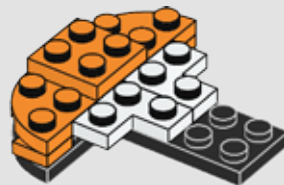
1x

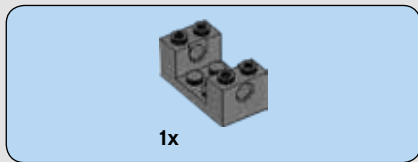
13



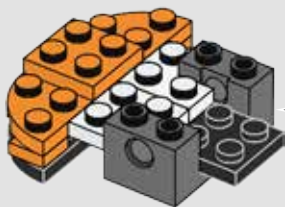
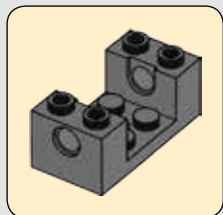
2x

14

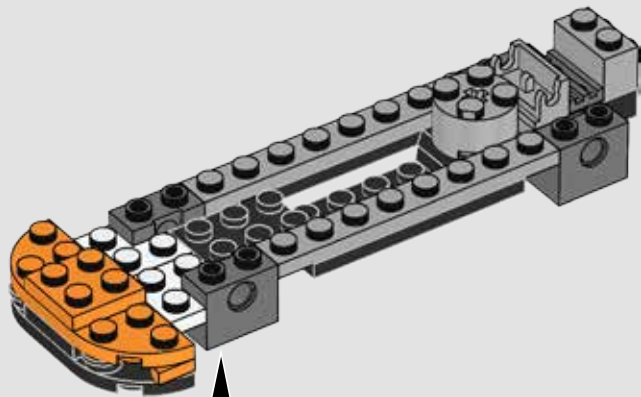


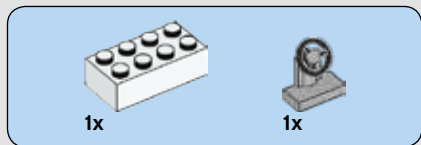


15

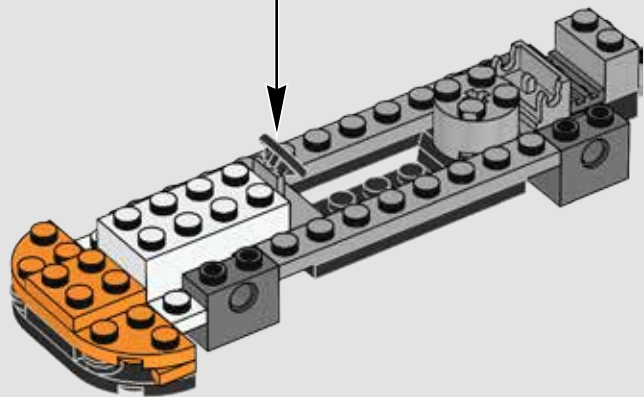
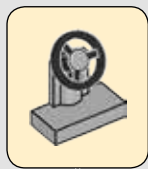


16

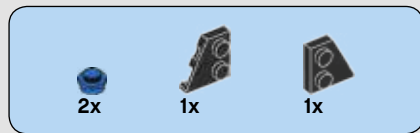




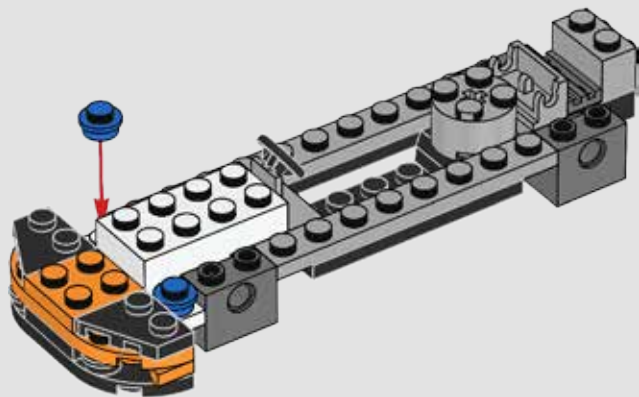
17



18

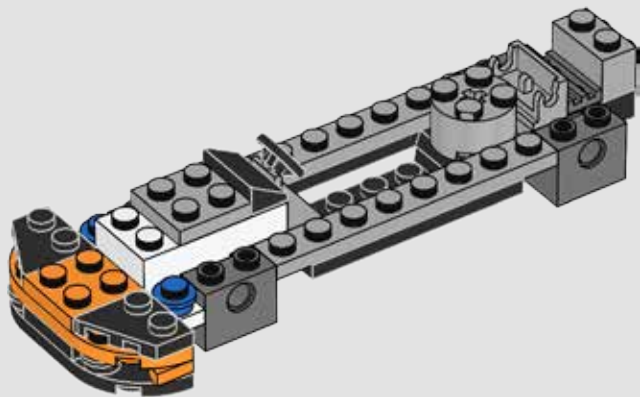


18

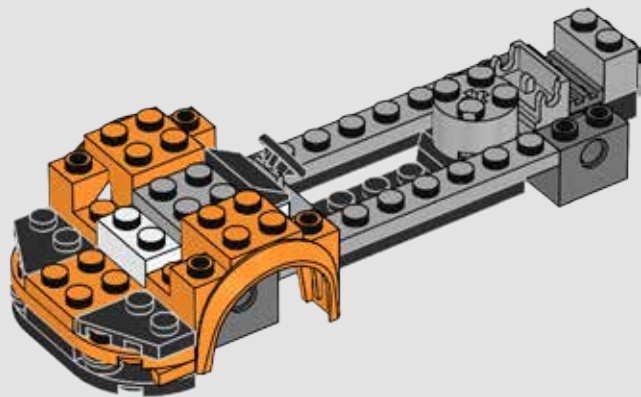




19



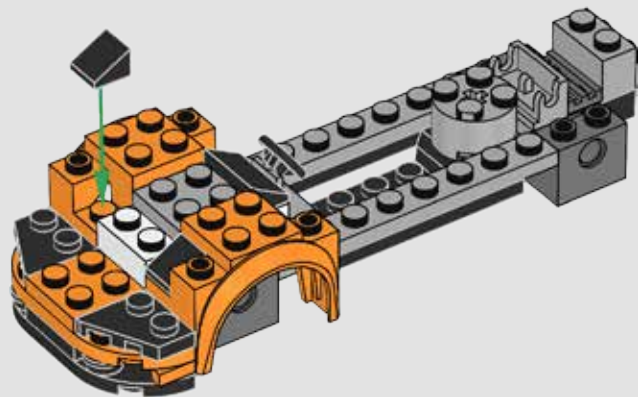
20





2x

21



20

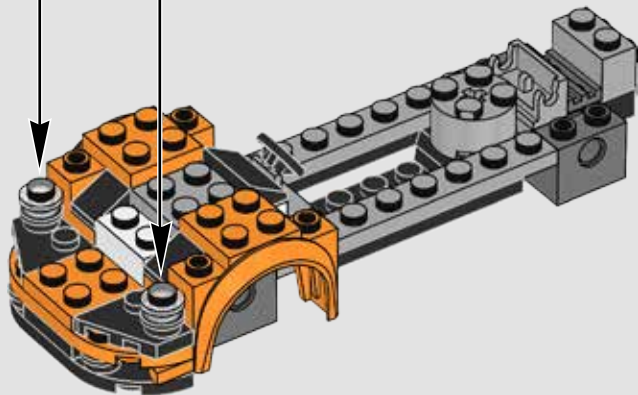
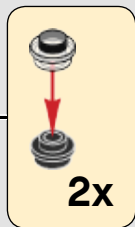


2x



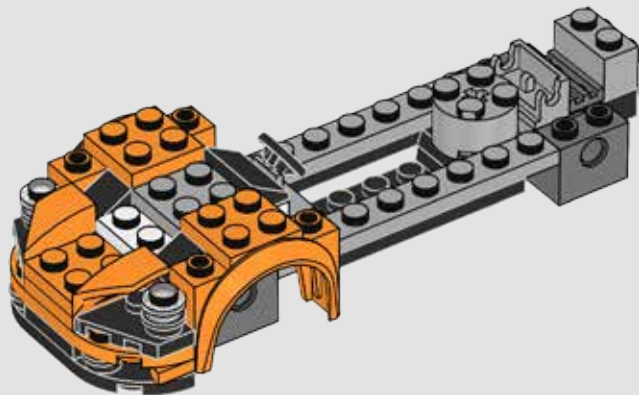
2x

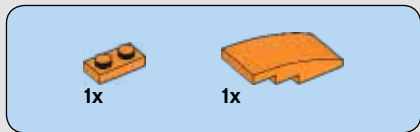
22



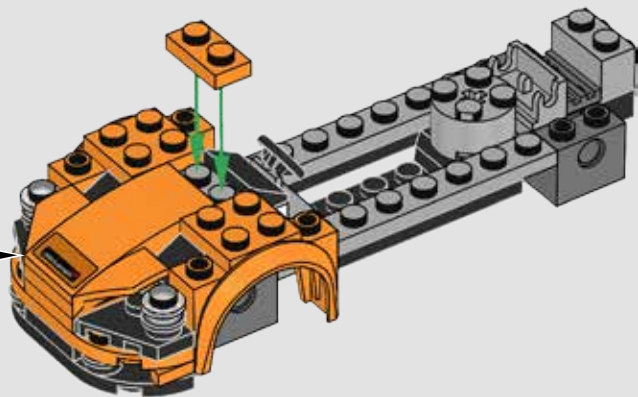
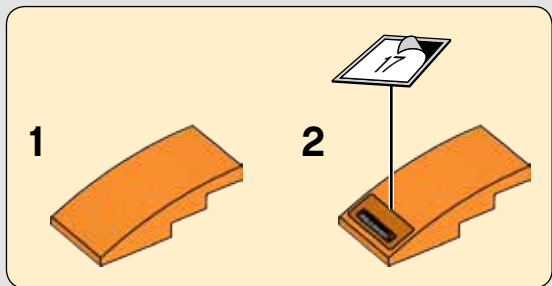
1x

23





24



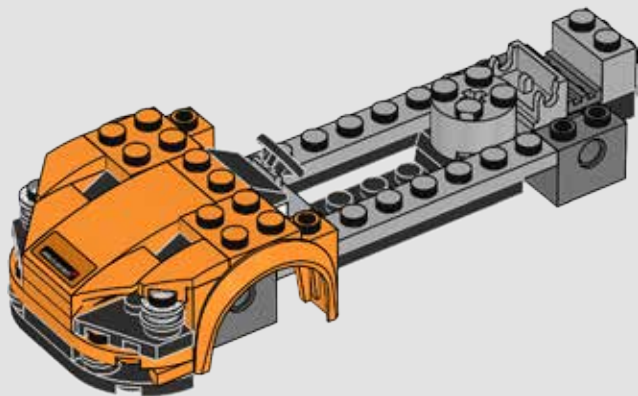


1x



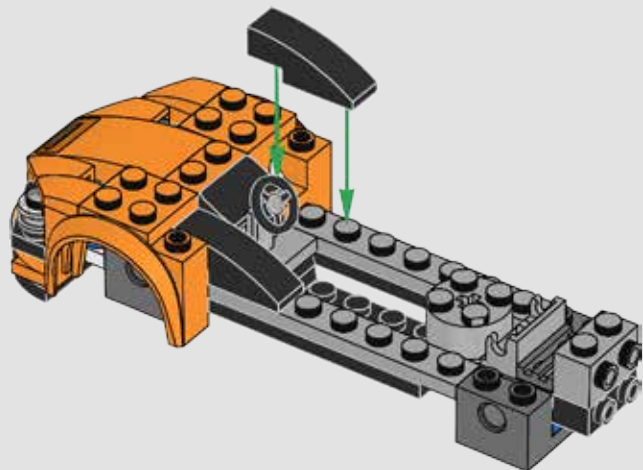
1x

25



2x

26



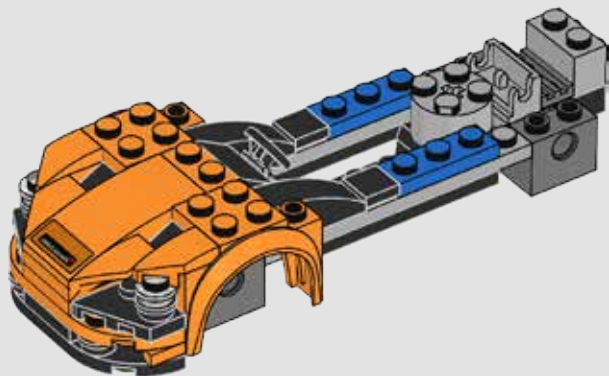


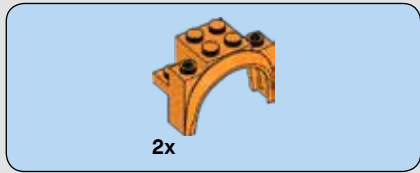
2x



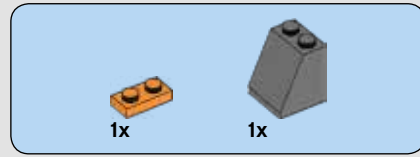
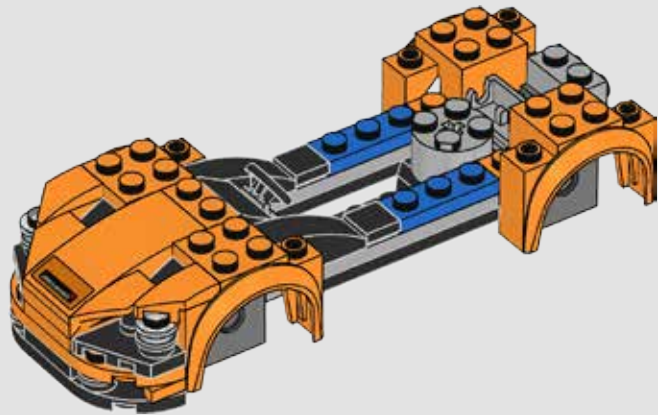
2x

27

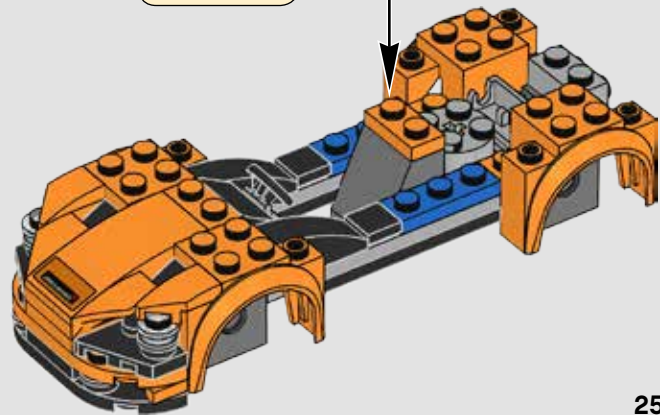
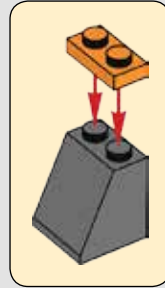




28



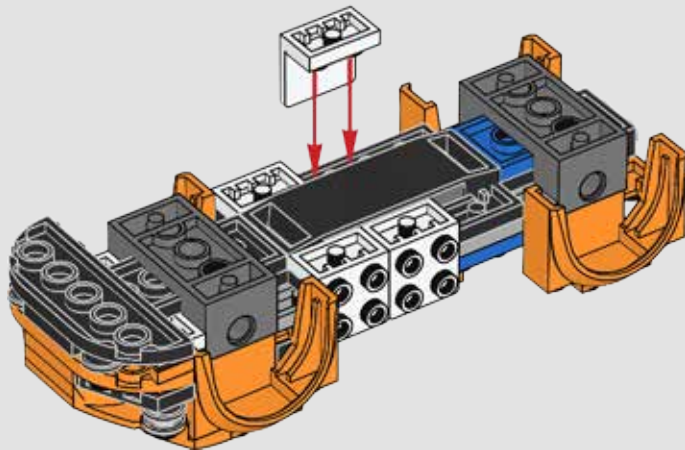
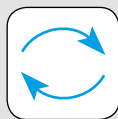
29





4x

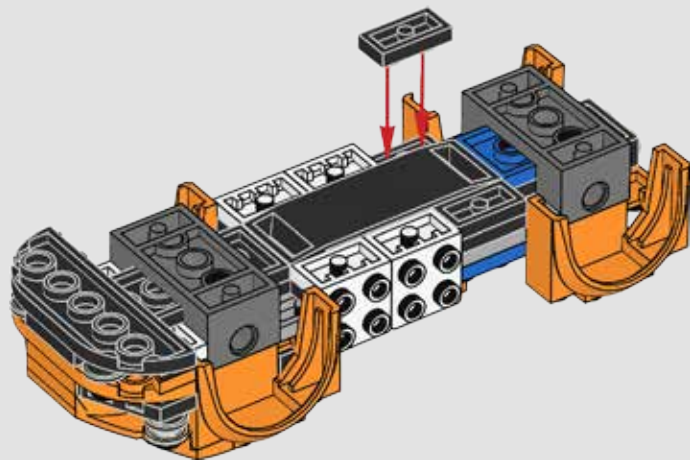
30

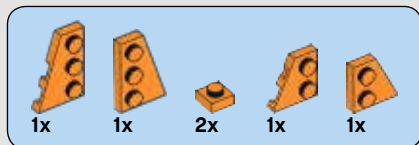




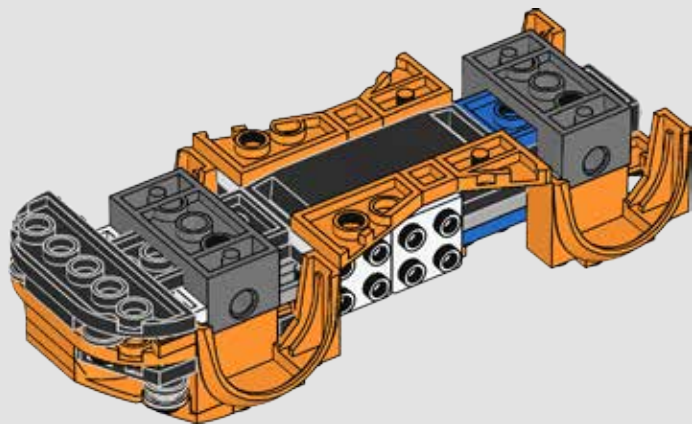
2x

31



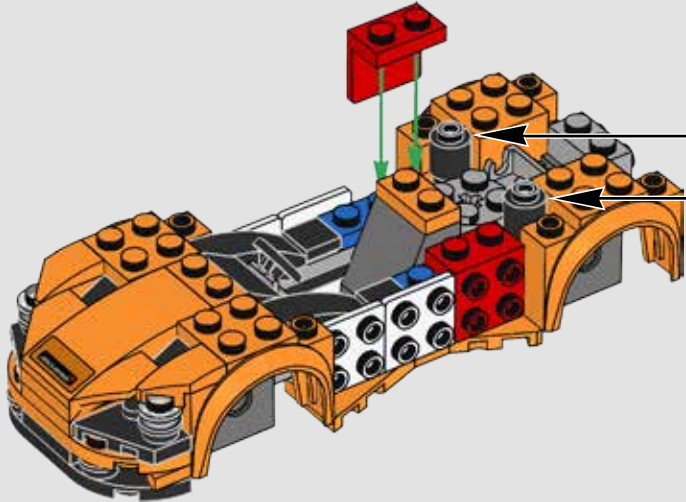


32





33





2x

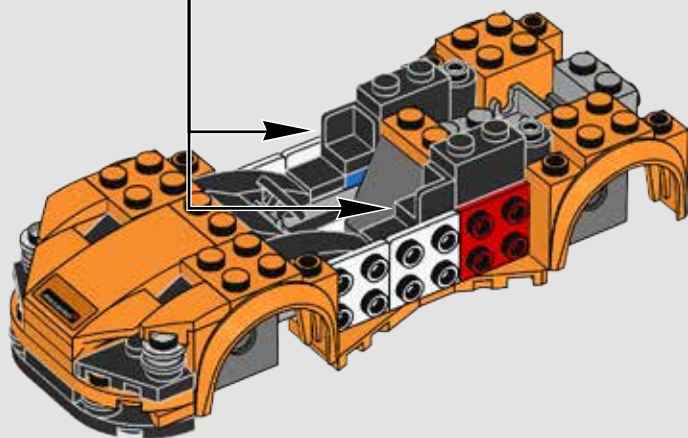


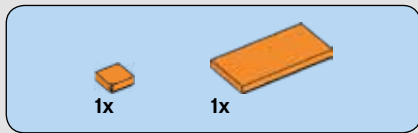
2x

34

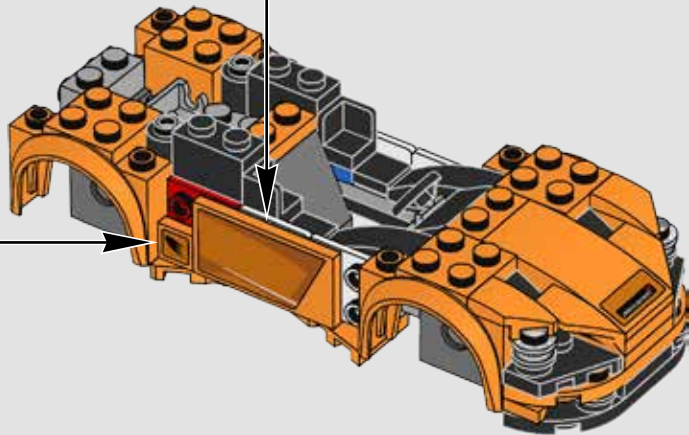
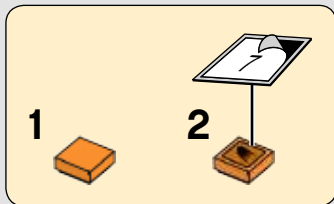
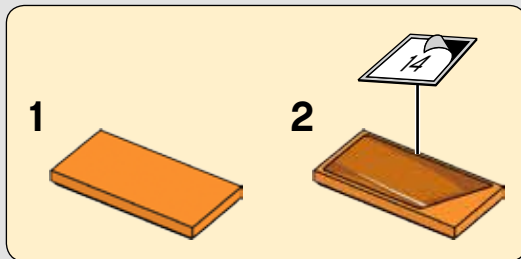
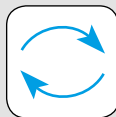


2x





35



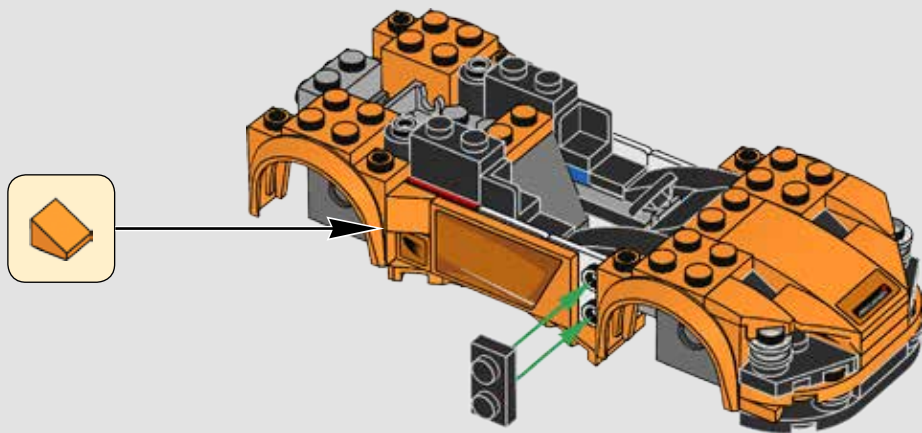


1x



1x

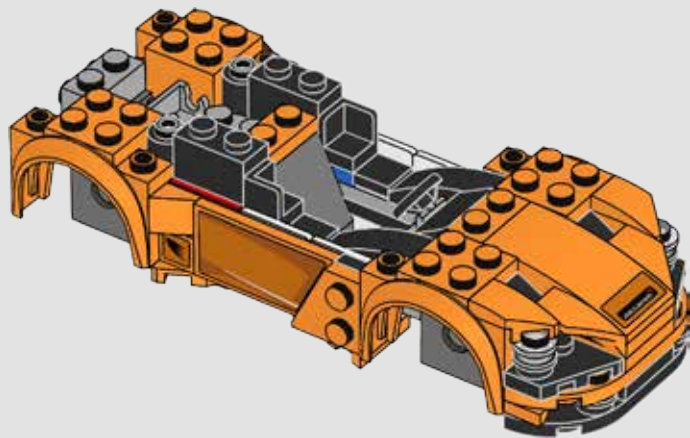
36

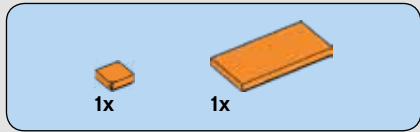




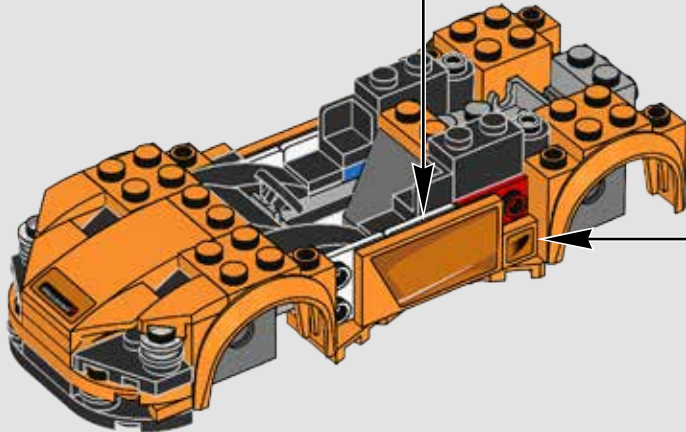
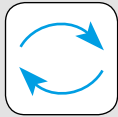
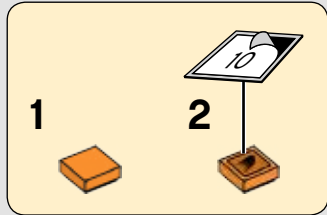
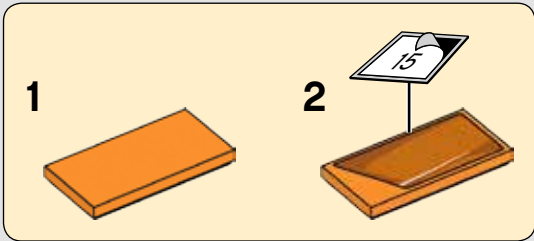
1x

37





38



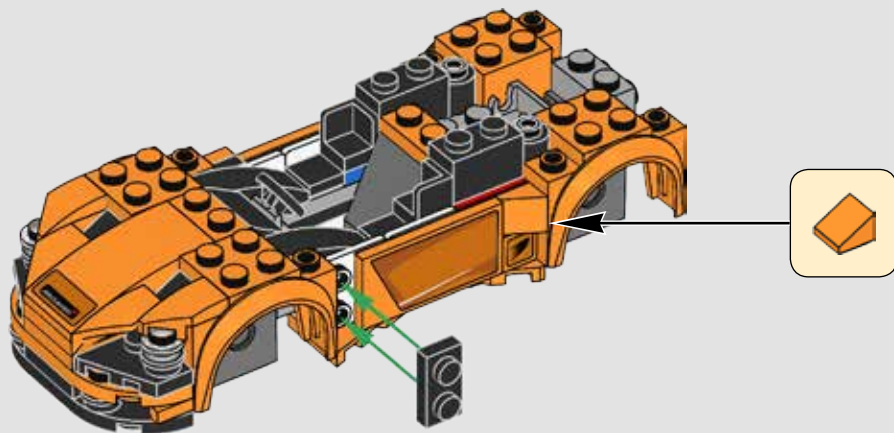


1x



1x

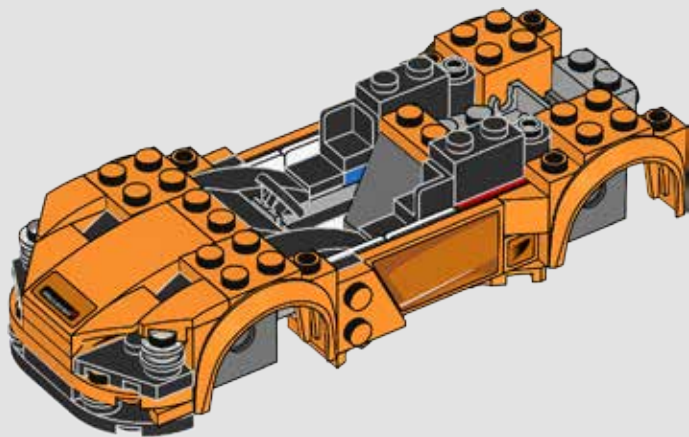
39





1x

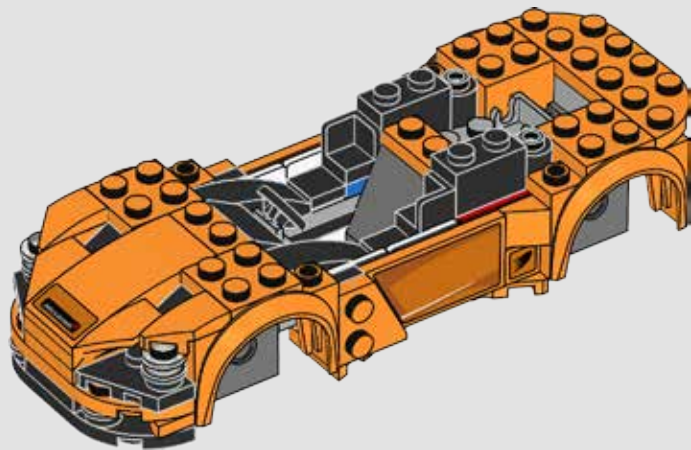
40

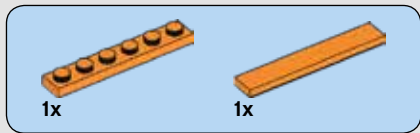




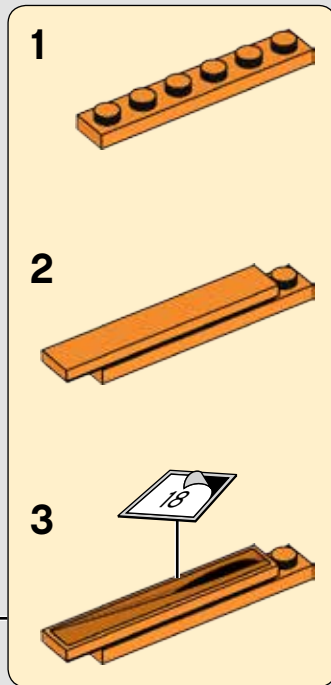
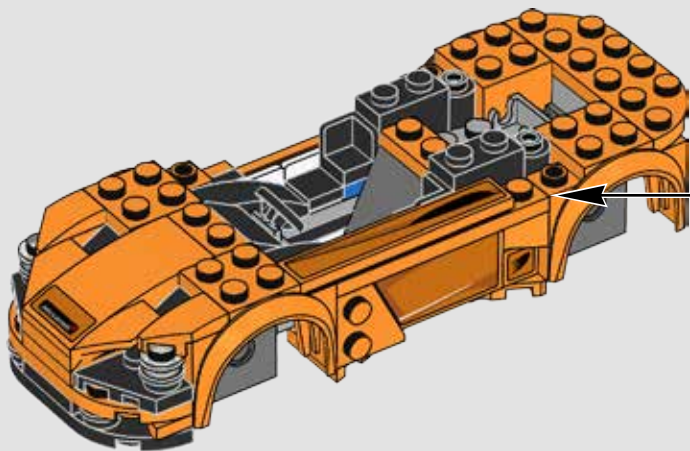
1x

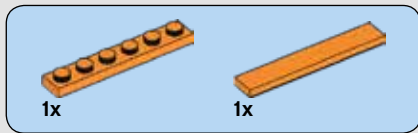
41



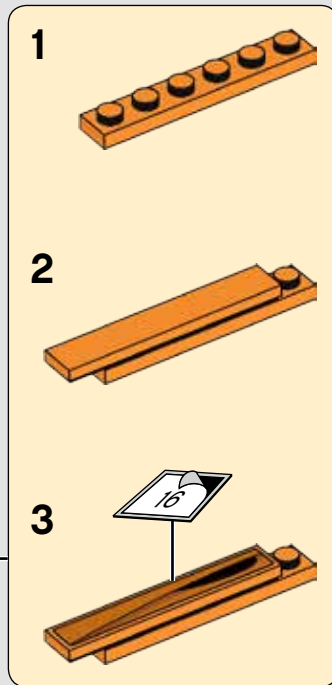
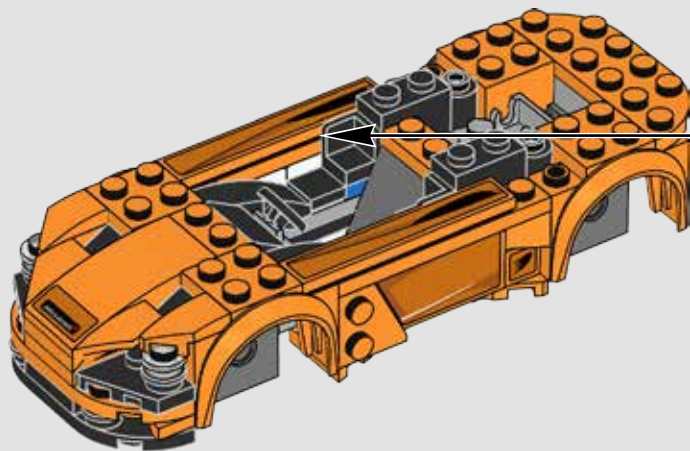


42





43





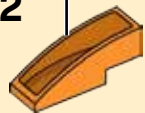
2x

44

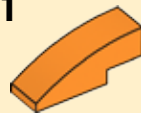
1



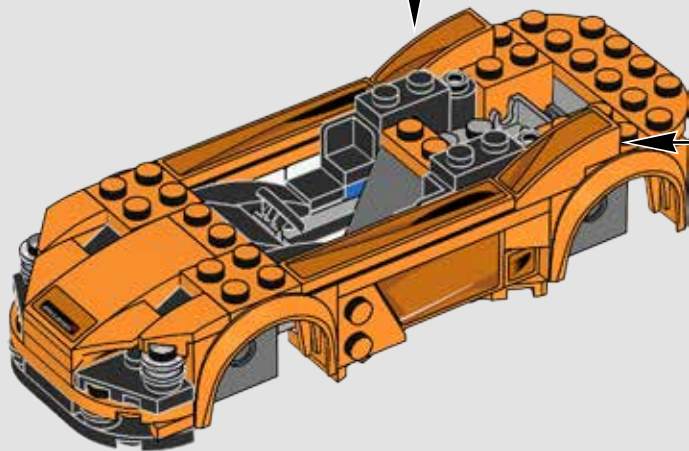
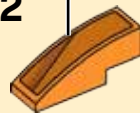
2

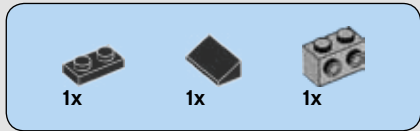


1

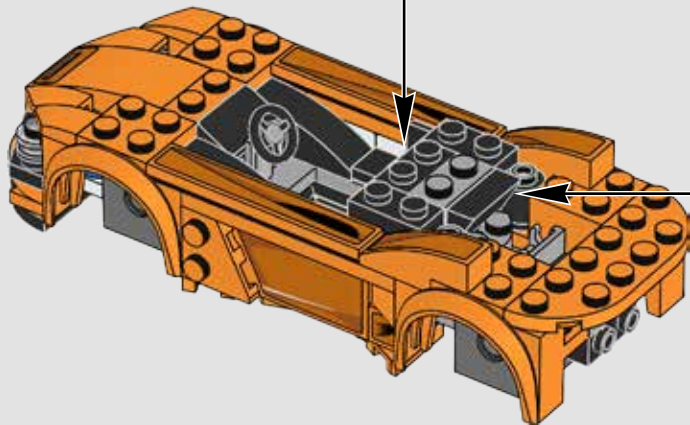
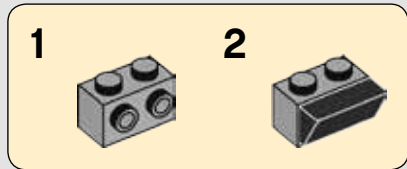


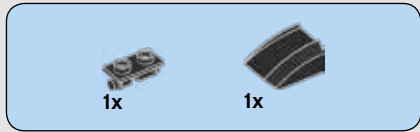
2



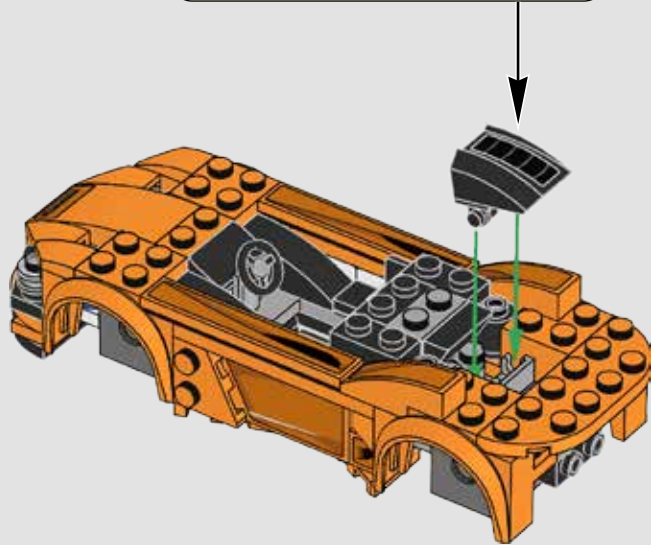
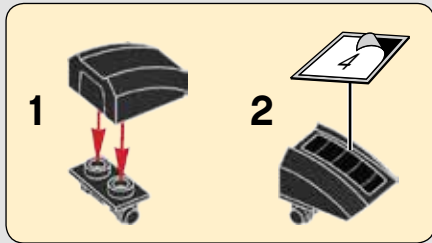


45





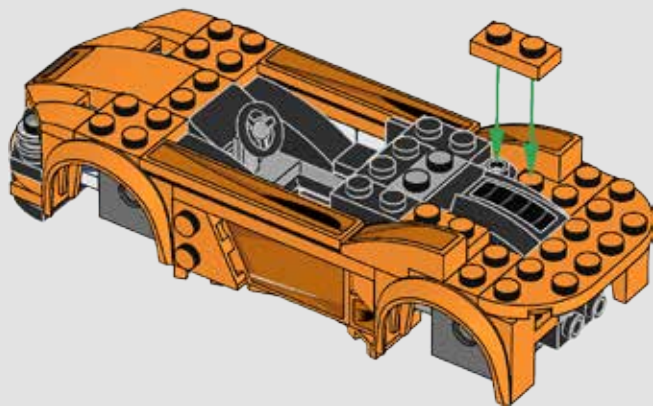
46





2x

47

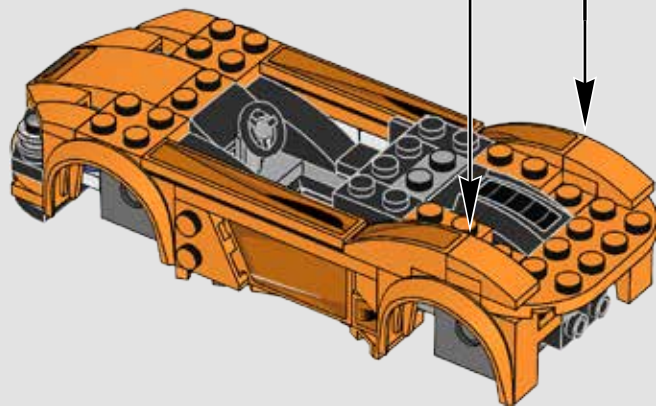


2x



2x

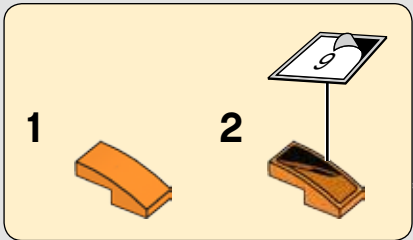
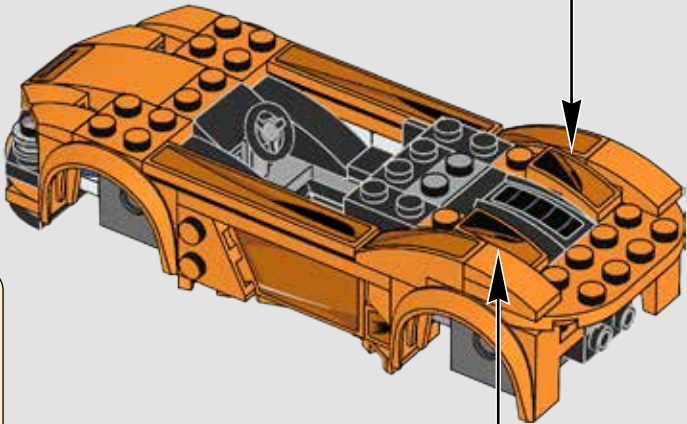
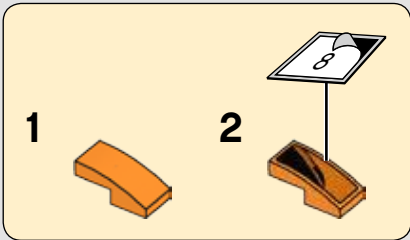
48



2x



49



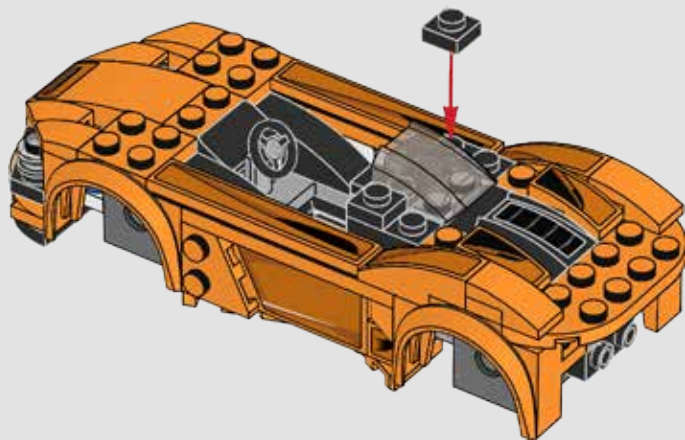


2x



1x

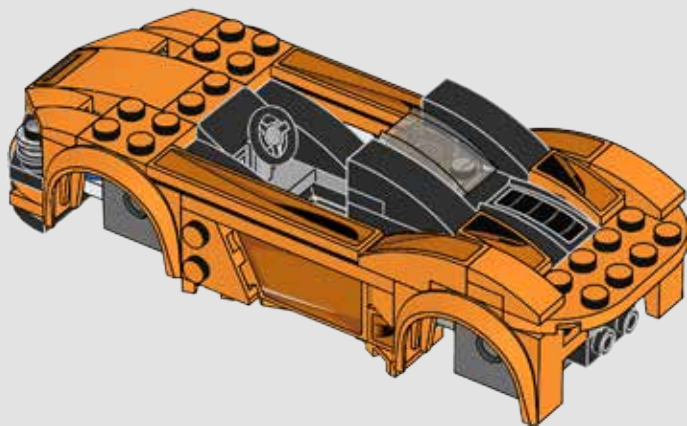
50





2x

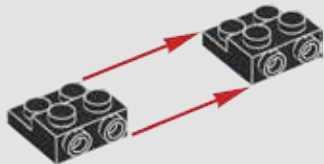
51





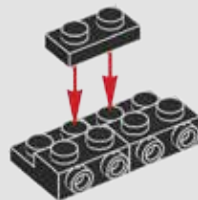
2x

52



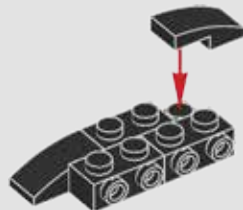
1x

53

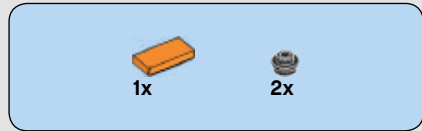
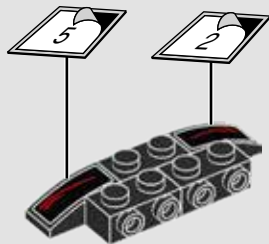


2x

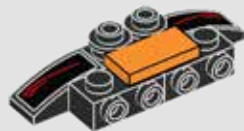
54



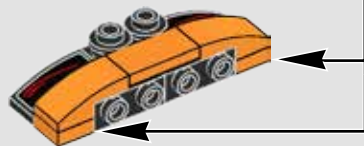
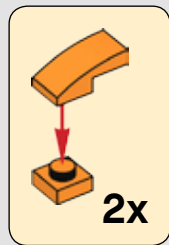
55



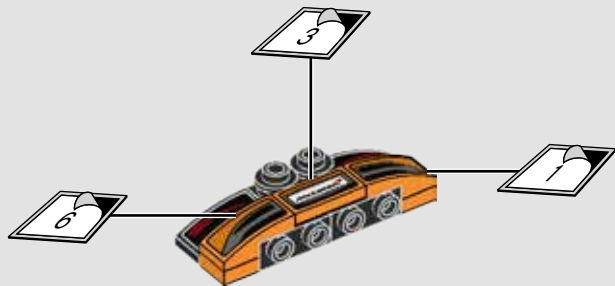
56



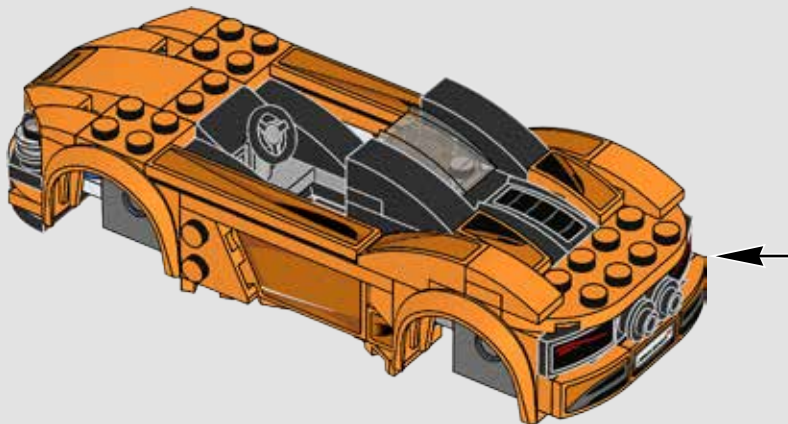
57



58

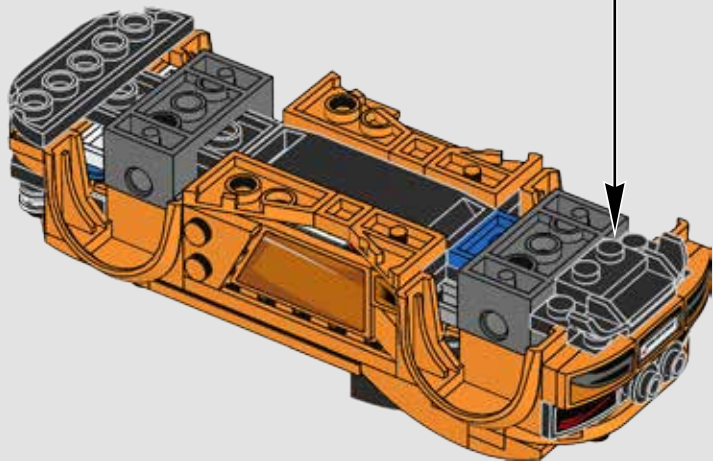
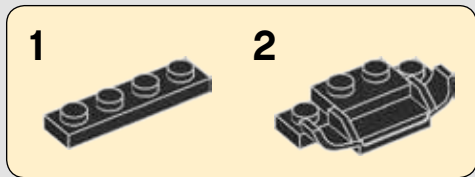
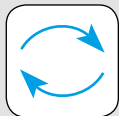


59



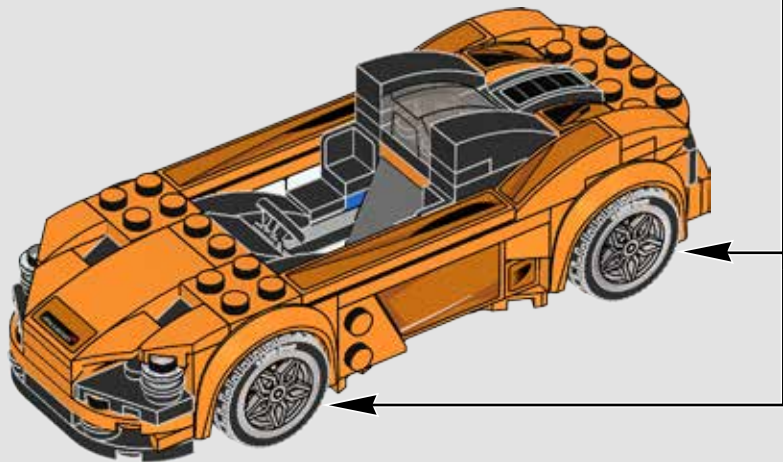
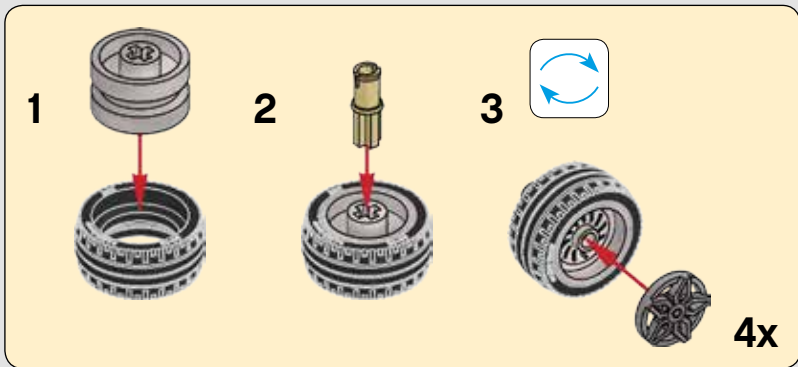
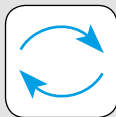


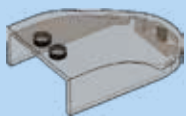
60





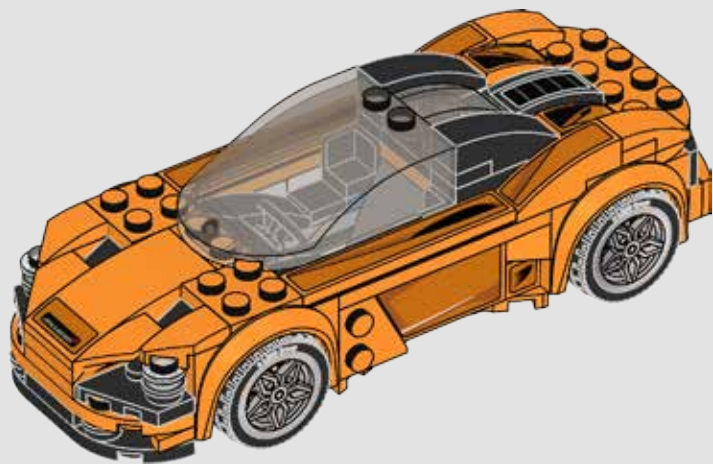
61



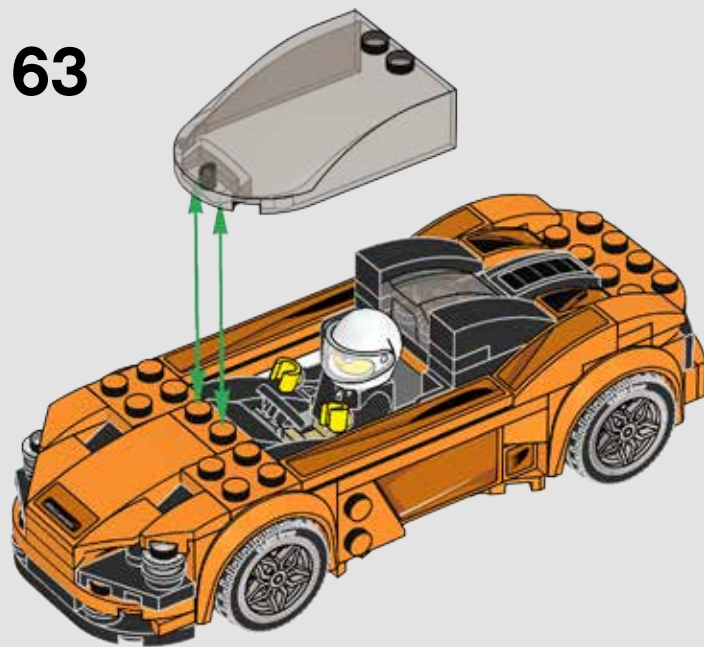


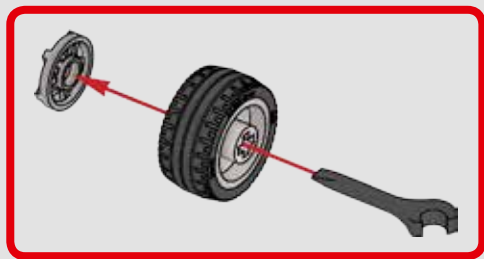
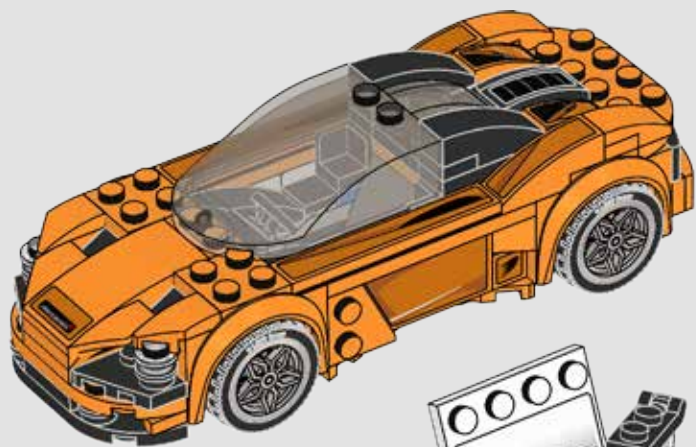
1x

62



63







SPEED CHAMPIONS



WATCH COOL VIDEOS AT LEGO.COM/SPEEDCHAMPIONS



AMG
PETRONAS
FORMULA ONE TEAM

The Bugatti logo and Bugatti wordmark are trademarks of Bugatti International S.A. and are used under license. Produced under license of Ferrari S.p.A. The name FERRARI, the PRANCING HORSE device, all associated logos and distinctive designs are property of Ferrari S.p.A. The body designs of the Ferrari cars are protected as Ferrari S.p.A. property under design, trademark and trade dress regulations. Ford Motor Company Trademarks and Trade Dress used under license to the LEGO Group. "Mercedes-Benz" and the design of the enclosed product are subject to intellectual property protection owned by Daimler AG. They are used by The LEGO Group under license. Manufactured under licence from Mercedes-Benz Grand Prix Limited. All logos featured on the livery and tyres are used with the permission of their respective owners all of whom reserve their respective rights in the same. LEGO and the LEGO logo are trademarks of the LEGO Group. ©2017 The LEGO Group.

Watch cool videos at LEGO.com/speedchampions
Cooler Videos gibt es auf LEGO.com/speedchampions
Regarde des vidéos super cool sur LEGO.fr/speedchampions
Guarda fantastici video su LEGO.it/speedchampions
Descubre fantásticos videos en: LEGO.com/speedchampions
Vé vídeos fantásticos em LEGO.com/speedchampions
Nézz menő videókat itt: LEGO.com/speedchampions
更多酷炫视频, 请登录 LEGO.com/speedchampions



SPEED CHAMPIONS



75881



75877



75882



75879



75878



75883





All your LEGO® fun in one app



Minifigure yourself



Create



Share



Download on the App Store



GET IT ON Google play

Check availability of LEGO LIFE in your country now on LEGO.com/life
Ask parents' permission first.

Controlla la disponibilità di LEGO LIFE nel tuo paese su LEGO.com/life
Chiedere prima il permesso ai genitori.

Apple and the Apple logo are trademarks of Apple Inc., registered in the U.S. and other countries. App Store is a service mark of Apple Inc. Google Play is a trademark of Google Inc.

Auf LEGO.com/life erfährst du jetzt, ob LEGO LIFE in deinem Land verfügbar ist
Bitte frage erst deine Eltern um Erlaubnis.

Consulta si LEGO LIFE está disponible en tu país en LEGO.com/life
Pide antes permiso a tus padres.

Ellenőrizd a LEGO LIFE elérhetőségét a lakóhelyeden, most a LEGO.com/life honlapon!
Először kérj engedélyt a szüleidtől!

Vérifie la disponibilité de LEGO LIFE dans ton pays sur LEGO.com/life
Demande d'abord l'autorisation d'un parent.

Verifica agora a disponibilidade de LEGO LIFE no teu país em LEGO.com/life
Pede primeiro permissão aos teus pais.

访问 LEGO.com/life 网站, 查看乐高生活系列是否已在你所在国家上线。先请求家长的许可。

LEGO, the LEGO logo, the Minifigure, the Brick and Knob configurations and the LIFE logo are trademarks of the LEGO Group. ©2017 The LEGO Group.



1x
4298609



1x
6112629



2x
3005740



2x
306226



6x
6168646



1x
6157554



1x
393826



4x
6102596



4x
6097637



1x
389921



1x
4626724



1x
6141556



2x
4504382



2x
4548180



3x
6052126



1x
4504187



2x
242001



2x
6117974



1x
4167842



7x
302326



2x
4106347



2x
300426



1x
4143875



1x
371026



2x
4550745



2x
614123



4x
4666579



1x
6175988



2x
302426



1x
4223247



1x
4515368



1x
6105963



1x
300101



2x
362323



1x
4107623



1x
6175988



2x
307026



1x
6092585



1x
407926



1x
379526



1x
617901



1x
302123



1x
4107623



1x
400626



1x
6141554



2x
6047276



4x
4251161



1x
4656764



1x
6054529



4x
4177932



1x
6177499



2x
4211397



1x
4211526



1x
6132266



1x
4535553



2x
4648853



2x
6173928



2x
6173925



2x
4211349



2x
4211469



1x
4217722



1x
4210631



4x
6102590



2x
6173933



2x
4558595



2x
4504371



2x
6015344



1x
6102582



1x
4234534



2x
6173923



1x
6177490



6x
4524929



6x
6055069



1x
4226995



4x
6102594



2x
6150297



2x
4173332



1x
4180512



2x
4251969



1x
4188771



1x
4211881



1x
6172403



1x
6141856



2x
4650690



1x
4180540



1x
4582819



1x
4159007



2x
4211425

Customer Service

Kundenservice

Service Consommateurs

Servicio Al Consumidor

LEGO.com/service or dial



: 00800 5346 5555

: 1-800-422-5346

WIN

GO TO WWW.LEGO.COM/PRODUCTFEEDBACK AND
GIVE US YOUR SHORT **FEEDBACK** ABOUT THIS
LEGO® SET FOR A CHANCE TO WIN
A COOL LEGO PRIZE.

Terms & Conditions apply



LEGO.com/productfeedback

GEWINNE

Erzähle uns auf
www.LEGO.com/productfeedback

etwas über die Erfahrungen, die du mit
diesem LEGO® Set gemacht hast, und
sichere dir die Chance auf einen coolen
LEGO Preis!

Es gelten die Teilnahmebedingungen

GAGNE

Rends-toi sur
www.LEGO.com/productfeedback

et donne-nous quelques commentaires sur
ce produit LEGO® pour avoir une chance
de gagner un prix LEGO !

Voir Conditions Générales

GANAN

Visita
www.LEGO.com/productfeedback

y envíanos tu opinión acerca de este set
LEGO®. ¡Participarás en el sorteo de un
premio LEGO!

Términos y Condiciones aplicables

获取奖品

登录
www.LEGO.com/productfeedback

给出关于此乐高®套装的简短反馈，
就有机会获得炫酷乐高奖品

《条款及条件》适用

Manufactured under license from McLaren Automotive Limited. The McLaren name and logo are registered trademarks of McLaren.

LEGO and the LEGO logo are trademarks of the LEGO Group. ©2017 The LEGO Group.

6203889