



# NINJAGO

DRAGONS RISING



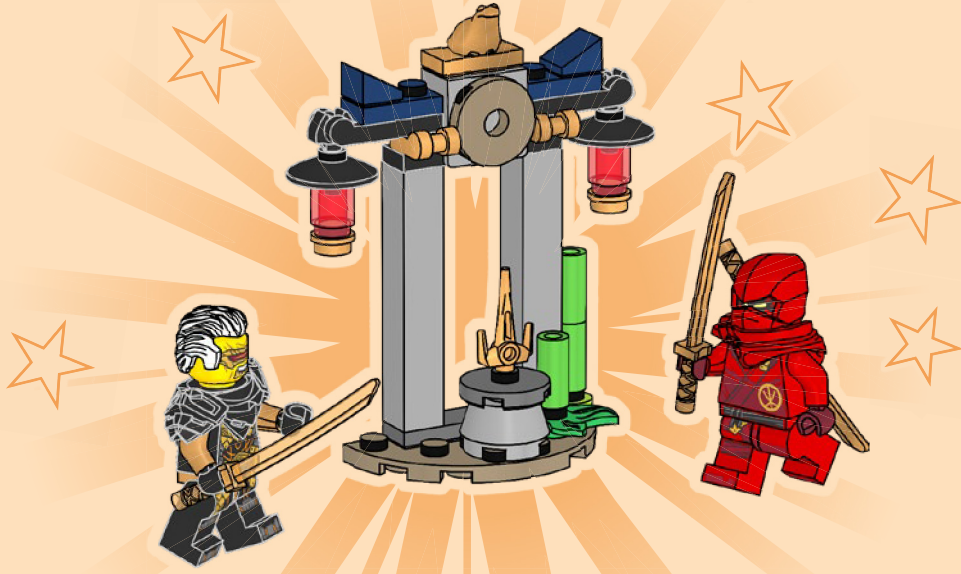
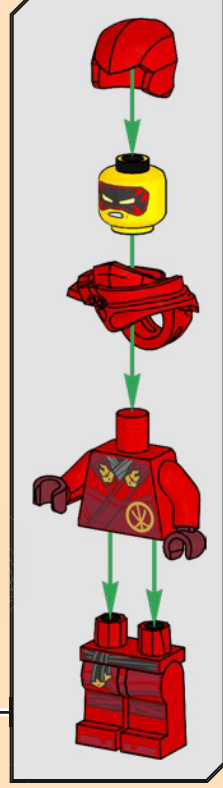
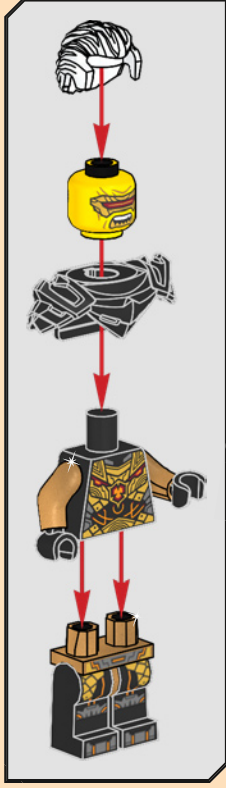
30650

6467029

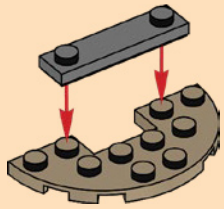


LEGO.com/service

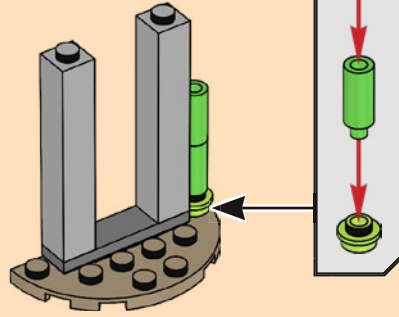
LEGO, the LEGO logo and NINJAGO are trademarks of the LEGO Group.  
©2023 The LEGO Group. 6467029



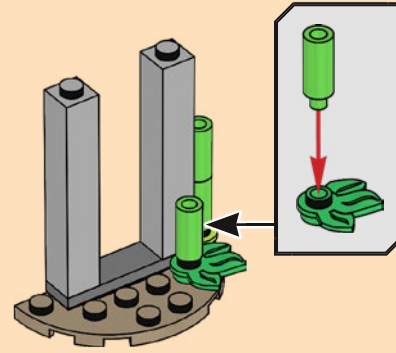
1



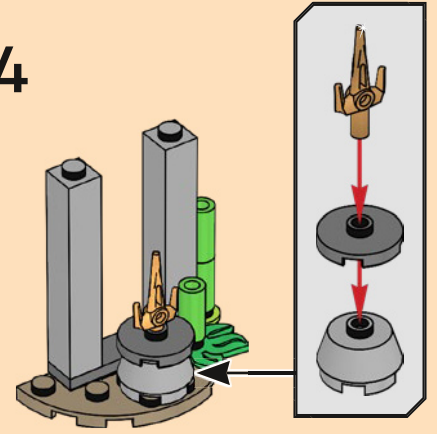
2



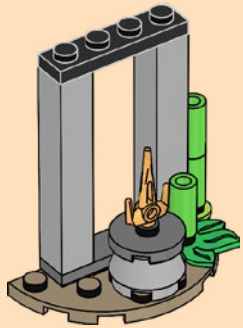
3



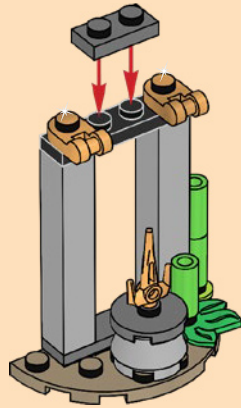
4



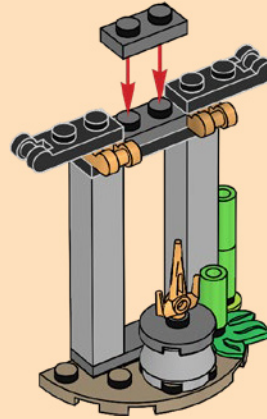
5



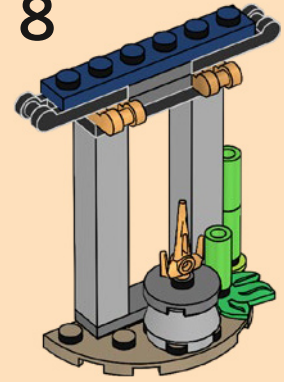
6



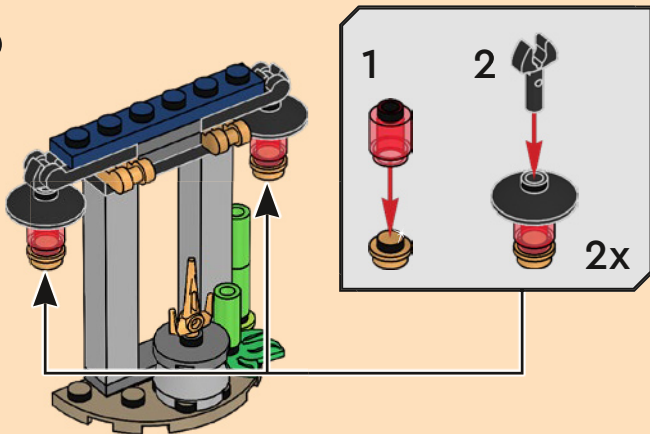
7



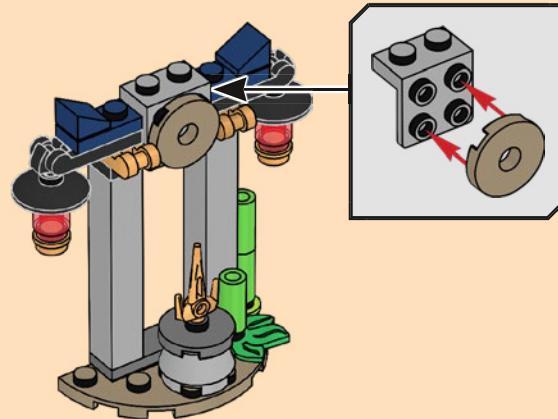
8



9



10



11

